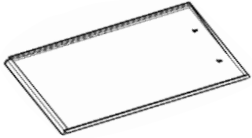
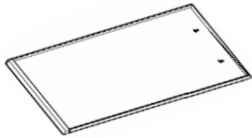
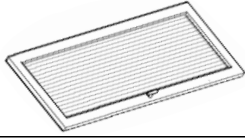
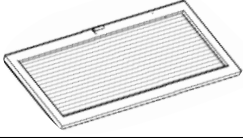
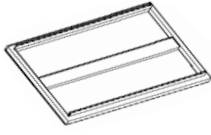
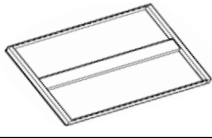
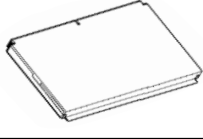
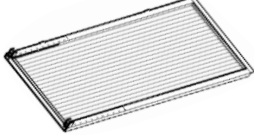
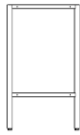






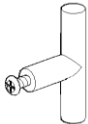




# Assembly Instructions

Please read this before you proceed

A		Backplane1	1pc
B		Backplane2	1pc
C		Left door	1pc
D		Right door	1pc
E		Top	1pc
F		Adjustable shelf	2pcs
G		Bottom	1pc
H		Side panel	2pcs
I		Foot	2pcs

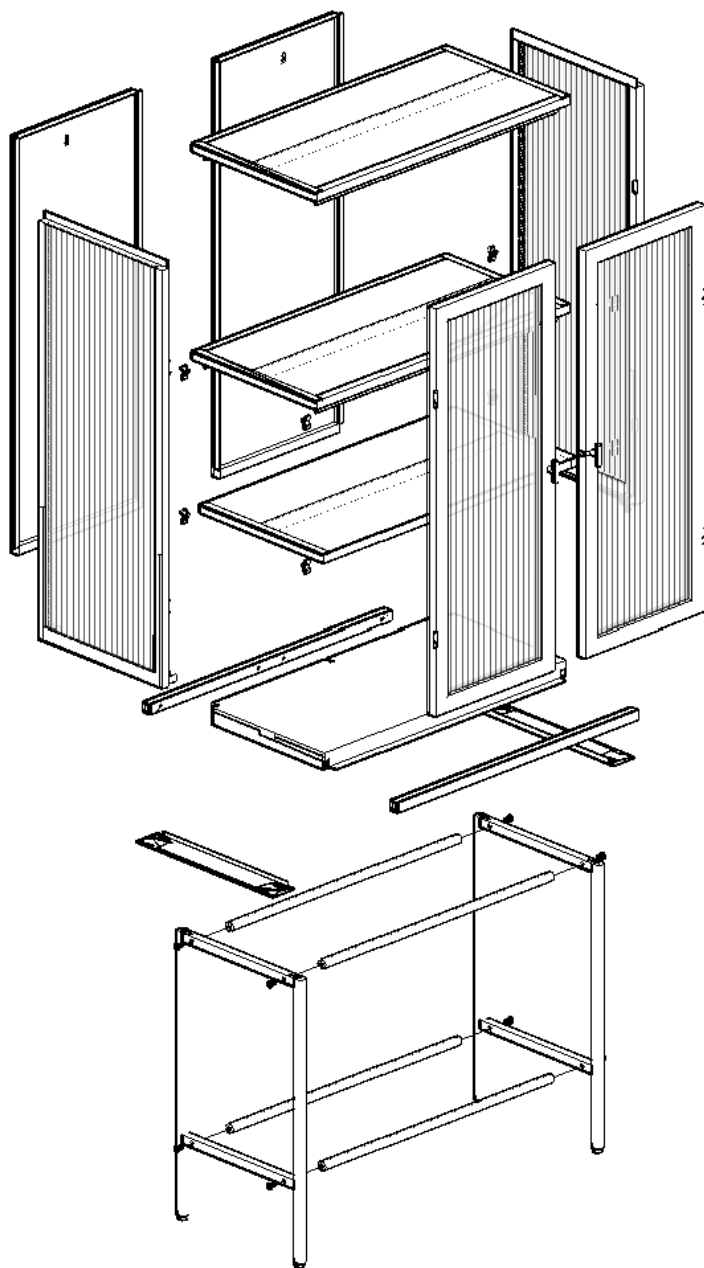
# Assembly Instructions

Please read this before you proceed

J		Square pull rod	2pcs
K		Pull rod	4pcs
L		M6*40screw	8pcs
M		Foot connector	2pcs
N		Handle with handle screw	2pcs
O		Expansion screw	2pcs
P		Hanging film	8pcs
Q		Self-tapping screw	30pcs
R		M6*16screw	12pcs

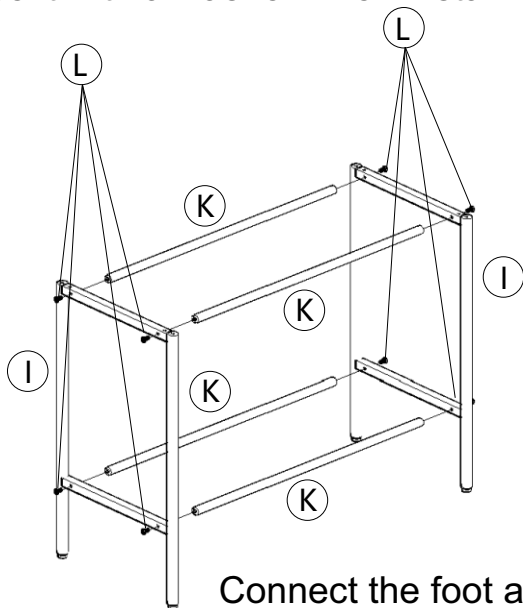
# Assembly Instructions

Explosion view



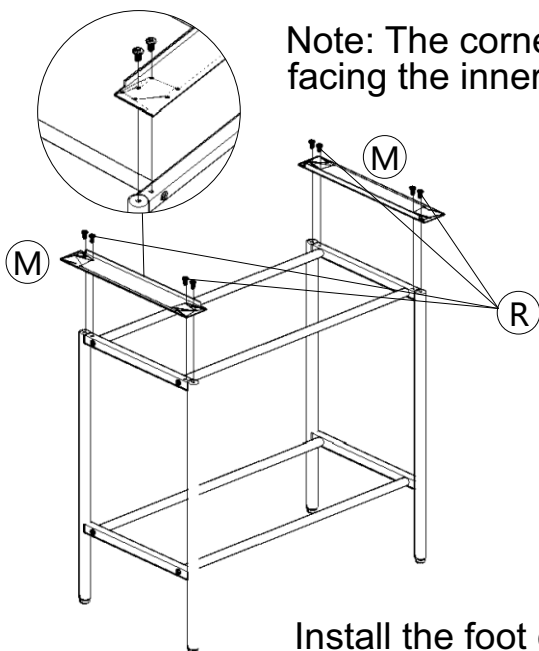
# Assembly Instructions

- ① Please use it with a washer when installing M5 screws.



Connect the foot and the pull rod.

②

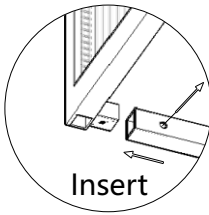


Note: The corner is facing the inner side.

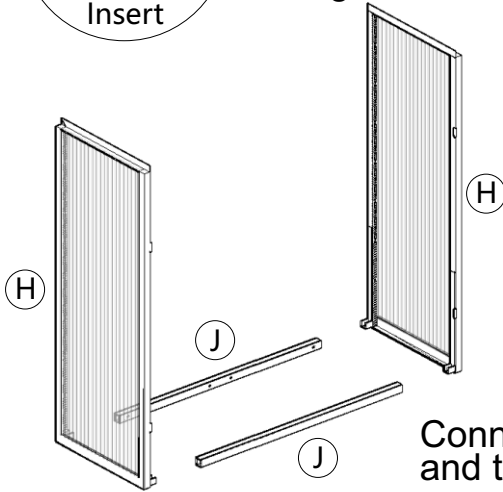
Install the foot connector.

# Assembly Instructions

3

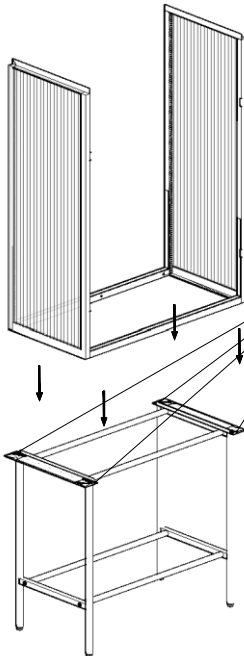


Insert and make sure that the hole of the square pull rod is facing inward.

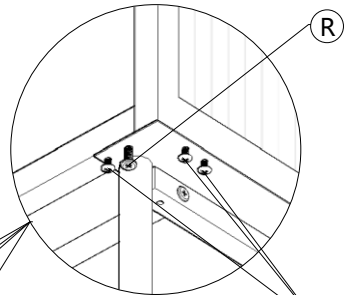


Connect the side panel and the square pull rod.

4



Bottom perspective

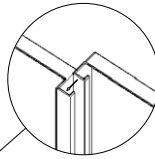


Install the four corners as shown in the figure above.

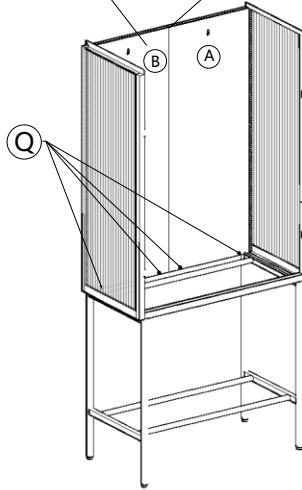
Connect the side panels and feet.

# Assembly Instructions

- 5** Make sure that the hanging hole is above when installing the backplate.

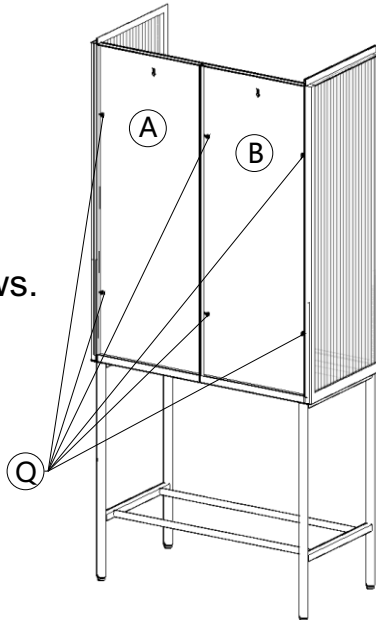


buckle  
installation



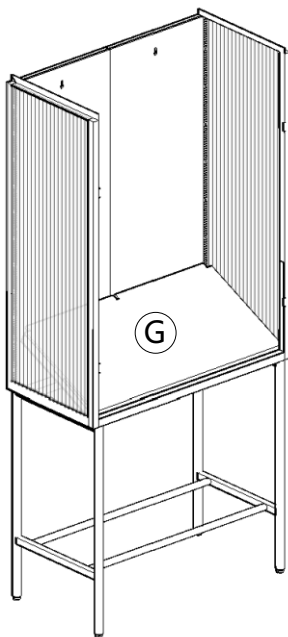
**6**

Install back screws.



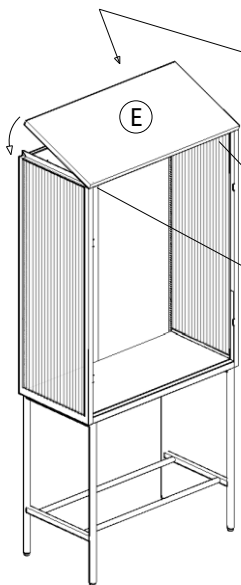
# Assembly Instructions

7

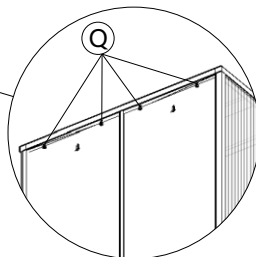


Install the bottom plate and make sure that the front part is inserted diagonally downward when installing.

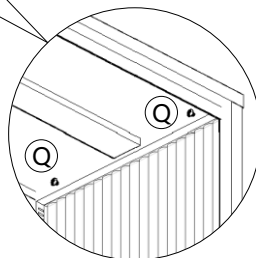
8



Install the top



Connect the screws on the back

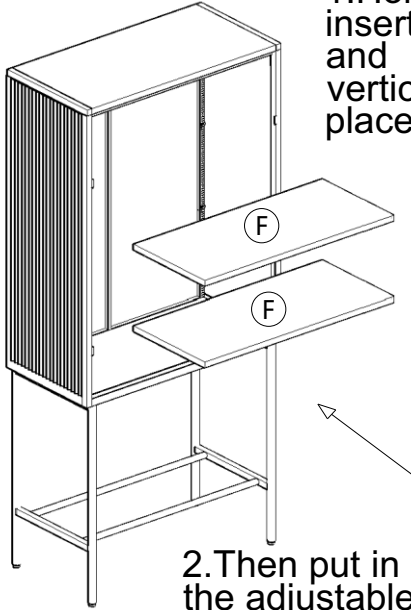


Connect the screws on both sides of the interior.

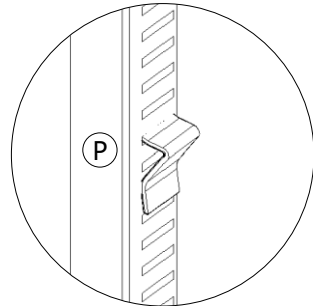
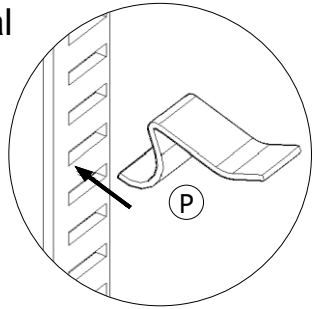
# Assembly Instructions

9

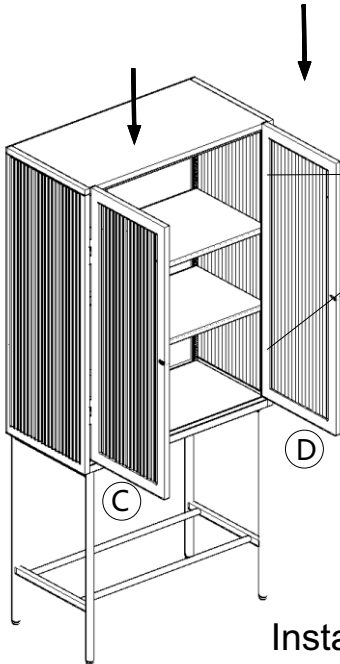
1. Horizontal insertion and vertical placement



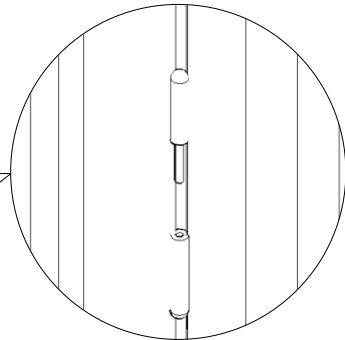
2. Then put in the adjustable shelf.



10



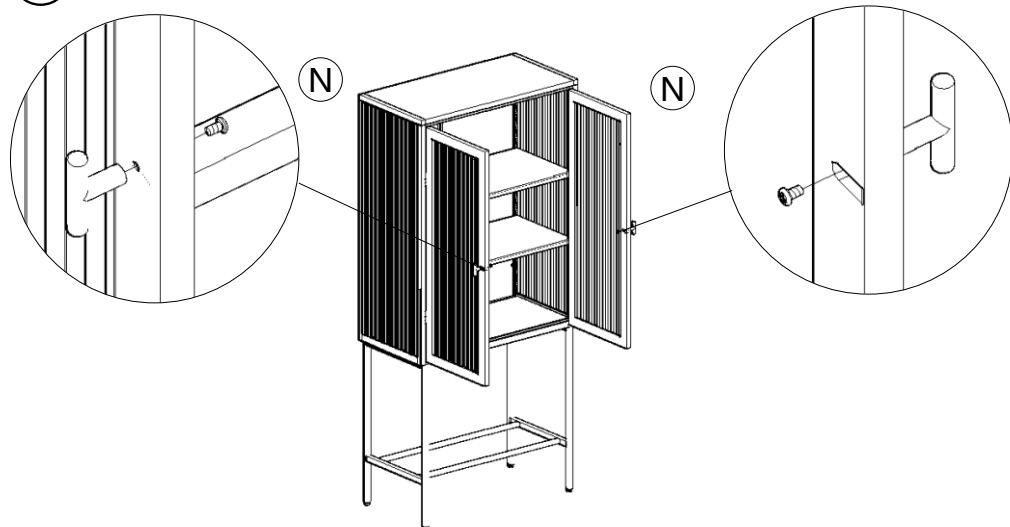
Insert the pin vertically downward.



Install cabinet doors.

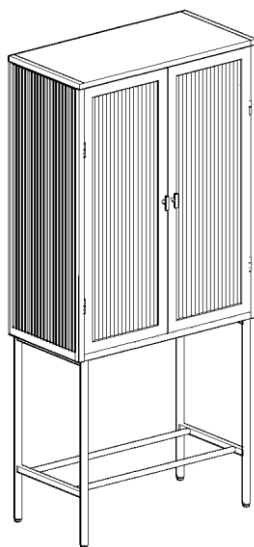
# Assembly Instructions

11



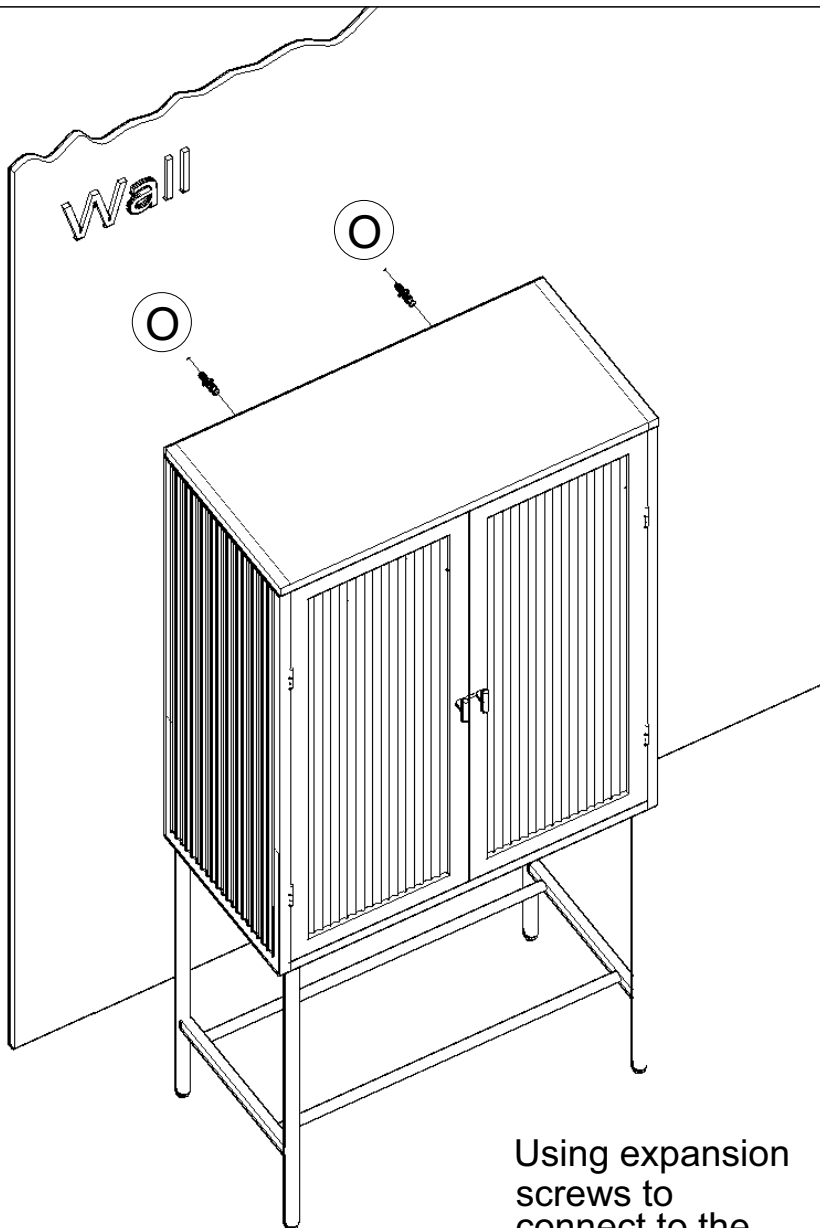
Use the handle screws  
to install the handle

12



# Assembly Instructions

13



Using expansion screws to connect to the wall can prevent dumping and make it stronger.