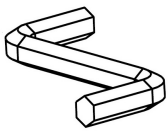
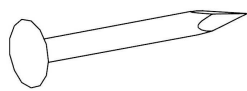
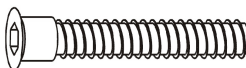

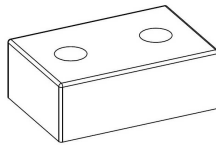
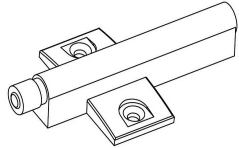
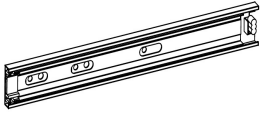
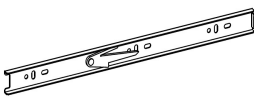
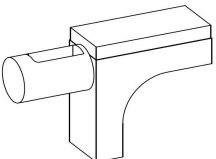
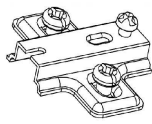
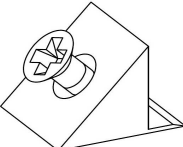
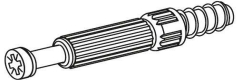
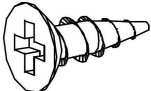
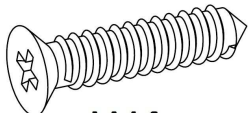


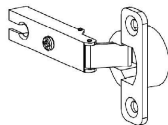
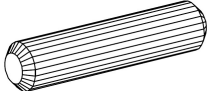
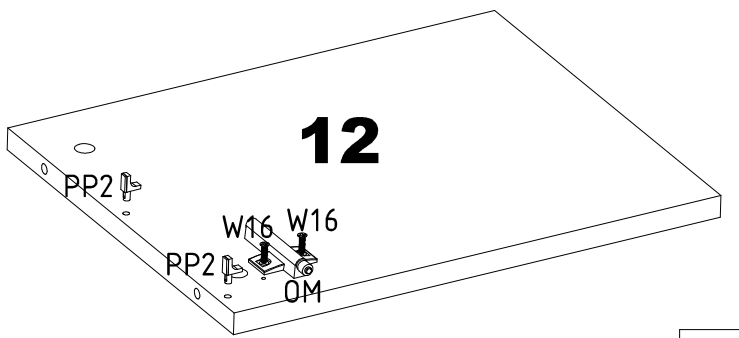
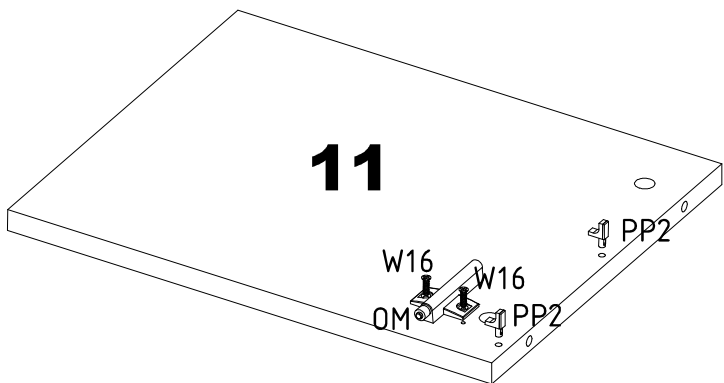
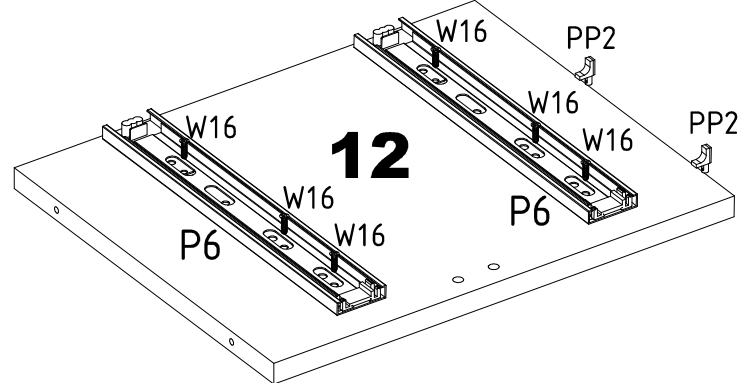
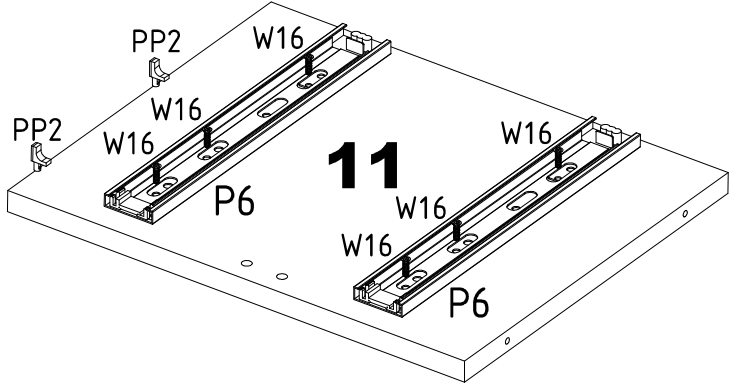
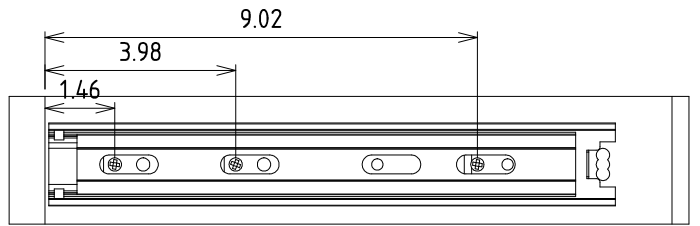
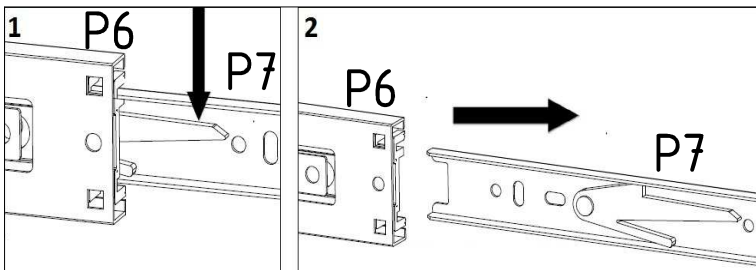
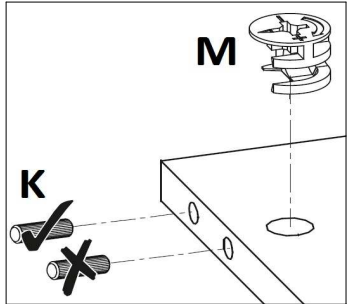
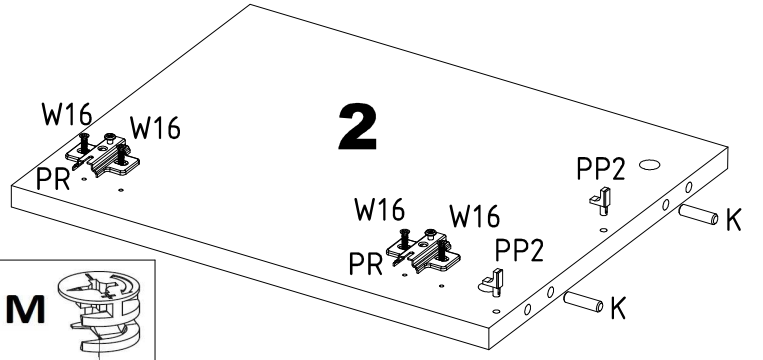
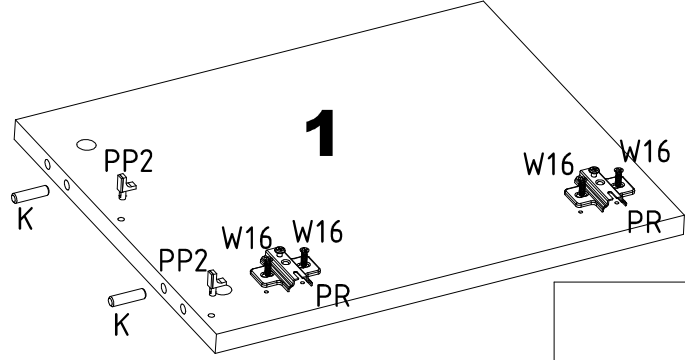
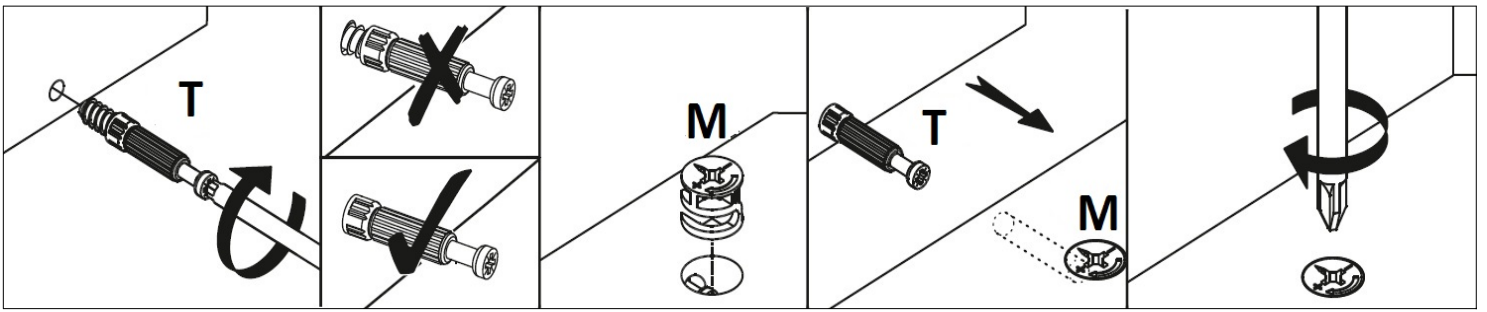
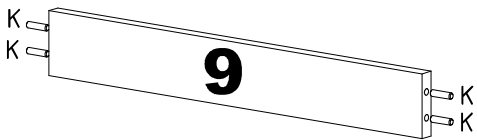
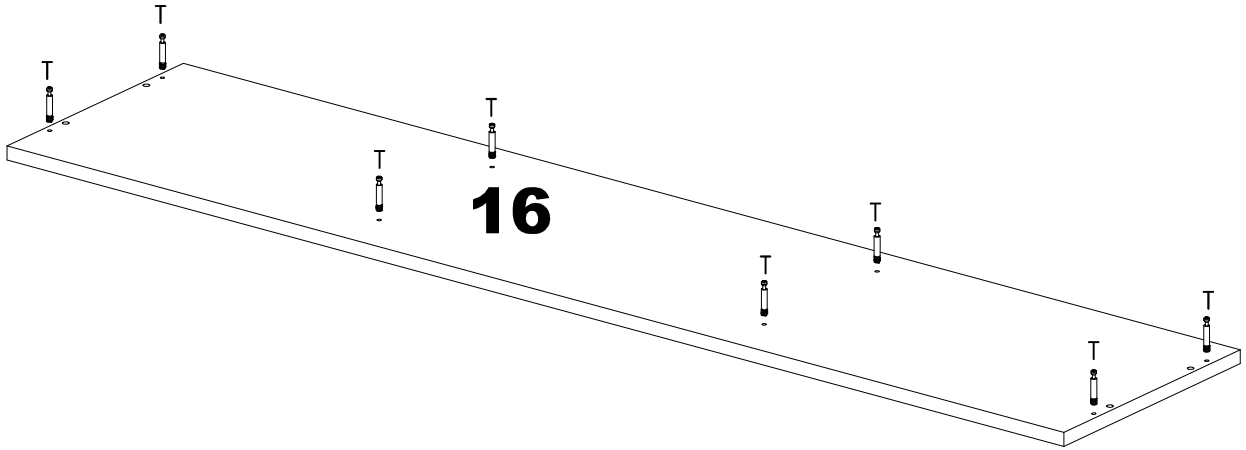
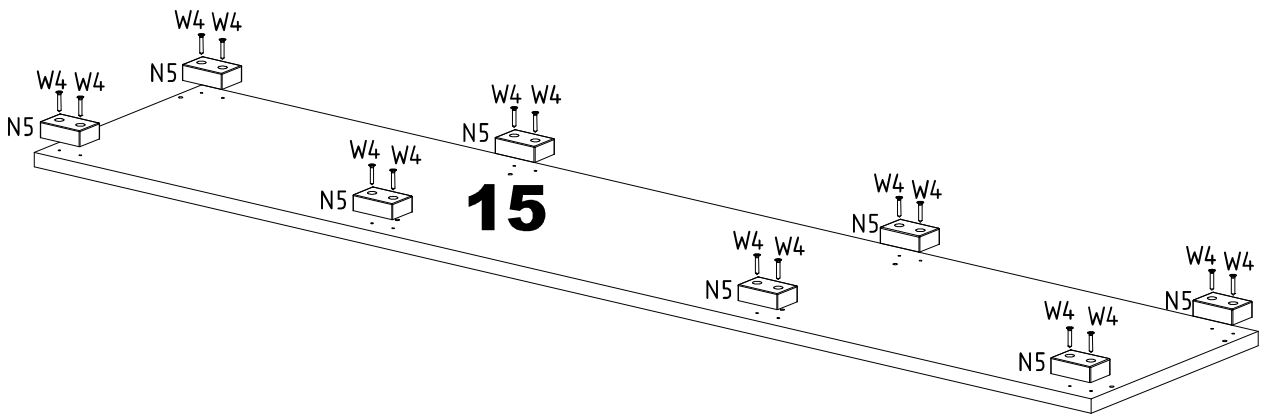


Table accessories

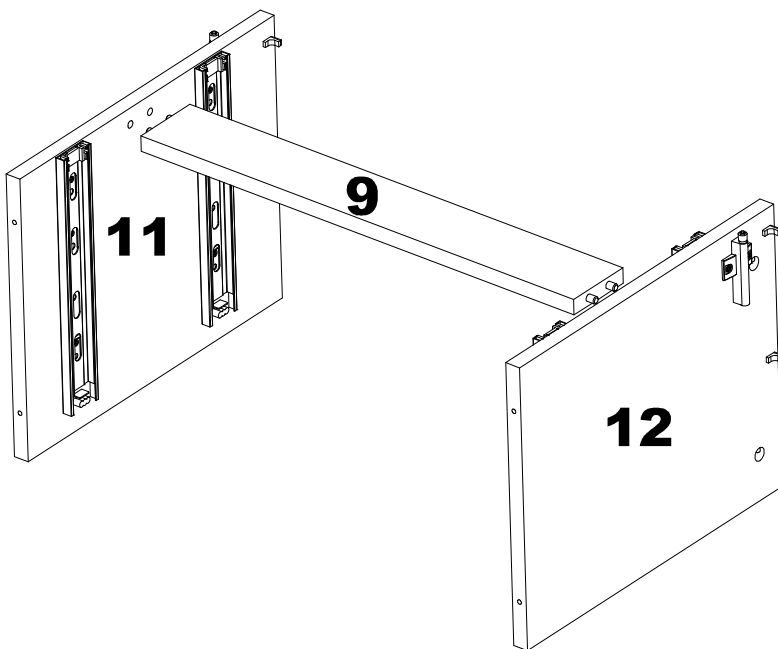
 A1	 G	6,3 X 50  KN	15 x 12  M	 N5
 OM	 P6	 P7	 PP2	 PR
 ST	6 x 34 mm  T	4 x 16  W16	4 X 25mm  W4	 Z
 ZK	 ZP	8 x 30  K		

Elements				Accessories	
SYMBOL	LENGTH	WIDTH	QUANTITY	SYMBOL	QUANTITY
BL (1)	16.3	13.07	1	A1	1
BP (2)	16.3	13.07	1	G	70
FT (3)	19.92	16.54	2	K	12
FTS (4)	22.8	7.64	2	KN	16
KBL (5)	11.81	3.94	2	M	12
KBP (6)	11.81	3.94	2	N5	8
KD (7)	12.05	21.18	2	OM	2
KT (8)	19.84	3.94	2	P5	4
LC (9)	22.24	3.15	1	PP2	12
PC (10)	62.8	8.76	2	PR	4
PPI01 (11)	16.3	13.07	1	ST	6
PPI02 (12)	16.3	13.07	1	T	12
PS1 (13)	18.86	8.47	2	W16	44
PS2 (14)	22.17	8.47	1	W4	16
WD (15)	62.99	13.07	1	Z	12
WG (16)	62.99	13.78	1	ZK	16
				ZP	4

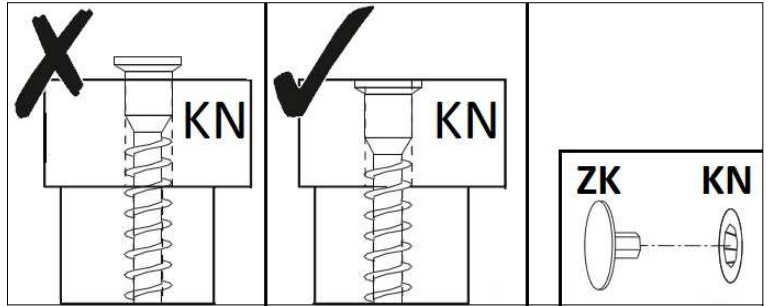
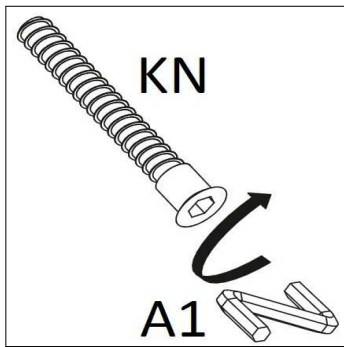
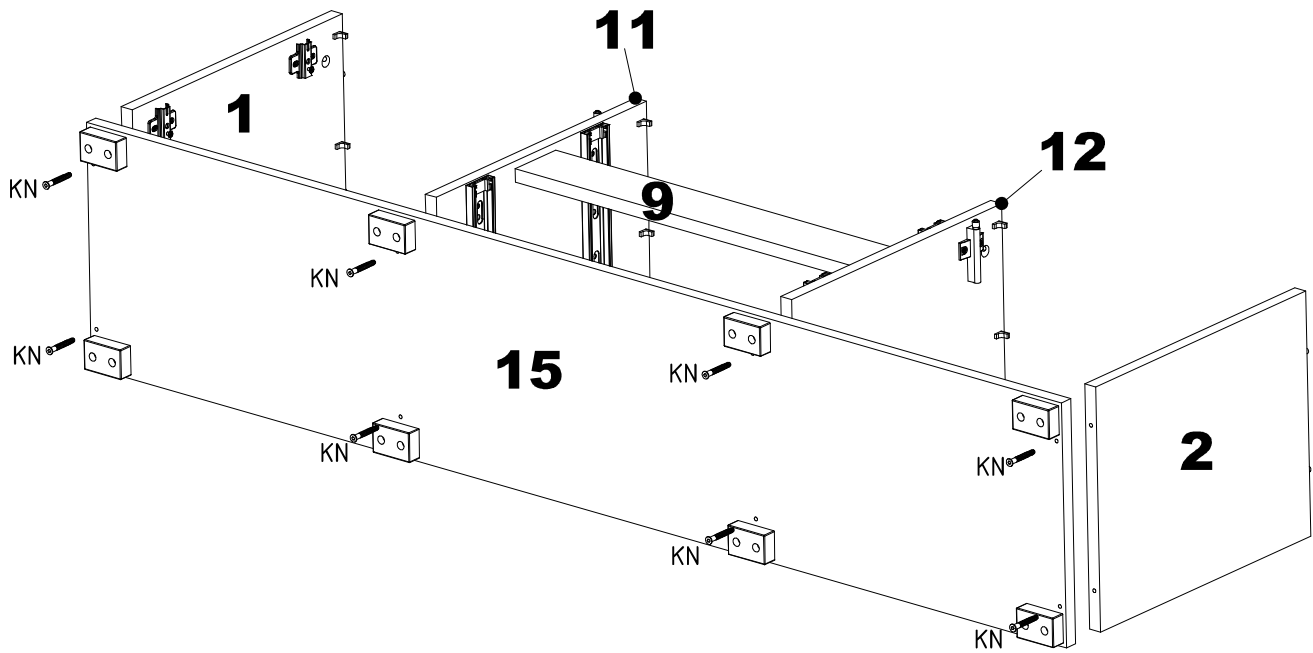




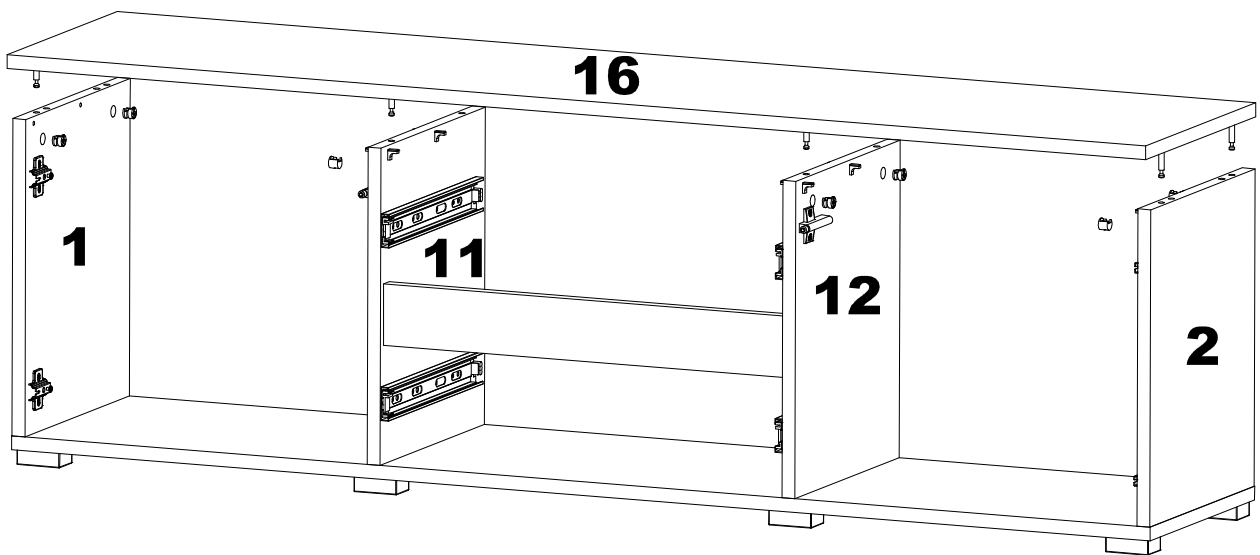
2.



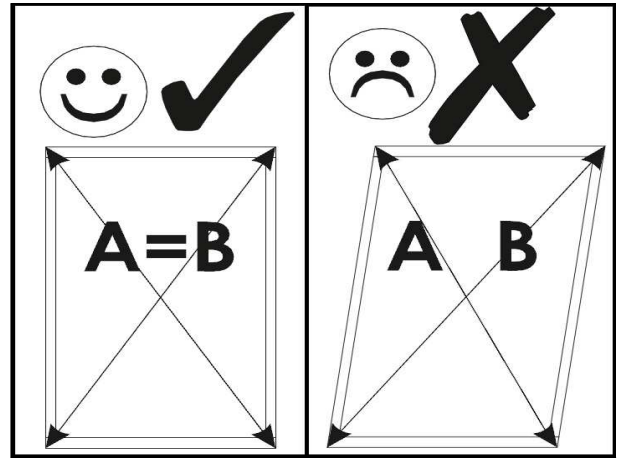
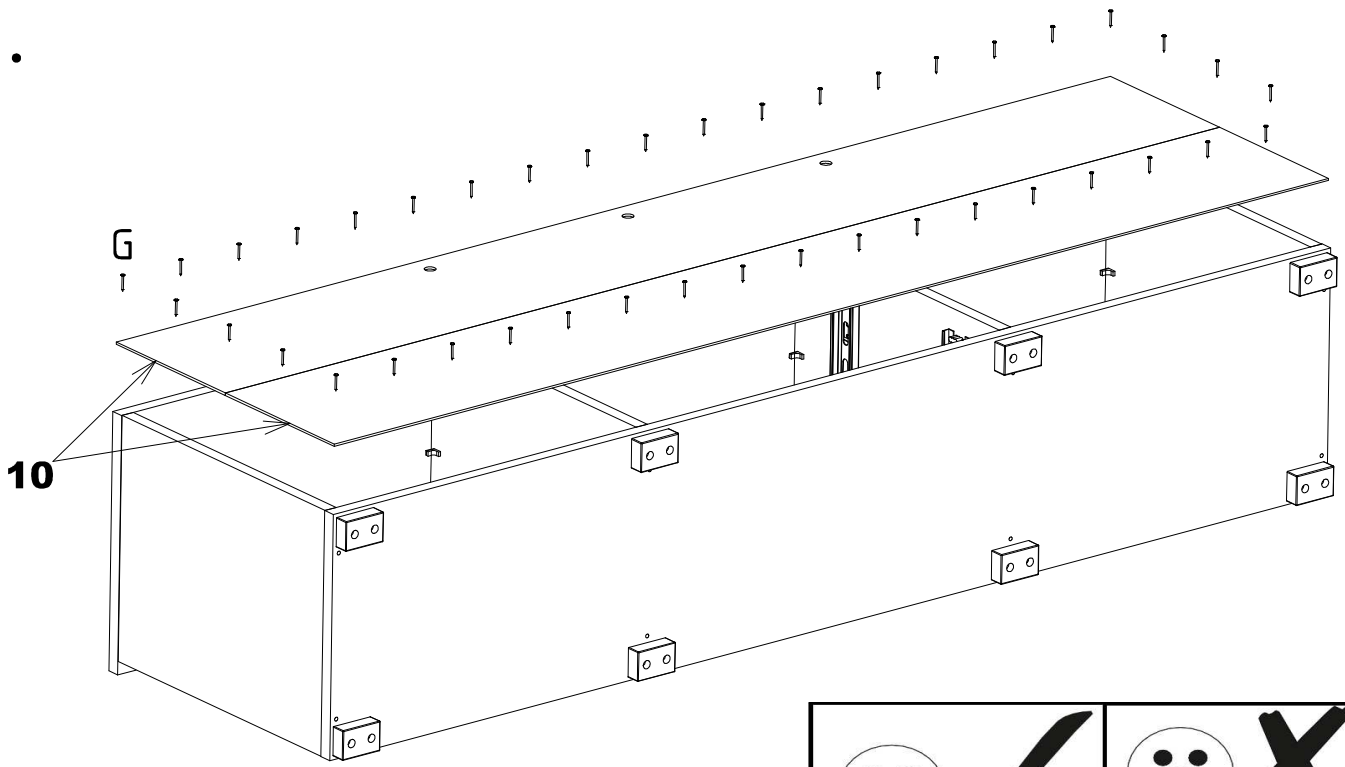
3.



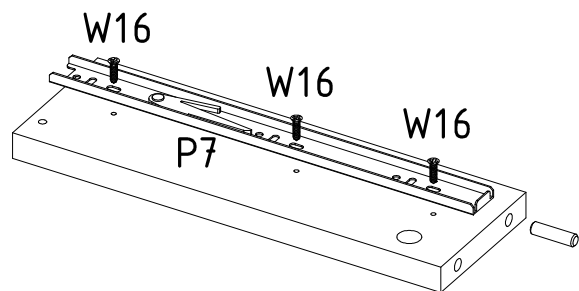
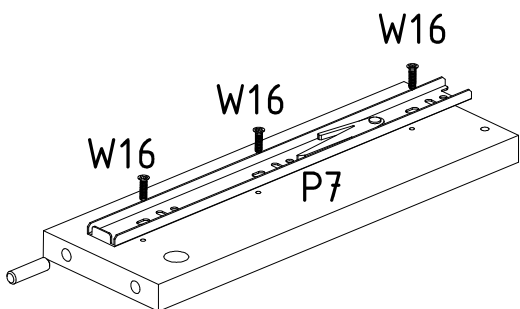
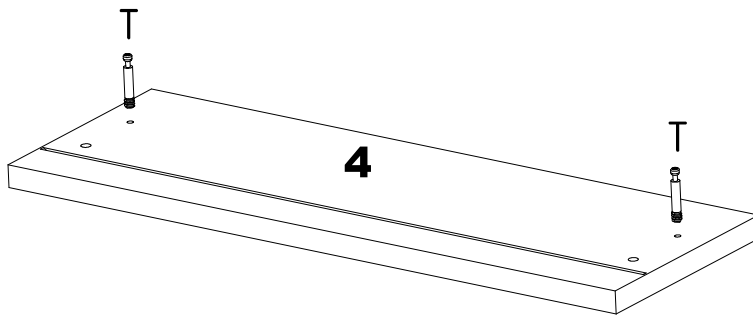
4.



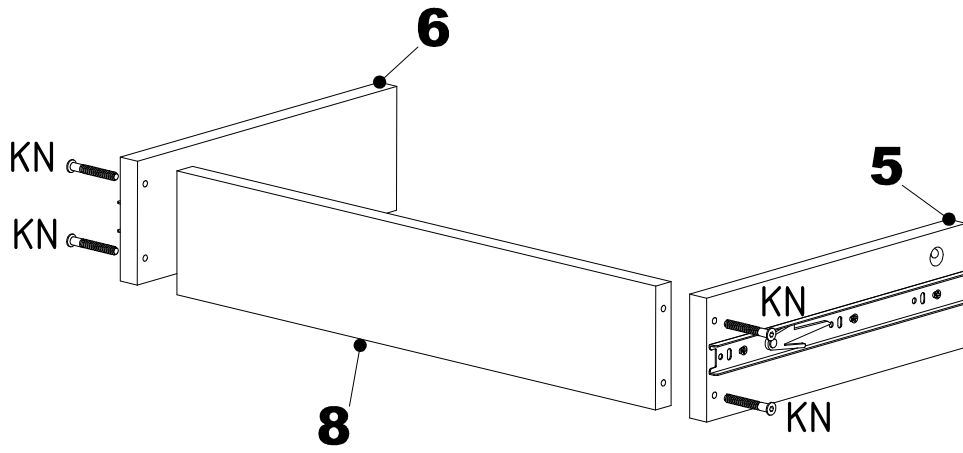
5.



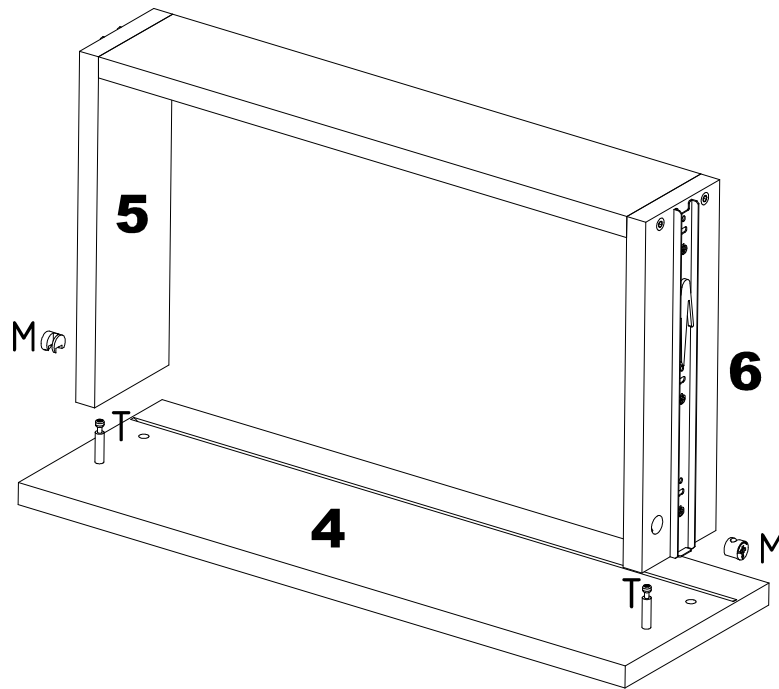
6.



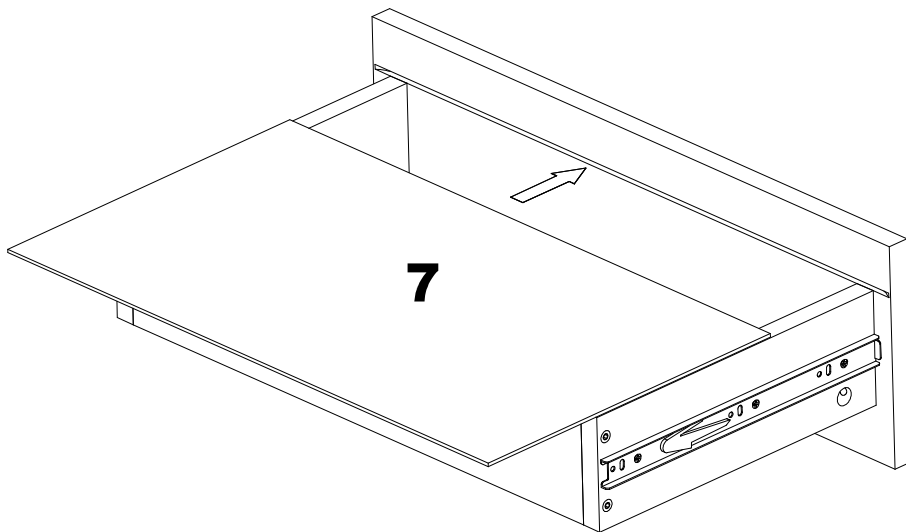
7.



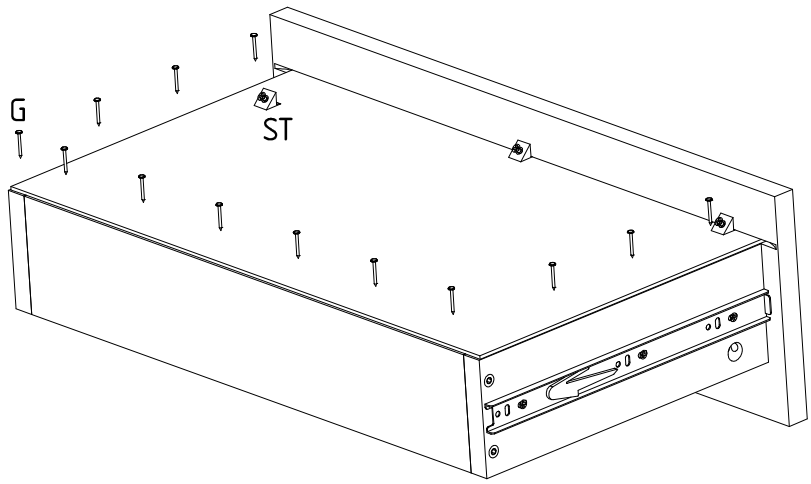
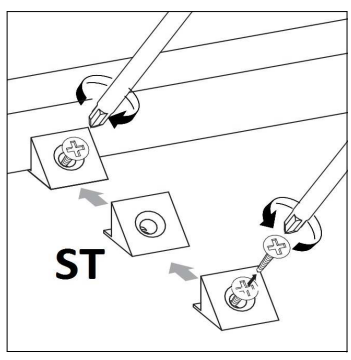
8.



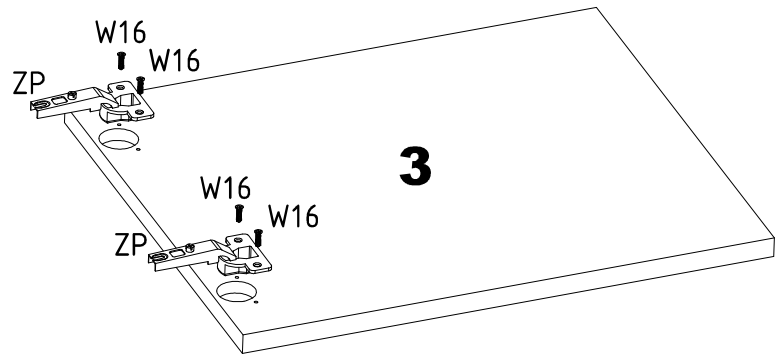
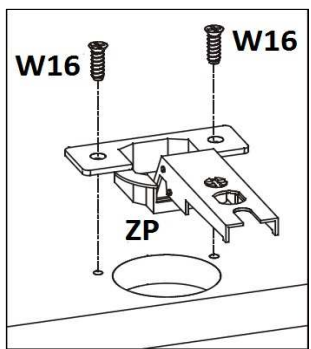
9.



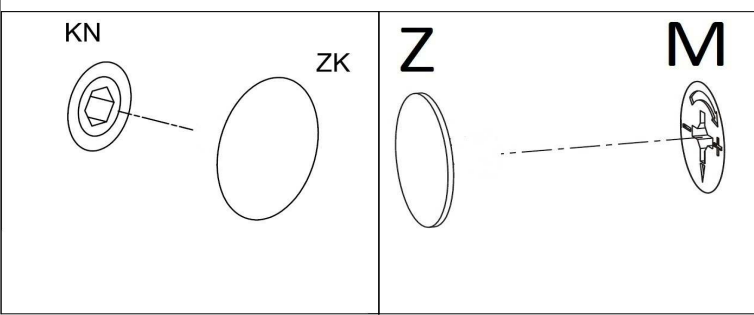
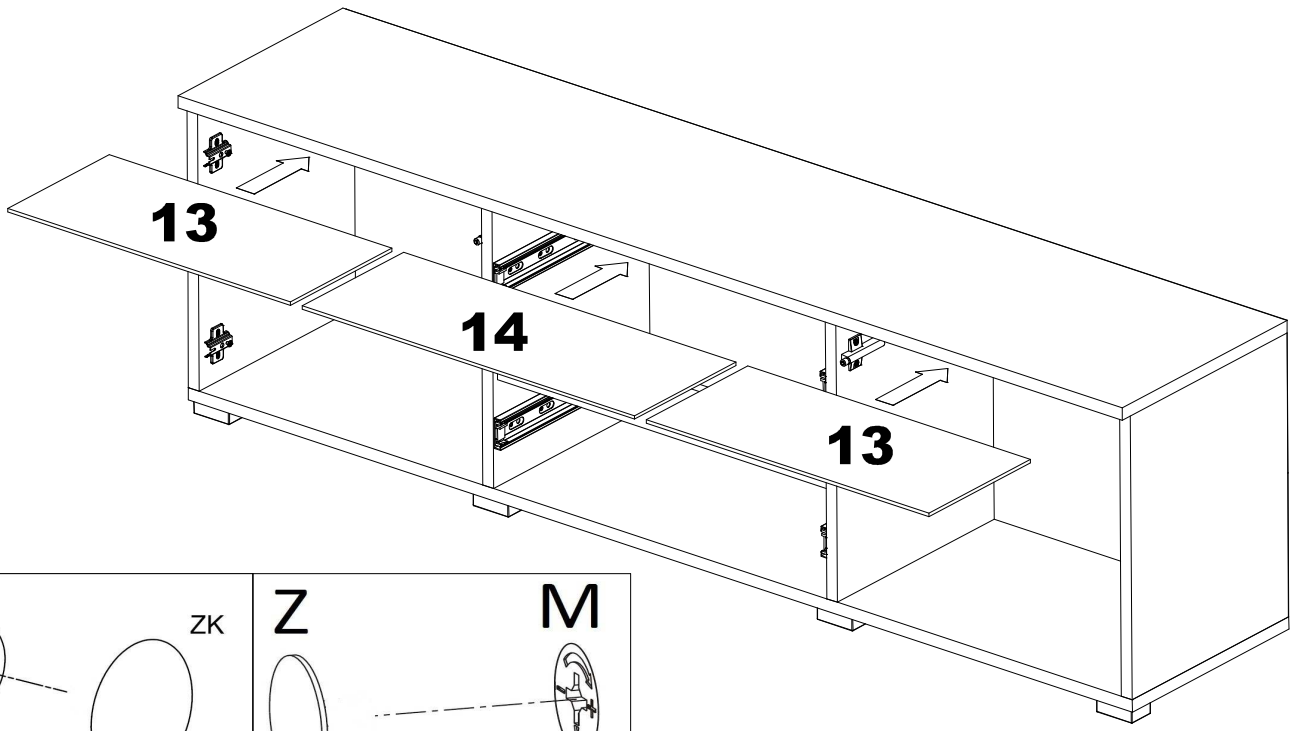
10.



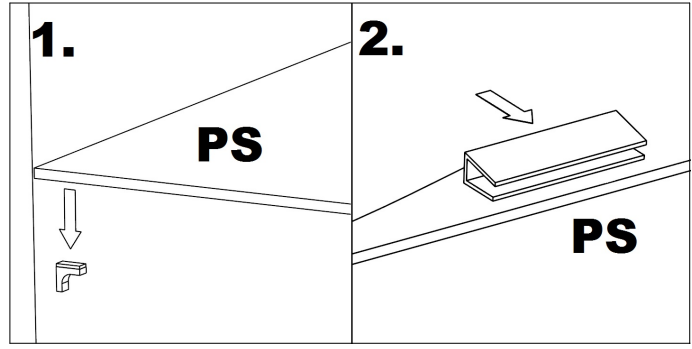
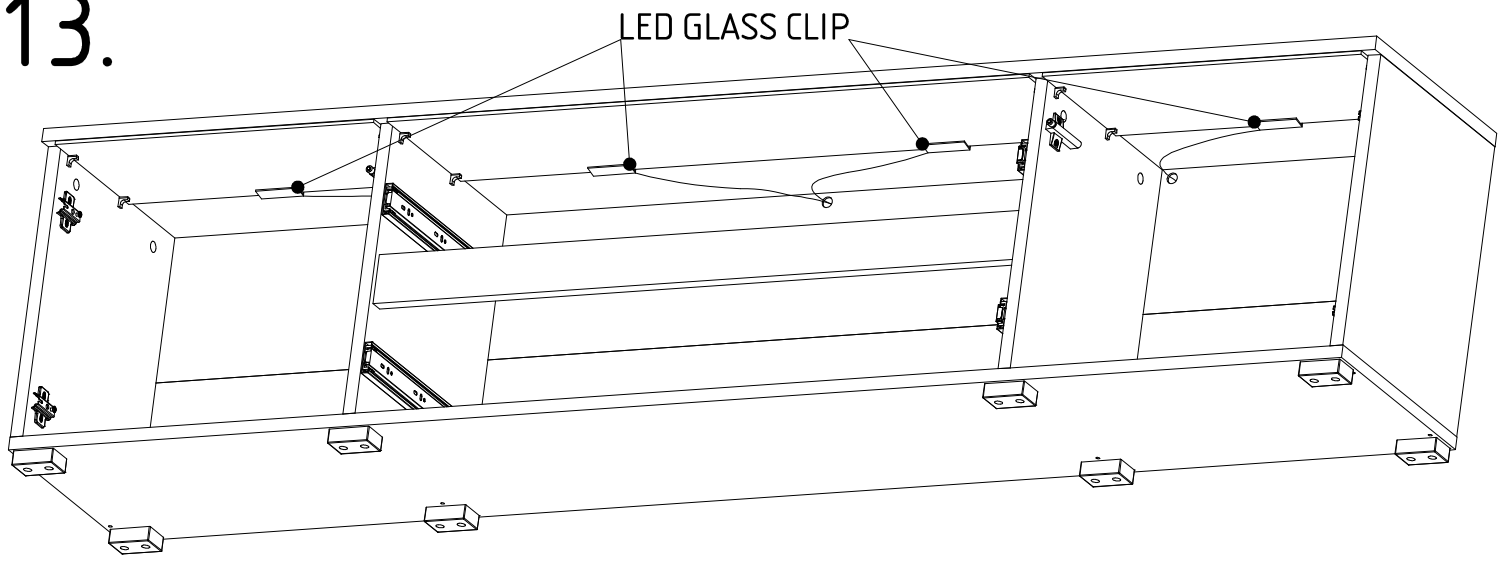
11.



12.



13.



14.

