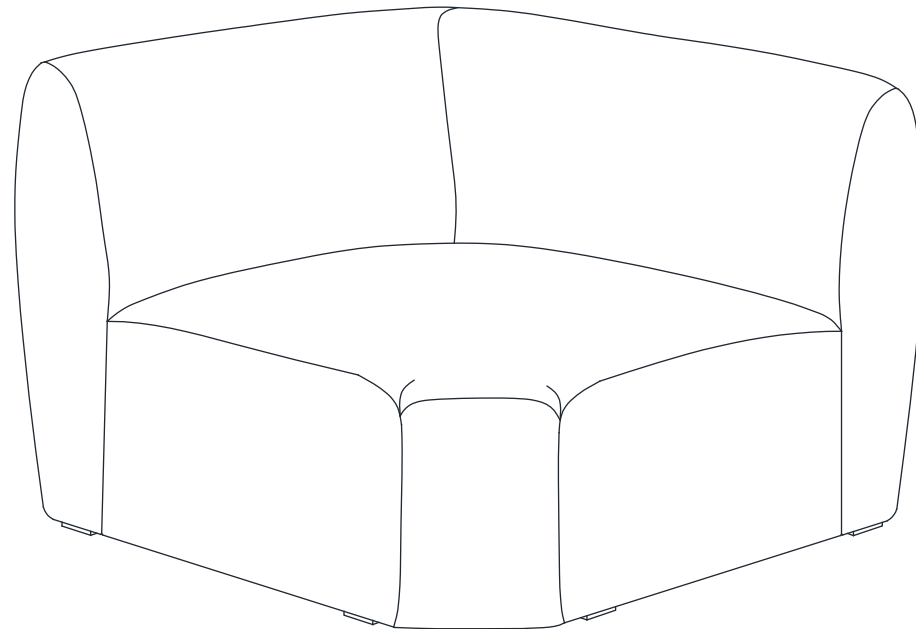


ASSEMBLY INSTRUCTIONS.

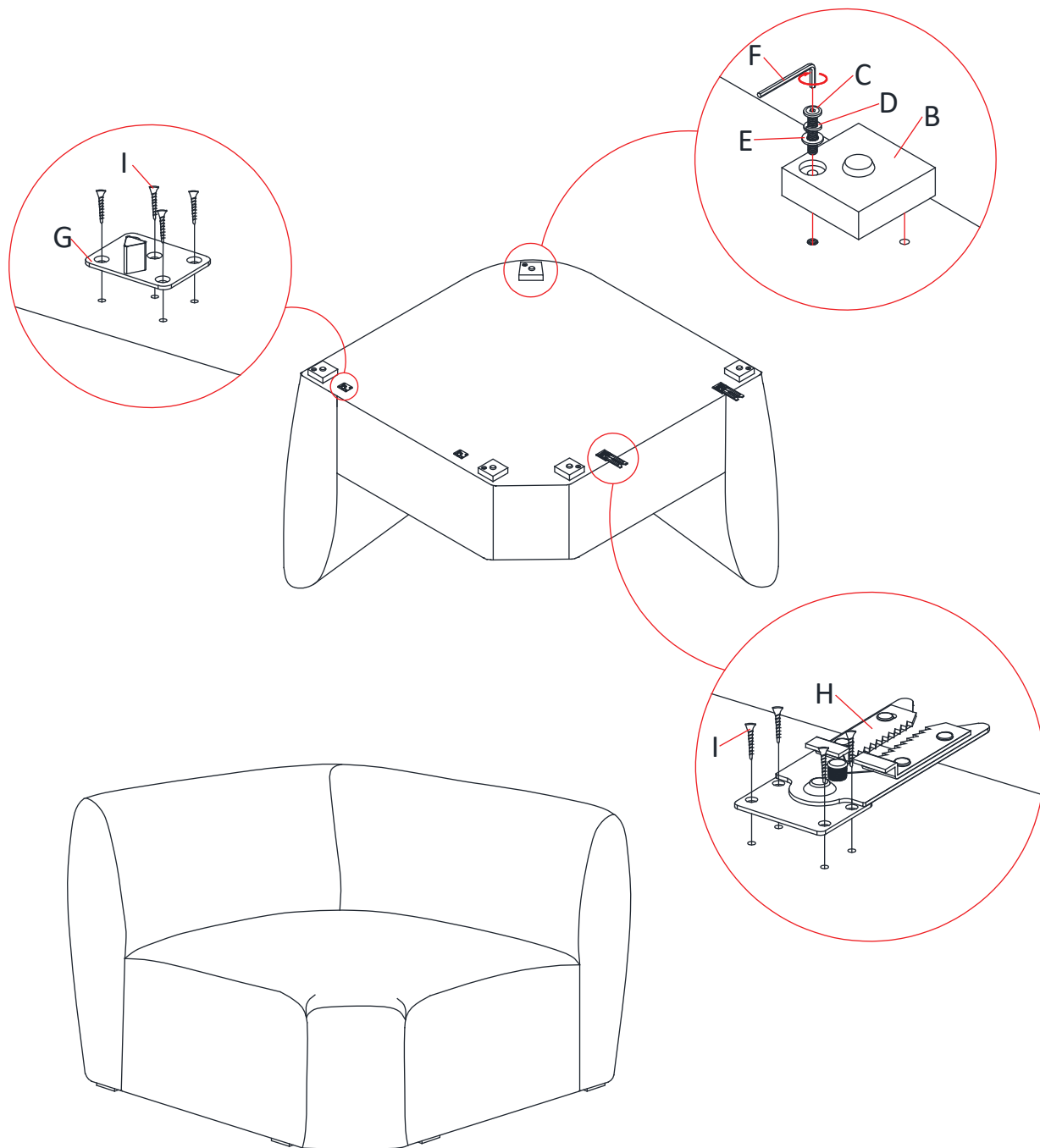
AMELIA CORNER CHAIR CHESTNUT



THANK YOU FOR YOUR PURCHASE!

PARTS AND HARDWARE.

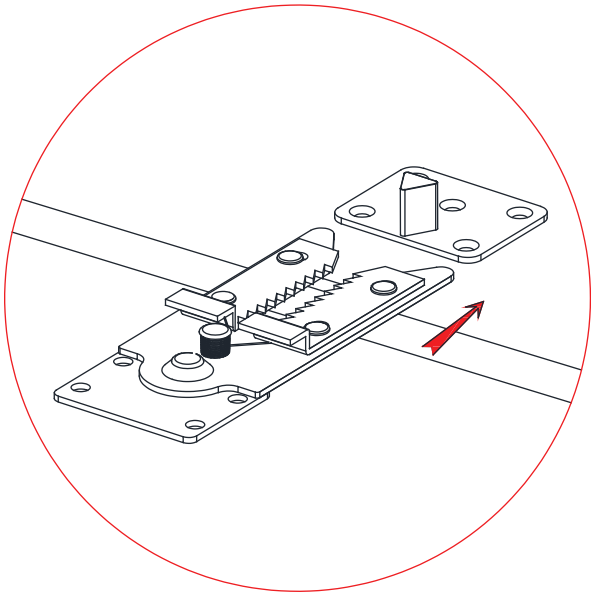
(A) SEAT x 1	
(B) LEGS x 5	
(C) BOLTS (Ø5/16"-50MM) x 5	
(D) LOCK WASHERS (Ø12-Ø8.5-1MM) x 5	
(E) FLAT WASHERS (Ø19-Ø8.5-1.5MM) x 5	
(F) ALLEN WRENCH (K4) x 1	
(G) FEMALE BRACKETS (55-43-18MM) x 2	
(H) MALE BRACKETS (140-54-13MM) x 2	
(I) SCREWS (M3-25MM) x 18	



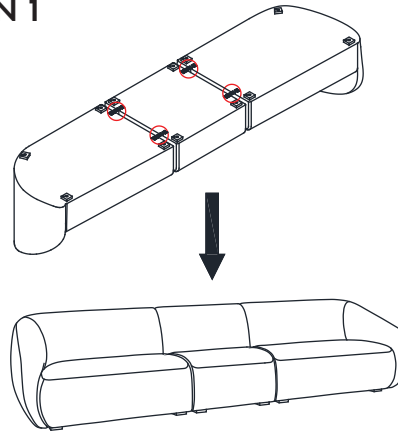
NOTES.

Thank you for purchasing this quality product! Be sure to check all packing material carefully for small part that may have come loose inside the carton during shipping.

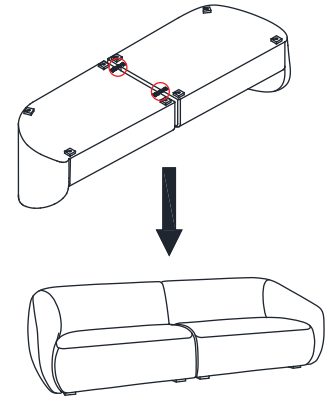
CAUTION: The item is heavy, assembly should be performed by two people.



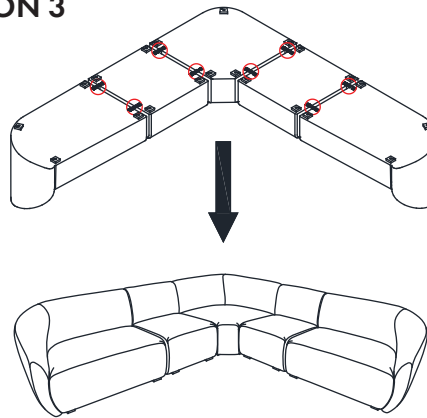
OPTION 1



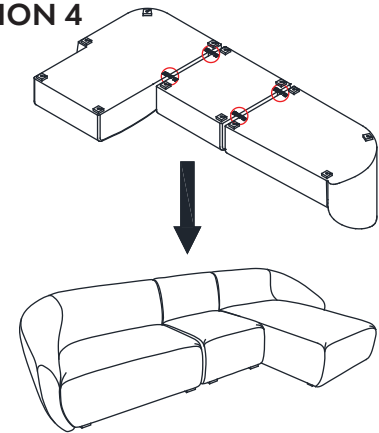
OPTION 2



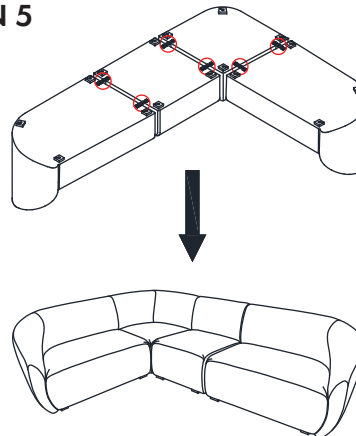
OPTION 3



OPTION 4



OPTION 5



OPTION 6

