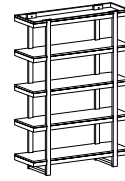


ASSEMBLY INSTRUCTIONS



#180-588

TOOLS REQUIRED:

- Allen Wrench (Provided, Part E)
- Phillips screwdriver (Not Provided).

BEFORE YOU START:

1. Check the hardwares against the hardware list to make sure all items are present.
2. Assemble your furniture on a soft, flat surface to avoid scratching the finish.
3. **CAUTION:** Do not over tighten screws, nuts or bolts during assembly.
4. Your furniture may require occasional tightening.

INSTRUCTIONS:

1. Turn the bookshelf on to a clean soft surface.
2. Attach two legs to the top frame using Bolt (A), Lock Washer (B) and Flat Washer (C) and tighten with the Allen Wrench (E). As Shown in Figure 1.
3. Attach metal stretchers to the legs using Short Bolt (D), Lock Washer (B) and Flat Washer (C) and tighten with the Allen Wrench (E). As Shown in Figure 2.
4. Attach the 3rd and 4th legs to the shelves using Bolt (A), Lock Washer (B) and Flat Washer (C) and tighten with the Allen Wrench (E). As Shown in Figure 3.
5. Repeat step 2 for metal stretchers. As show in Figure 2.
6. Attach dust panel to the top of bookshelf by Screws (F). As shown in Figure 4.
7. Tighten all bolts before setting the bookshelf back upright.

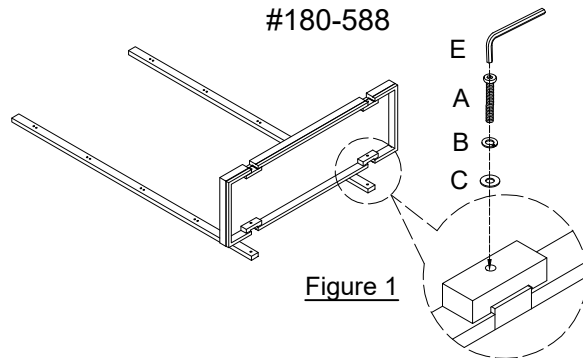


Figure 1

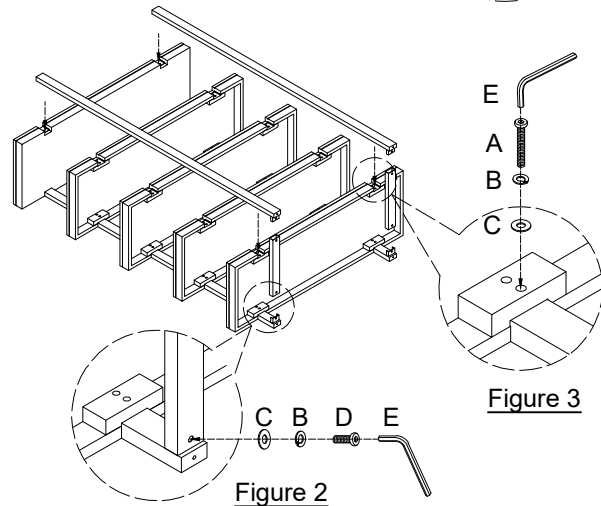


Figure 2

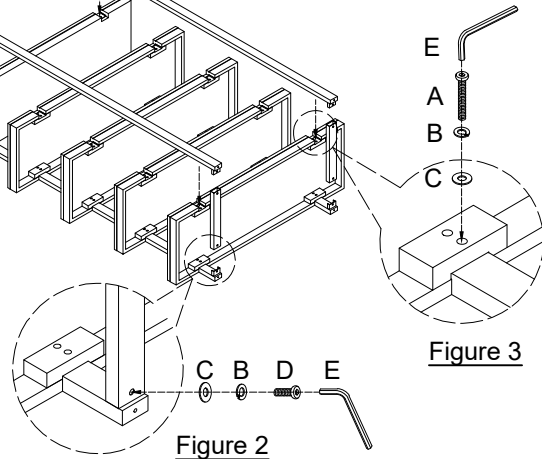


Figure 3

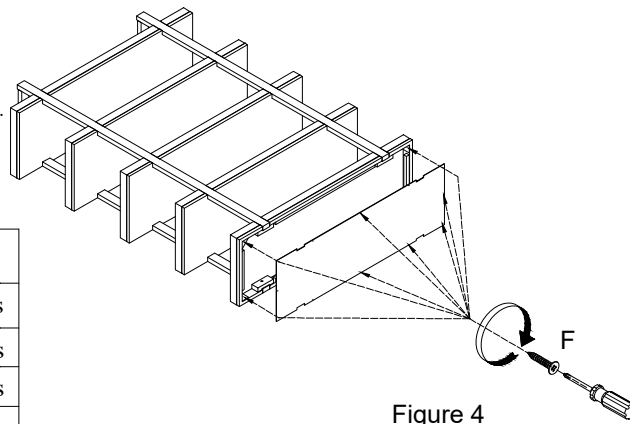


Figure 4

HARDWARE LIST			
A		Long Bolt (Ø1/4"*1-1/2")	36pcs
B		Lock Washer (Ø1/4")	40pcs
C		Flat Washer (Ø1/4"*Ø3/4")	40pcs
D		Short Bolt (Ø1/4"*15MM)	4pcs
E		Allen Wrench (4MM)	1pcs
F		Screw (#7*5/8")	12pcs