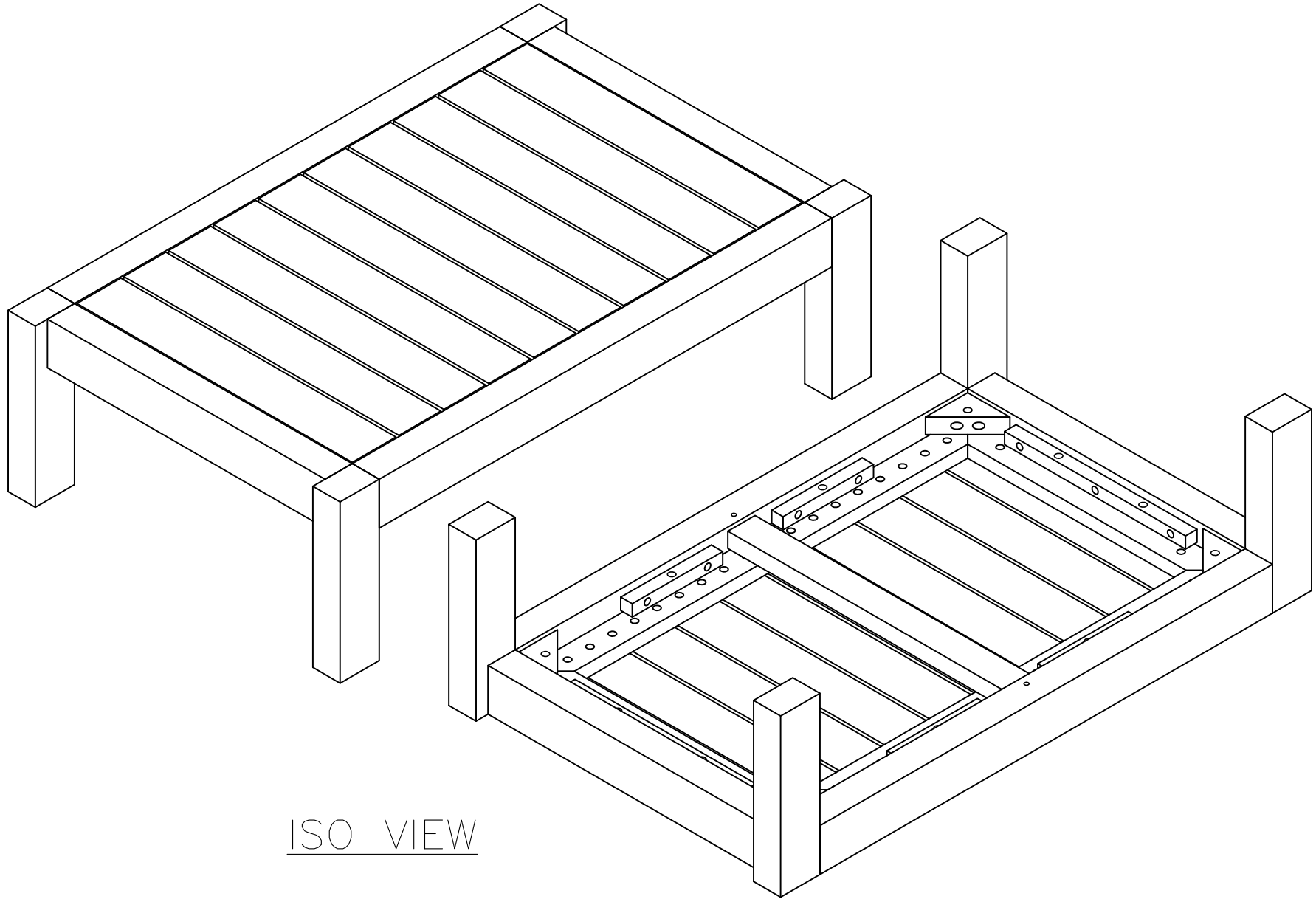




33 35TH STREET, UNIT A405, BROOKLYN, NEW YORK 11232
T 212.355.0625 F 212.355.0628 WWW.OASIQ.COM



MARO High Side Table
W 34 5/8" D 21 5/8" H 14 3/4"
CH 4 1/2" OSH 18 1/4"
24.25 lbs
Teak



ISO VIEW

OASIQ

DWG.NO: A1802082

TITLE : ISO VIEW

DIM EXT: 550x880x374.7 MM.

MATERIAL: TEAK

DRAWN BY : SARANYA

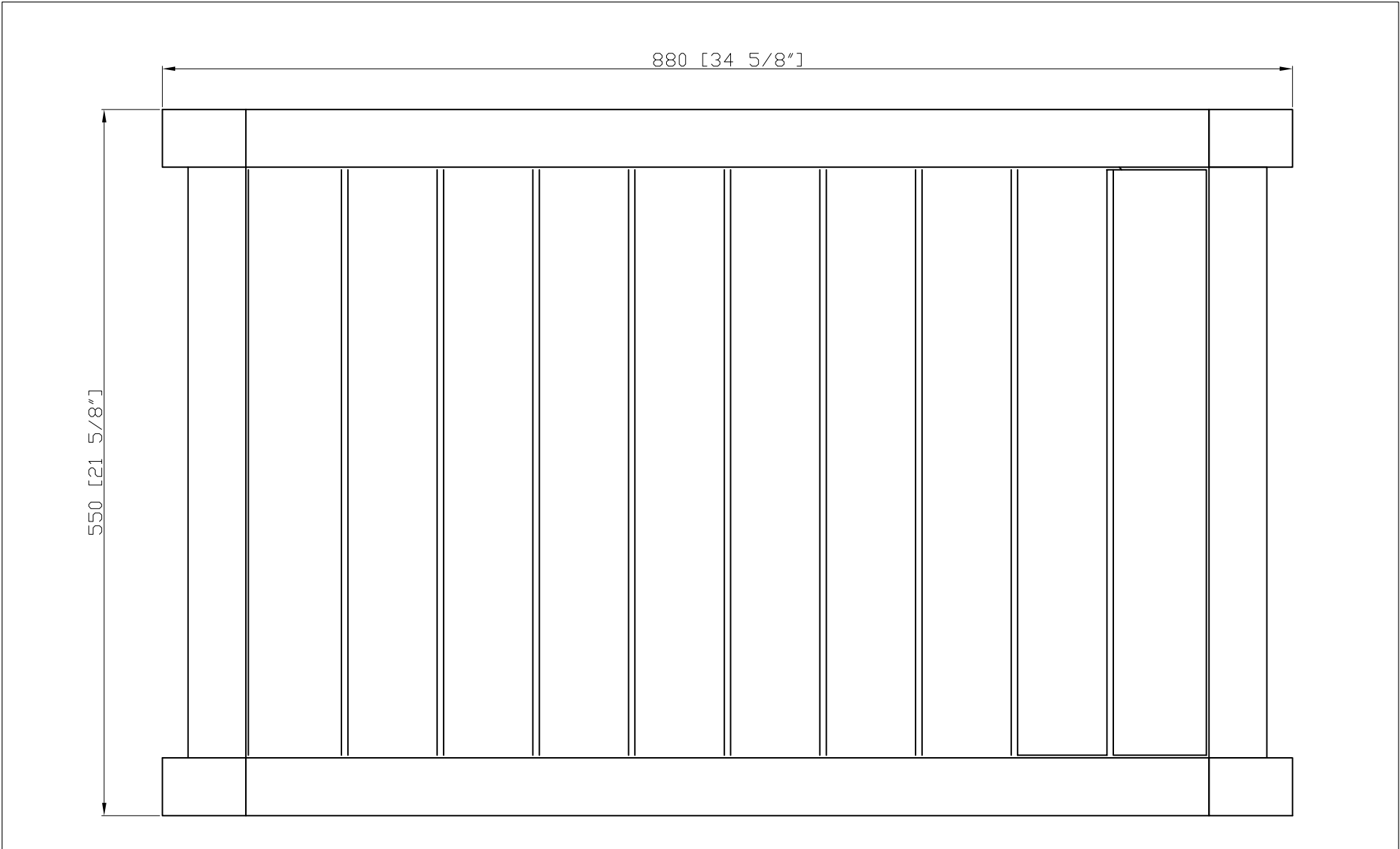
FINISH DATE : 12-12-15
BEGIN DATE : 10-06-15

JACK
POOL

SCALE : 1:2
⊕ ⊞

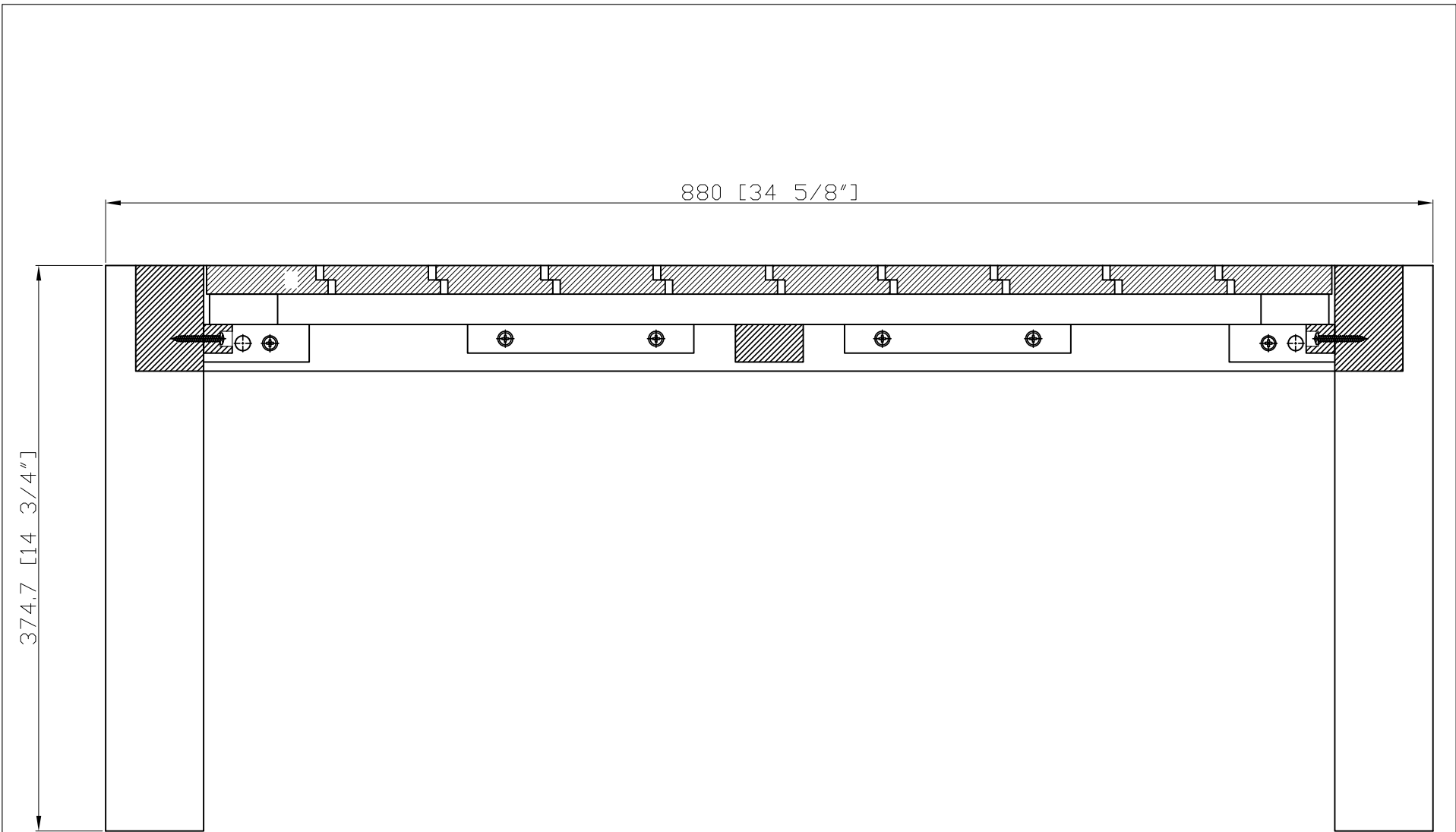
ISO

P.3



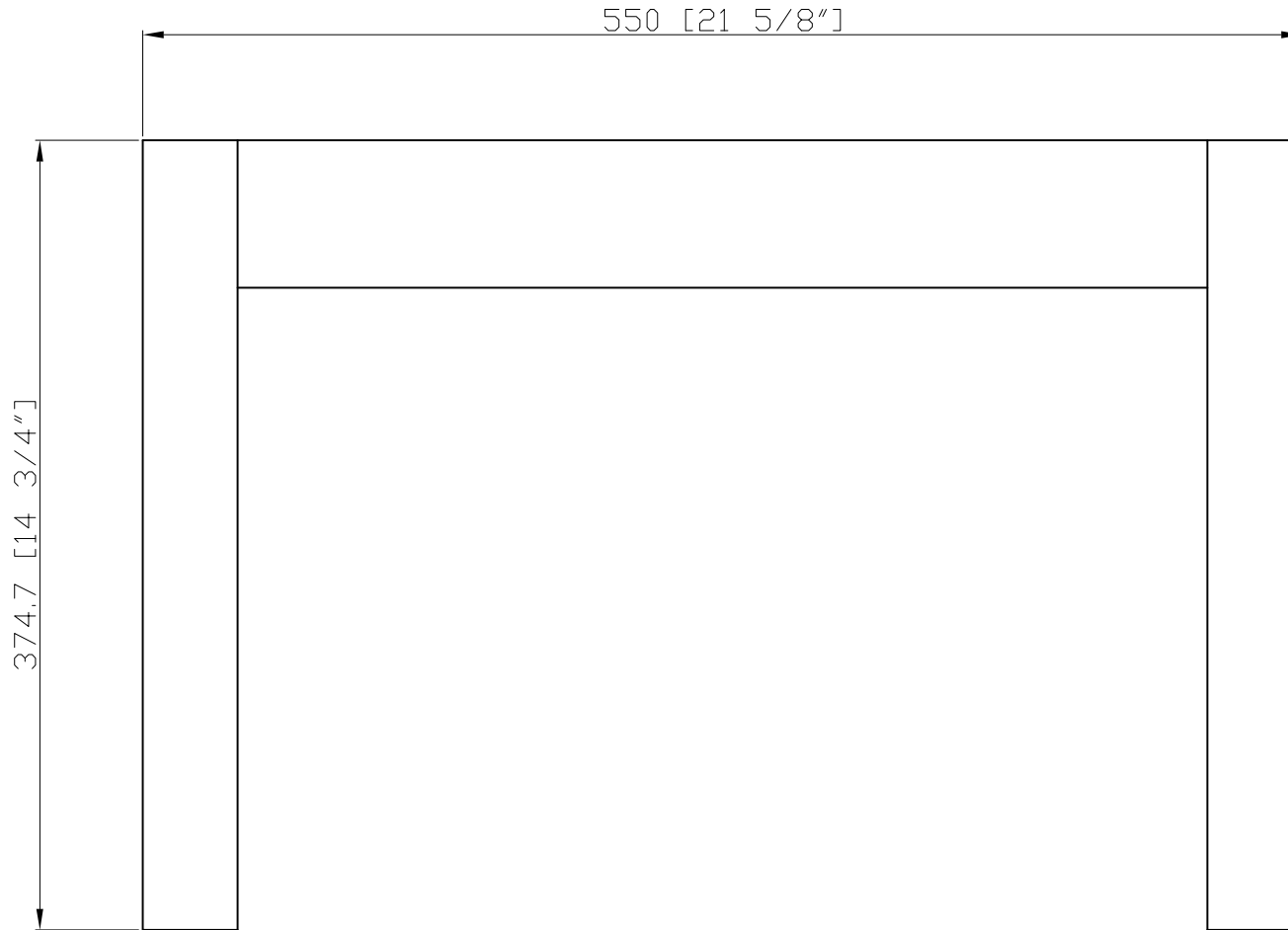
TOP VIEW

OASIQ	DWG.NO: A1802082	TITLE : TOP VIEW	DIM EXT: 550x880x374.7 MM	MATERIAL: TEAK	DRAWN BY : SARANYA	FINISH DATE : 12-12-15	JACK	SCALE : 1:1	ET
						BEGIN DATE : 10-06-15	POOL	⊕	



FRONT VIEW

OASIQ	DWG.NO: A1802082	TITLE : FRONT VIEW	DIM EXT: 550x880x374.7 MM.	MATERIAL: TEAK	DRAWN BY : SARANYA	FINISH DATE : 12-12-15	JACK	SCALE : 1:1	EF
						BEGIN DATE : 10-06-15	POOL		



SIDE VIEW

ES

OASIQ

DWG.NO: A1802082

TITLE : SIDE VIEW

DIM EXT: 550x880x374.7 MM.

MATERIAL: TEAK

DRAWN BY : SARANYA

FINISH DATE : 12-12-15
BEGIN DATE : 10-06-15

JACK
POOL

SCALE : 1:1
⊕

P.6