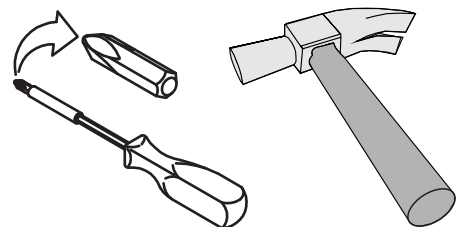
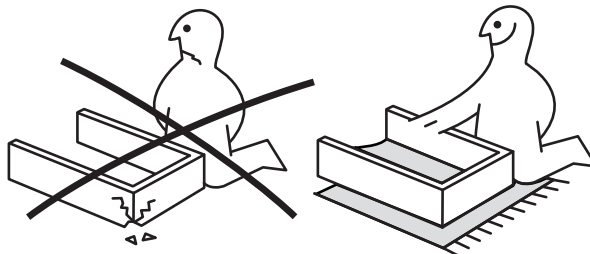
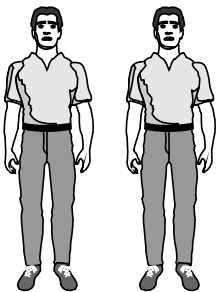
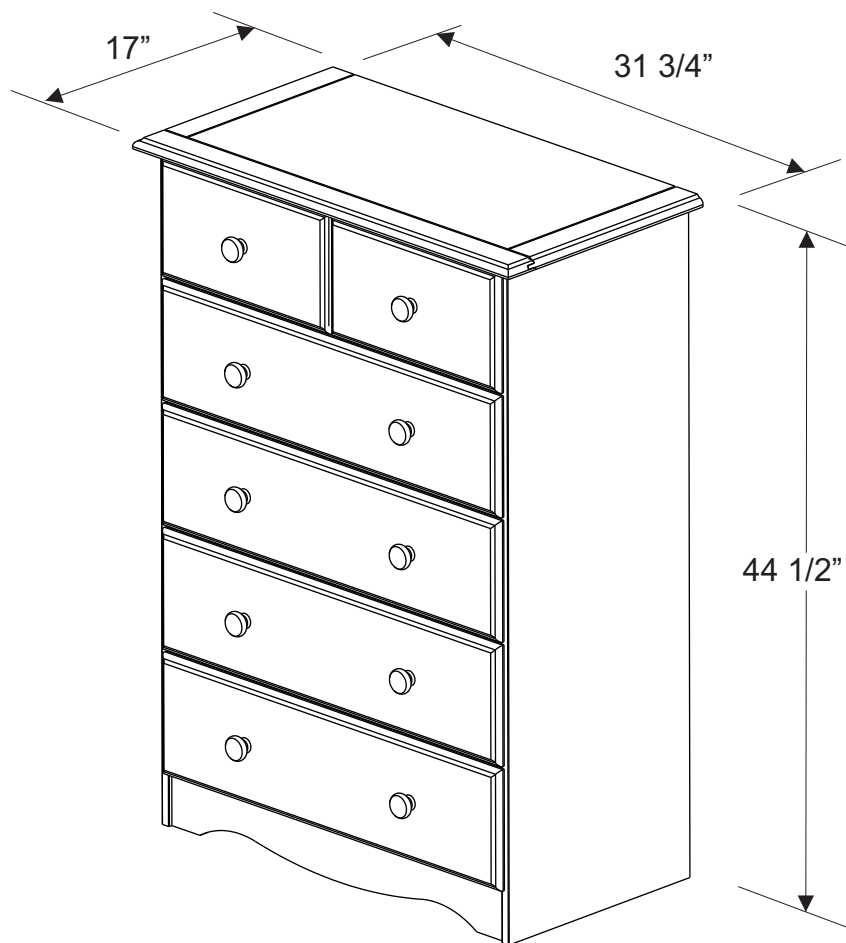


ASSEMBLY INSTRUCTIONS

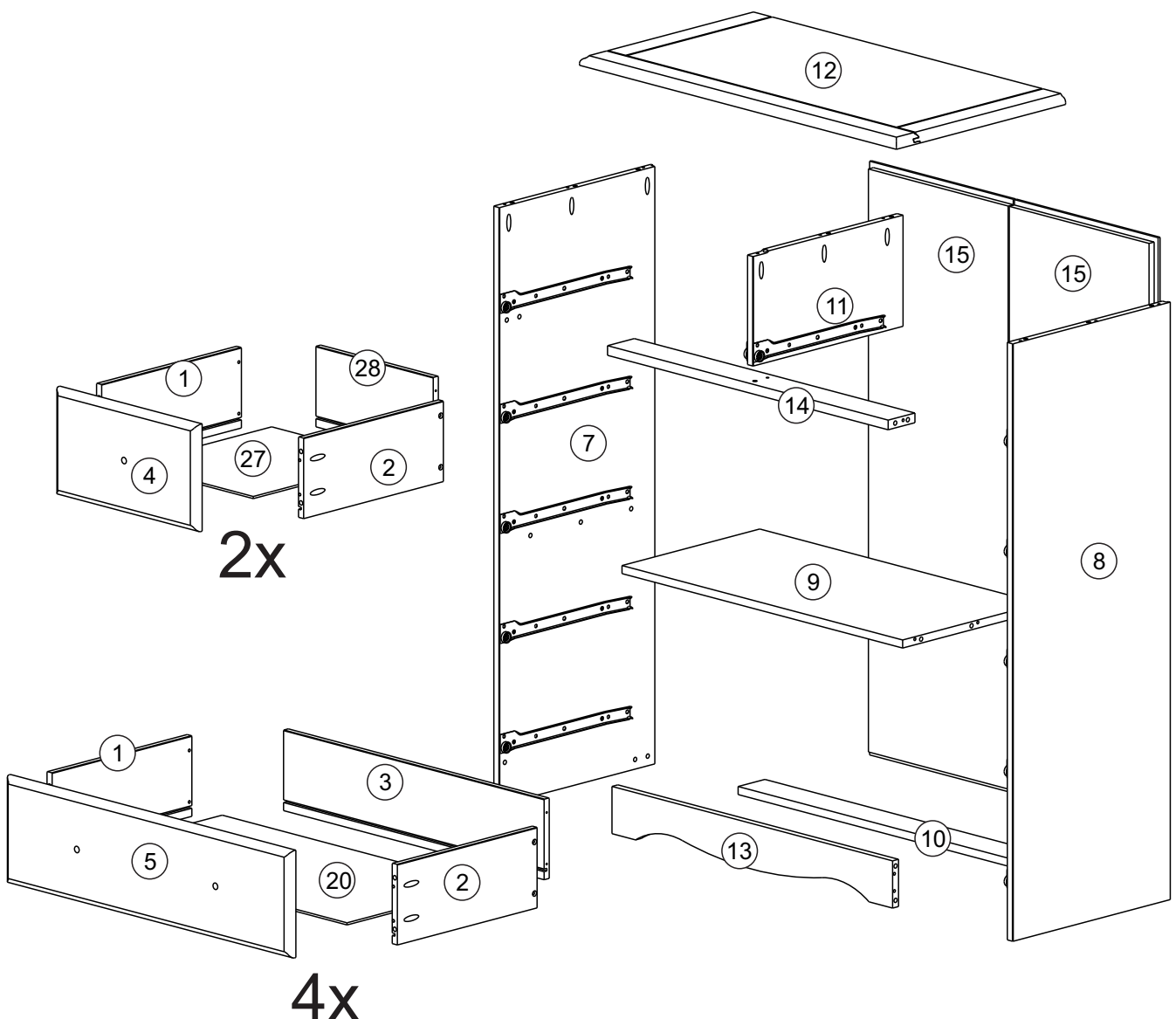
6 DRAWER CHEST



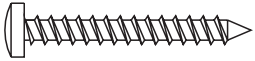

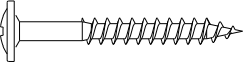

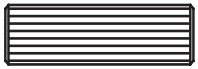

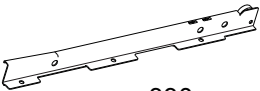

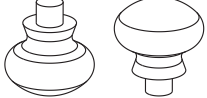
IMPORTANT:

READ THESE INSTRUCTIONS CAREFULLY BEFORE ATTEMPTING TO ASSEMBLE OR USE YOUR FURNITURE.

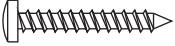


- Please keep these instructions for future reference.
- Always check that the product is free from damage before use. Do not use your product if any damage is present.
- On unpacking the item you may notice an odour due to the production process. However, this will disappear after a period of time.
- Before you to assemble your product, first check if there are any missing or damaged parts.
- Do Not throw away packaging material until assembly is complete.
- If you organize the items by parts, you'll find it much easier to grab each piece as you build.
- It is best to use any tools the kit provides, such as a hex key, because they may be specially sized for that piece of furniture. We do not recommend the use of power drill, it can damage your furniture if not used correctly.
- This product it should be assembled as near as possible to the point of use. Take care when lifting to avoid personal injury and (or) damage to the product.
- To avoid damages assemble the item on a soft, clean surface.
- Always use on a level, even surface It is recommended that two people handle and assemble the item.
- Do not place the item next to a radiator or direct sunlight – this item is manufactured in pine but is susceptible to temperature change. It is recommended an even room temperature be maintained with no sudden fluctuations.



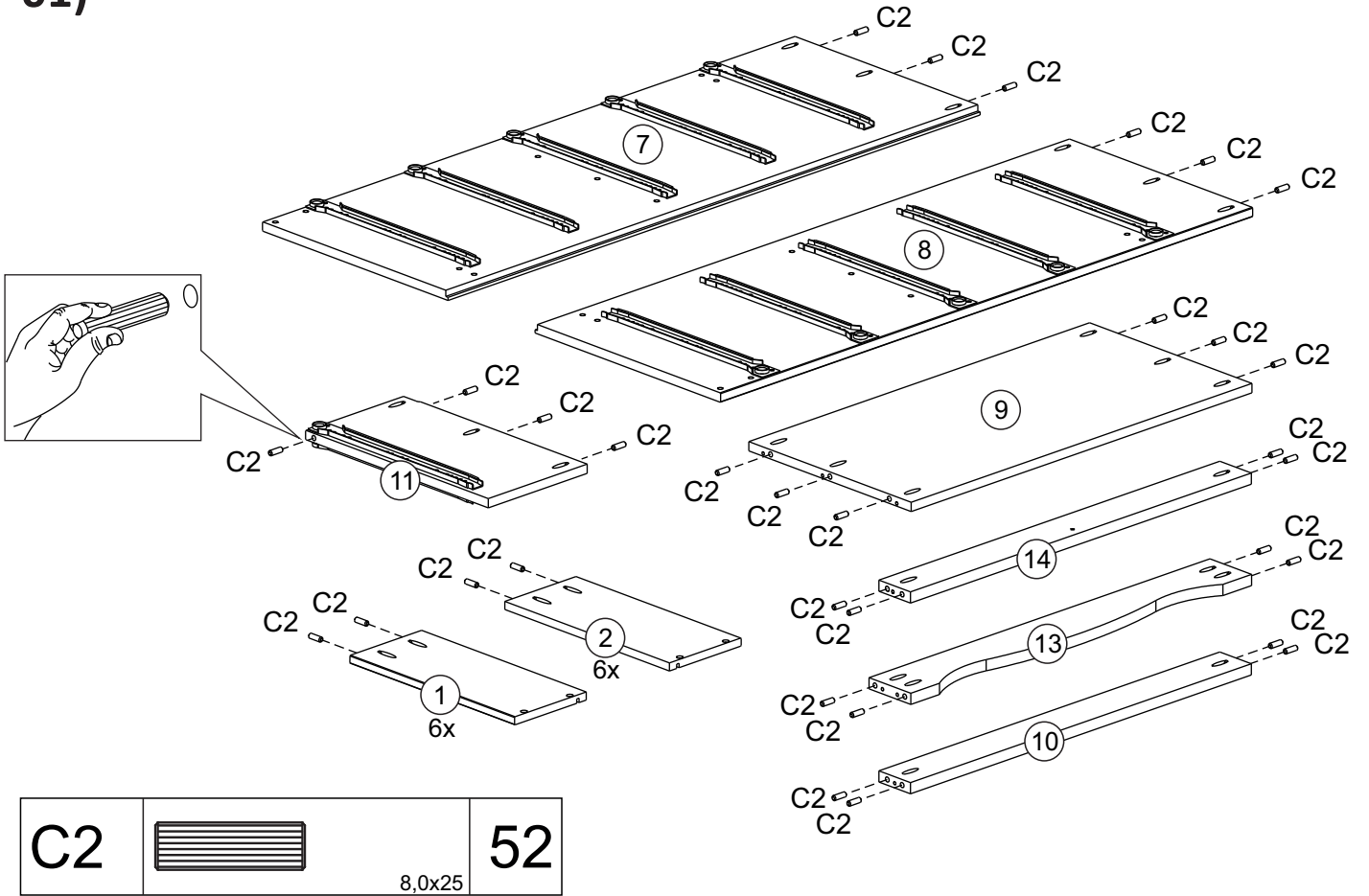
SCREWS ARE SHOWN IN ACTUAL SIZE

A1	 4,0x30	74+4
A9	 3,5x16	24+1
A41	 4,0x30	10+1
A42	 4,0x14	24+1
C2	 8,0x25	52+3
E1	 330mm - 13"	06
E2	 330mm - 13"	06
G1	 10x10	30
H1		10

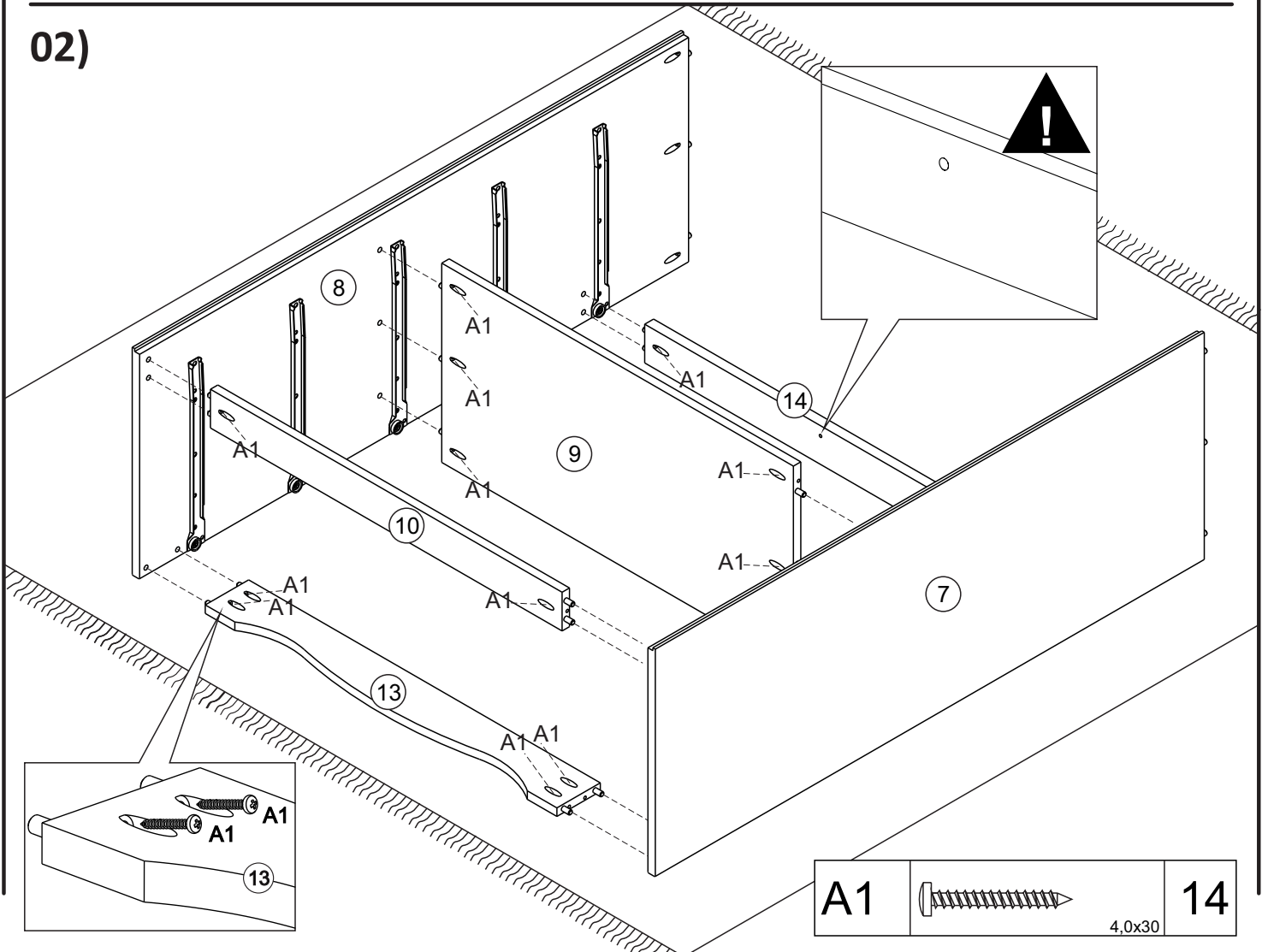
WARNING:
CHOKING HAZARD
- Small Parts, not for Children.
To be Assembled by an Adult.

FURNITURE ANTI-TIPPING RESTRAINT KIT		
A8	 3,0x20	02 + 1
F8		02
F9		01

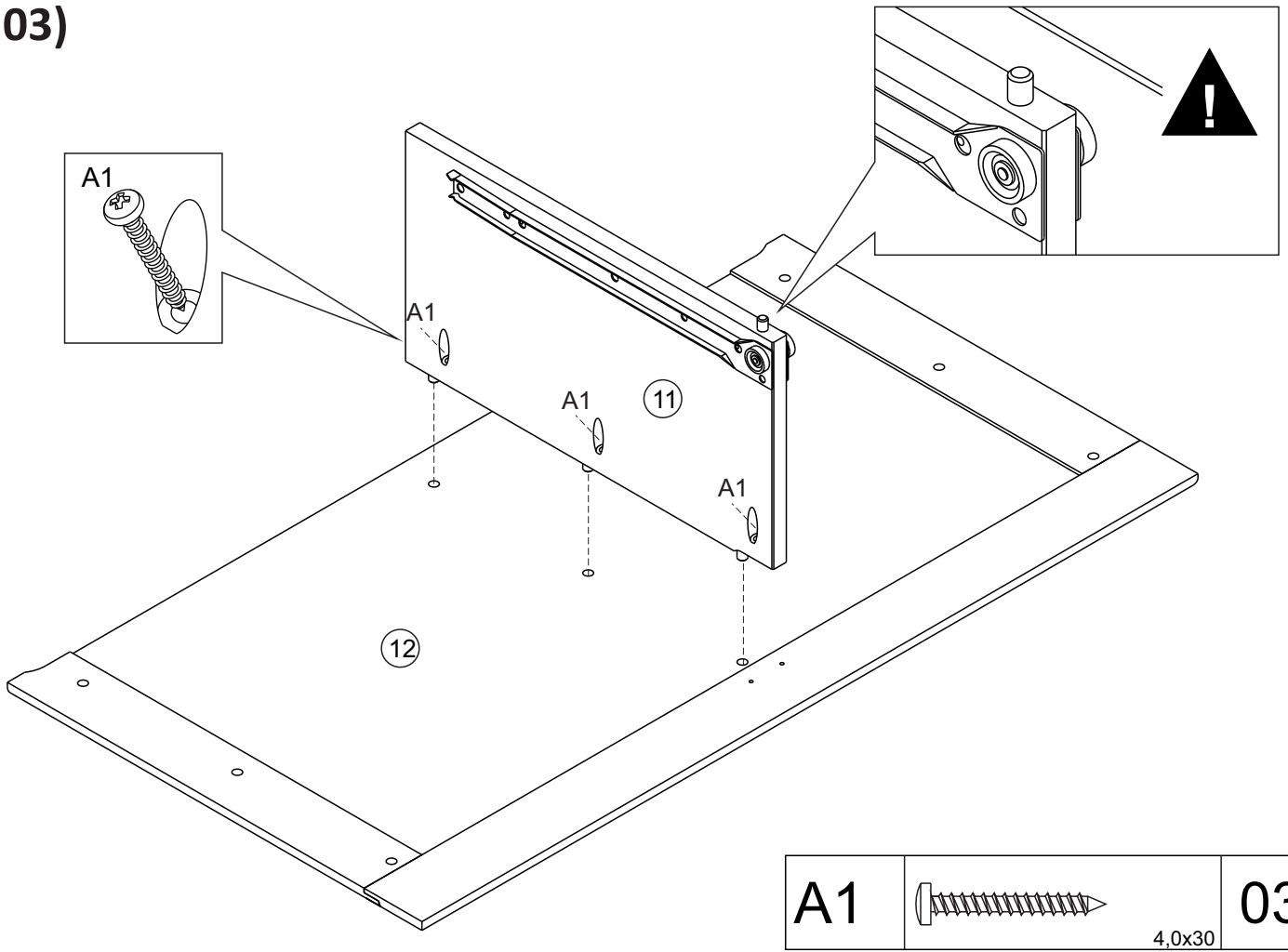
01)



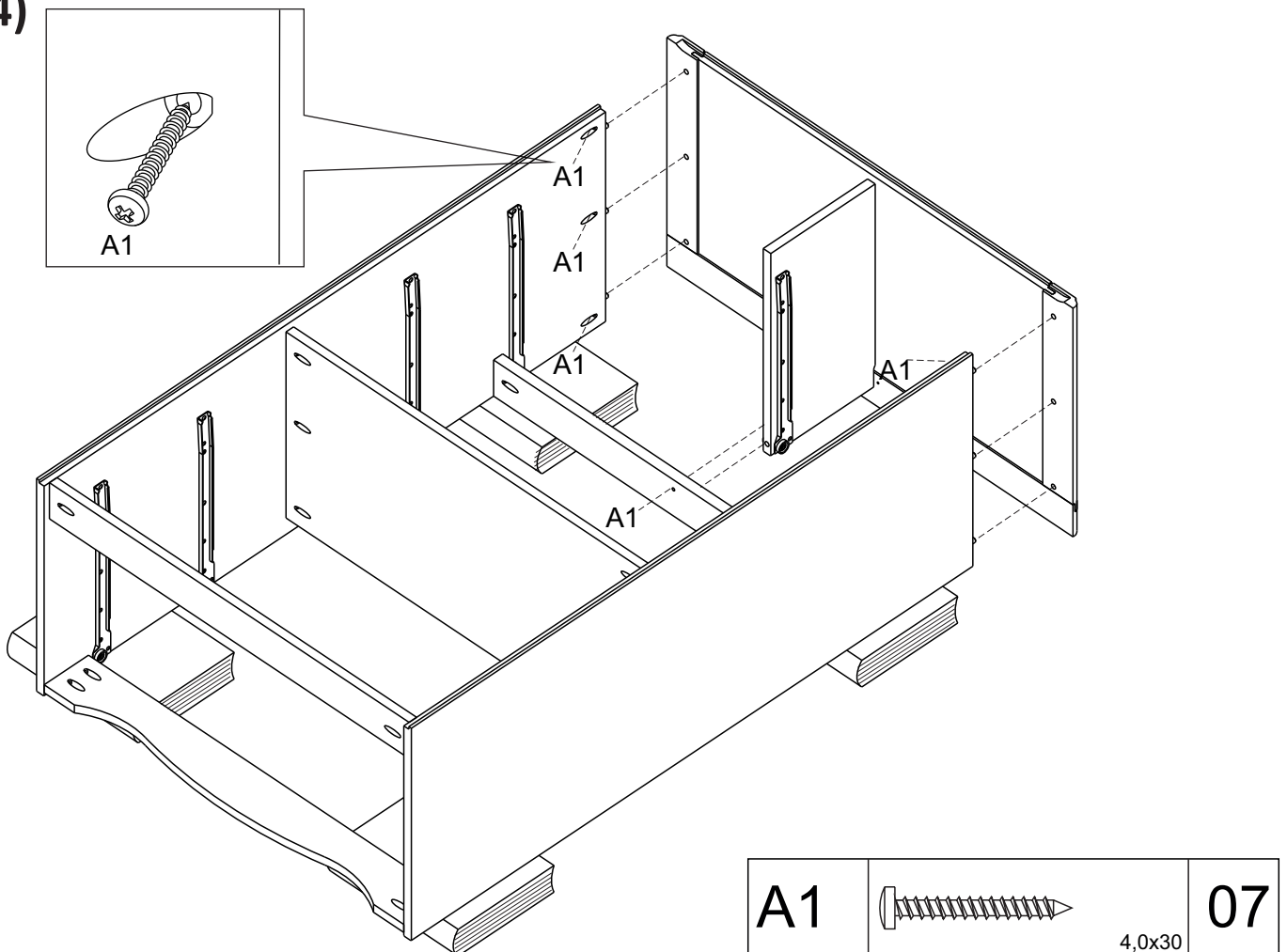
02)



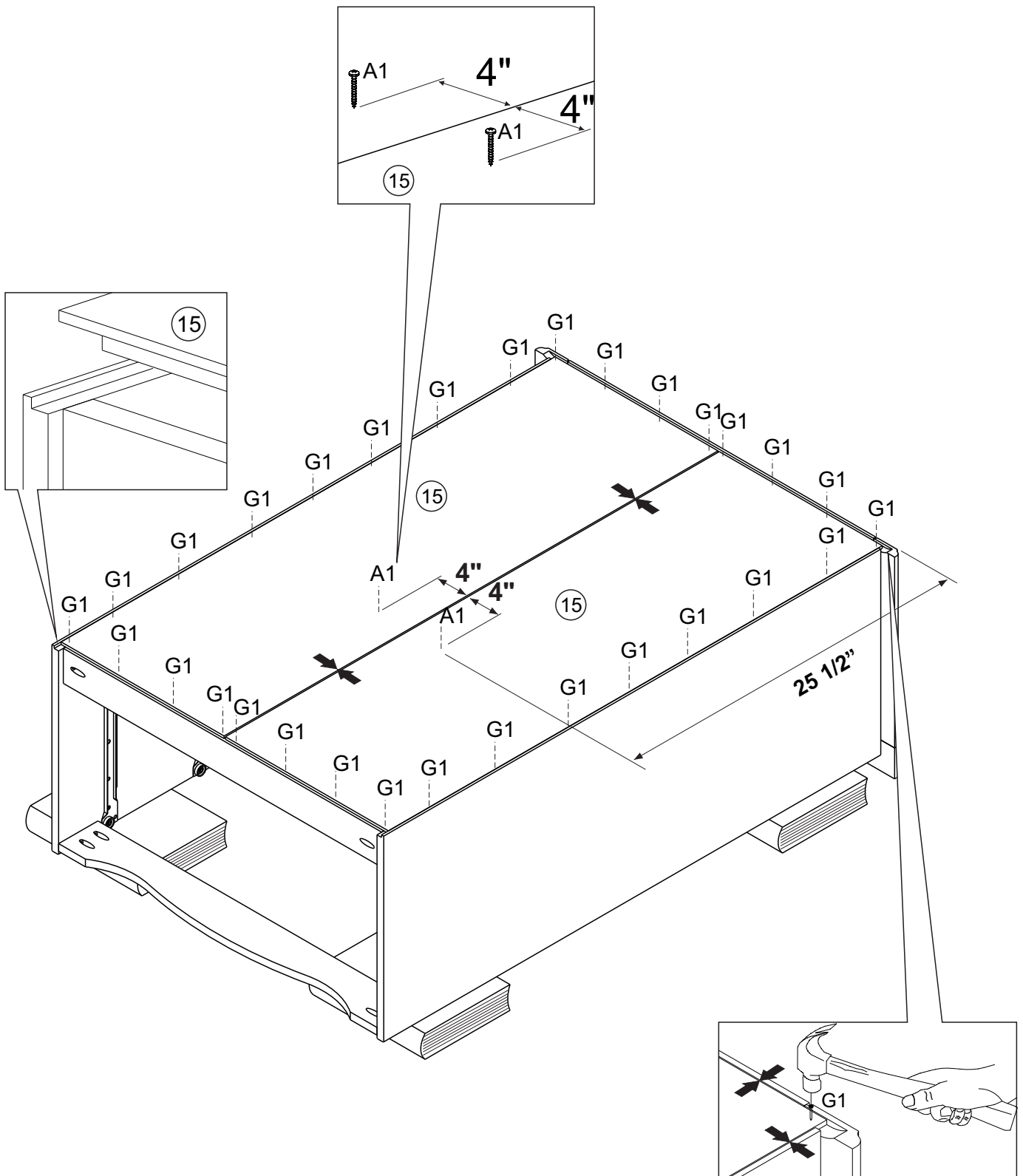
03)


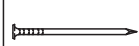


04)



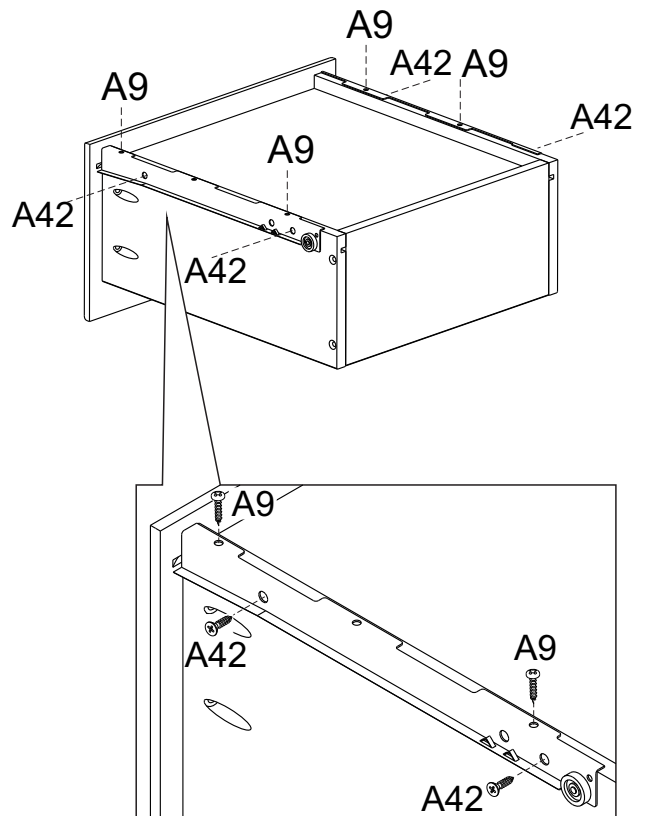
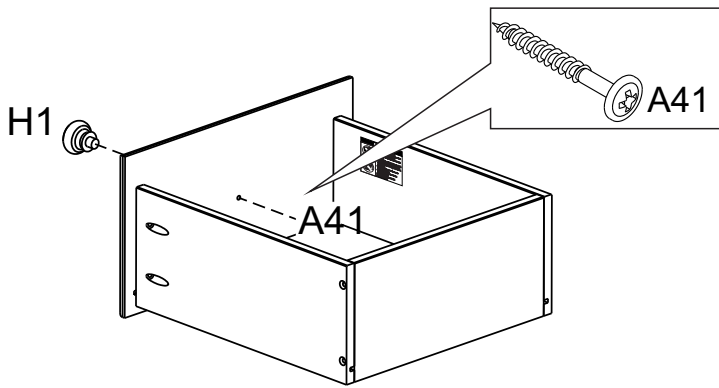
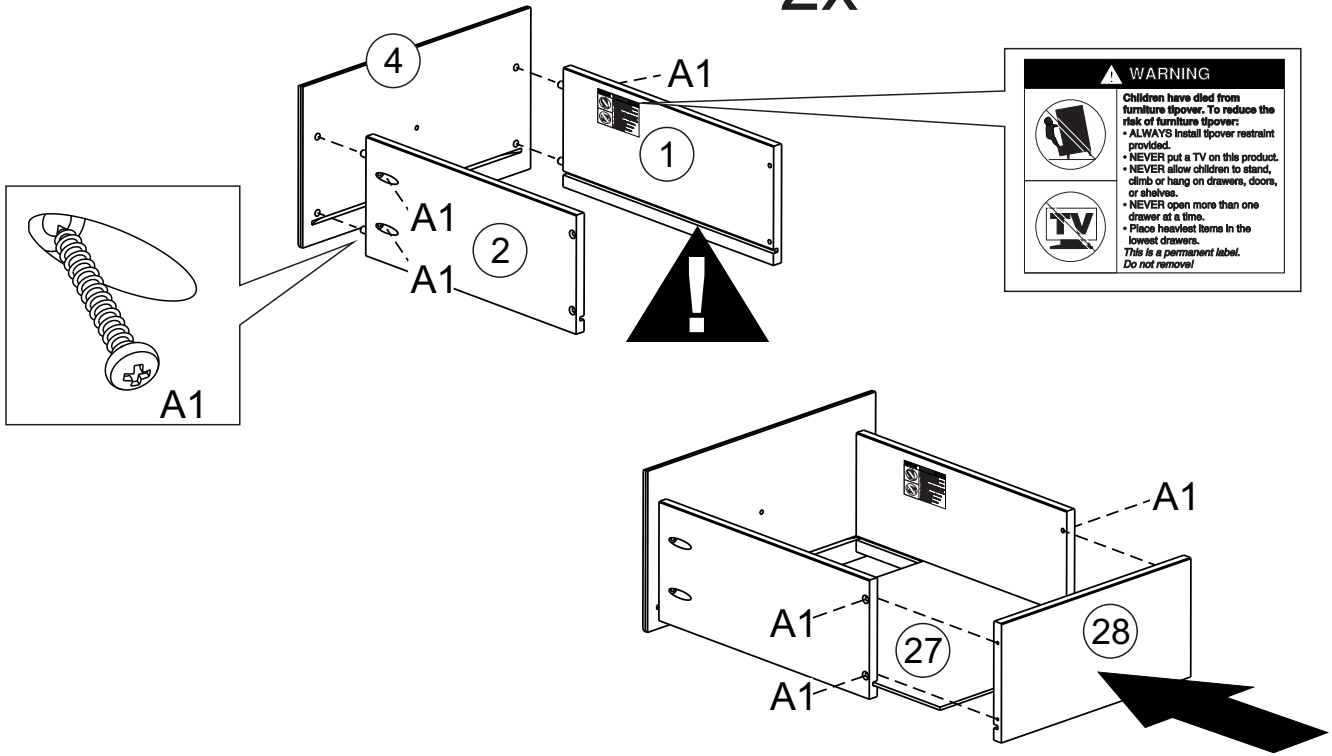
05)

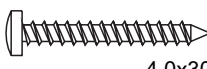
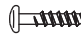
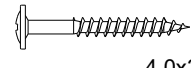






A1	 4,0x30	02
G1	 10x10	30

06)

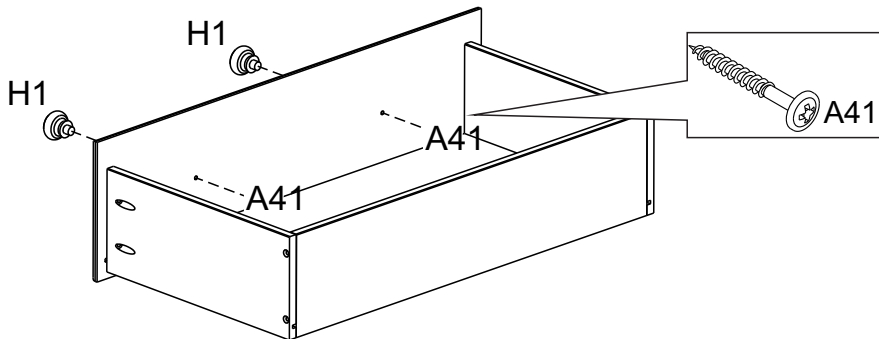
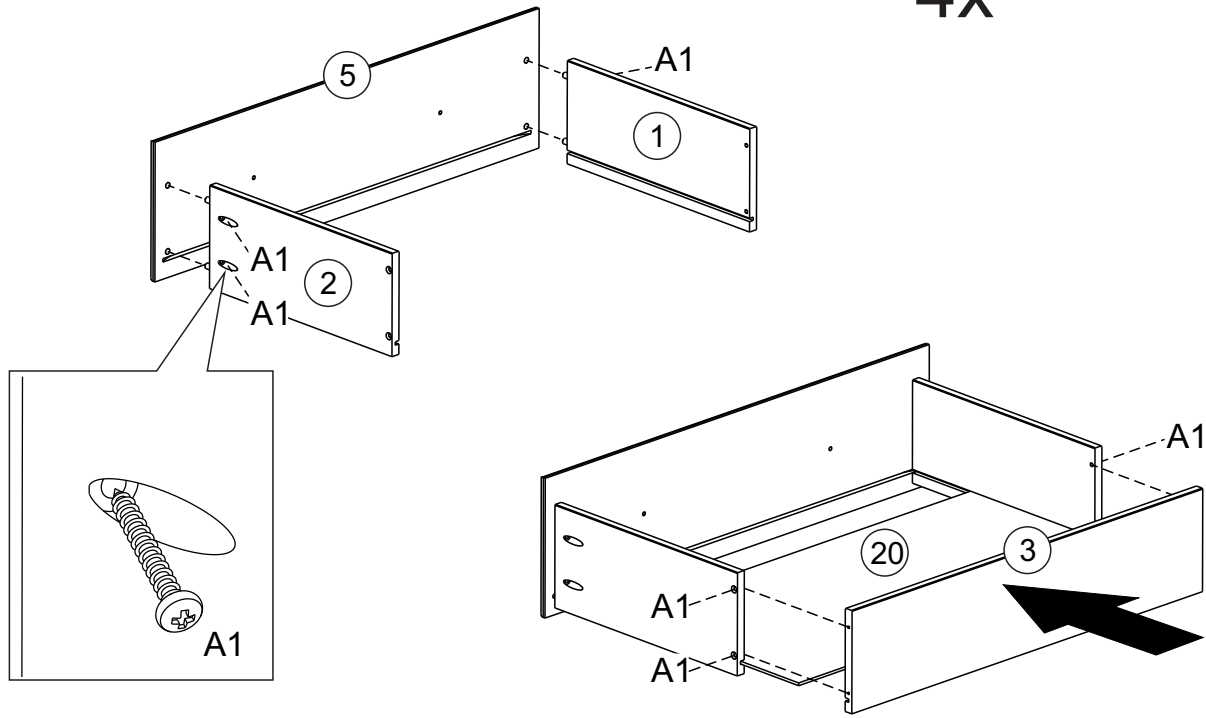
2x



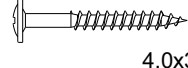

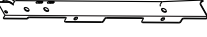




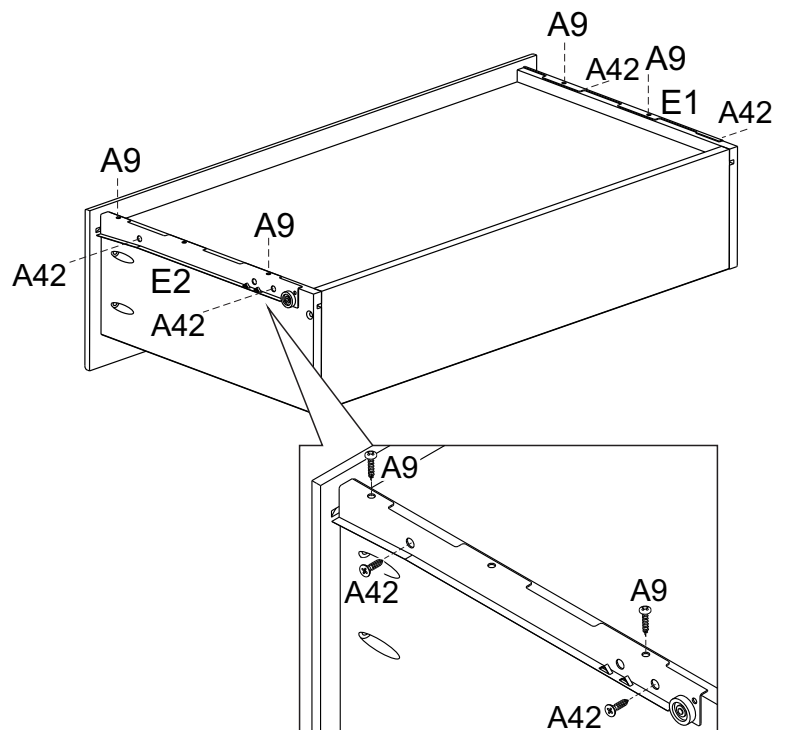
A1	 4,0x30	16
A9	 3,5x16	08
A41	 4,0x30	02
A42	 4,0x14	08
E1	 330mm - 13"	02
E2	 330mm - 13"	02
H1		02

07)

4x

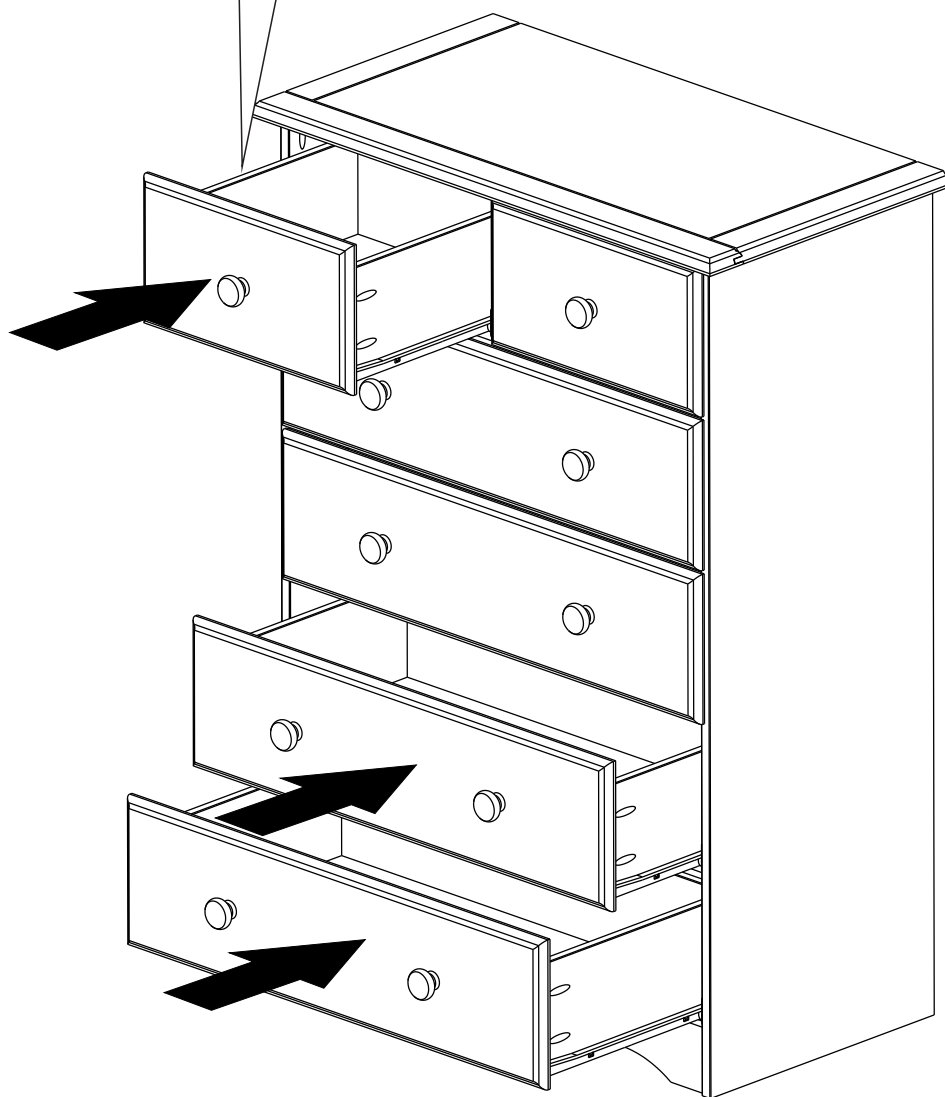
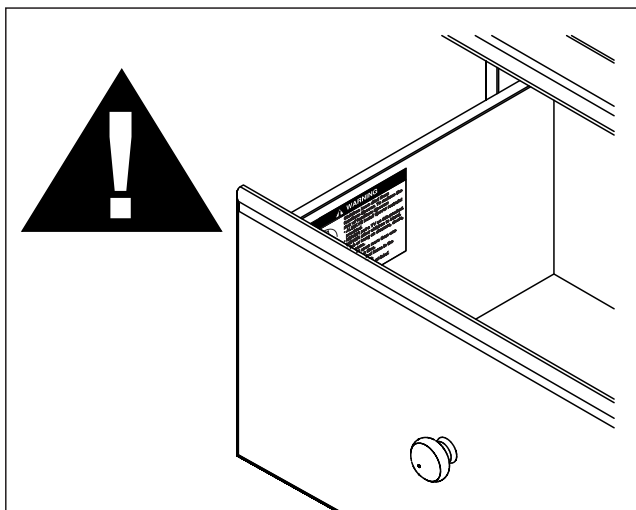


A1	 4,0x30	32
A9	 3,5x16	16
A41	 4,0x30	08
A42	 4,0x14	16
E1	 330mm - 13"	04
E2	 330mm - 13"	04
H1		08

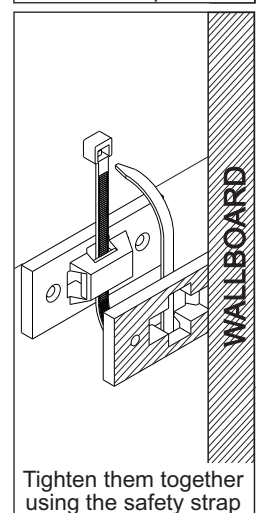
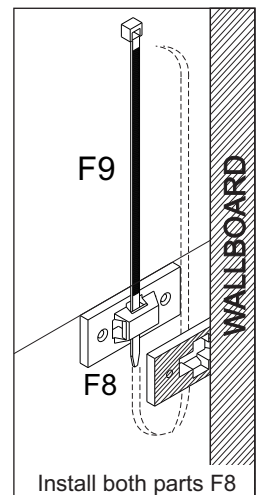
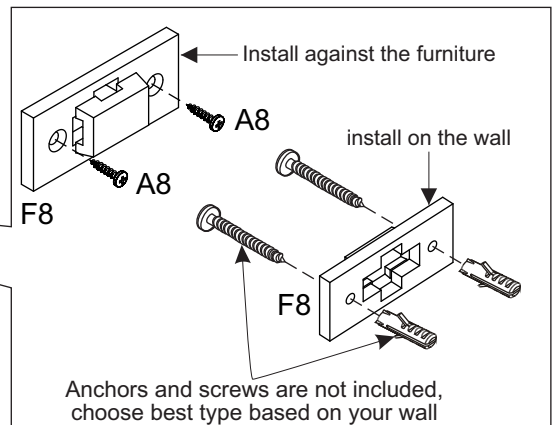
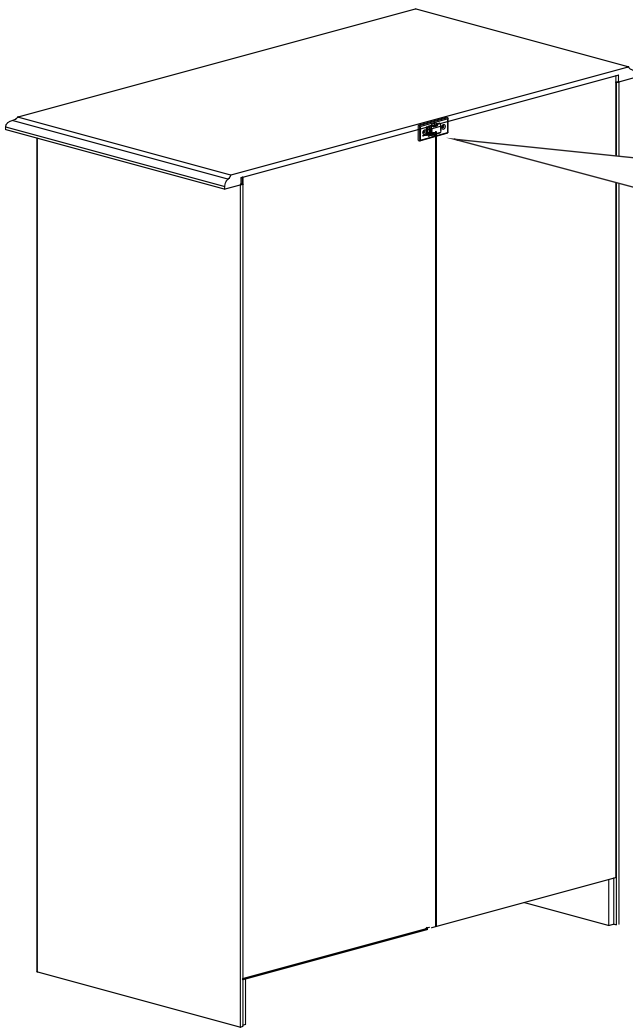
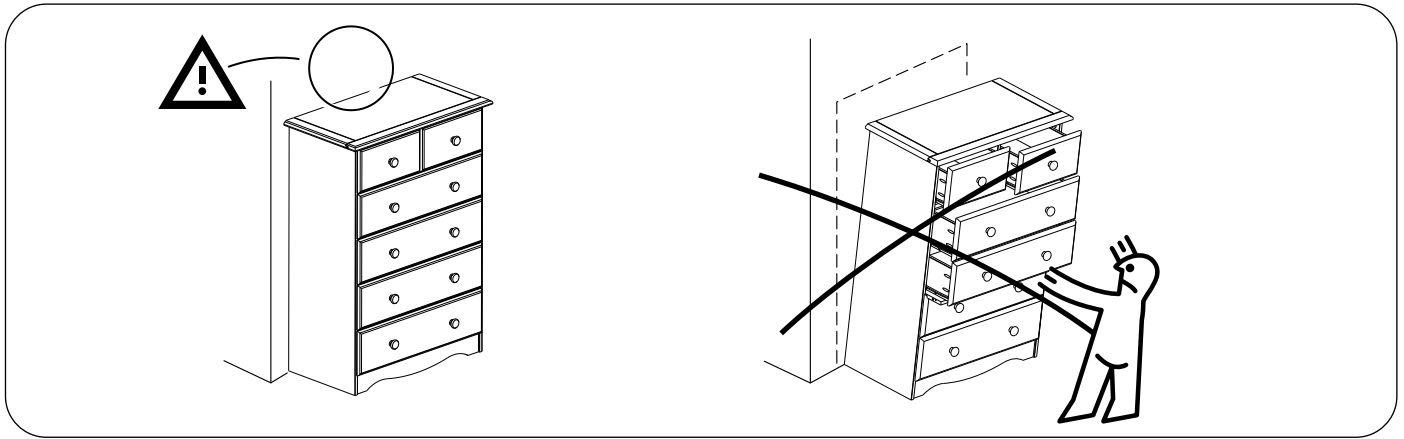



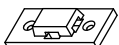

08)

Place the labeled drawer on the top position



09) FURNITURE ANTI-TIPPING RESTRAINT KIT



A8	 3.0x20	02
F8		02
F9		01