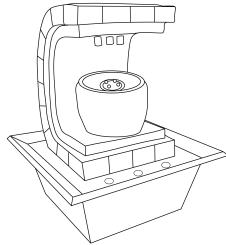


IMPORTANT!!PLEASE READ ENTIRE INSTRUCTION SHEET BEFORE ASSEMBLY!!

Tabletop Fountain with LED Light



Step 1:
Take the fountain out of the box, so you have two pieces, the top and the bottom. Take the LED light and place it in the corresponding hole.

Step 2:
Plug the lights into the adaptor that is connected to the pump.

Step 3:
Connect the pump to the tubing on the bottom of the fountain.

Step 4:
Take the cord and place it in the groove that is cut out towards the back side of the fountain.

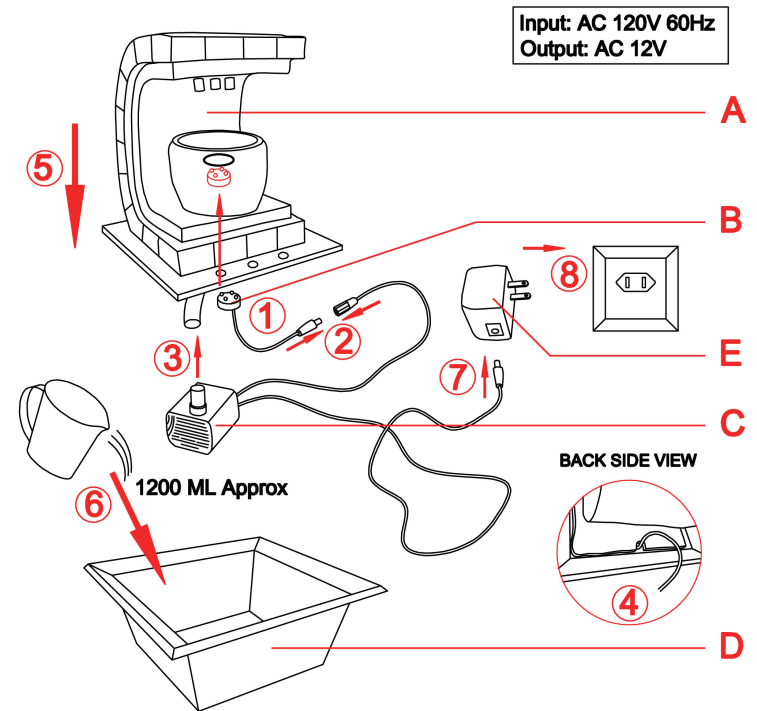
Step 5:
Put the assembled fountain on the basin.

Step 6:
Put water (1200 ml approx.) in the basin of the fountain (about 1/2 way full) take all cords and pump and place it in the water, be sure to make sure there is enough water in the bottom of the fountain so that the pump will be completely submersed.

Step 7:
Connect the adaptor to the pump cable.

Step 8:
Plug the pump in and enjoy.

PARTSLIST					
A	Fountain topper	1pc	B	LED light	1pc
C	Water pump	1pc	D	Fountain base	1pc
E	Adaptor	1pc			



Be careful not to spill water onto the plug of the pump. DO NOT allow the pump to run dry!