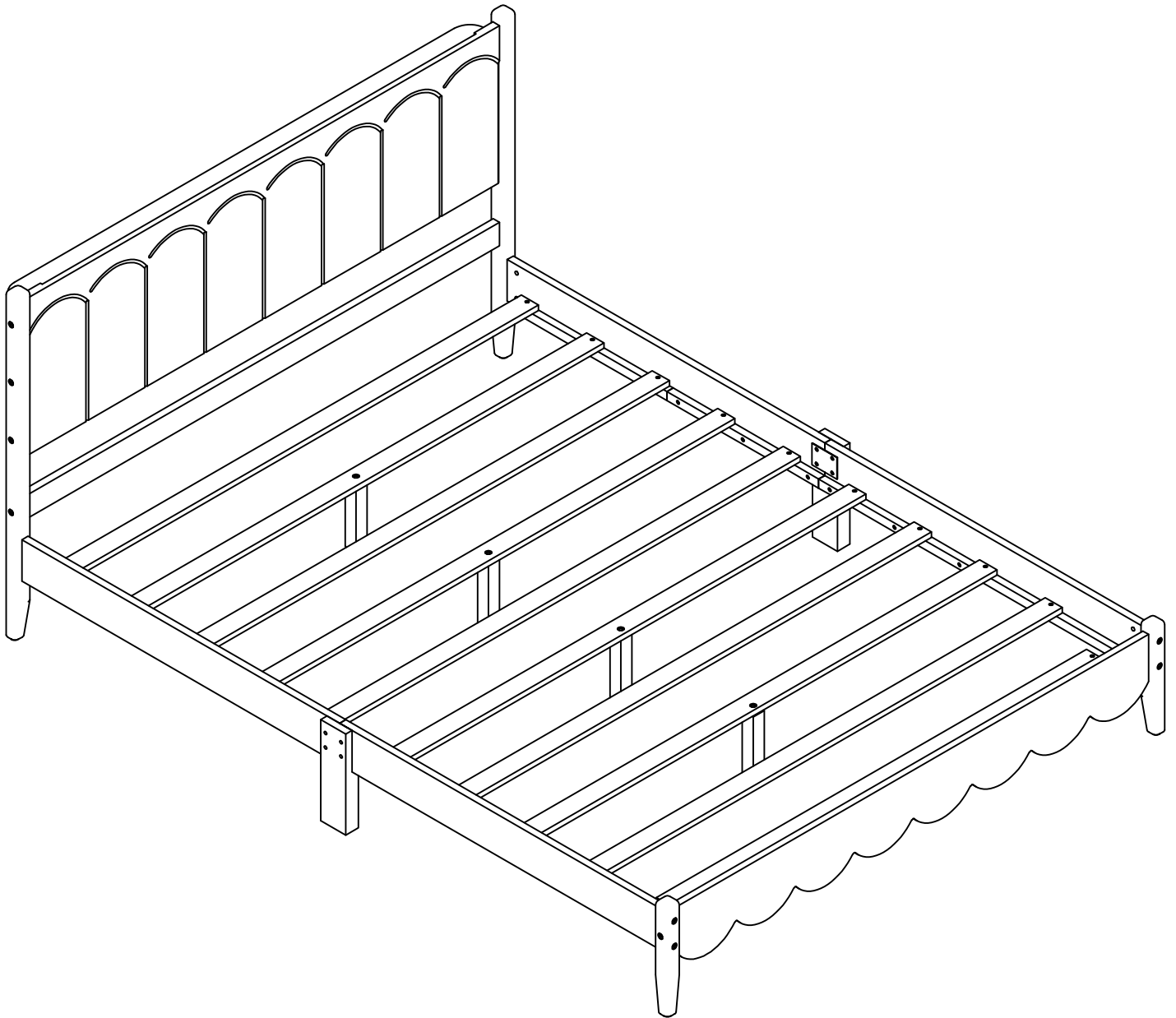
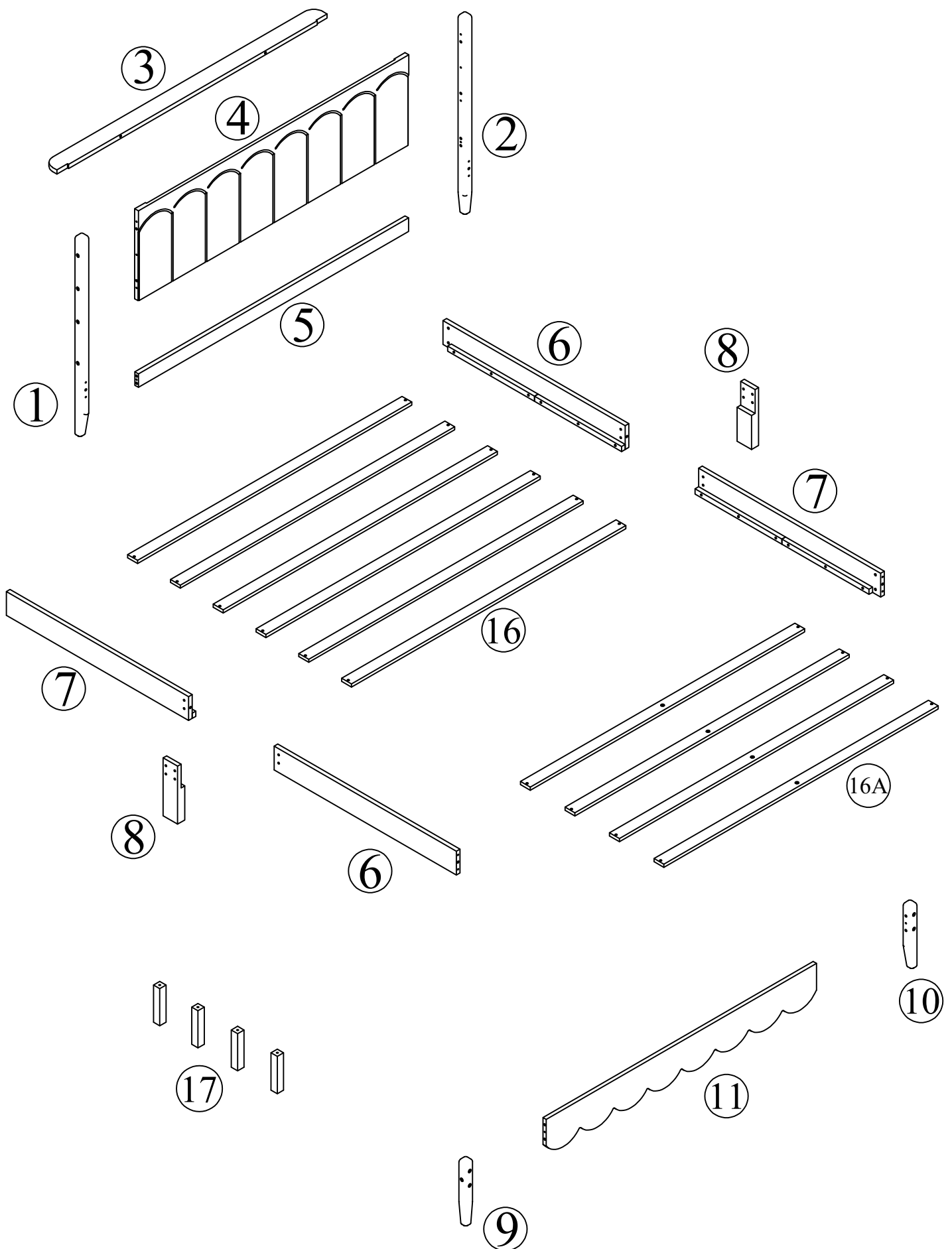


ASSEMBLY INSTRUCTIONS

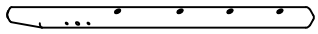
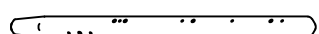

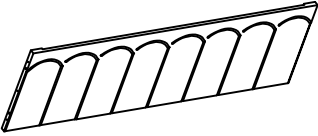
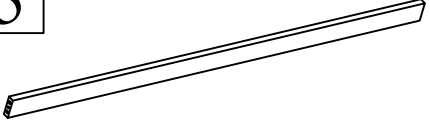
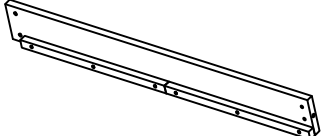
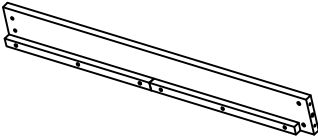
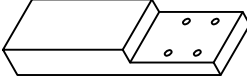

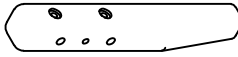
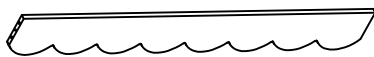
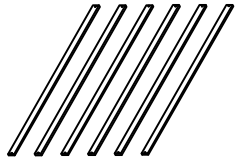
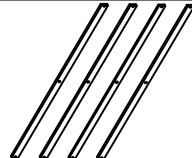
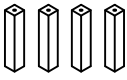
QUEEN BED



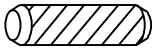
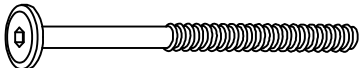



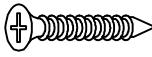
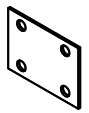

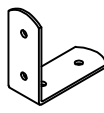
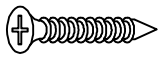
Detail View



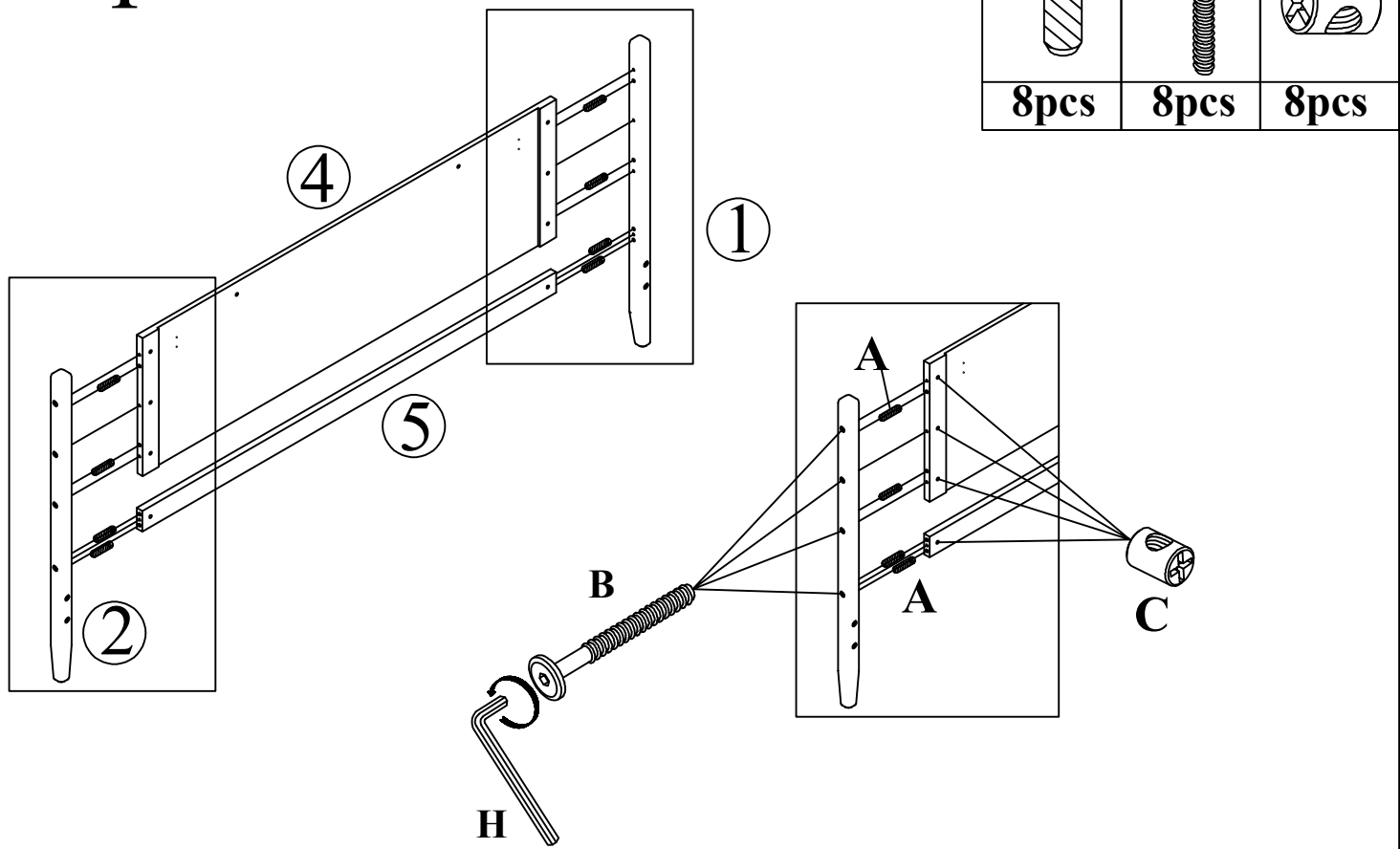
Part Lists

<p>1</p> 	<p>2</p> 	<p>3</p> 
<p>Front leg (left) - 1pc</p>	<p>Hind leg (left) - 1pc</p>	<p>Rear shelf - 1pc</p>
<p>4</p> 	<p>5</p> 	<p>6</p> 
<p>Floral frame - 1pc</p>	<p>Lower beam - 1pc</p>	<p>Shoulder bed (L/R) - 2pcs</p>
<p>7</p> 	<p>8</p> 	<p>9</p> 
<p>Shoulder bed (L/R) - 2pcs</p>	<p>Shoulder bed (L/R) - 2pcs</p>	<p>Shoulder bed (L/R) - 1pc</p>
<p>10</p> 	<p>11</p> 	<p>16</p> 
<p>Shoulder bed (L/R) - 1pc</p>	<p>Shoulder bed (L/R) - 1pc</p>	<p>Slats - 6pcs</p>
<p>16A</p> 	<p>17</p> 	
<p>Slats 3 hole - 4pcs</p>	<p>Support bar - 4pcs</p>	

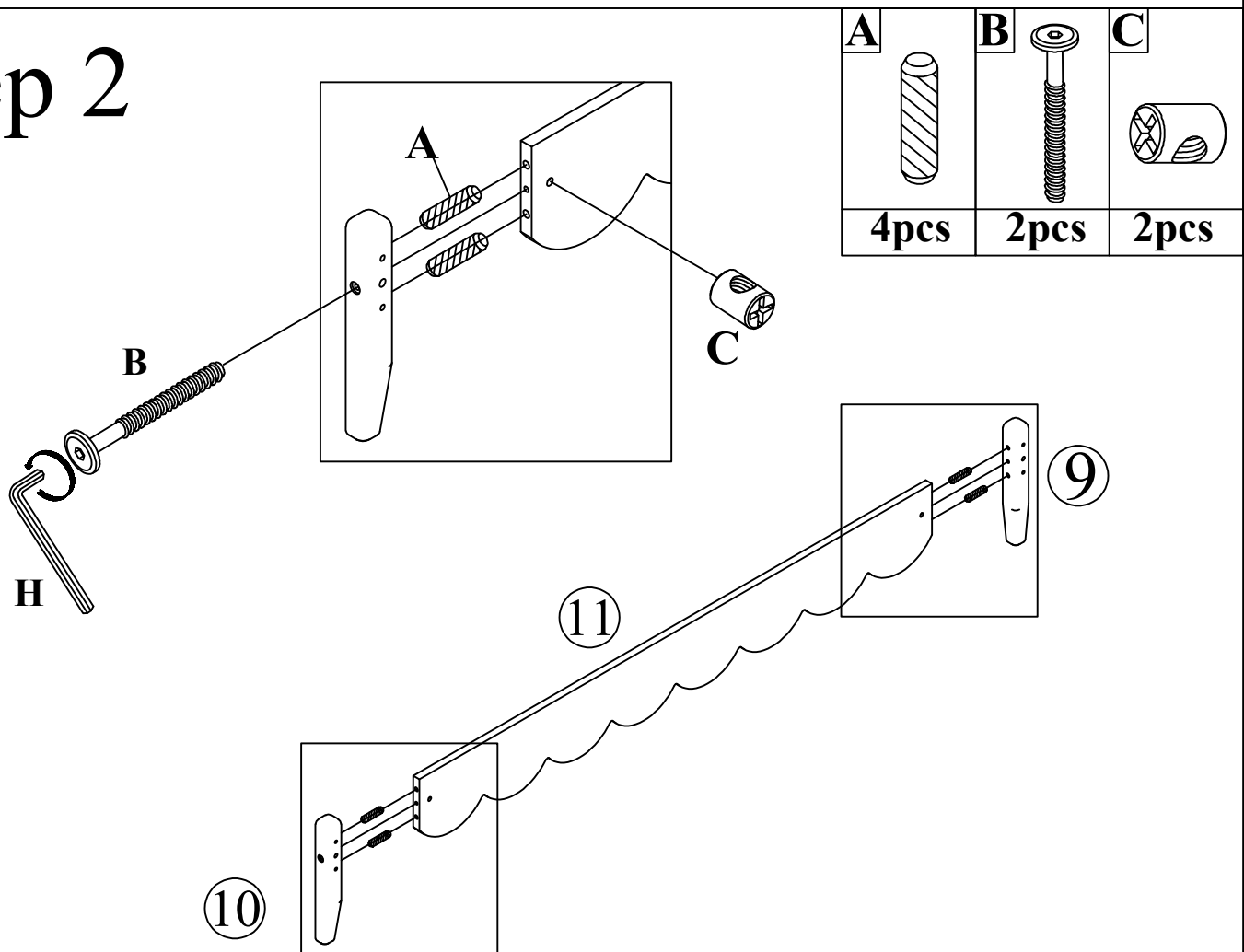
Hardware Lists

A  Ø10*30mm Wood dowel (20pcs)	B  Ø1/4"*85mm Hex-Head bolt (18pcs)	C  Ø1/4"*9.5*12mm Horizontal-Hole bolt (18pcs)
D  Ø1/4"*35mm Hex-Head bolt (12pcs)	E  Ø1/4" Nut (8pcs)	F  #4*30mm Screw (20pcs)
G  3x80x60mm Pass - 2pcs	H  K4mm Allen key (1pc)	J  Pass L (3pcs)
K  #4*15mm Screw (12pcs)		

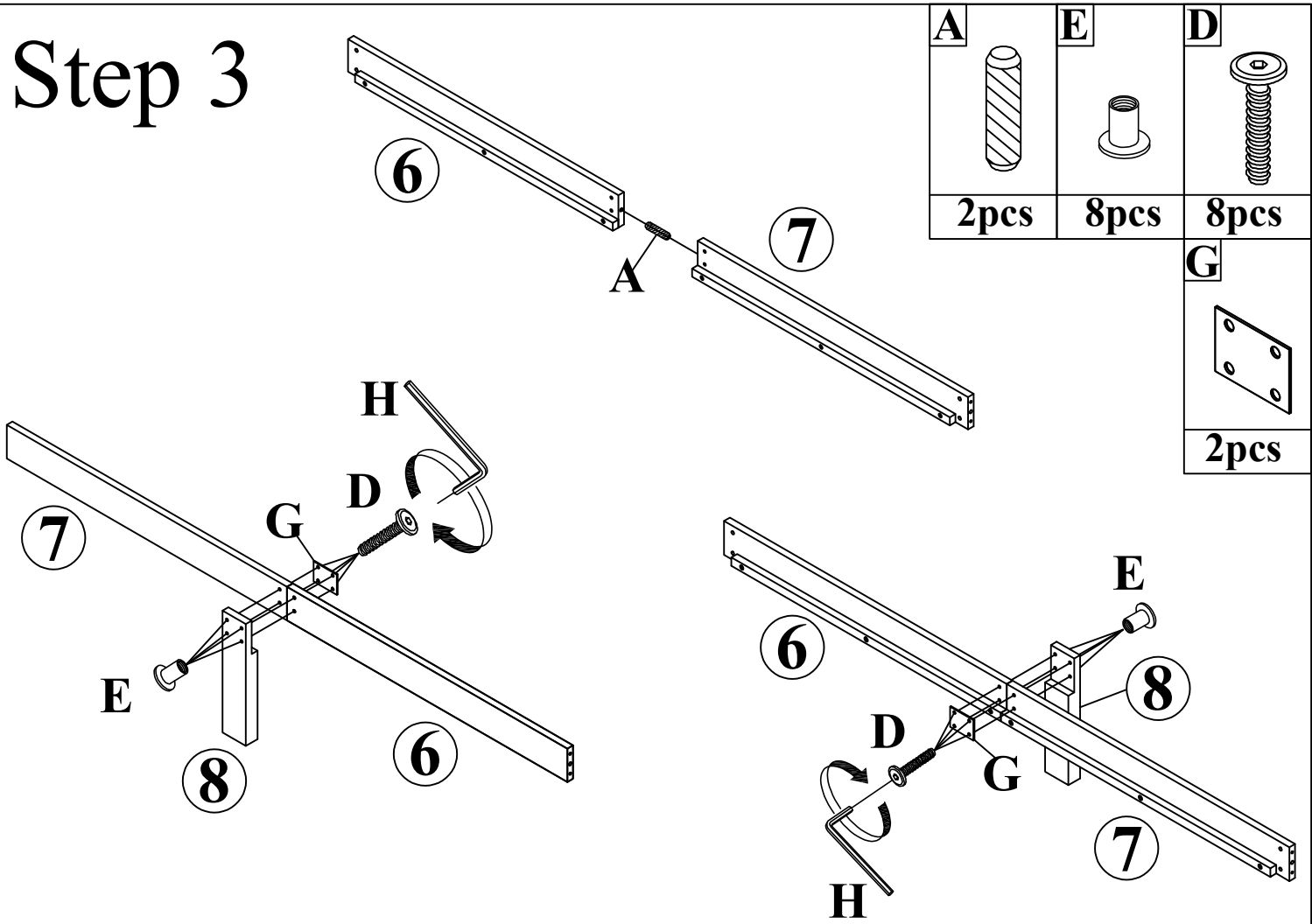
Step 1



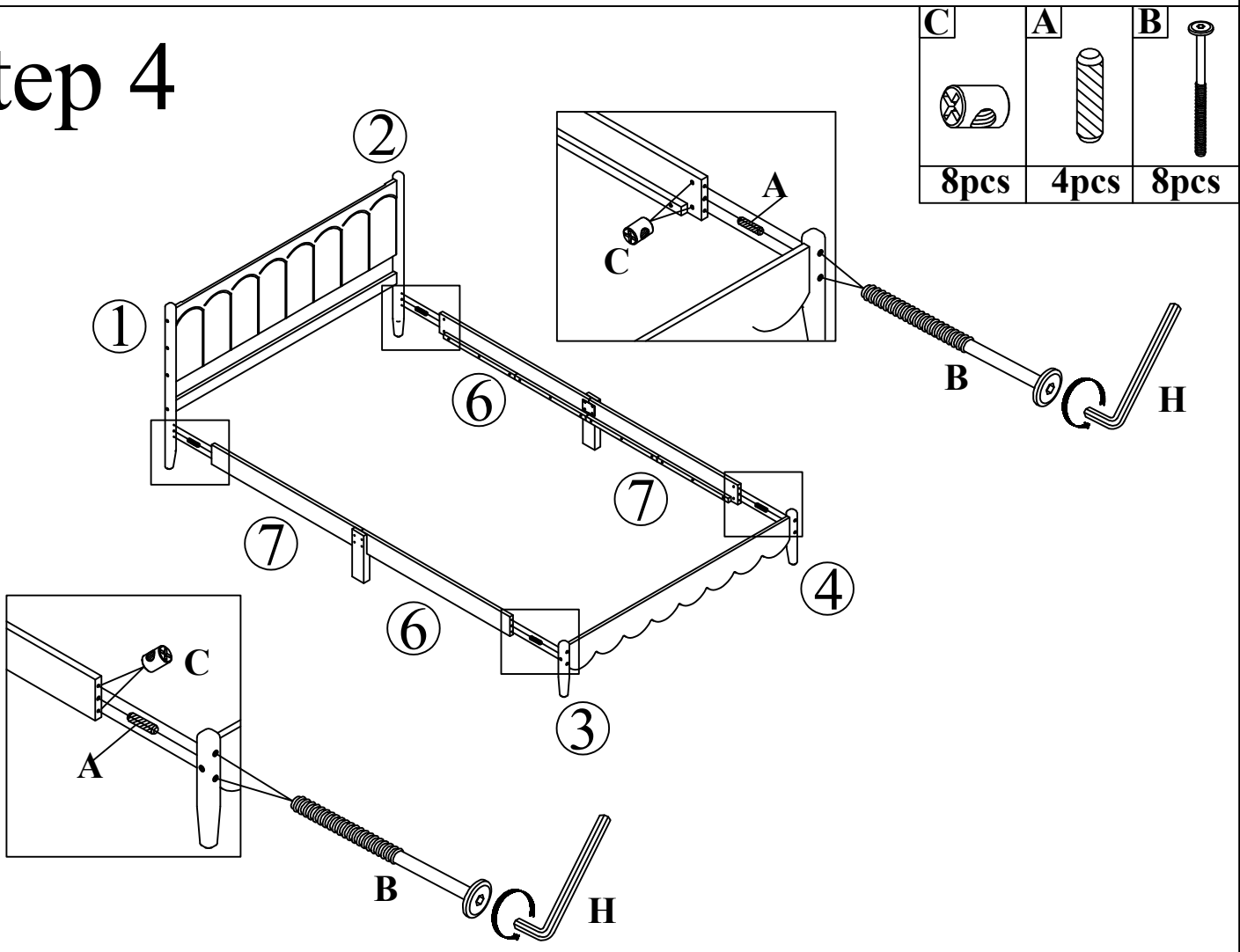
Step 2



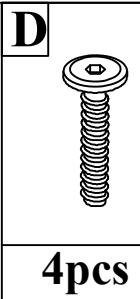
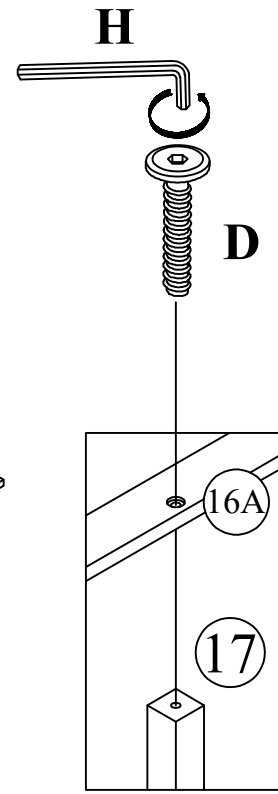
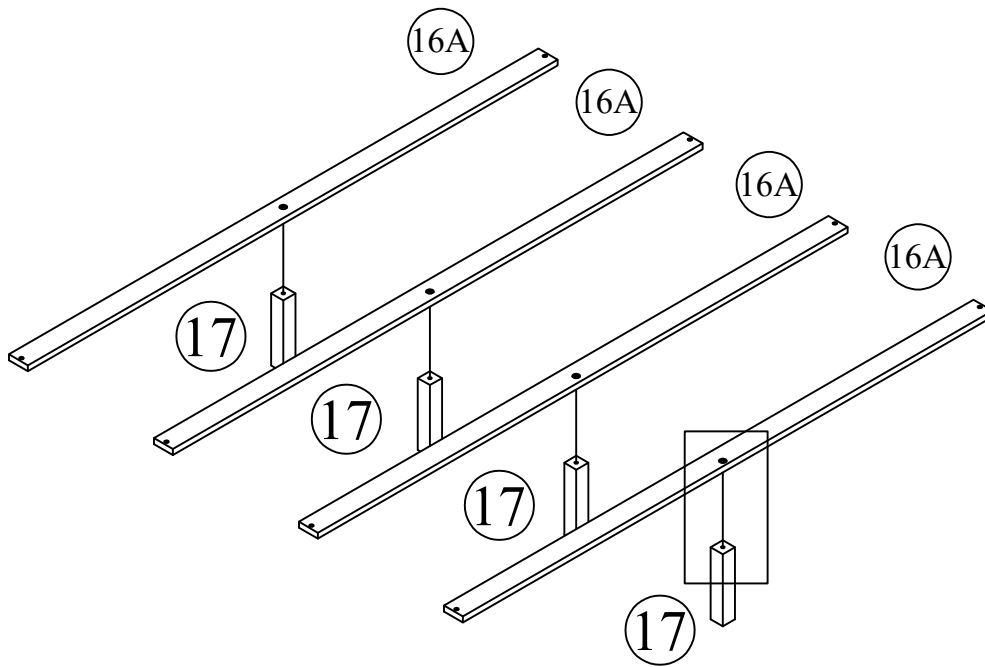
Step 3



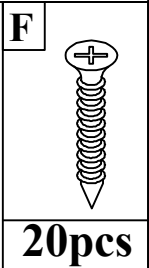
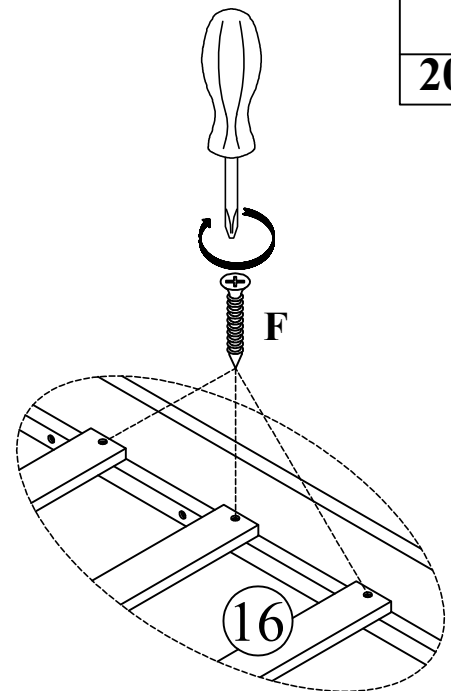
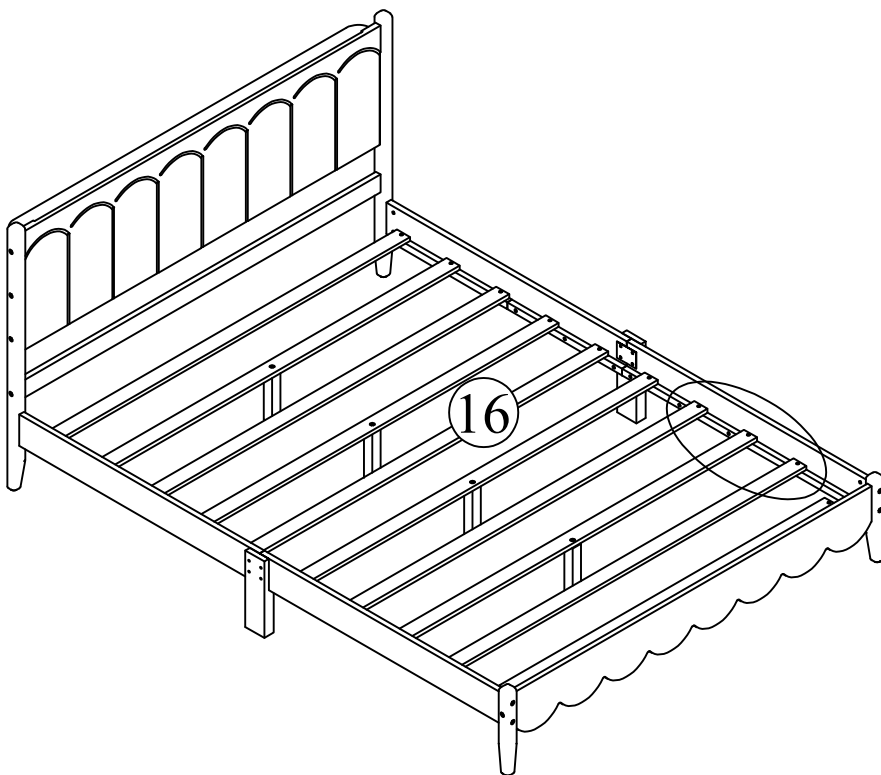
Step 4



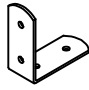

Step 5

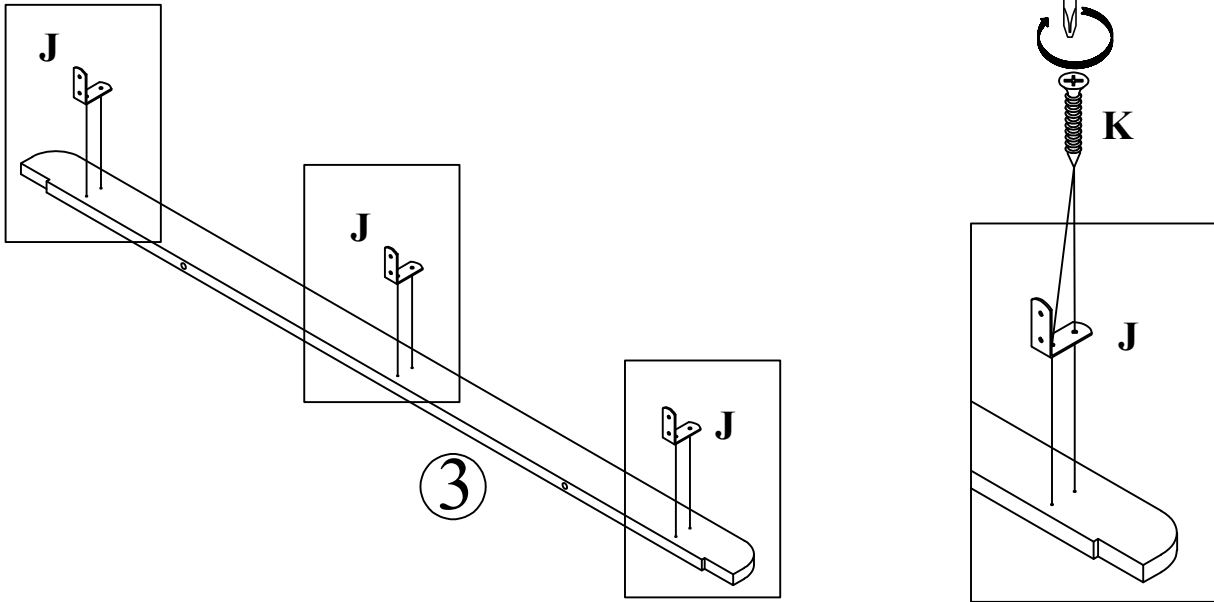


Step 6





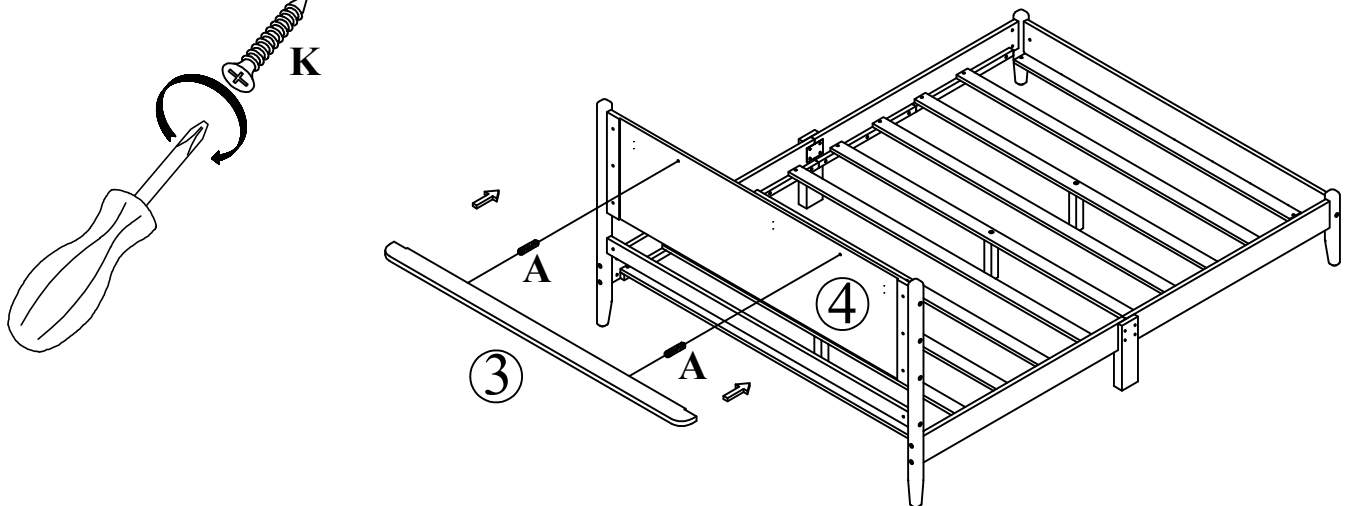
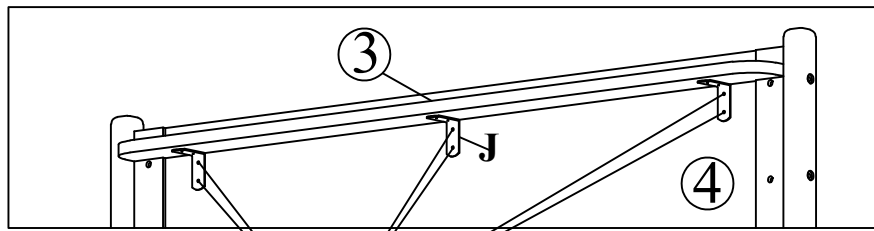
Step 7

J 	K 
3pcs	6pcs



Step 8

A 	K 
2pcs	6pcs



COMPLETED

