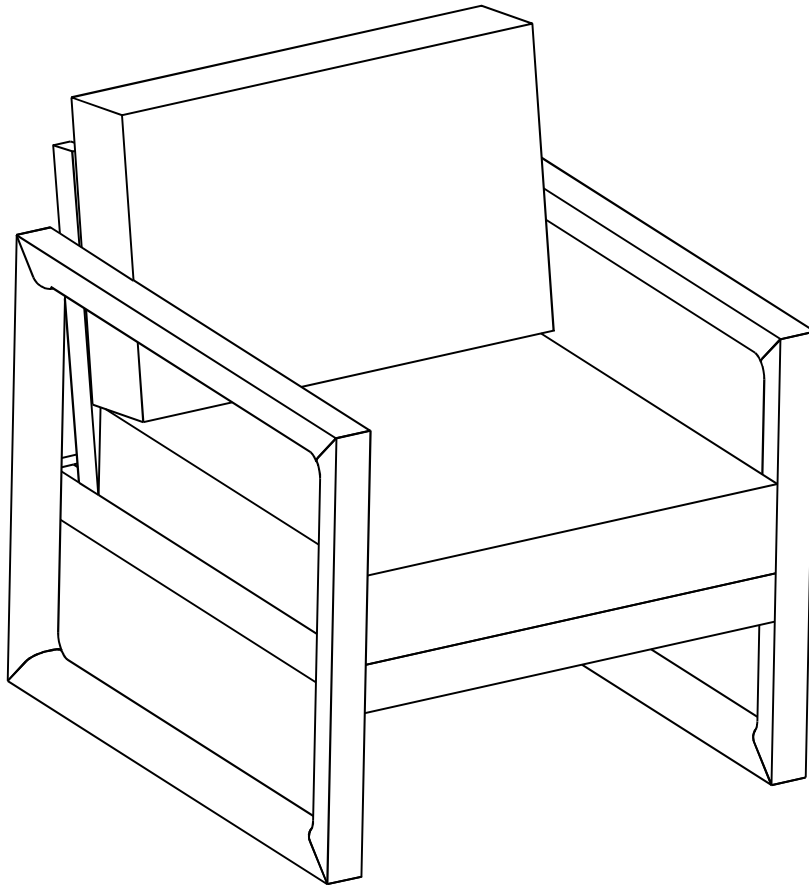


# Assembly Instructions

**Caution: You must read this before you proceed**

**Please look in the Seat Panel for hardware packs**

## CHAIR

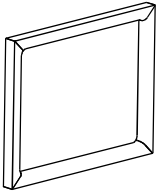
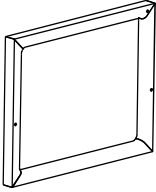
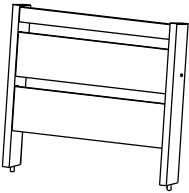
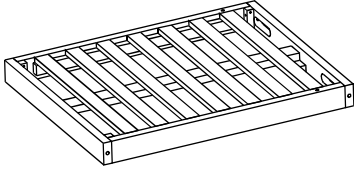
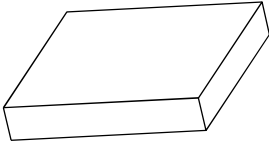
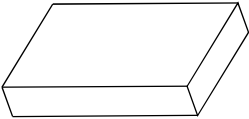


**Caution: This Chair is NOT a TOY.**





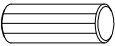

Keep your child / children at bay during the assembly process.

Whenever moving or lifting the Chair and to prevent any possible damage to it, two adults are needed to execute this action.

# Parts List

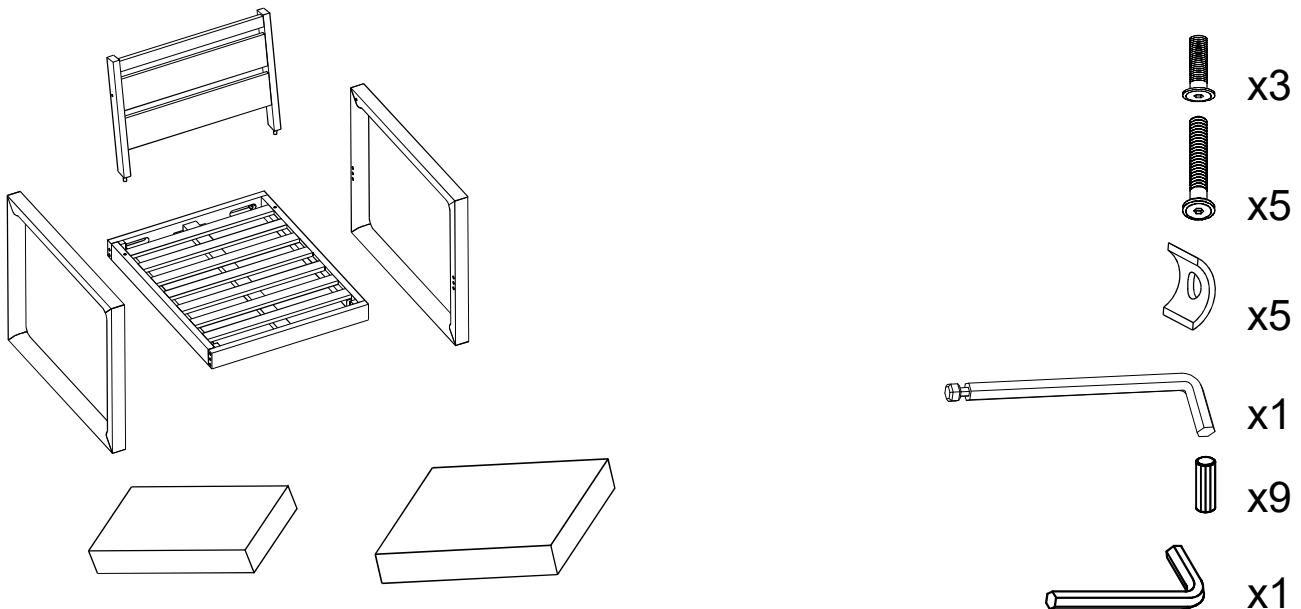
Label	Picture	Description	QTY
A		Right Leg Panel	1
B		Left Leg Panel	1
C		Backrest Panel	1
D		Seat Panel	1
E		Seat Cushion	1
F		Backrest Cushion	1

# Hardware

Label	Picture	Description	QTY
①		Bolt (M6x40 mm)	3
②		Bolt (M8x70 mm)	5
③		Curve Washer (17x20x2mm)	5
④		Allen Wrench (25x110mm)	1
⑤		Wooden (Ø10x30mm)	9
⑥		Allen Wrench (20x60mm)	1

# Assembly Preparation

Before Beginning Assembly:



- Read instructions, cover to cover-



- Have 2 adults on hand for assembly-



- Do not assemble on flooring or carpet-



- Assemble on a clean non-marring surface (packing foam)-

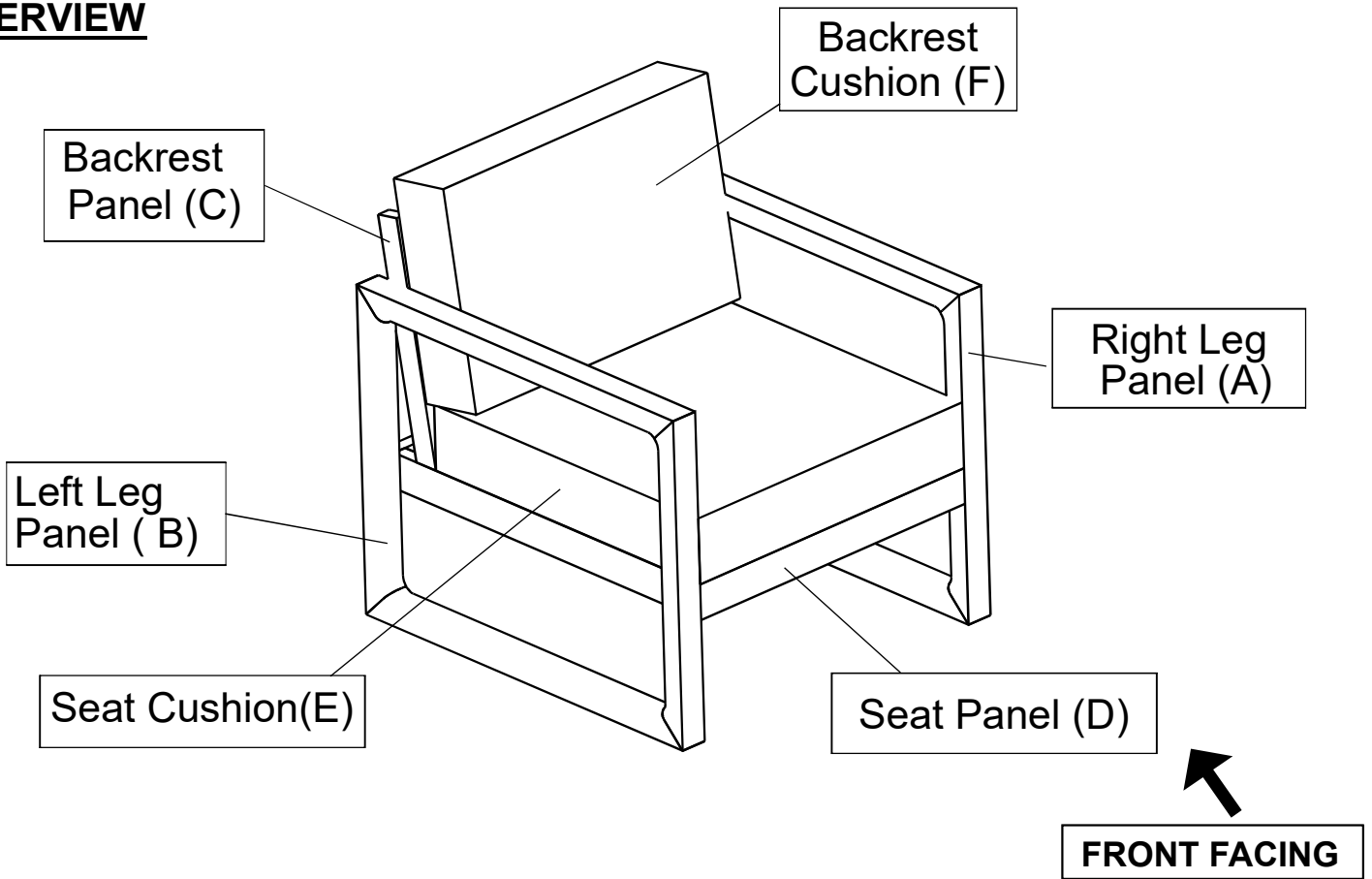


- Save all packaging until finished-

# Assembly Preparation

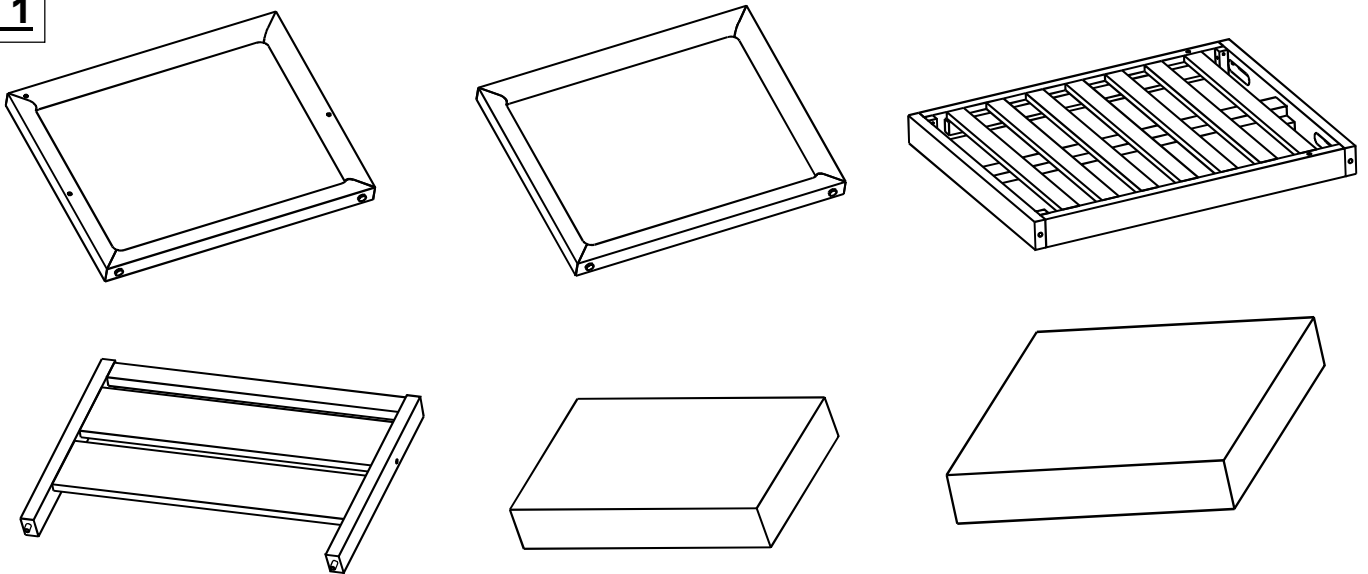
Before Beginning Assembly:

## OVERVIEW



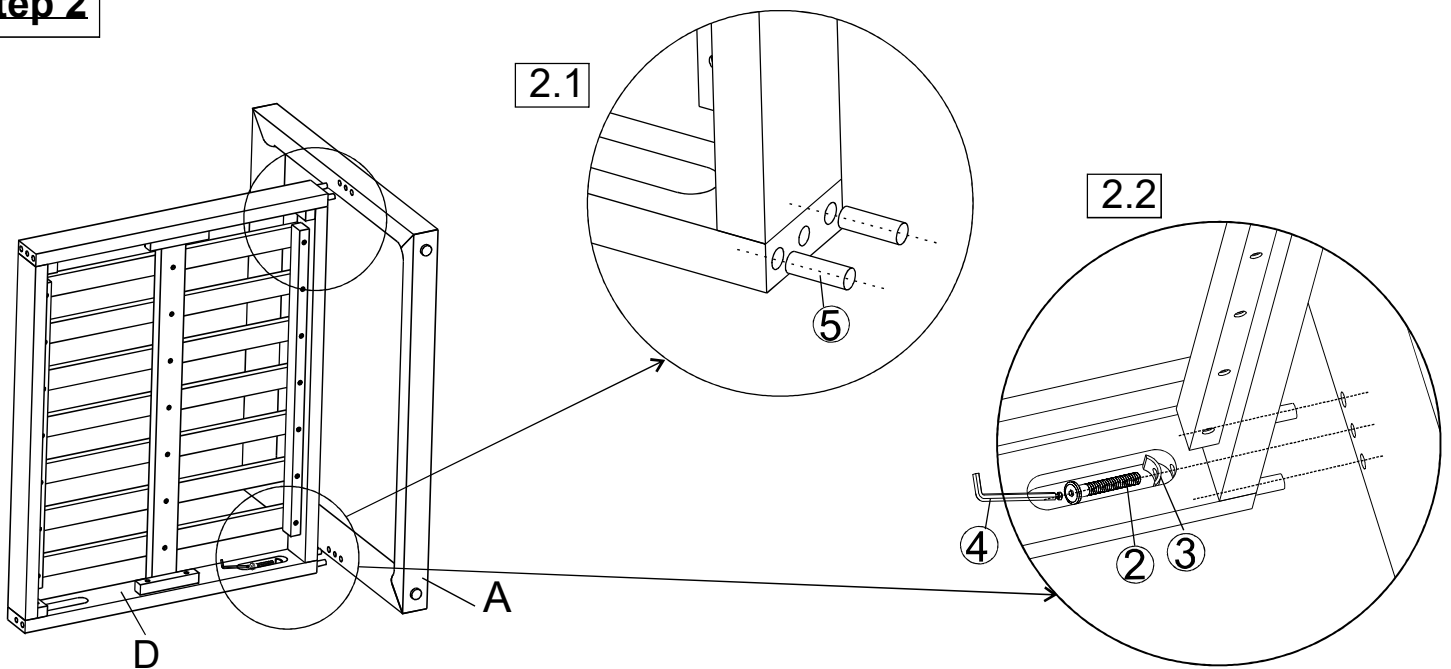
This Chair has multiple parts and may require up to 30 minutes to assemble. To give you an overview of the Chair parts, the above picture is to help you put the various parts into perspective. Please read through the instructions below to familiarise yourself with the parts and steps before assembly.

## Step 1



Unpack and place all parts on a clean, non-marring surface.

## Step 2

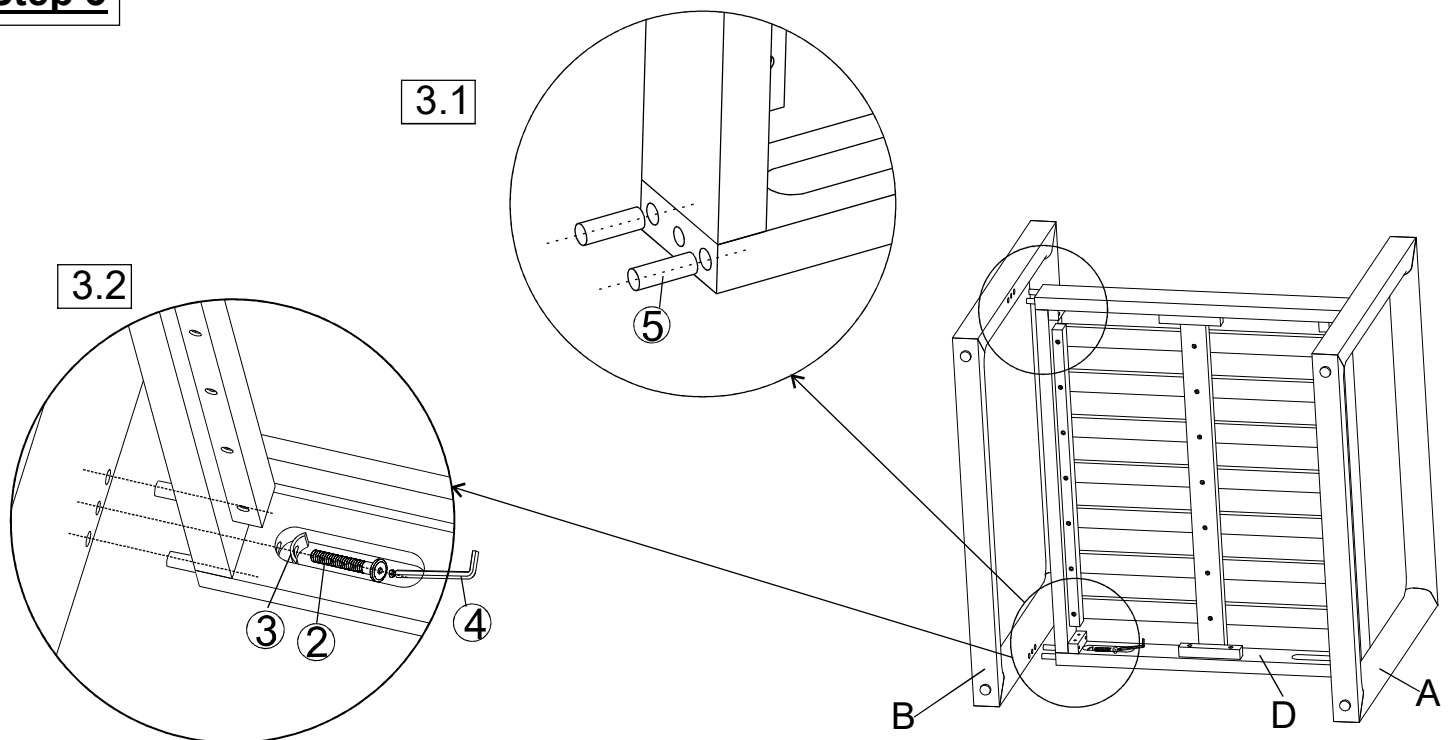


2.1. Position the Wooden Dowels (5) into the Seat Panel (D)

2.2.. Attach the Wooden Dowels (5) of the Seat Panel (D) to the mortise of the Right Leg Panel (A), then secure the Seat Panel (D) to the Right Leg Panel (A) using Bolts (2), Curve Washers (3) and the Allen Wrench (4) as shown above

**Do not fully tighten Bolts.**

## Step 3

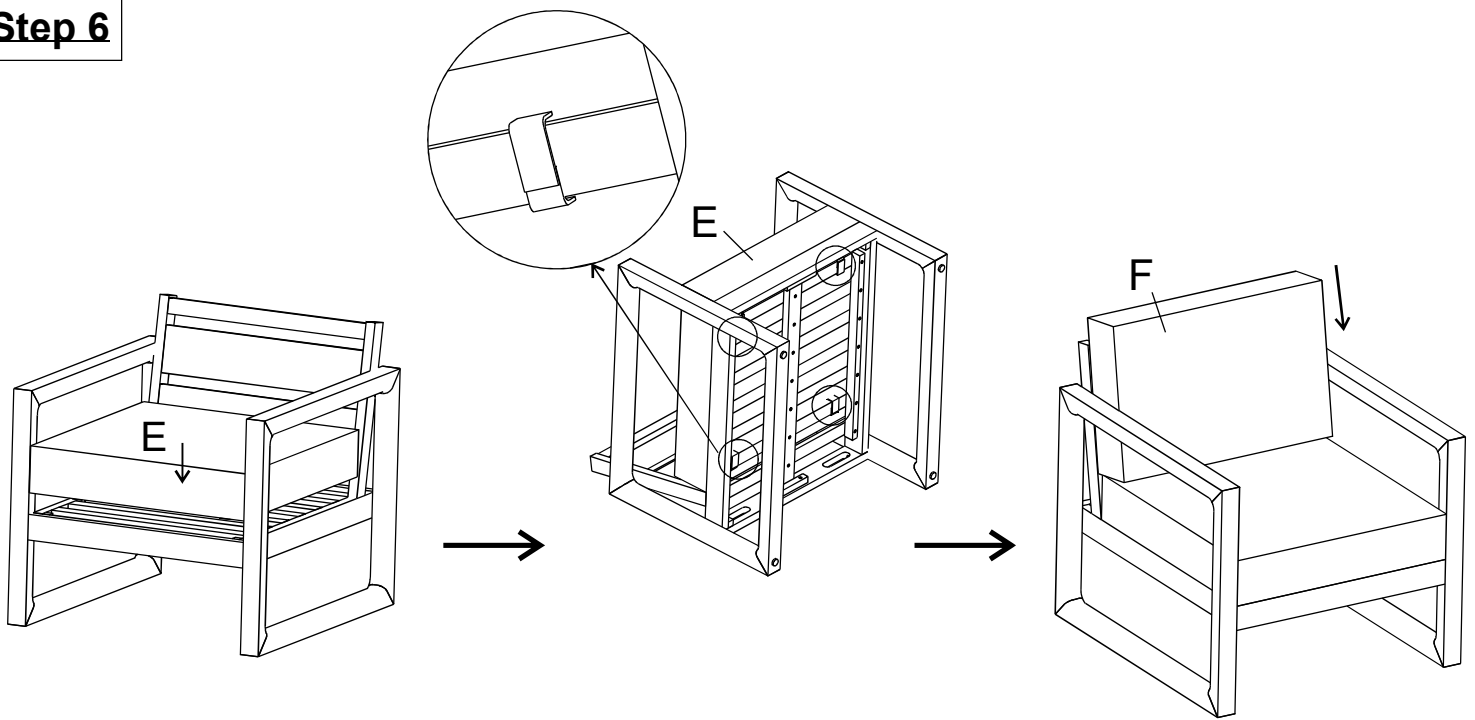


3.1. Position the Wooden Dowels (5) into the Seat Panel (D)

3.2. With assistance from your adult partners, attach the Wooden Dowels (5) of the Seat Panel (D) (the assembly from step 2) to the mortise of the Left Leg Panel (B), then secure the Seat Panel (D) to the Left Leg Panel (B) using Bolts (2), Curve Washers (3) and the Allen Wrench (4) as shown above

**Do not fully tighten Bolts.**

## Step 6

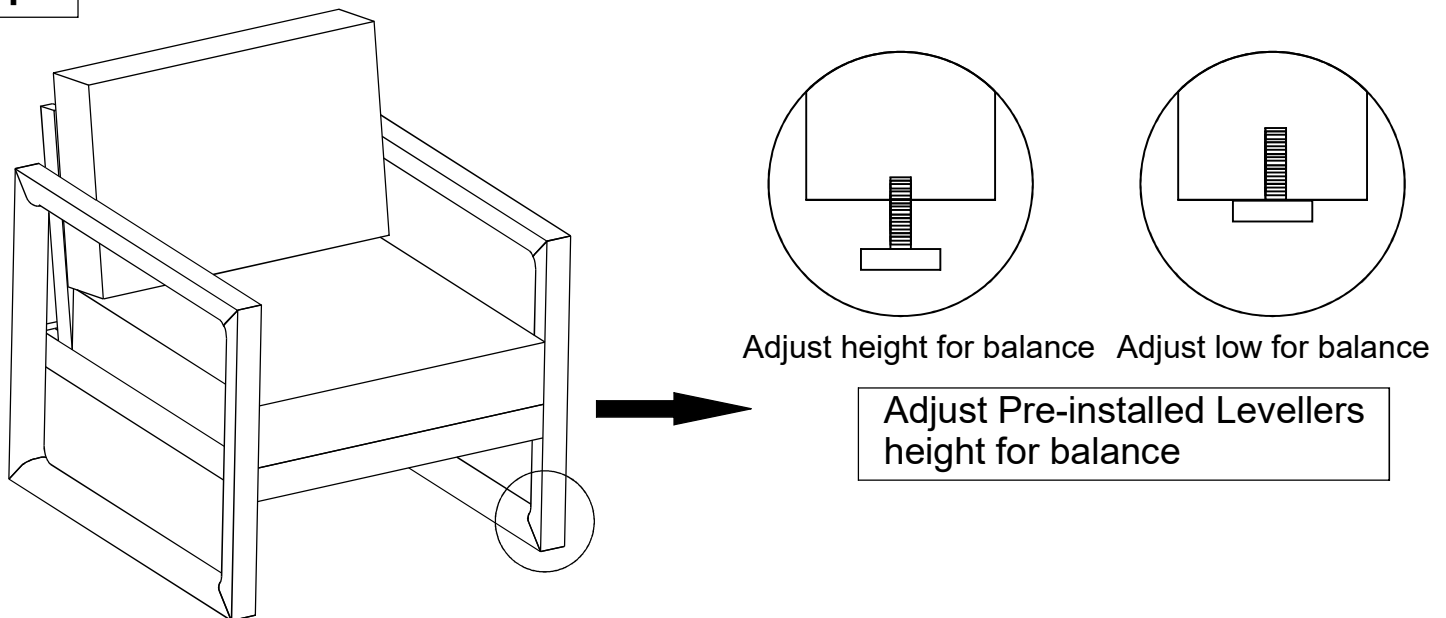


Place the Seat Cushion (E) onto the Chair

Lay down the Chair and tie the magic tape straps of the Seat Cushion (E ) to the slat of the Seat Panel (D) as shown above

Then stand the Chair up and put the Backrest Cushion (F) onto the Chair

## Step 7



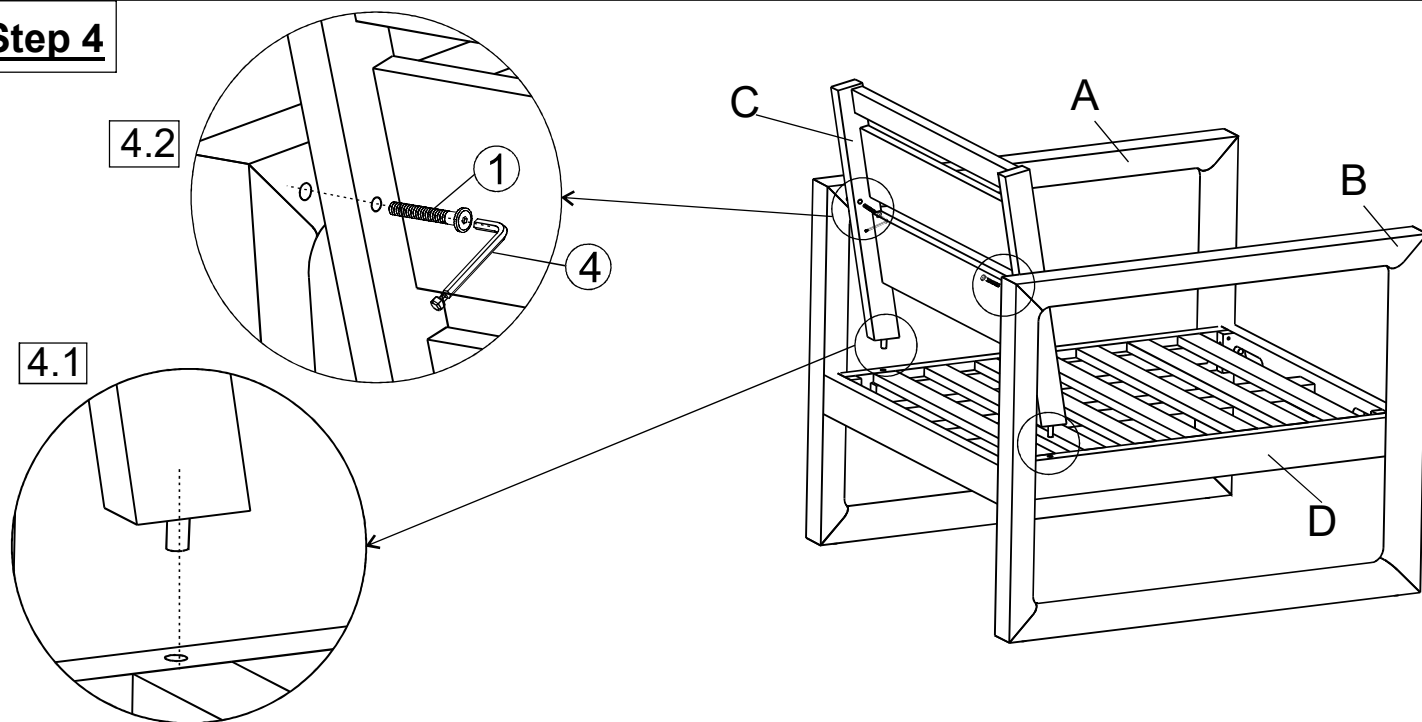
Adjust the Levellers until the Chair is level with the ground.

To adjust the Levellers, get assistance from an adult partner to lift/lean and hold the Chair while you are working.

Your Chair is ready for use.

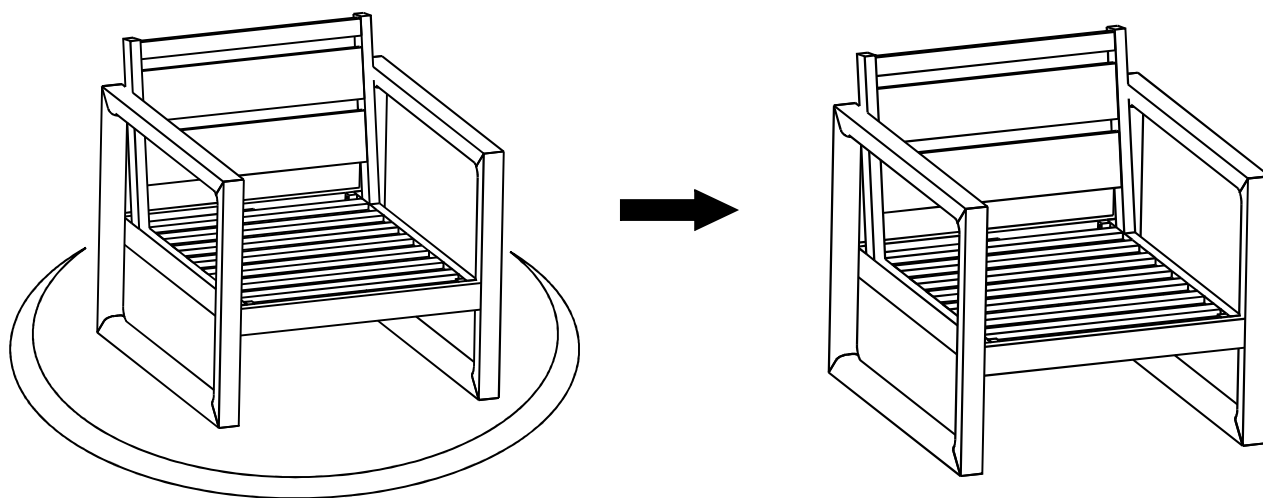
This Chair can only be used on a flat, level surface.

## Step 4








With the help of your adult partner, stand the assembly from step 3 up, then:  
4.1) Attach Wooden Dowels in Backrest Panel (C) into the mortise of the Seat Panel (D) as shown above.  
4.2) Secure the Backrest Panel (C) to the Right Leg Panel (A) and the Left Leg Panel (B) using 2 Bolts (①), and the Allen Wrench (④) as shown above.  
**Do not fully tighten Bolts.**


## Step 5



With assistance from your adult partner, stand the Chair up  
Exert pressure floorwards, onto the Chair with both your hands.  
This pressure will help the Legs and Chair reach full alignment status.  
Check for wobbles on a LEVEL surface.  
If no wobbles are found proceed use Allen Wrench (⑥) to tighten Bolts in a sequential manner, until evenly secured.  
**When tightening Bolts tighten sequentially.**  
**Do not tighten any Bolt fully and then move on towards the next one.**  
**If there are still wobbles after tightening, loosen the Bolts and execute the same above process.**

## Care & Maintenance

-  ● Do not put hot items directly on furniture surface
-  ● Do not clean furniture with harsh cleansers or polish.
-  ● To obtain the longest lifespan of your outdoor products, minimizing exposure to direct sunlight is recommended.
-  ● Children should not climb or jump on the furniture.
-  ● Do not write on furniture without a padded barrier to protect the surface.
-  ● To obtain the longest lifespan of your outdoor products, avoid extended and lengthy exposure to rain, snow, and direct sunshine. Whenever possible cover the product and /or place under patio or awnings.
-  ● Not for commercial use. For residential use only .
-  ● Stains may be removed with mild soap solution and damp cloth.

-  ● Dust and pick-up spills using a clean, non-colored, lint-free cloth .