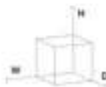
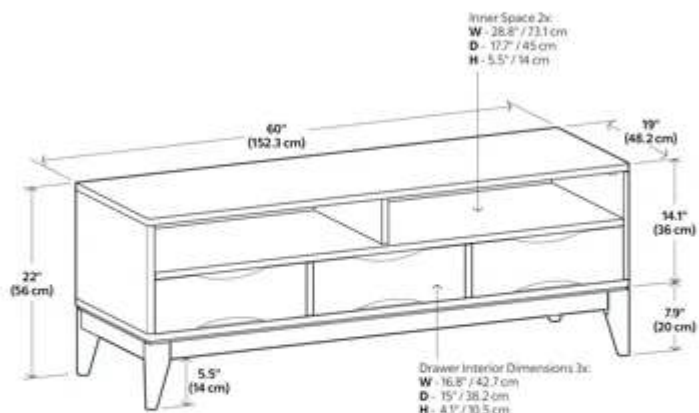


## Harper TV Media Stand



**Net weight:** 81.6 lbs / 37 Kgs