

# ASSEMBLY INSTRUCTIONS



*Fine Furniture for every stage of life*

**Dining Table**

# ASSEMBLY INSTRUCTIONS

## ASSEMBLY TIPS:

1. Remove hardware from box and sort by size.
2. Please check to see that all hardware and parts are present prior to start of assembly.
3. Please follow attached instructions in the same sequence as numbered to assure fast & easy assembly.



### WARNING!

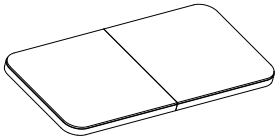
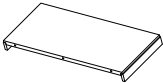


1. Don't attempt to repair or modify parts that are broken or defective. Please contact the store immediately.
2. This product is for home use only and not intended for commercial establishments.



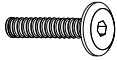
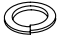



ASSEMBLY TIME

25 MINUTES

## PART IDENTIFICATION

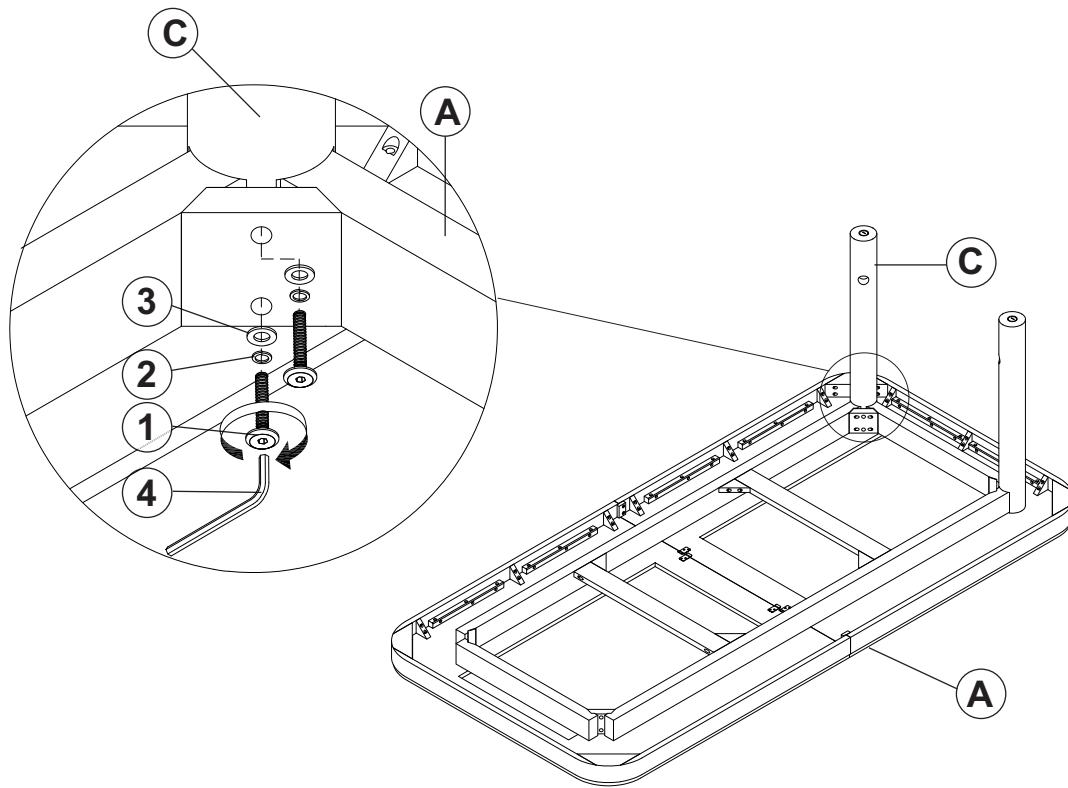
|   |             |   |      |
|---|-------------|---|------|
| A | TOP         |   | 1PC  |
| B | LEAF        |   | 1PC  |
| C | LEG         |  | 4PCS |
| D | LEG SUPPORT |  | 1PC  |

## HARDWARE IDENTIFICATION

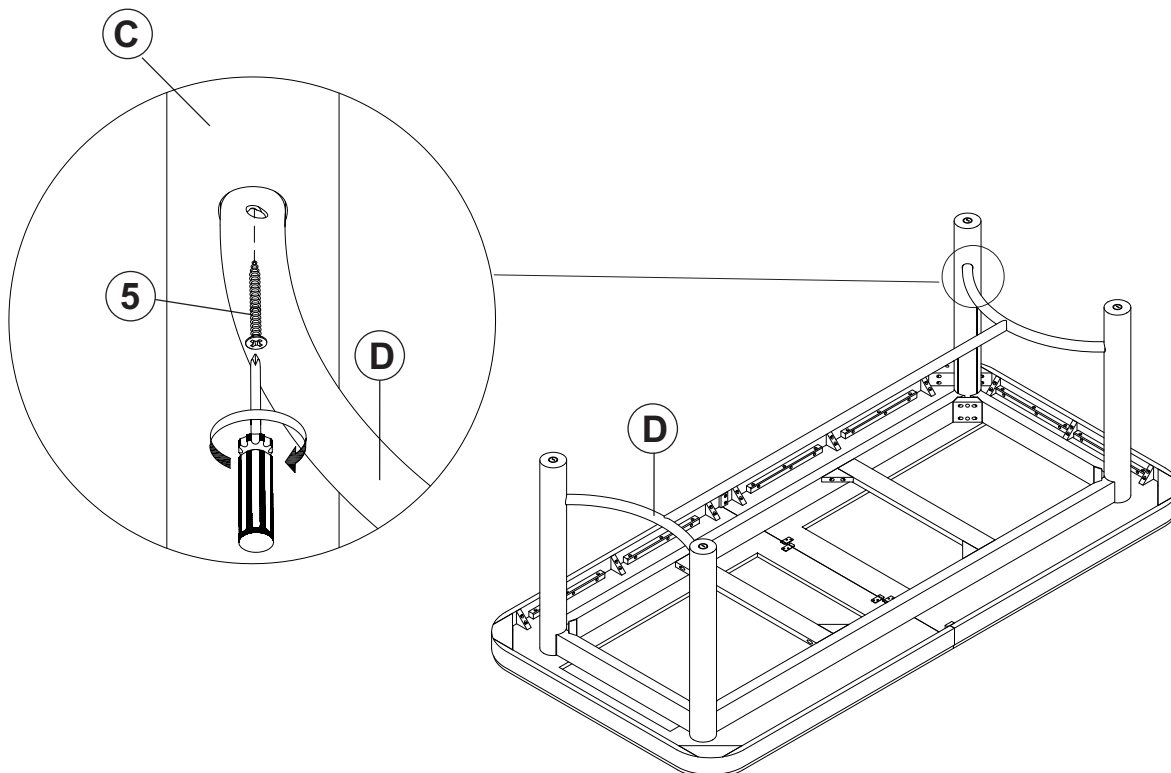
|   |  |   |      |
|---|--|---|------|
| 1 | <b>BOLT</b><br>(5/16" x 50mm - BLK)        |  | 8PCS |
| 2 | <b>LOCK WASHER</b><br>(1.6 x 14mm - BLK)   |  | 8PCS |
| 3 | <b>FLAT WASHER</b><br>(1 x 18mm - BLK)     |  | 8PCS |
| 4 | <b>ALLEN WRENCH</b><br>(M5 x 70mm - BLK)   |  | 1PC  |
| 5 | <b>FLAT HEAD SCREW</b><br>(8 x 63mm - BLK) |  | 4PCS |

# ASSEMBLY INSTRUCTIONS

## STEP 1



## STEP 2

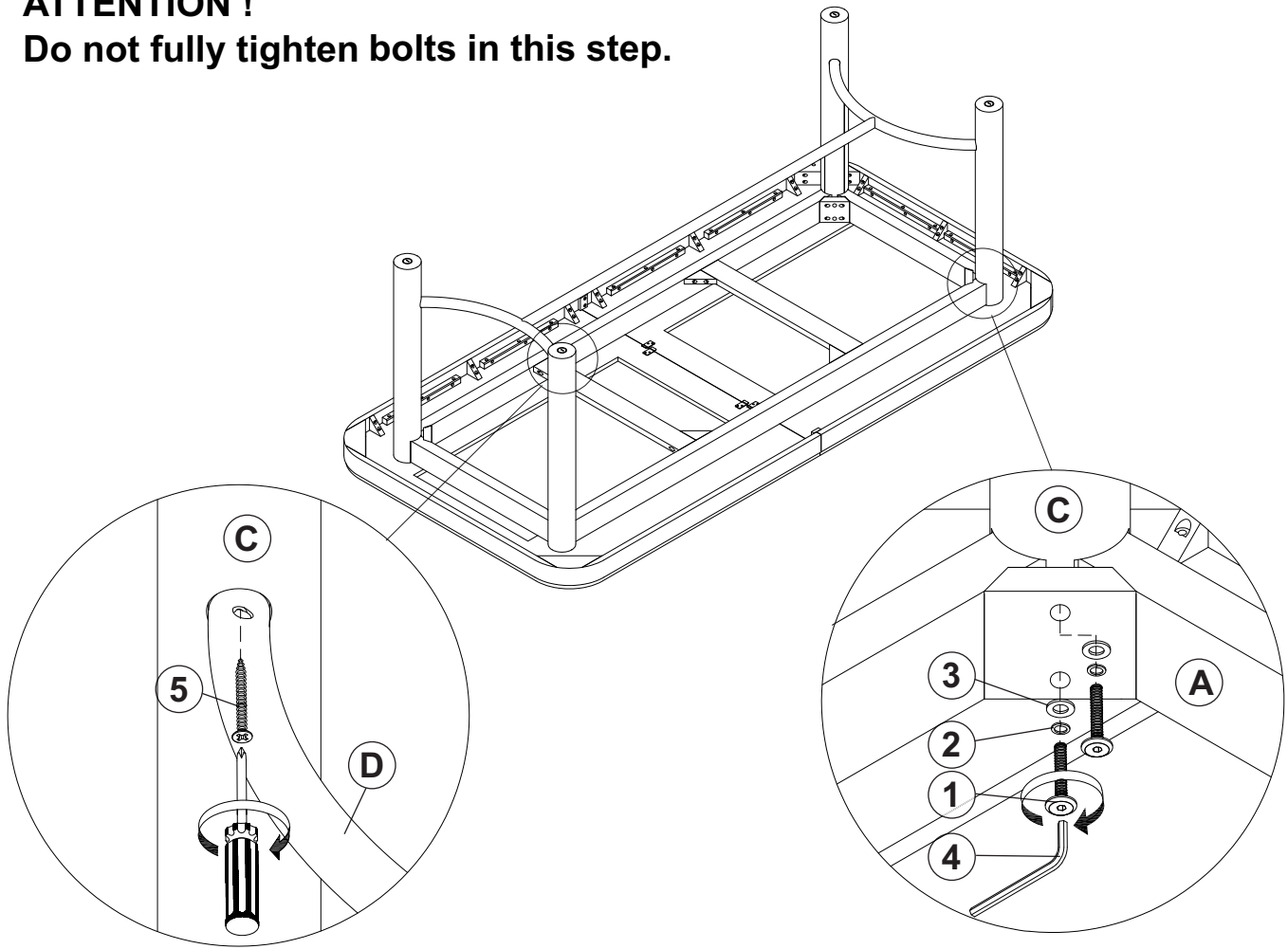


# ASSEMBLY INSTRUCTIONS

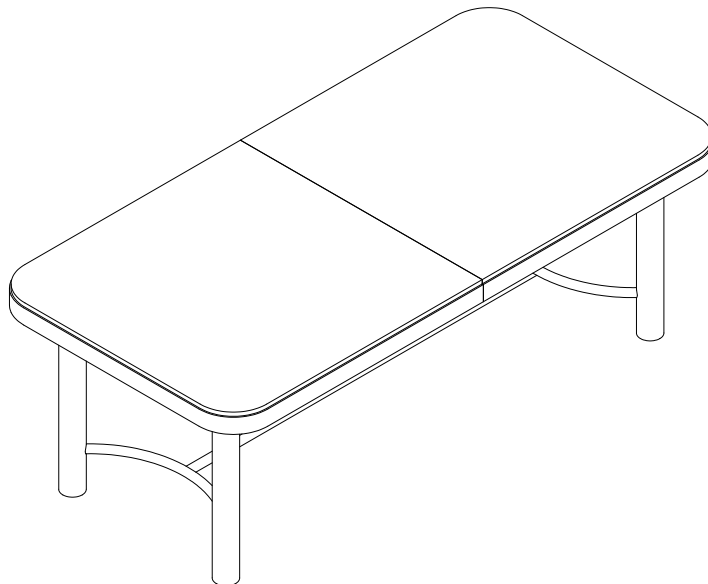
## STEP 3

**ATTENTION !**

**Do not fully tighten bolts in this step.**

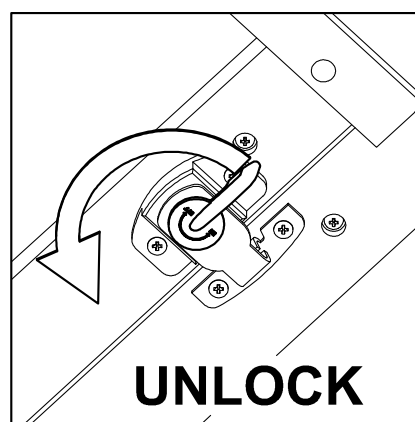
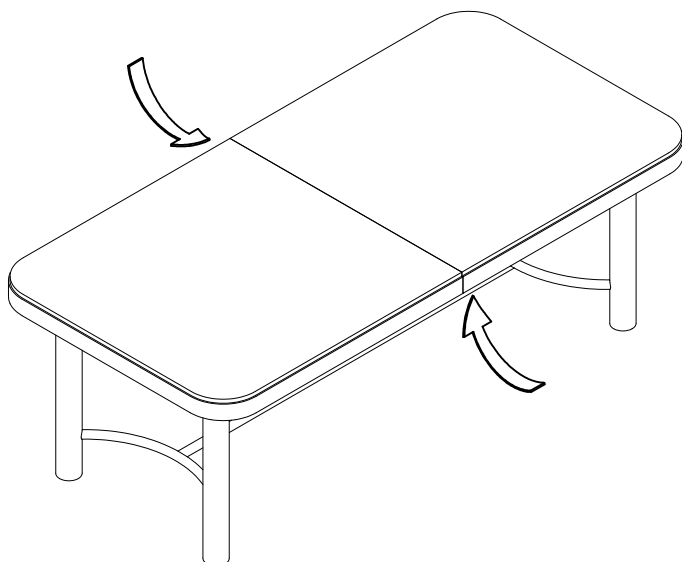


## STEP 4

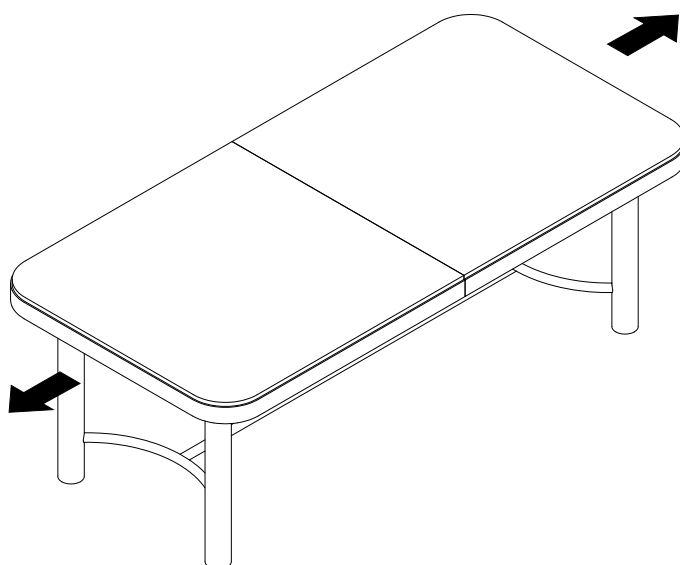


# ASSEMBLY INSTRUCTIONS

## STEP 5

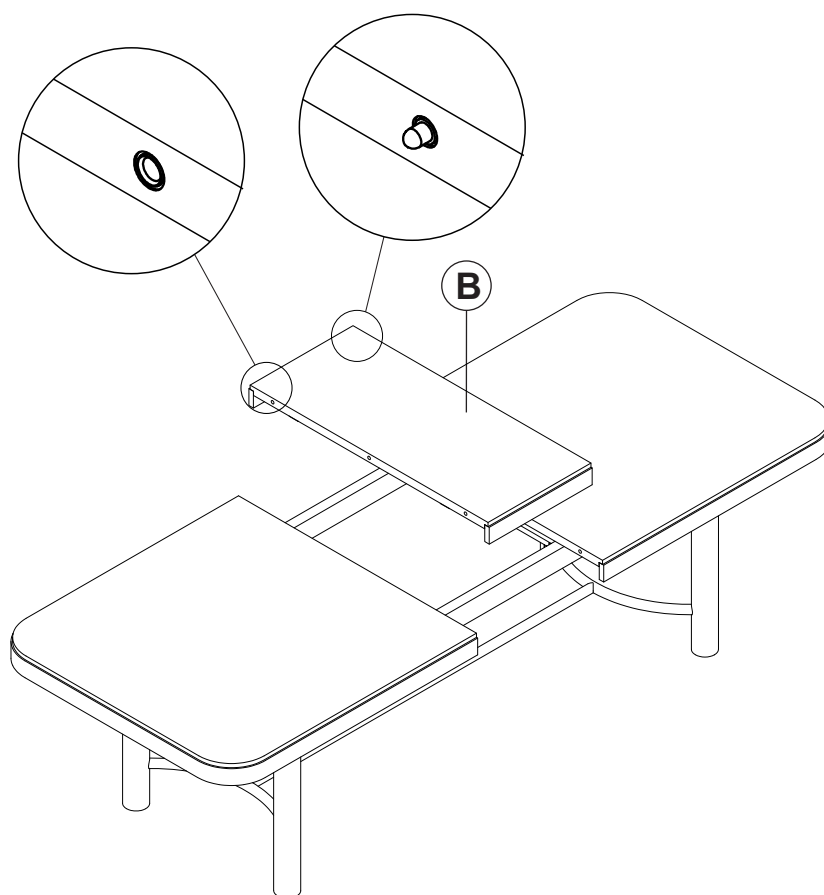


## STEP 6

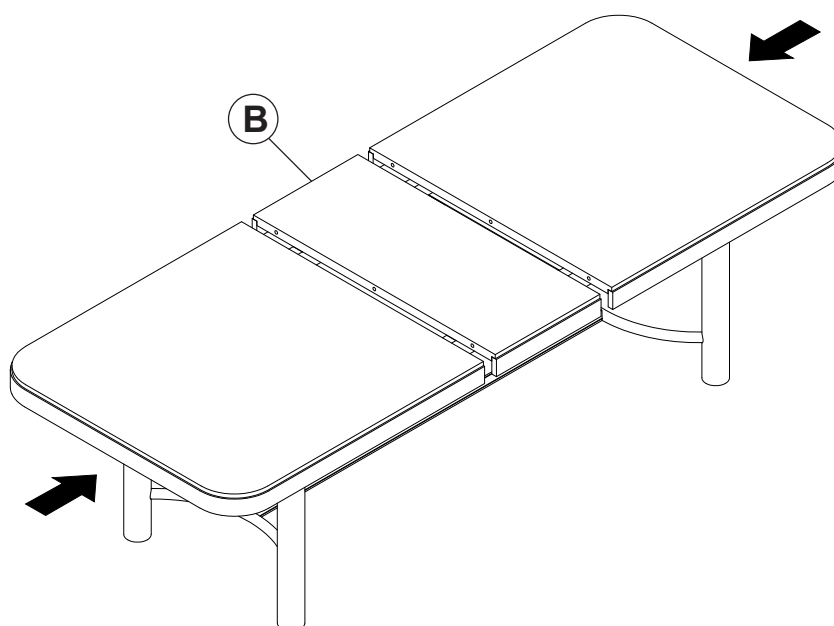


# ASSEMBLY INSTRUCTIONS

## STEP 7

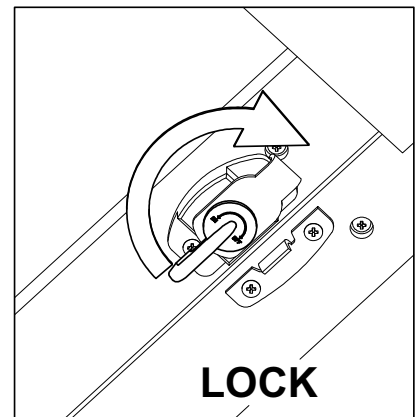
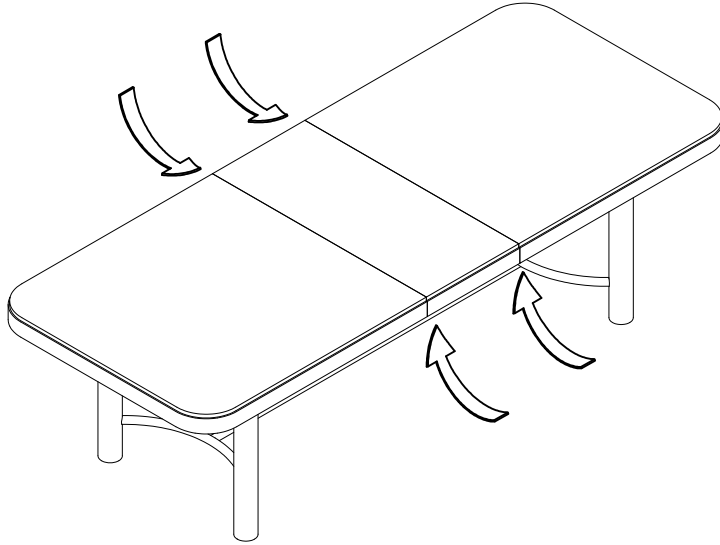


## STEP 8

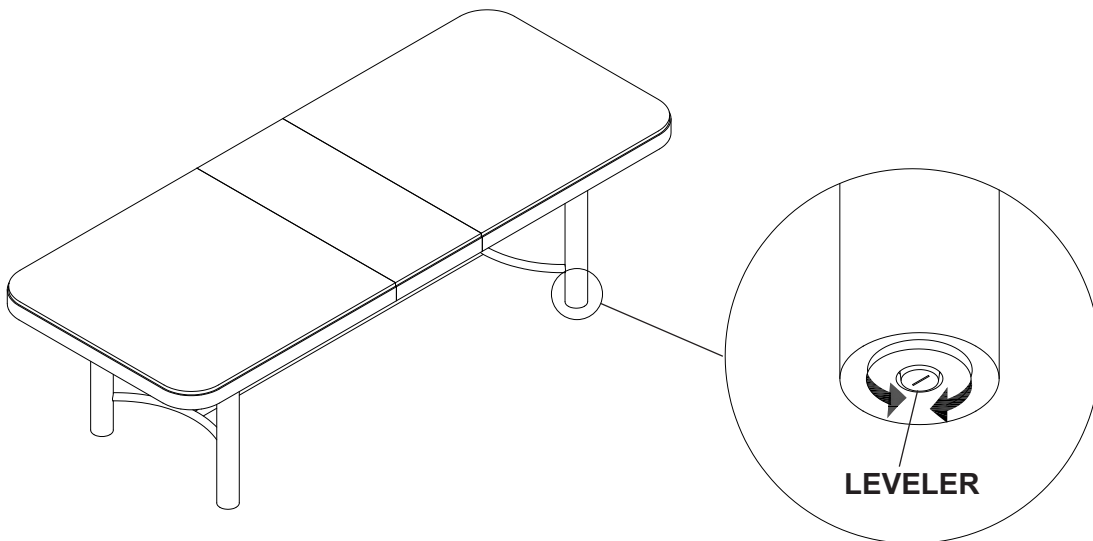


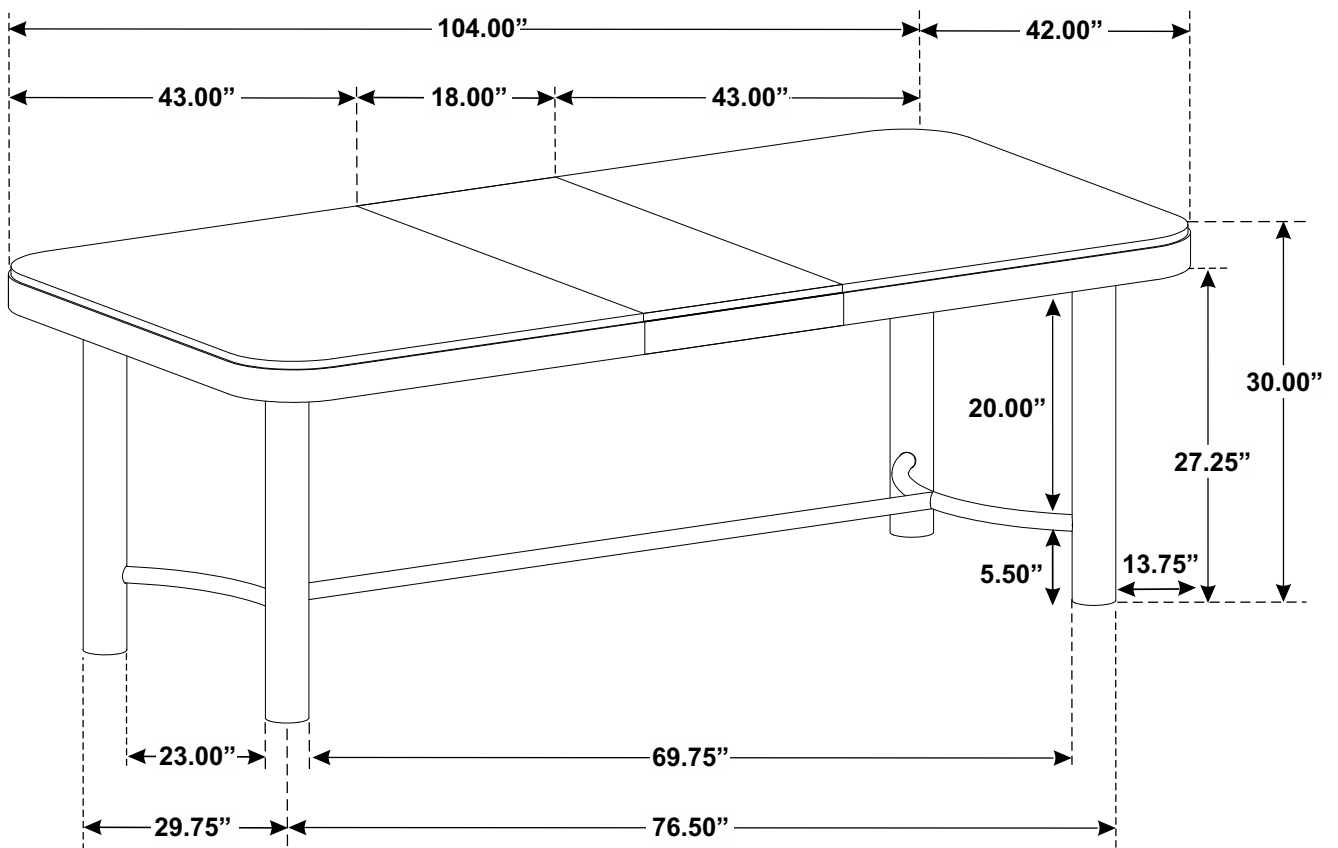
# ASSEMBLY INSTRUCTIONS

## STEP 9



## STEP 10 COMPLETE





**Note: Dimension tolerance  $\pm 5\%$**

# ASSEMBLY INSTRUCTIONS



*Fine Furniture for every stage of life*

**Side Chair**

# ASSEMBLY INSTRUCTIONS

## ASSEMBLY TIPS:

1. Remove hardware from box and sort by size.
2. Please check to see that all hardware and parts are present prior to start of assembly.
3. Please follow attached instructions in the same sequence as numbered to assure fast & easy assembly.



### WARNING!

1. Don't attempt to repair or modify parts that are broken or defective. Please contact the store immediately.
2. This product is for home use only and not intended for commercial establishments.



ASSEMBLY TIME

20 MINUTES

## PART IDENTIFICATION

|   |                         |  |      |
|---|-------------------------|--|------|
| A | BACK FRAME              |  | 1PC  |
| B | SEAT CUSHION WITH FRAME |  | 1PC  |
| C | LEFT FRONT LEG          |  | 1PC  |
| D | RIGHT FRONT LEG         |  | 1PC  |
| E | SIDE STRETCHER          |  | 2PCS |

## HARDWARE IDENTIFICATION

|   |                                     |  |       |
|---|-------------------------------------|--|-------|
| 1 | WOOD DOWEL<br>(10 x 35mm - BRW)     |  | 1PC   |
| 2 | SHORT BOLT<br>(5/16" x 35mm - BLK)  |  | 2PCS  |
| 3 | MEDIUM BOLT<br>(5/16" x 50mm - BLK) |  | 4PCS  |
| 4 | LONG BOLT<br>(5/16" x 75mm - BLK)   |  | 4PCS  |
| 5 | LOCK WASHER<br>(1.6 x 14mm - BLK)   |  | 10PCS |
| 6 | FLAT WASHER<br>(1 x 18mm - BLK)     |  | 10PCS |
| 7 | ALLEN WRENCH<br>(M5 x 70mm - BLK)   |  | 1PC   |
| 8 | PAN HEAD SCREW<br>(6 x 44mm - BLK)  |  | 4PCS  |

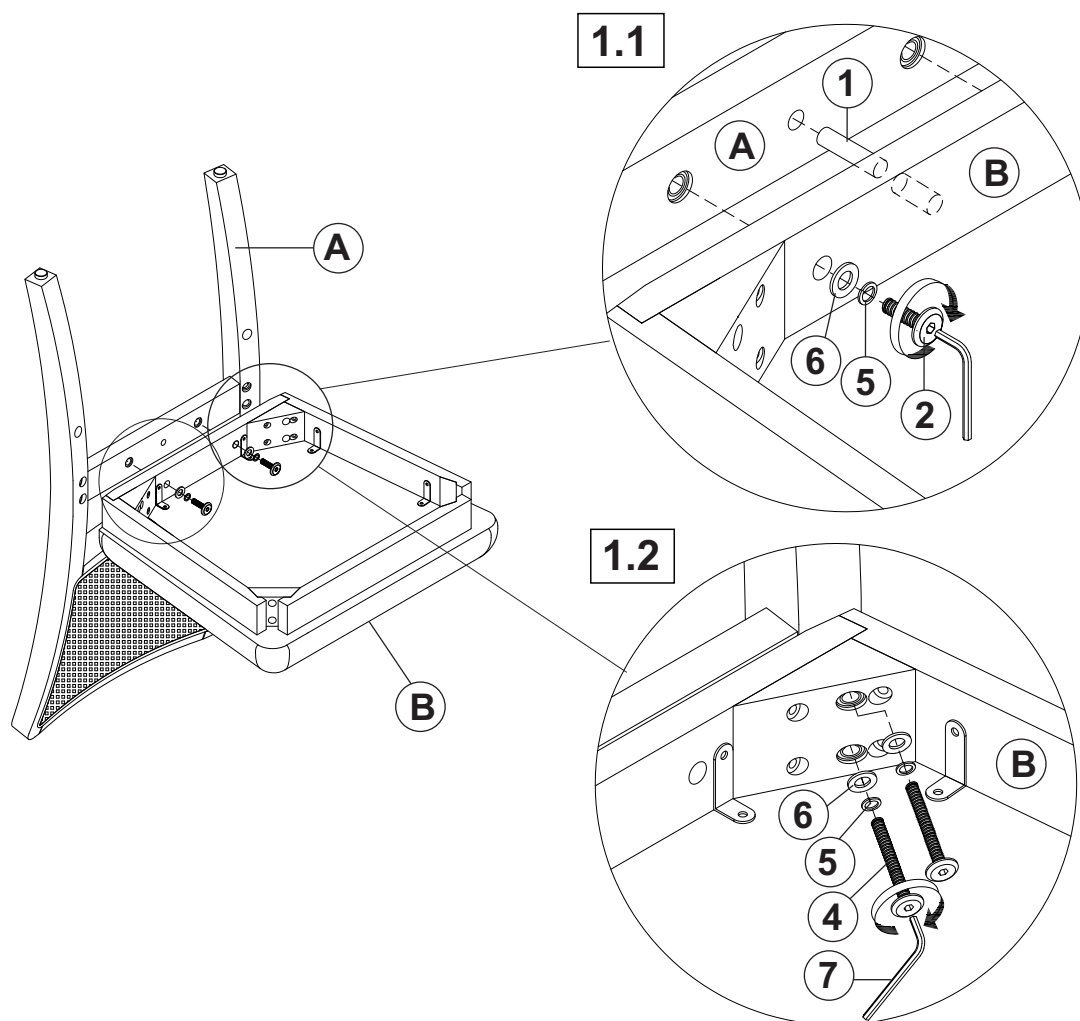
### NOTE:

Quantities shown are for one chair.

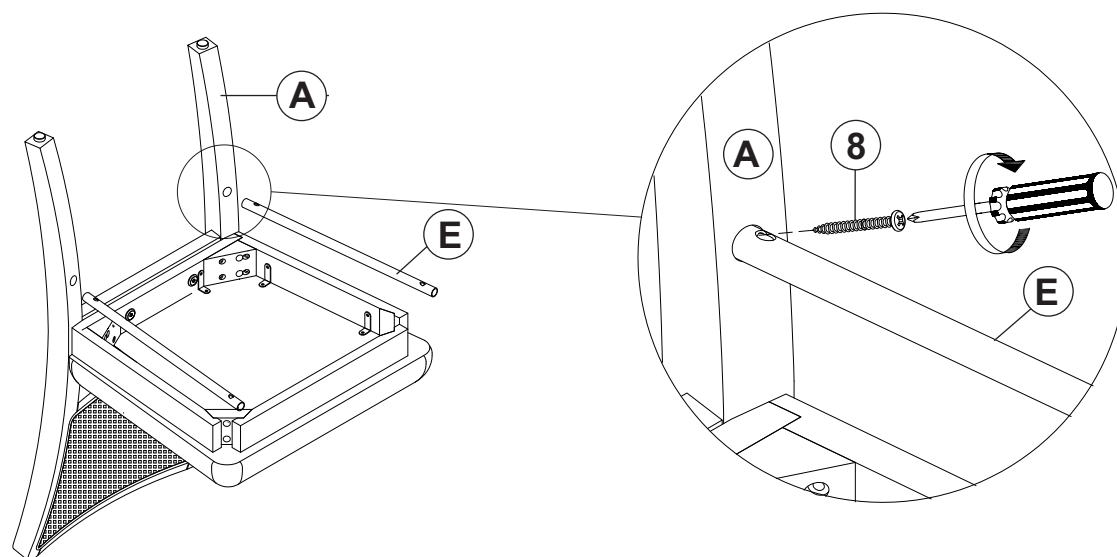
Phillips head screw driver is required in the assembly process; however, manufacturer does not provide this item.

# ASSEMBLY INSTRUCTIONS

## STEP 1

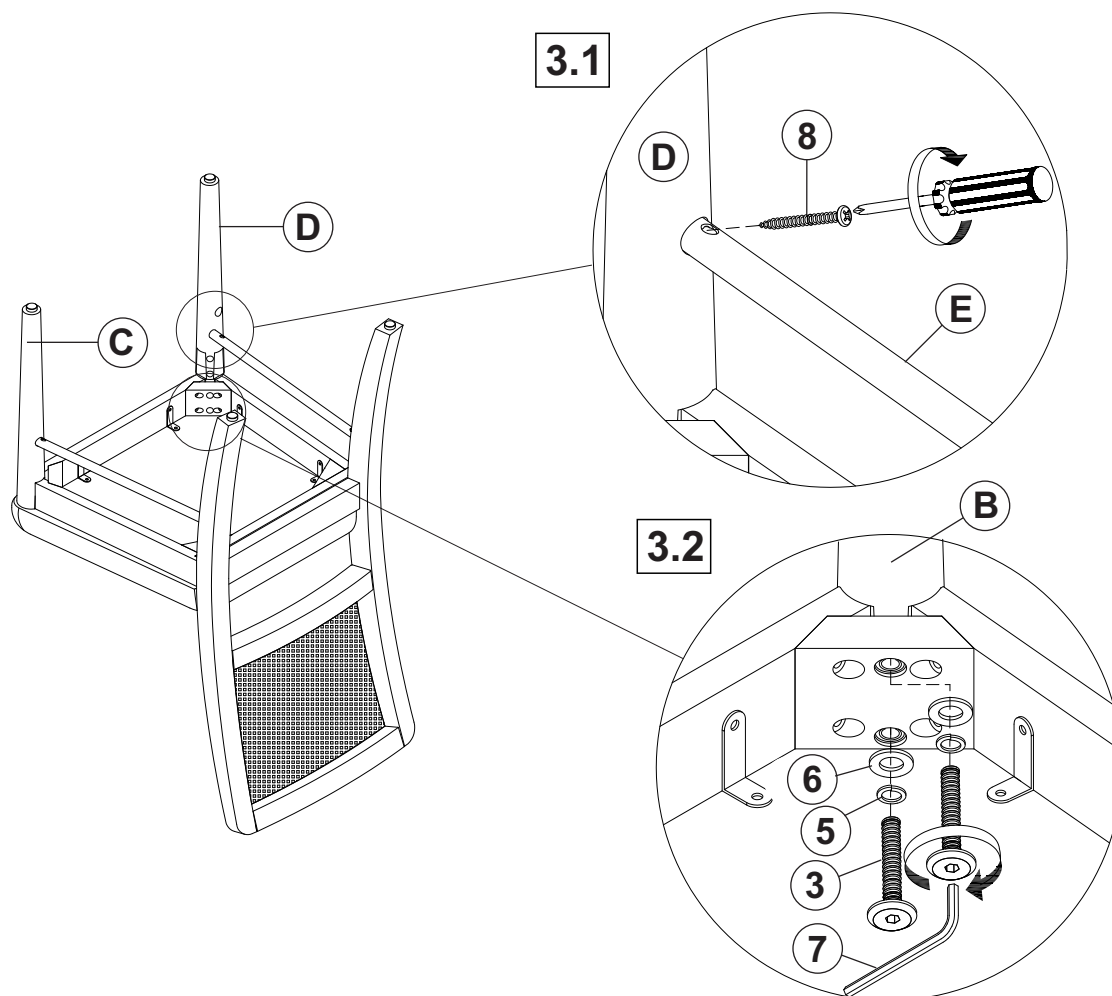


## STEP 2

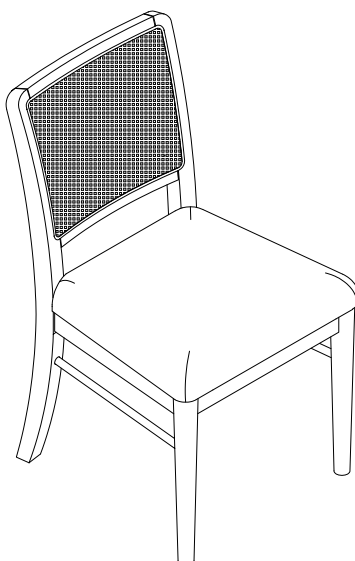


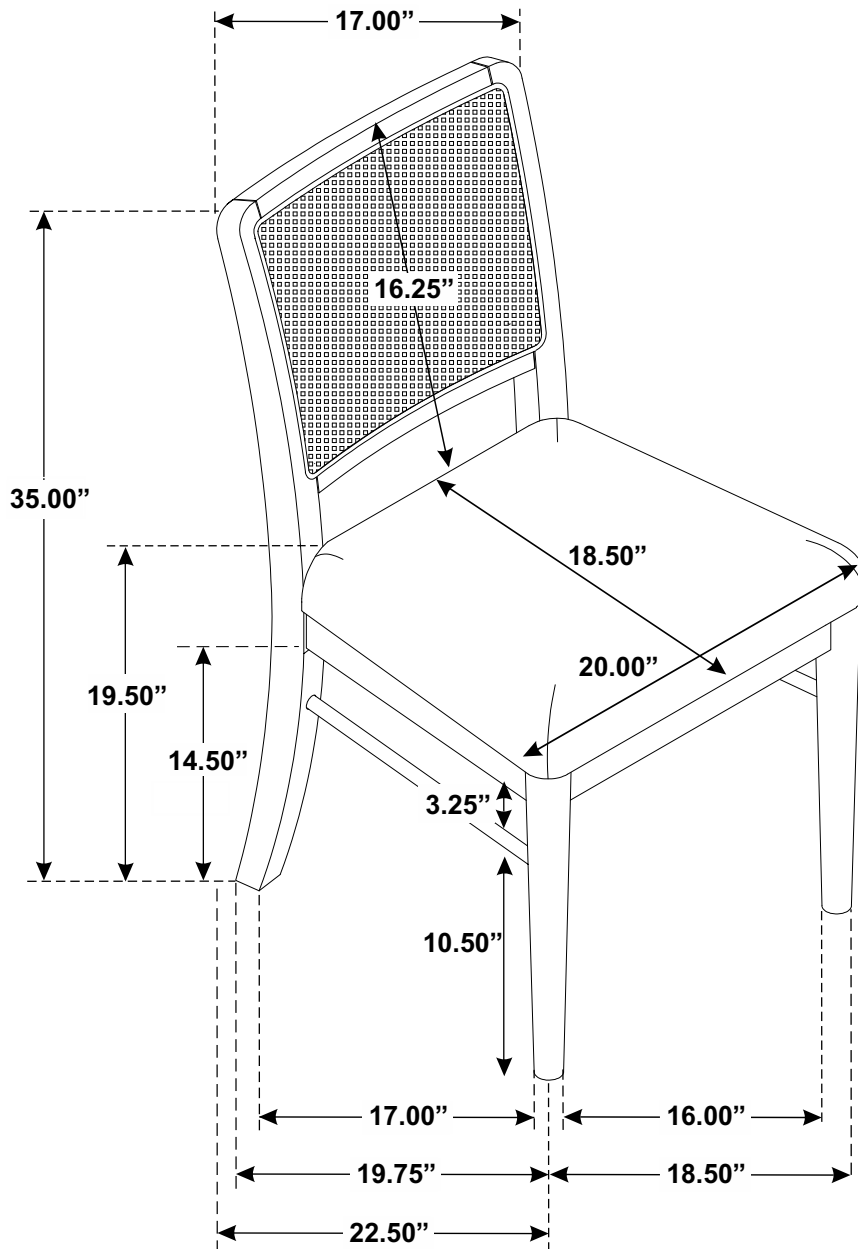
# ASSEMBLY INSTRUCTIONS

## STEP 3



## STEP 4 COMPLETE





**Note: Dimension tolerance  $\pm 5\%$**