

**IMPORTANT NOTICE:**  
Storing and opening the leaf requires 2 people.

# ASSEMBLY INSTRUCTIONS

Thank you for purchasing this quality product. Be sure to check all packaging materials carefully for small parts that may have come loose inside the carton during shipment.

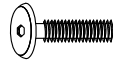




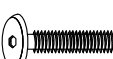

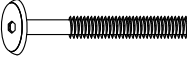
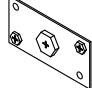
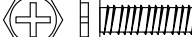
**Reminders**

1. Use only the hardware supplied.
2. Do not over-tighten bolts.
3. This item may require periodic tightening.

| COMPONENTS LIST |                            | QTY           |
|-----------------|----------------------------|---------------|
| A               | Table Top                  | 1pc           |
| B               | Table Leaf                 | 2pcs          |
| C               | Mounting Plate             | 2pcs          |
| D               | Hinge                      | 8pcs          |
| E               | Clamp Lock                 | 8pcs          |
| F               | Metal Glide<br>Left- Right | 2pcs<br>Left  |
|                 |                            | 2pcs<br>Right |
| G               | Adjustable Leveler         | 4pcs          |

| COMPONENTS LIST |             | QTY  |
|-----------------|-------------|------|
| H               | Table Leg   | 2pcs |
| I               | Trestle Bar | 1pc  |

**Hardware List :**

| NO | DESCRIPTION       | SIZE           | FIGURE  | QTY   |
|----|-------------------|----------------|---|-------|
| 1  | Short Bolt        | Ø1/4"x 32mm    |  | 4pcs  |
| 2  | Spring Washer     | Ø5/16"x 12mm   |  | 16pcs |
| 3  | Small Flat Washer | Ø1/4"x 12mm    |  | 4pcs  |
| 4  | Allen Key         | 58x 23x 4mm    |  | 1pc   |
| 5  | Wood Cap          | Ø13.5x 8mm     |  | 2pcs  |
| 6  | Short Bolt        | Ø5/16"x 45mm   |  | 4pcs  |
| 7  | Flat Washer       | Ø5/16"x 19mm   |  | 12pcs |
| 8  | Long Bolt         | Ø5/16"x 85mm   |  | 8pcs  |
| 9  | Metal Plate Small | 100x 50x 7.5mm |  | 2pcs  |
| 10 | Short Bolt        | Ø1/4"x 19mm    |  | 4pcs  |

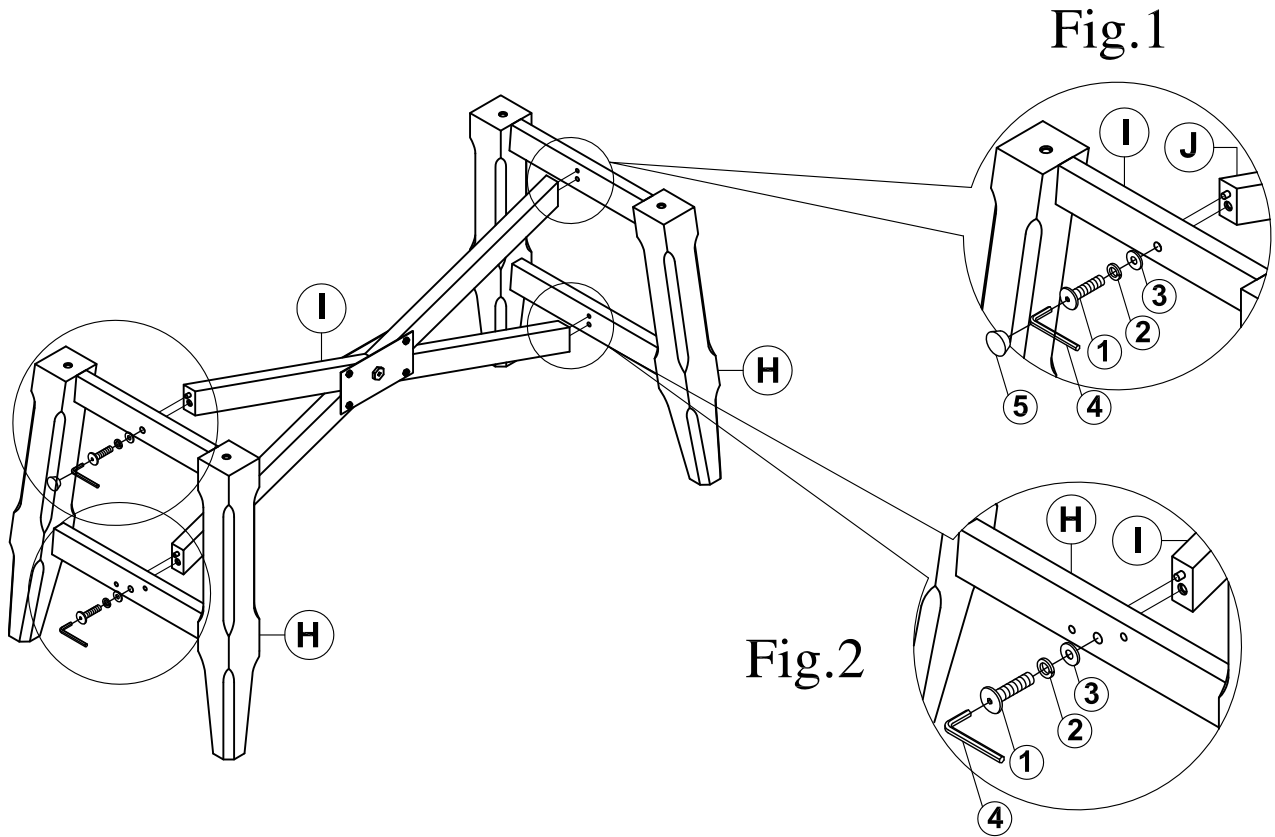
**IMPORTANT NOTE:**

- Please keep all hardware parts out of the reach of children.
- Two or more people are needed for assembly.

# ASSEMBLY INSTRUCTIONS

## STEP 1:

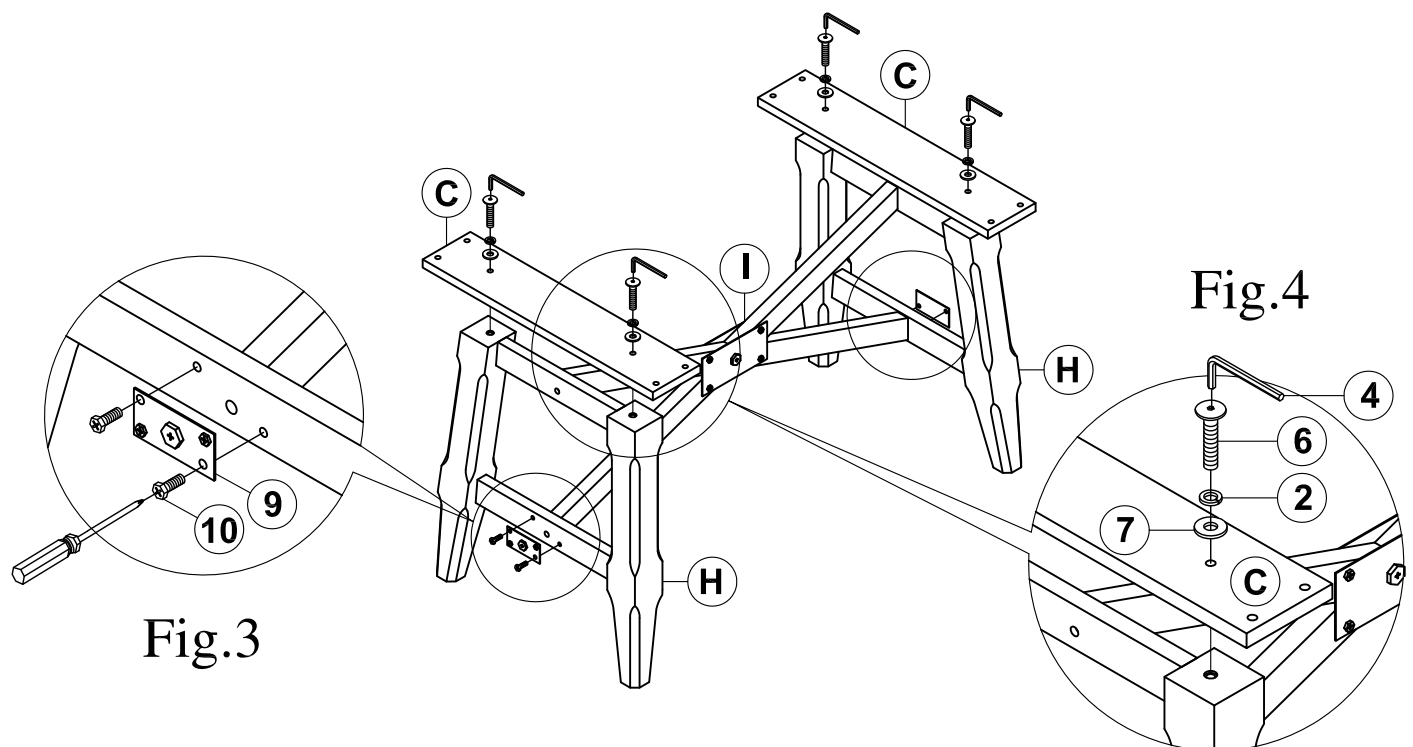
Attached Table Leg (H) to the Trestle Bar (I) using the provided hardware as shown on Fig.1 and Fig.2.



## STEP 2:

Attached Metal Plate Small (9) to the Table Leg (H) using the provided hardware as shown on Fig.3.

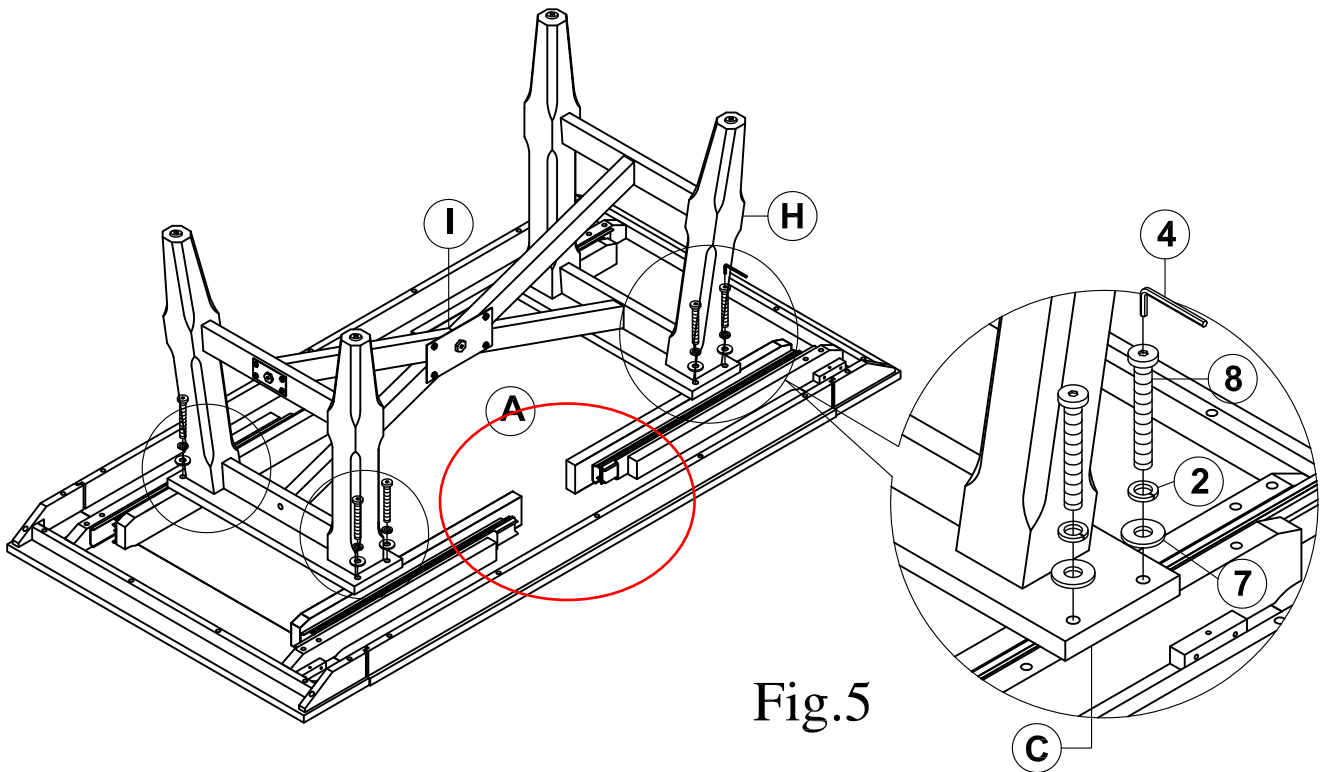
Attached Mounting Plate (C) to the Table Leg (H) using the provided hardware as shown on Fig.4.



# ASSEMBLY INSTRUCTIONS

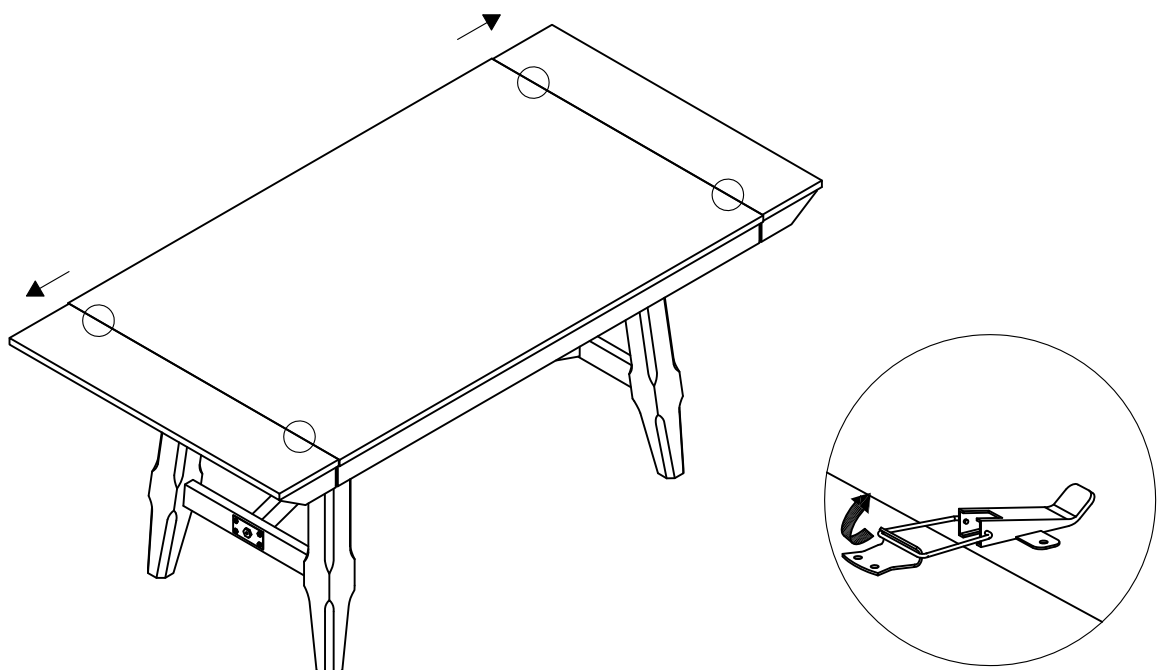
## STEP 3:

Attached Table Top (A) to the Mounting Plate (C) using the provided hardware as shown on Fig.5.



## STEP 4:

- Turn the table to upright position. Unlock the Clamp Locks (E) underneath the Table Top (A). pull from both ends of table top (A).



# ASSEMBLY INSTRUCTIONS

## STEP 5:

Place the Table Leaf (B) in position and push Table Top (A) from both ends to close. Lock the Clamp Lock (E) underneath the Table Top (A) to prevent injury from sliding table top (A).

