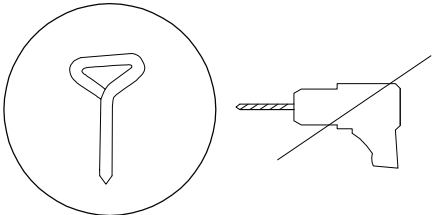

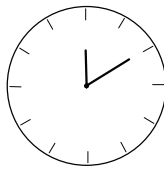
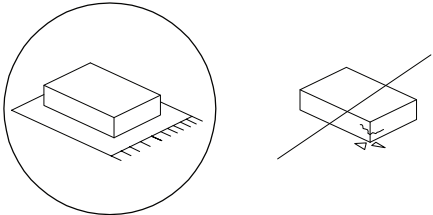
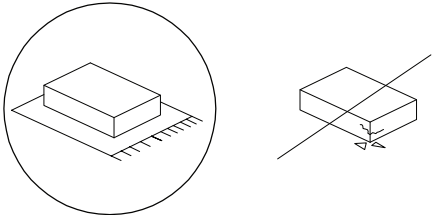
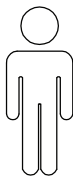
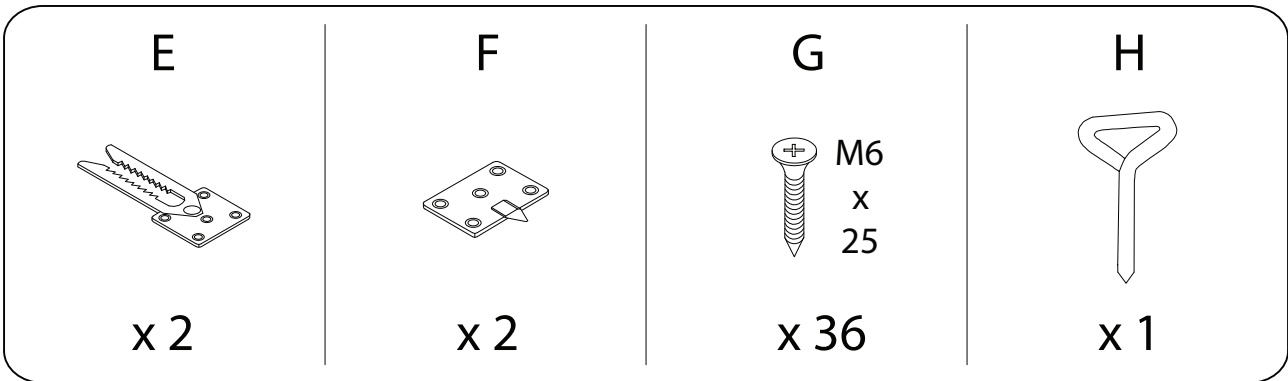
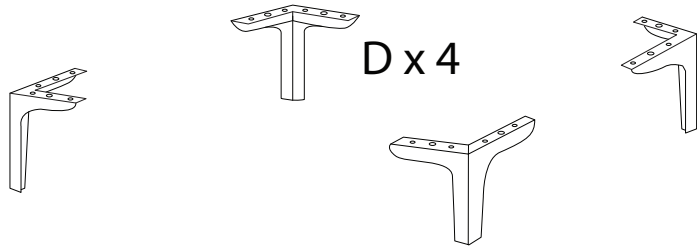
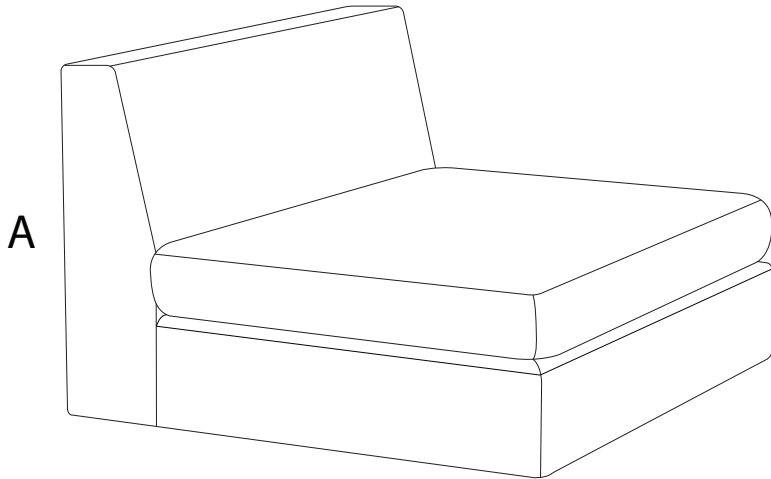
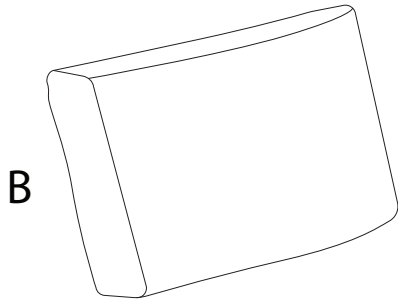
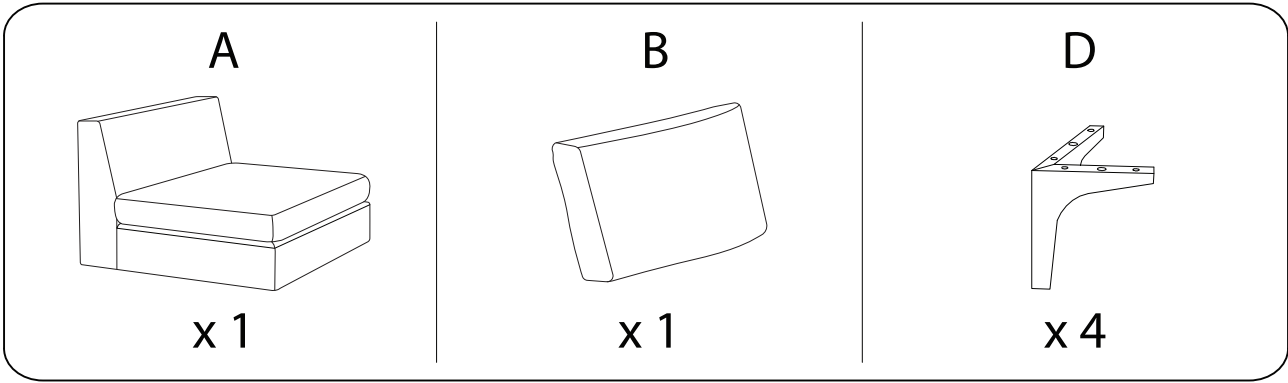
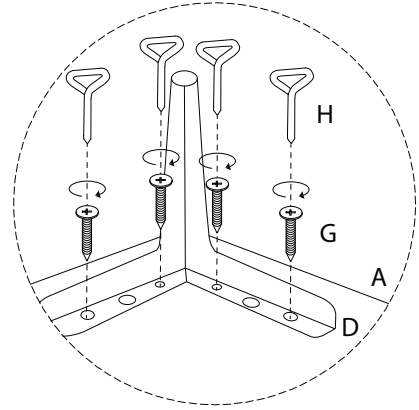
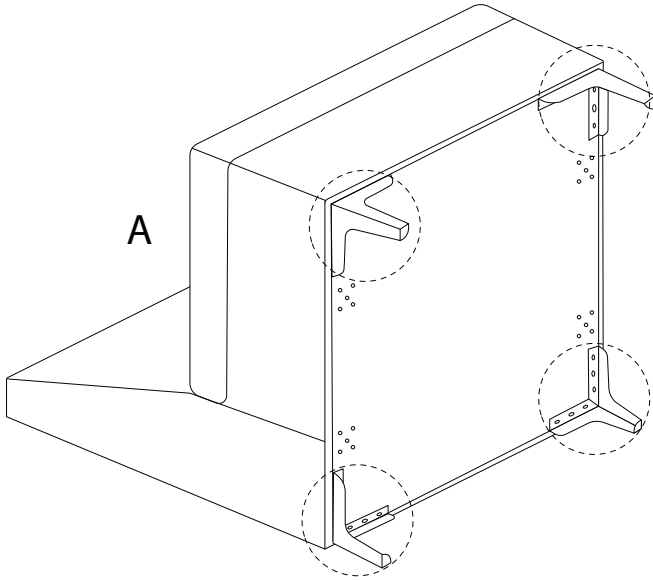
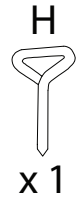
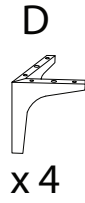
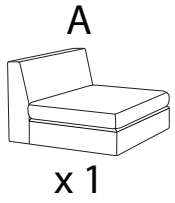


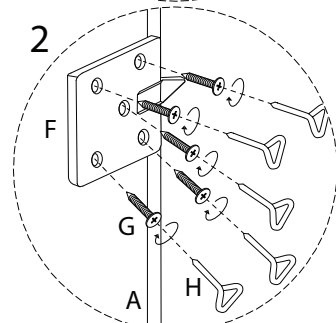
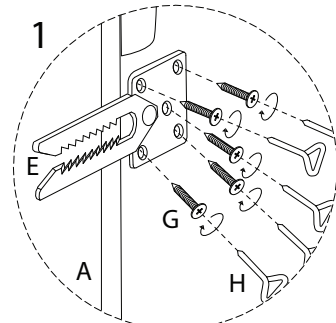
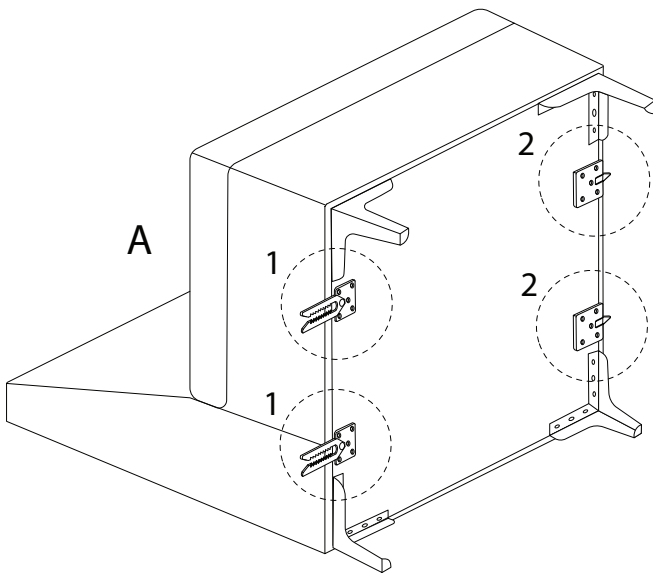
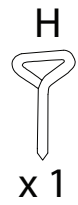
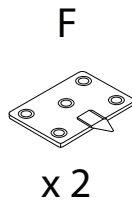
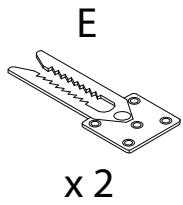
| | | |
|-------------------------------------------------------------------------------------|-------------------------------------------------------------------------------------|---------------------------------------------------------------------------------------|
|  |  |  |
| |  | 10' |
|  | |  |
| | | 1 |



1

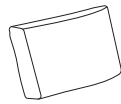


2

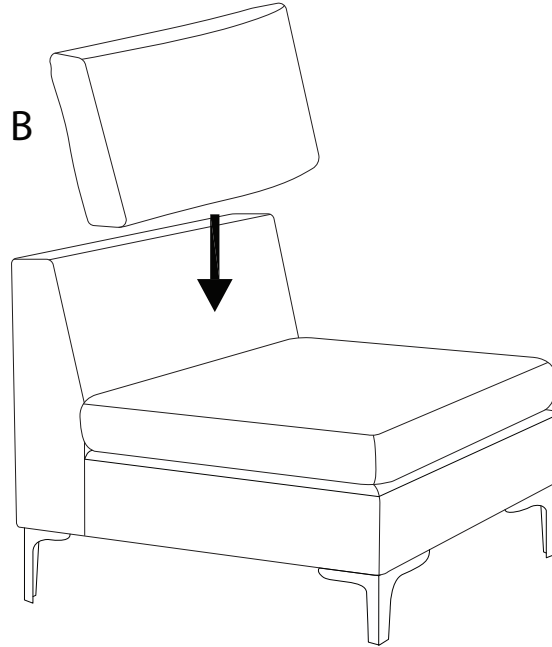


3

B



x 1



!

