



ASSEMBLY INSTRUCTIONS

Thank you for purchasing this quality product. be sure to check all packaging material carefully for small parts that may have come loose inside the carton during shipment.

Reminder

1. Use only the hardware supplied
2. Do not over-tighten the bolts.
3. This item may require periodic tightening

Components List :			
NO.	DESCRIPTION	Q' TY	
A	 Desk Top	1pc	
B	 Desk Leg	4pcs	

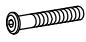



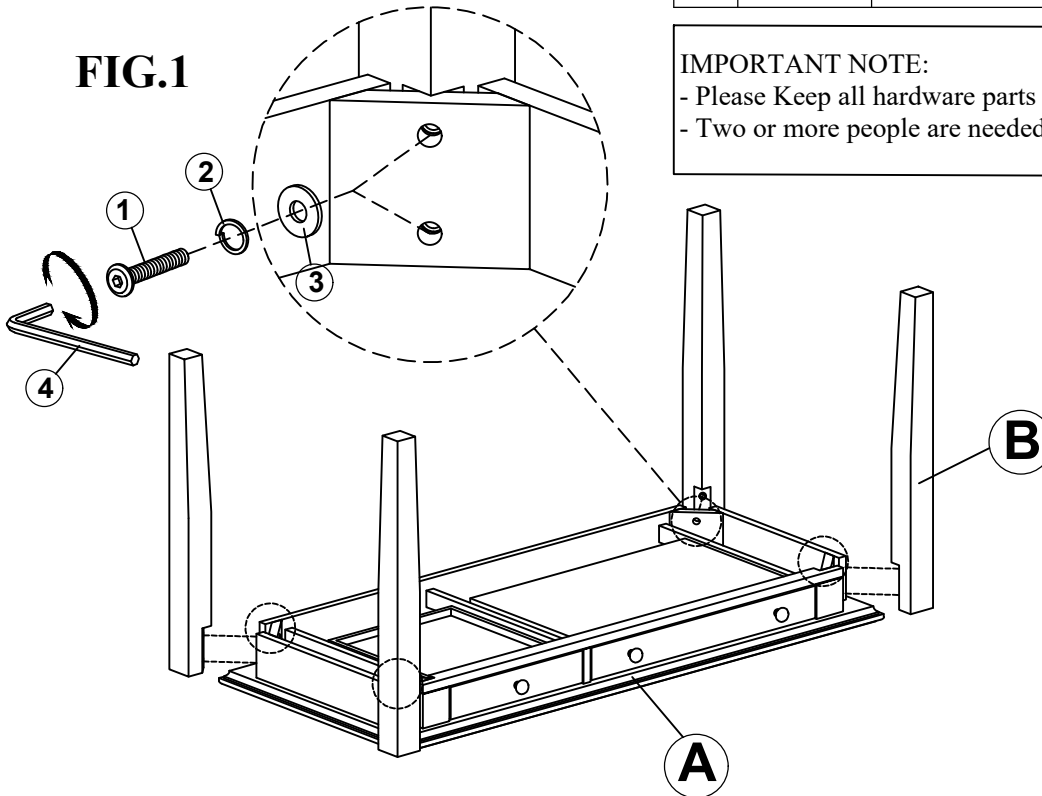
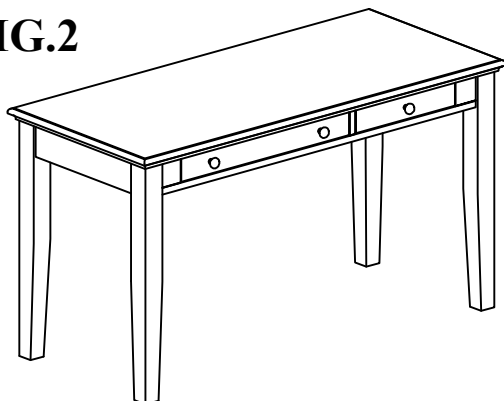
Hardware List				
NO.	SKETCH	SIZE	DESCRIPTION	Q' TY
1		5/16"*2-1/4"	Bolts	8pc
2		8mm	Spring Washer	8pcs
3		8*19*2mm	Flat Washer	8pcs
4		4*30*80mm	Key	1pc

FIG.1



IMPORTANT NOTE:
 - Please Keep all hardware parts out of the reach of children
 - Two or more people are needed for assembly

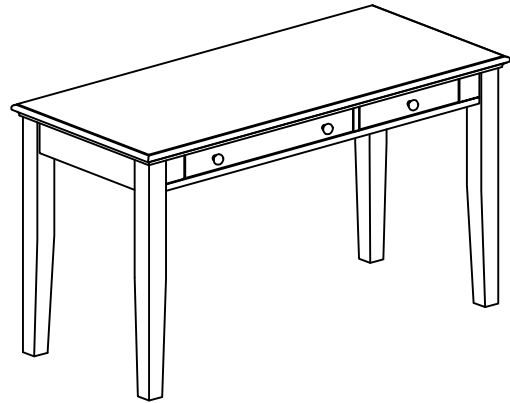
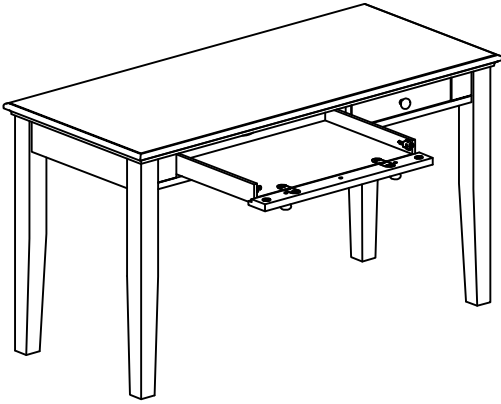
FIG.2



Step 1: Turn the Desk Top (A) upside down on a protective surface such as a carpet or other soft material. Attach Legs (B) to Desk Top (A) as shown on FIG.1

Step 2: Turn the Desk to a standing position. Check the Desk balance and tighten all the screws and bolts to complete the assembly as shown on FIG.2

ASSEMBLY INSTRUCTIONS



Assembly is now completed