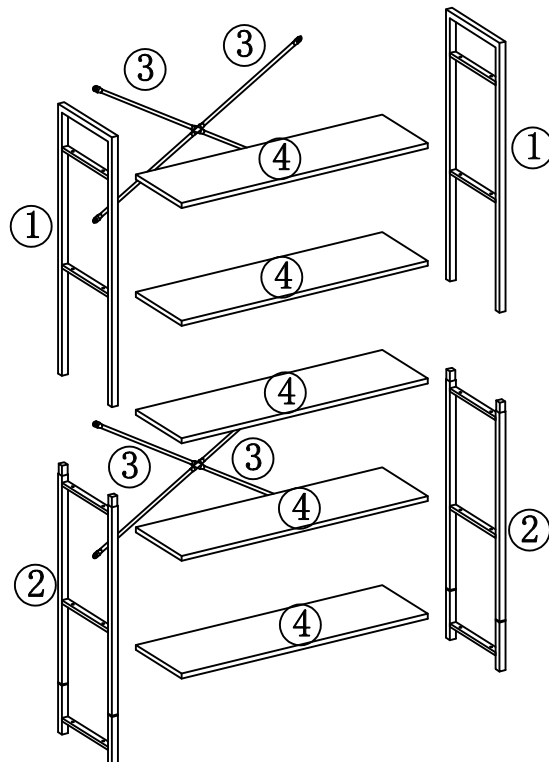
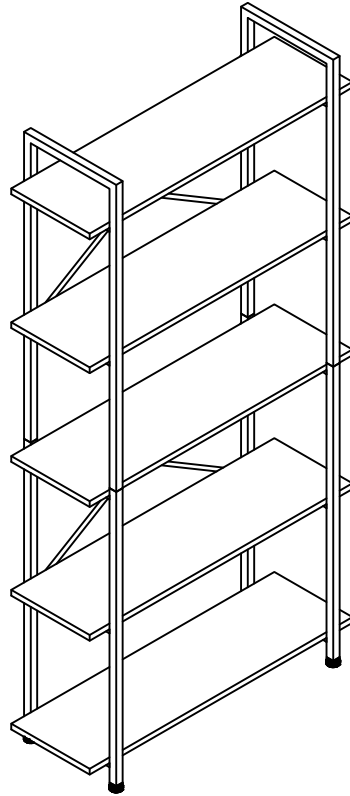
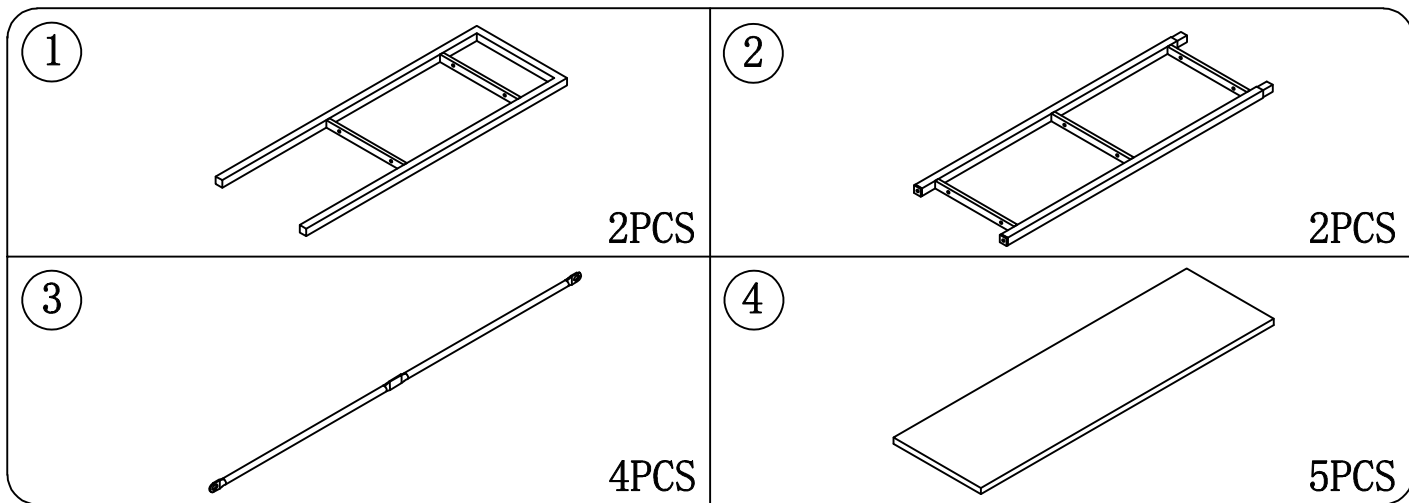







Installation Instructions



Notes: Don't tighten screws completely at first, just in case parts were assembled wrongly and need disassemble. Tighten screws at last when all parts are put together.

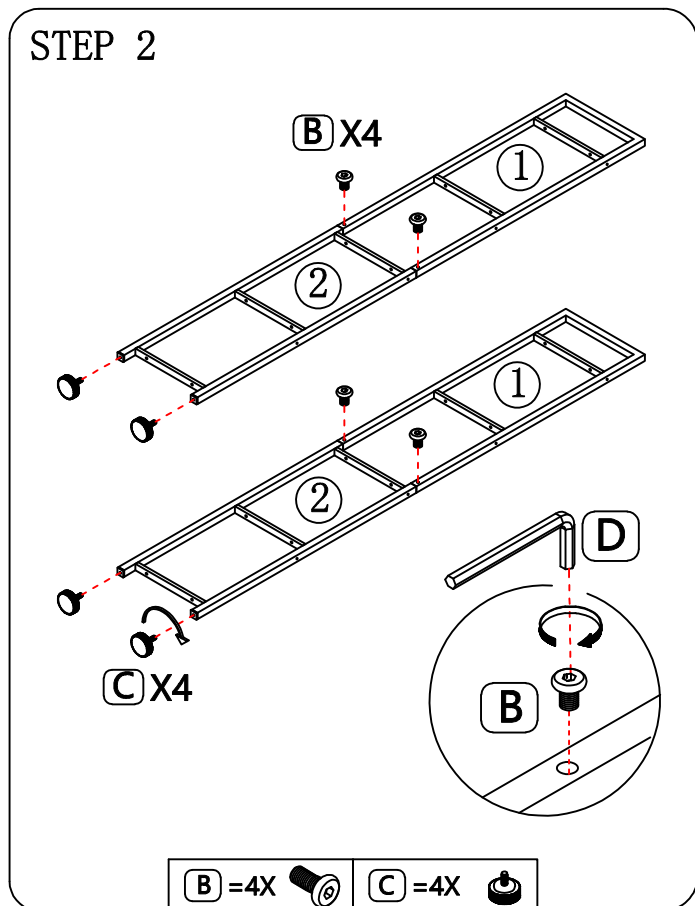
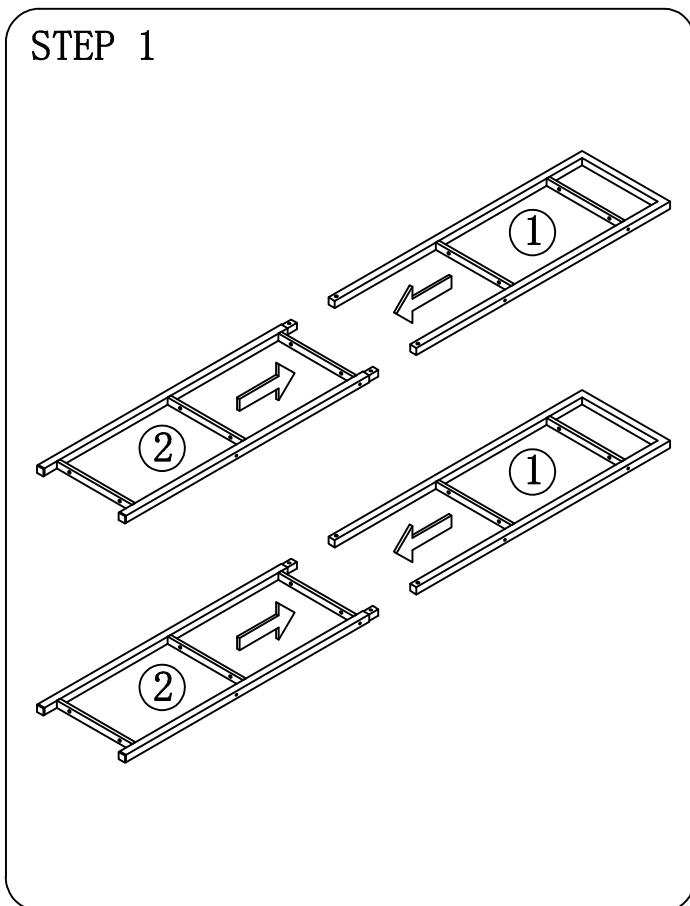




Installation Instructions



NO.	PICTURE	SIZE	QTY
A	 	M6X20	20+1
B	 	M6X12	12+1
C			4

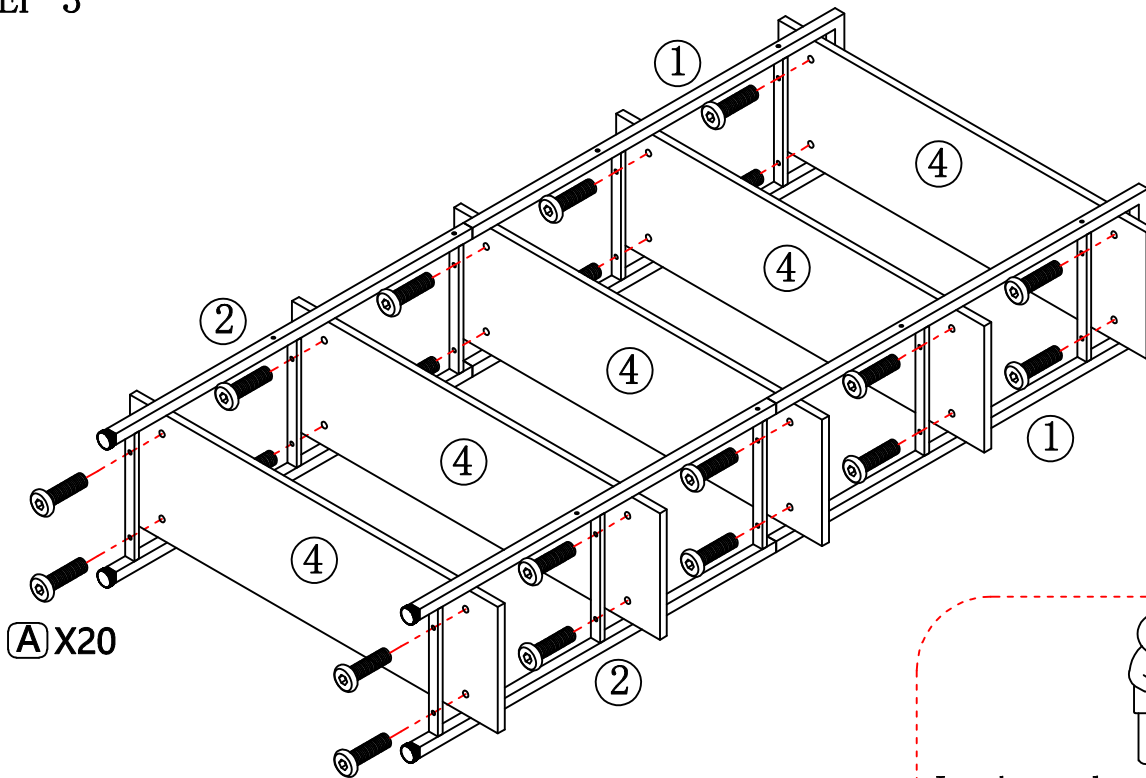
NO.	PICTURE	SIZE	QTY
D			1
E			2




B = 4X  **C** = 4X 

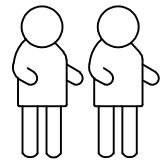
Installation Instructions

STEP 3



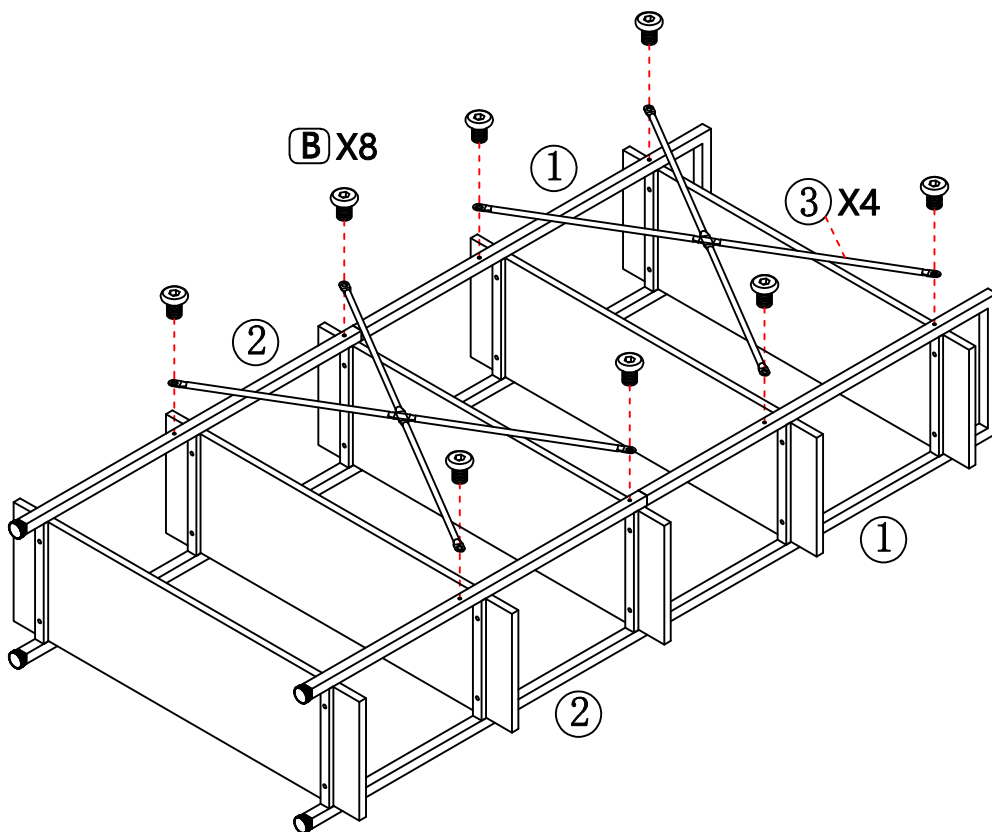
A X20

A = 20X 




It takes at least two people
to assemble the product

STEP 4



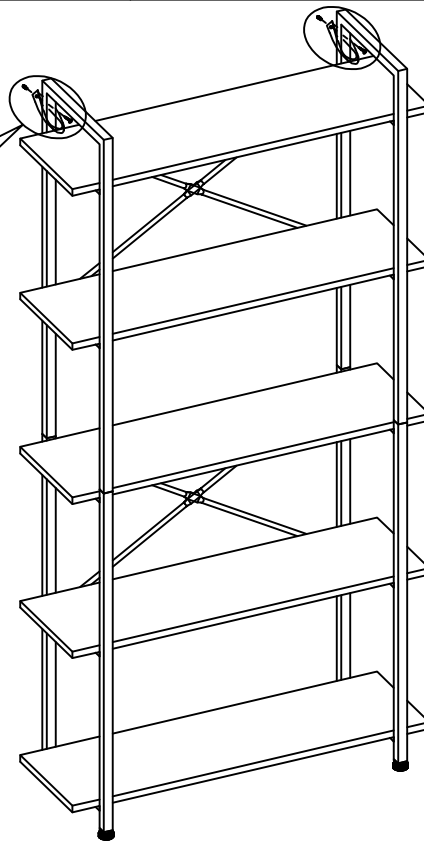
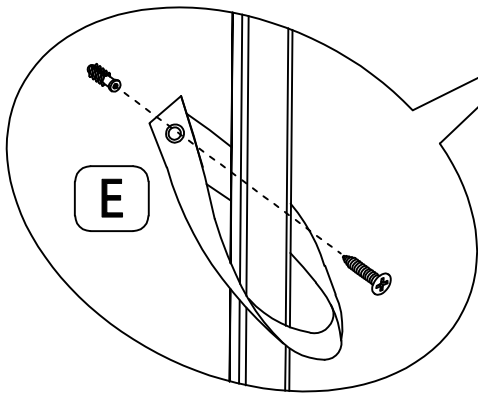
B X8

3 X4

B = 8X 

Installation Instructions

STEP 5



E = 2X   