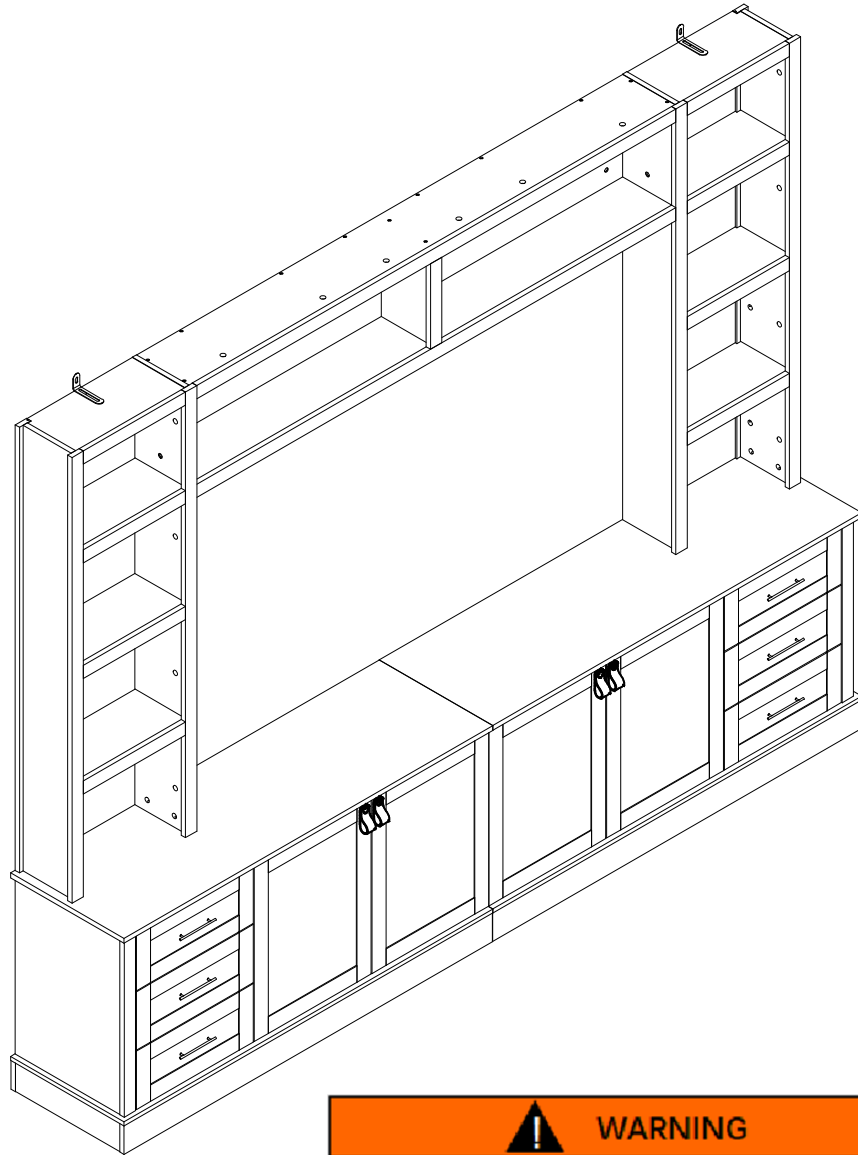



TV Stand

Assembly Instruction-please keep for future reference



Dimensions

Width-55.12inch
Depth-15.55inch
Height-72.84inch

WARNING	
	<p>This product is NOT a Clothing Storage Unit (CSU). DO NOT use it for clothing storage. Improper use may cause furniture tipover.</p>

Important-please read this instructions fully before starting assembly



Safety and Care Advice

Important – Please read these instructions fully before starting assembly

- Check you have all the components and tools listed on the following pages.
- Remove all fittings from the plastic bags and separate them into their groups.
- Keep children and animals away from the work area, small parts could choke if swallowed.
- Make sure you have enough space to layout the parts before starting.

- During assembly do not stand or put weight on the product, this could cause damage.
- Assemble the item as close to its final position (in the same room) as possible.
- Assemble on a soft level surface to avoid damaging the unit or your floor.
- Parts of the assembly will be easier with 2 people.



- To reduce the likelihood of damaging your product please ensure that your power drill is set on a low torque setting.

Care and maintenance

- Only clean using a damp cloth and mild detergent, do not use bleach or abrasive cleaners.
- From time to time check that there are no loose screws on this unit.
- This product should not be discarded with household waste. Take to your local authority waste disposal centre.

Handy Hints

- Assemble all parts and bolts loosely during assembly, only once the product is complete should you fully tighten the bolts
- Regularly check and ensure That all bolts and fittings are tightened properly.

WARNING

In order to help prevent overturning – please follow these instructions

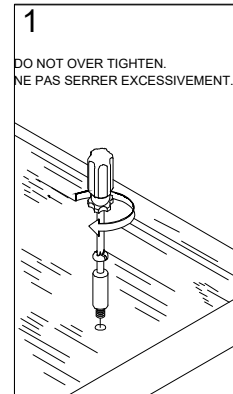
To help prevent product toppling over please follow the below steps:-

- Use the anti tip stap or wall fixing method provided (if applicable)
- Do not allow children to climb or hang on the furniture
- Do not open more than one drawer at a time
- Do not place heavy items in the top drawers
- Do not place heavy items on top of the furniture, unless the furniture has been designed for this purpose

Using Camlocks

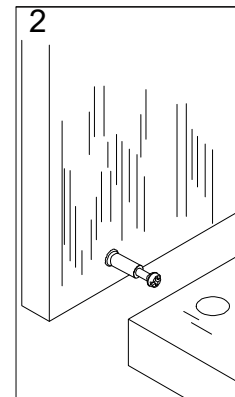
Step 1

Connect the male camlock as directed in the assembly instructions using a screwdriver.



Step 2

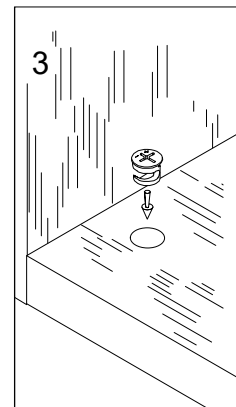
Push the male camlock into the entry hole.



Step 3

Insert the female camlock as shown in the instruction.

Note: ensure that the arrow on the top of the camlock points towards the entry hole for the male camlock.

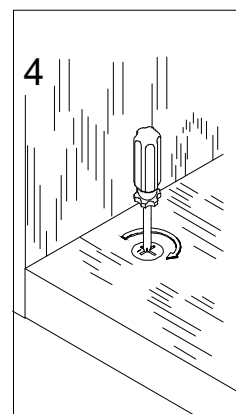


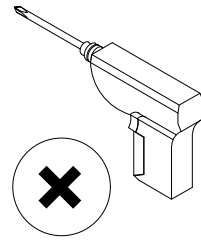
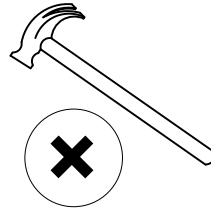
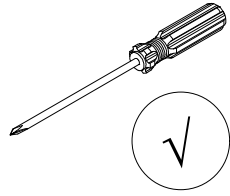
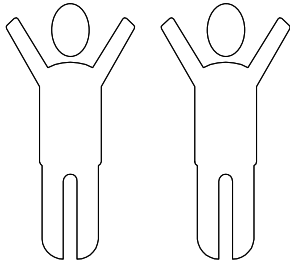
Step 4



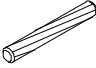

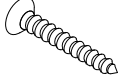

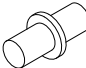
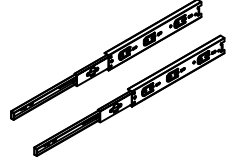
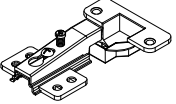
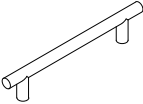




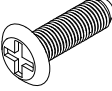
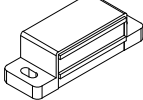
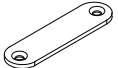

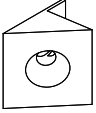

Turn the female camlock clockwise with a screwdriver.

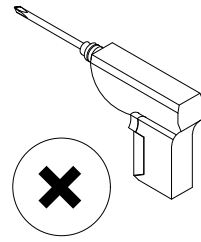
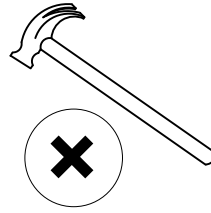
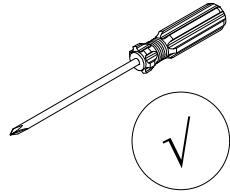
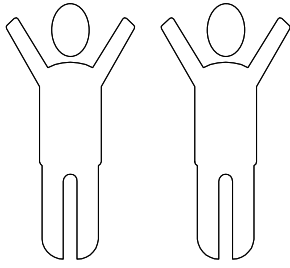
You should feel a click when the camlock is locked in place.

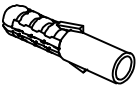
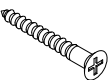


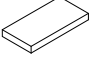
The joint is now secure.





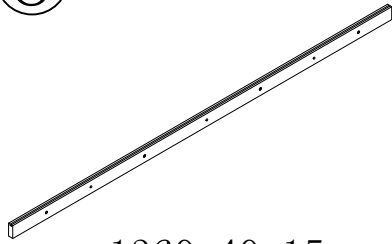
A1  Ø6*35 170PCS	A2  Ø9.5MM 170PCS	B  Ø6*30 142PCS	C  Ø3.5*12 186PCS
D  Ø3.5*40 42PCS	E  Ø3.5*35 36PCS	F  8PCS	G  300mm 6PCS
H  8PCS	I  6PCS	J  J1 J2 4PCS	K  M4*8 12PCS
L  M4*18 4PCS	M  M6*15 8PCS	N  M6*20 8PCS	O  2PCS
P  4PCS	Q  Ø20 170PCS	R  64PCS	S  2PCS



T  Ø8*60 6PCS	U  Ø3.5*55 6PCS	V  2PCS	W  2PCS
Y  20PCS			

⑧

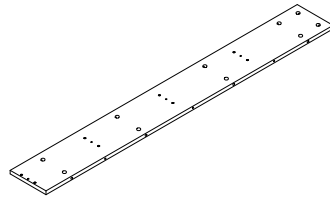
2PCS



1360x40x15

⑩

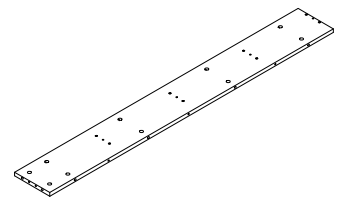
1PC



1360x170x15

⑪

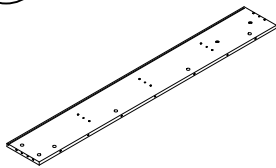
1PC



1360x170x15

⑫

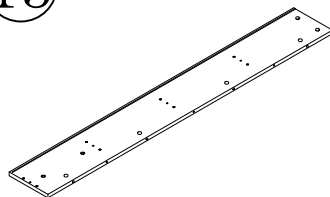
1PC



1360x185x15

⑬

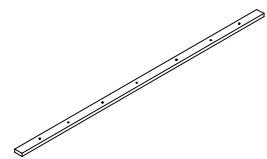
1PC



1360x185x15

⑭

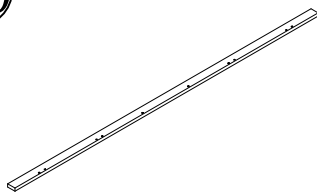
4PCS



1360x40x15

⑳

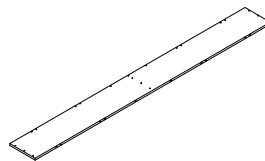
2PCS



1689x40x15

㉒

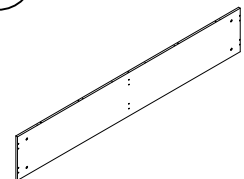
2PCS



1714x185x12

㉓

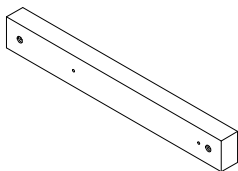
1PC



1714x289x12

㉑

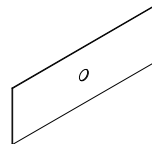
6PCS



330x41x25

㉘

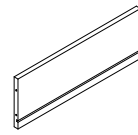
4PCS



807x276.5x3

㉚

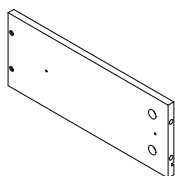
4PCS



368x130x12

㉔

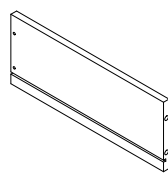
6PCS



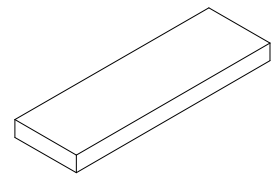
330x130x12

㉜

6PCS

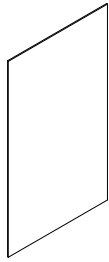


330x130x12



Hardware Pack*1

15



2PCS

651*381*3

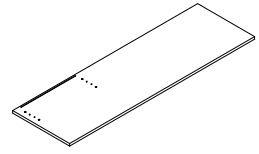
16



2PCS

701*381*3

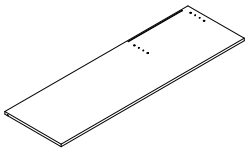
32



1PC

1300x400x15

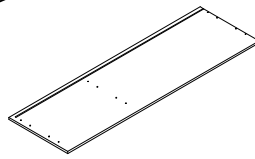
33



1PC

1300x400x15

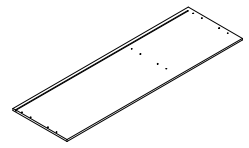
34



1PC

1300x400x12

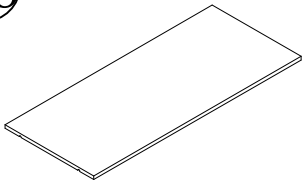
35



1PC

1300x400x12

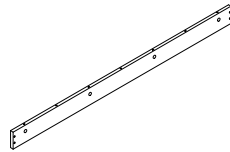
36



2PCS

795x341x15

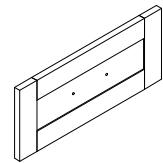
39



4PCS

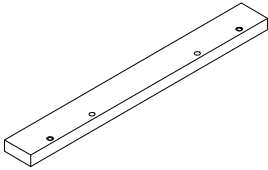
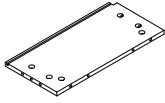
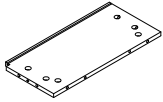
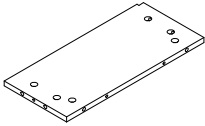
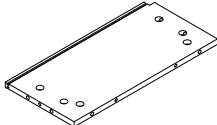
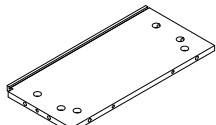
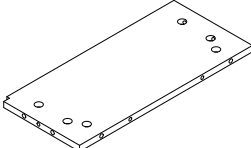
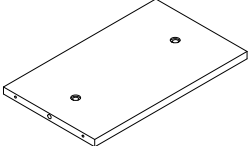
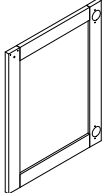
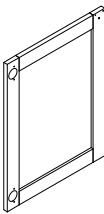


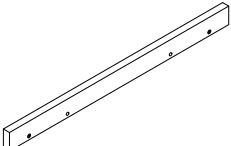
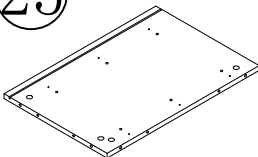
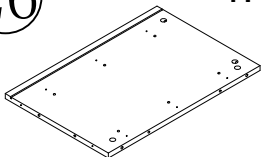
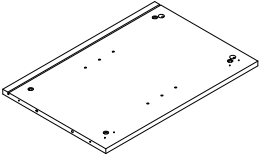
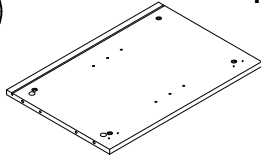
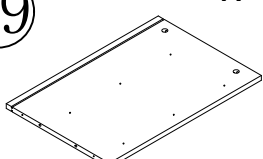
1299x88x15

41



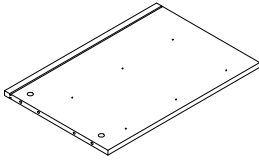
6PCS

412x178x15

<p>① 8PCS</p>  <p>360x40x15</p>	<p>② 1PC</p>  <p>385x185x12</p>	<p>③ 1PC</p>  <p>385x185x12</p>
<p>④ 2PCS</p>  <p>385x175x12</p>	<p>⑤ 1PC</p>  <p>385x185x12</p>	<p>⑥ 1PC</p>  <p>385x185x12</p>
<p>⑦ 2PCS</p>  <p>385x175x12</p>	<p>⑨ 2PCS</p>  <p>289x173x12</p>	<p>⑰ 2PCS</p>  <p>540x412x15</p>
<p>⑱ 2PCS</p>  <p>540x412x15</p>	<p>⑲ 1PC</p>  <p>289x173x12</p>	<p>⑳ 1PC</p>  <p>261x40x15</p>
<p>㉔ 2PCS</p>  <p>545x40x15</p>	<p>㉕ 1PC</p>  <p>545x370x15</p>	<p>㉖ 1PC</p>  <p>545x370x15</p>
<p>㉗ 1PC</p>  <p>545x370x15</p>	<p>㉘ 1PC</p>  <p>545x370x15</p>	<p>㉙ 1PC</p>  <p>545x370x15</p>

30

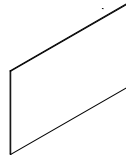
1PC



545x370x15

37

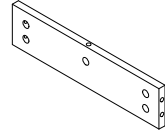
4PCS



276.5*450*3

40

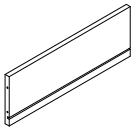
4PCS



368x88x15

42

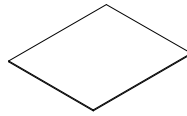
2PCS



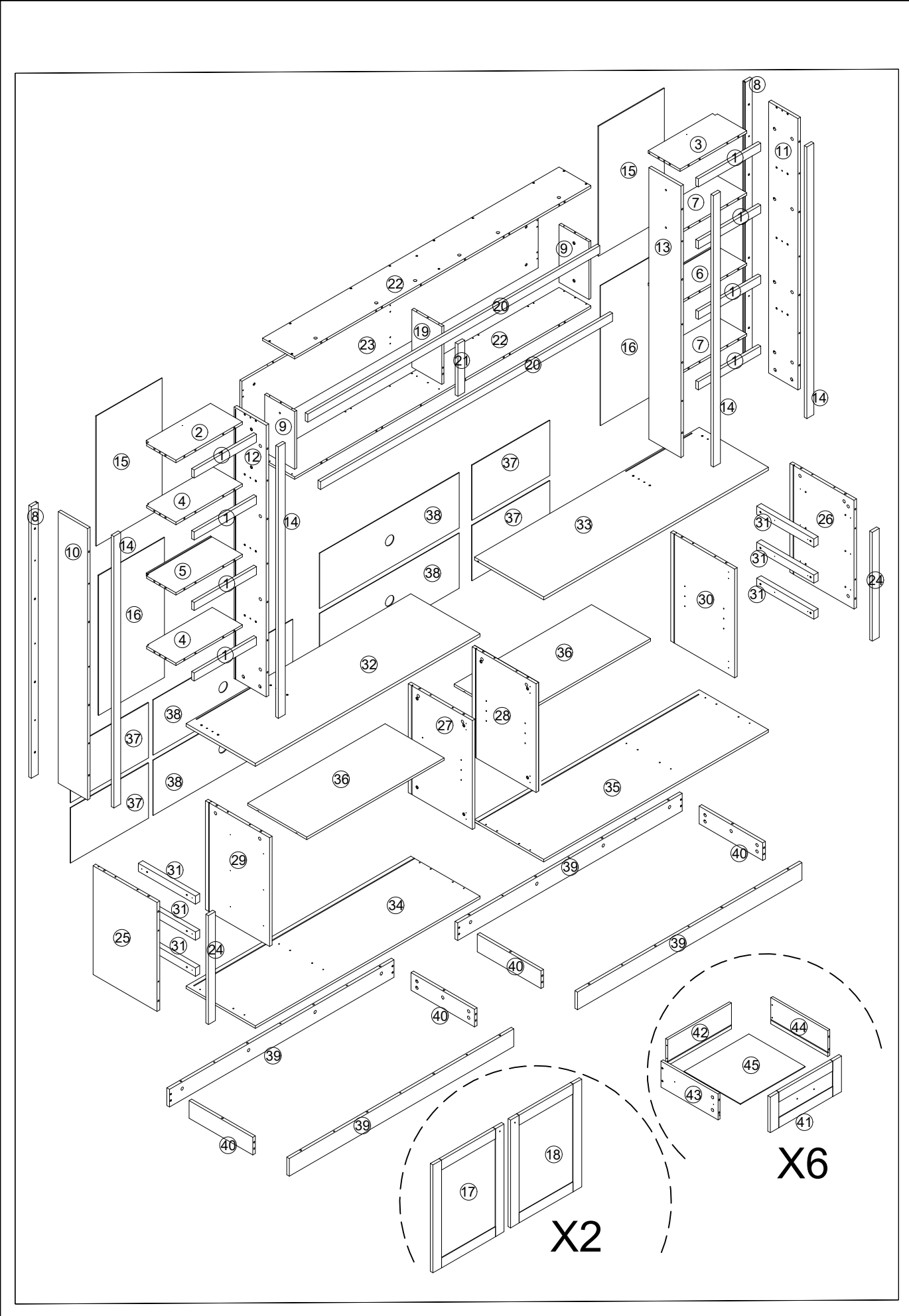
368x130x12

45

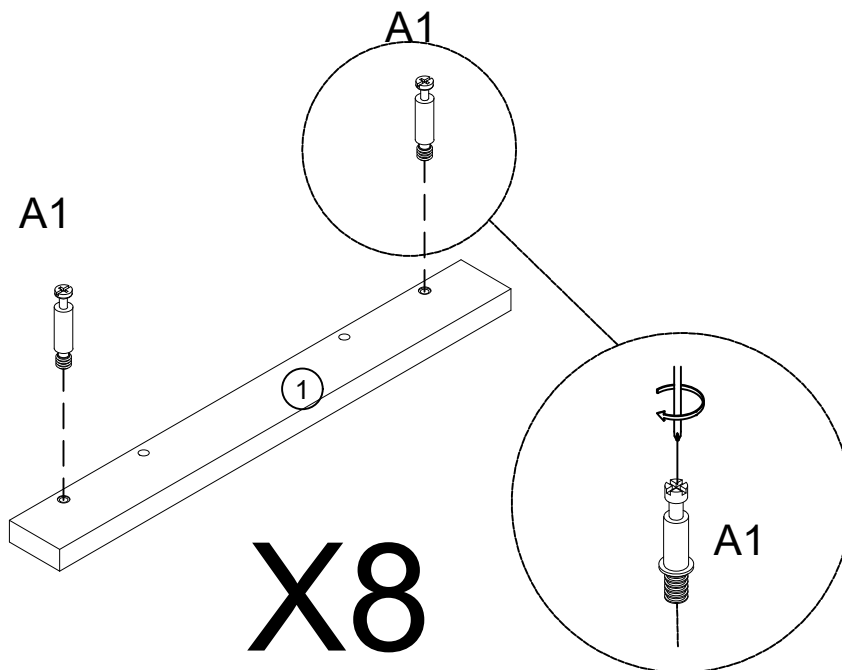
6PCS




376*325*3

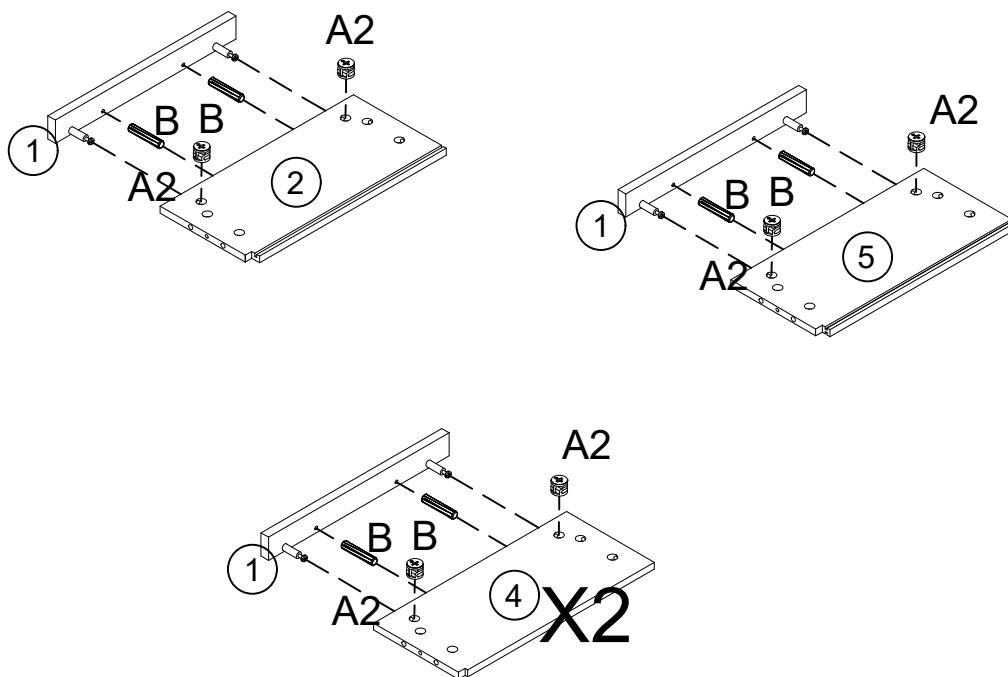



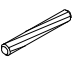
STEP1

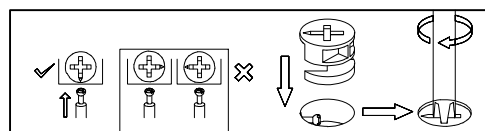


	A1x16PCS
---	----------

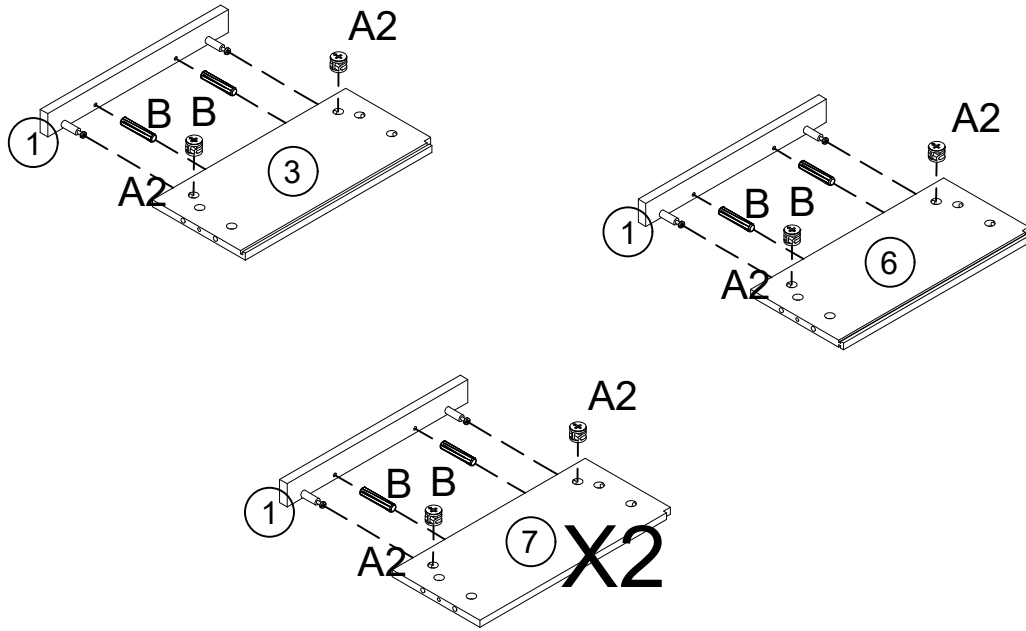
STEP2


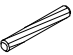


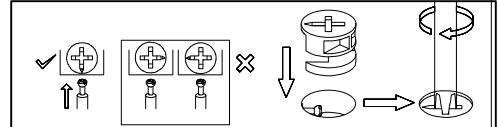
	A2x8PCS
	Bx8PCS



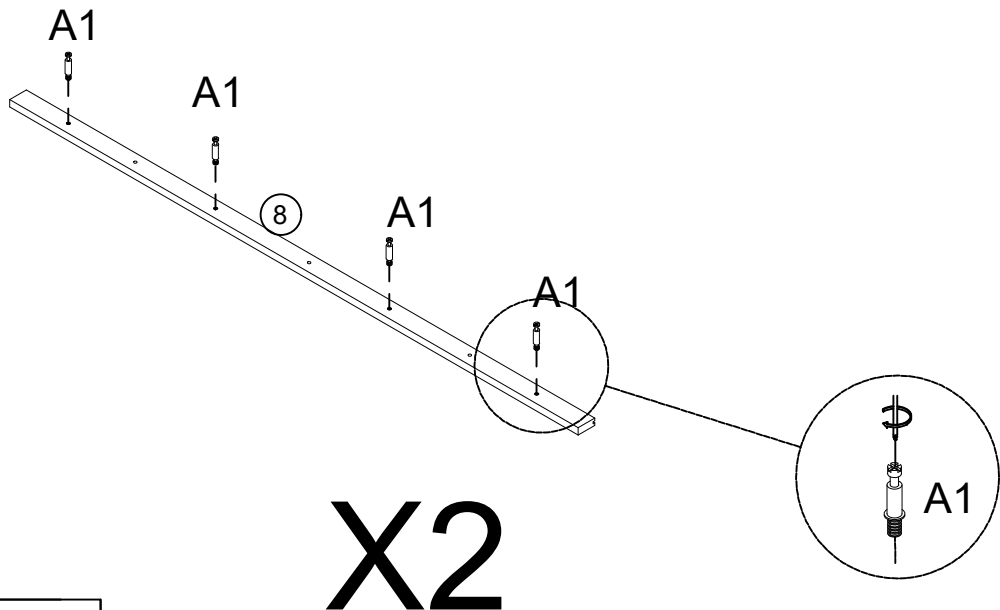
STEP3




	A2x8PCS
	Bx8PCS

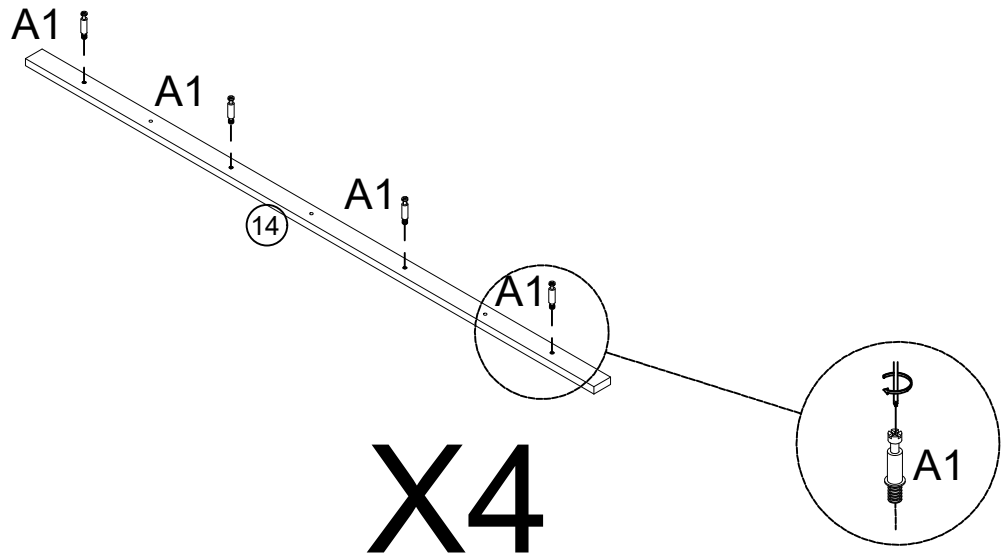


STEP4



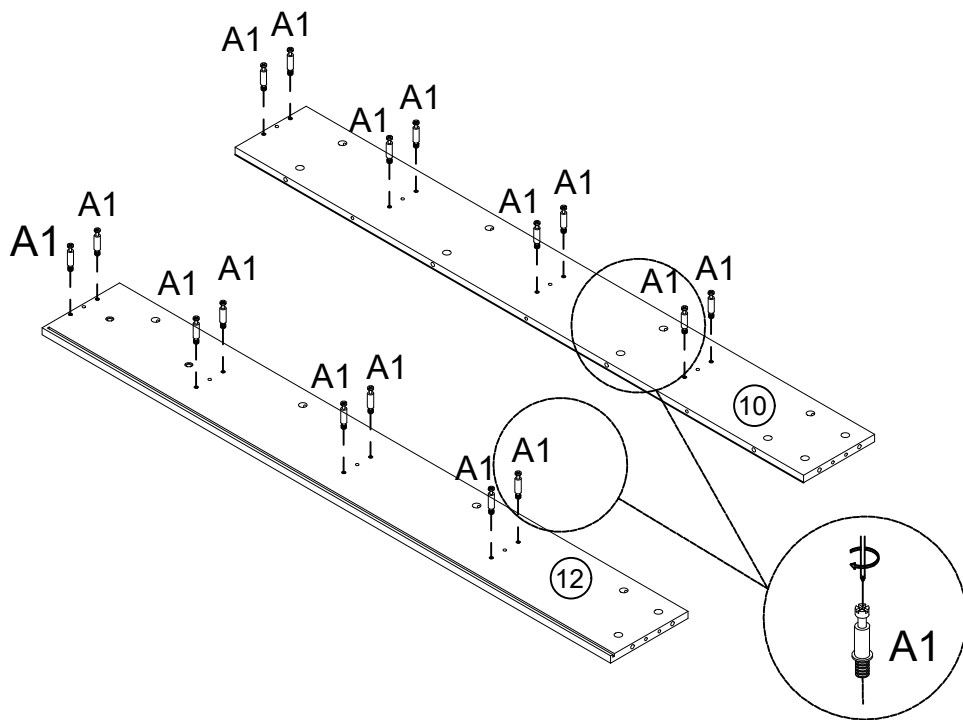
	A1x8PCS
---	---------

STEP5



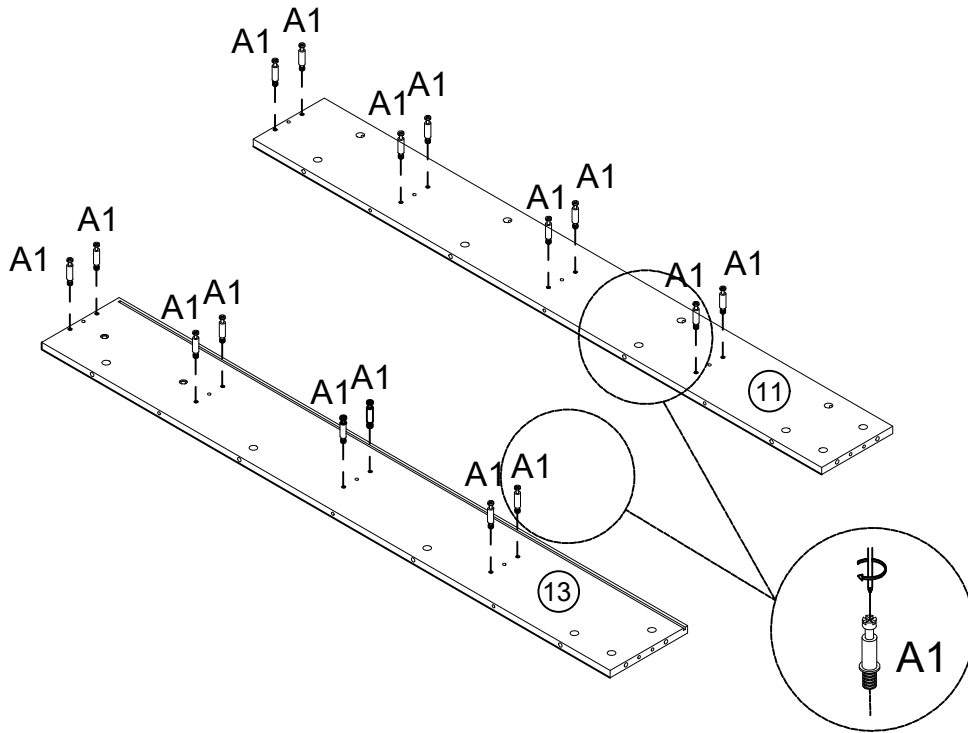
A1x16PCS

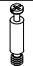
STEP6



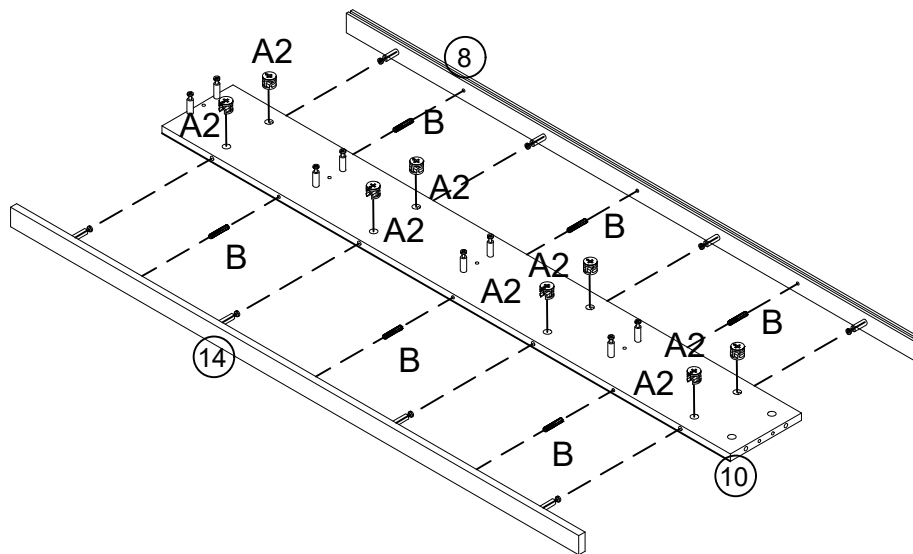
A1x16PCS


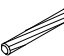
STEP7

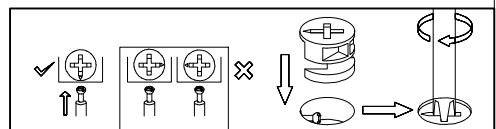


	A1x16PCS
---	----------

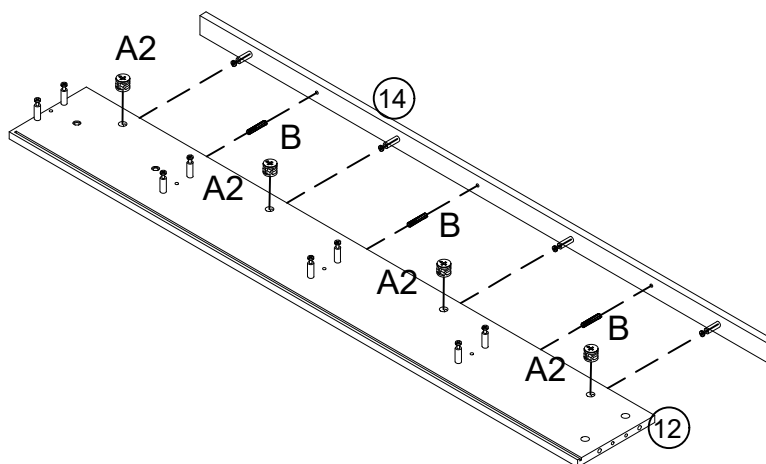
STEP8





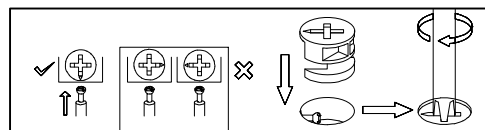
	A2x8PCS
	Bx6PCS



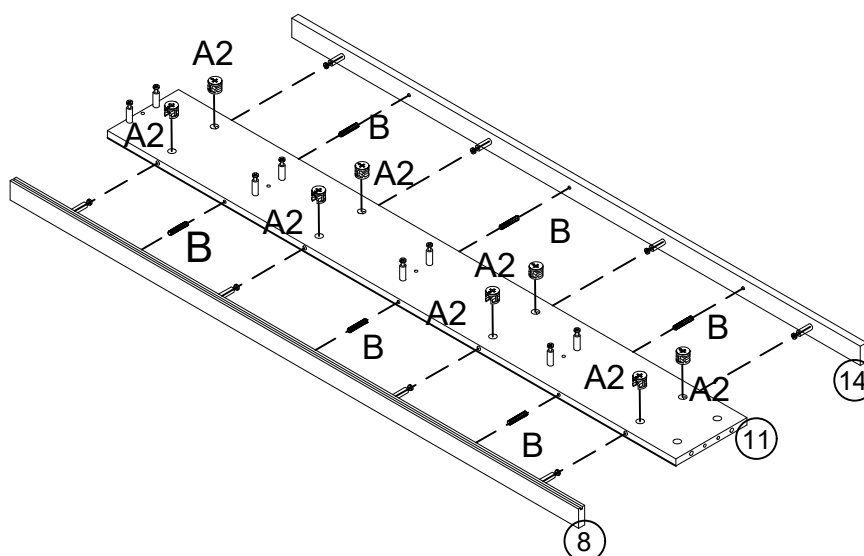
STEP9





	A2x4PCS
	Bx3PCS

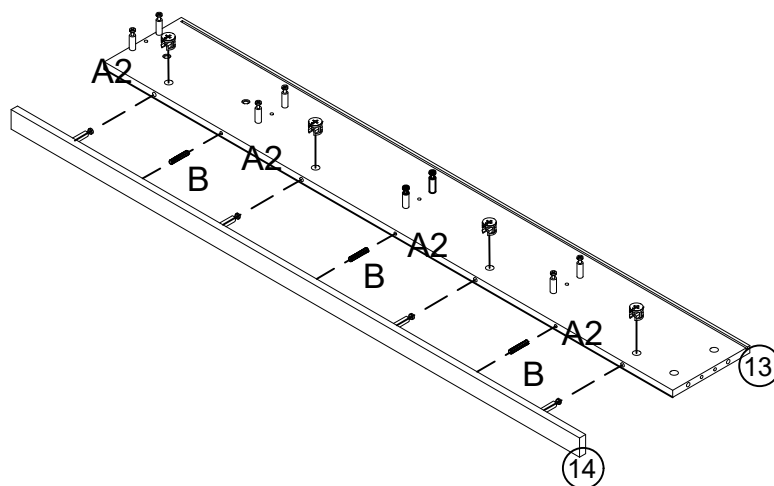




STEP10

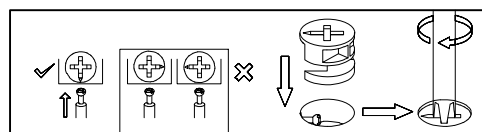


	A2x8PCS
	Bx6PCS

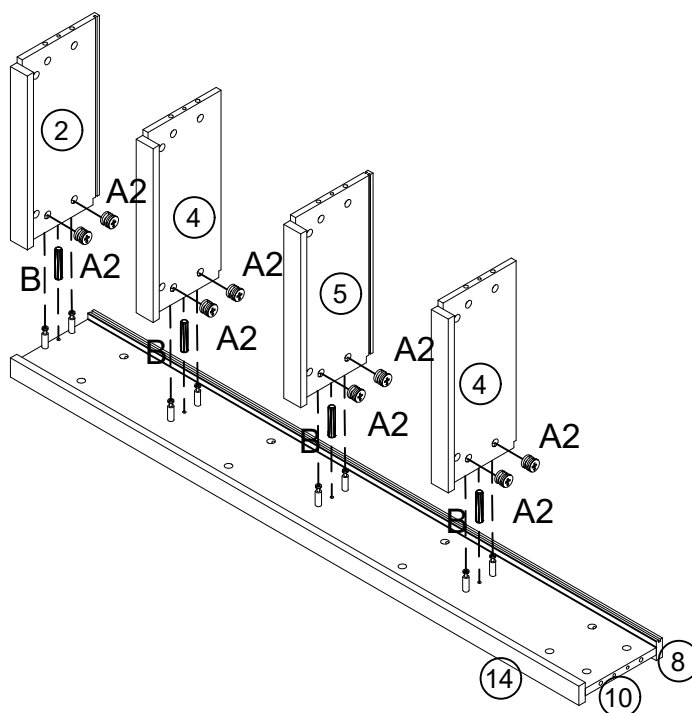
STEP11





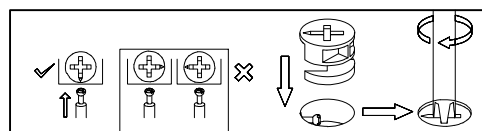
	A2x4PCS
	Bx3PCS



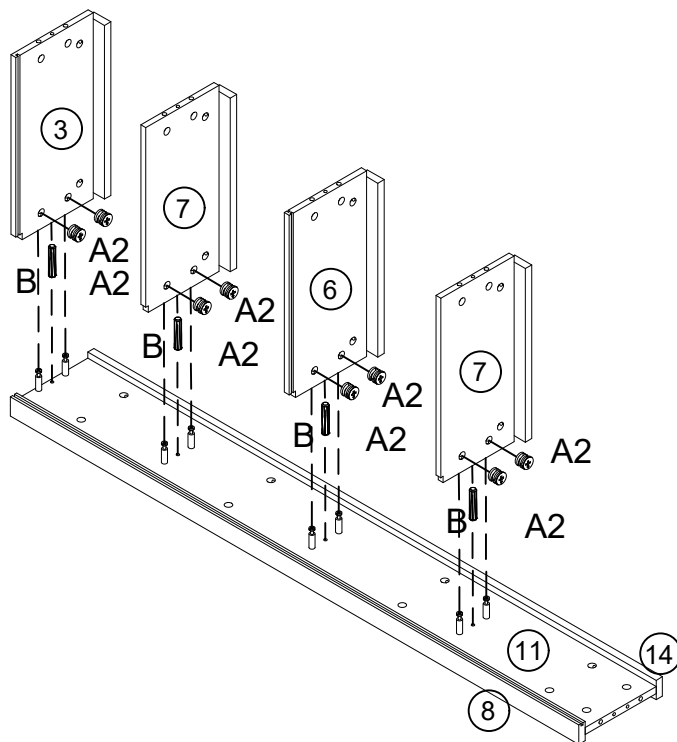
STEP12





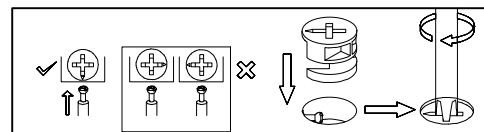
	A2x8PCS
	Bx4PCS



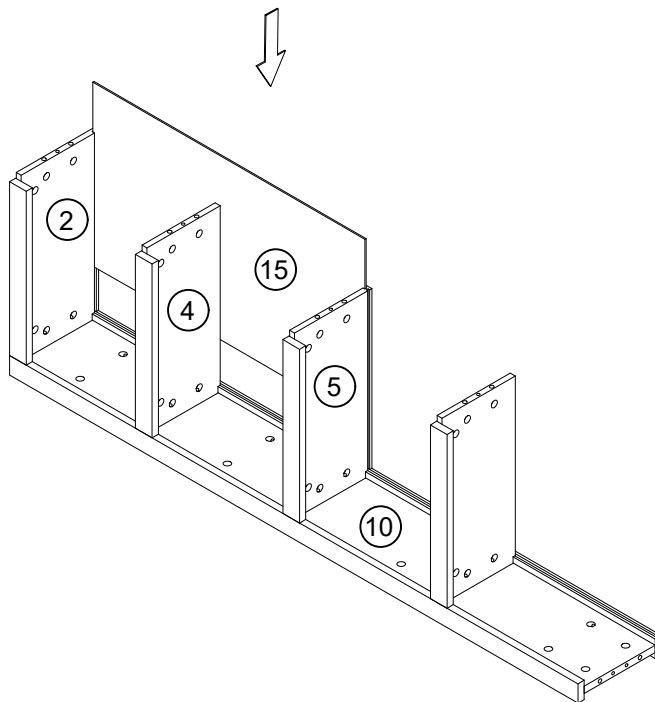
STEP13



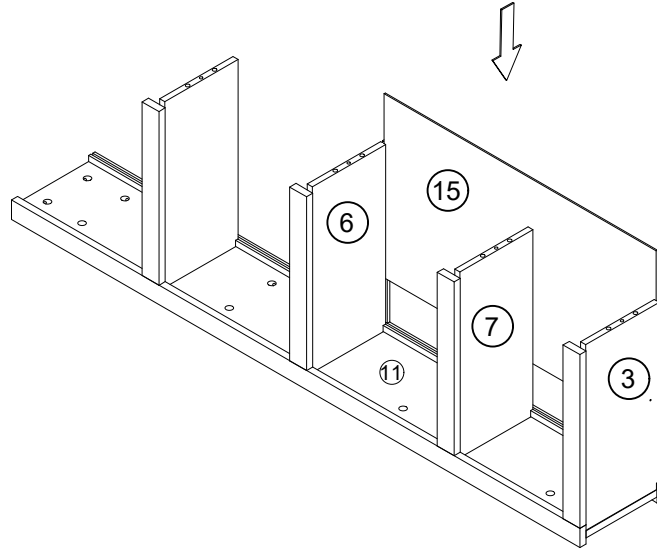
	A2x8PCS
	Bx4PCS



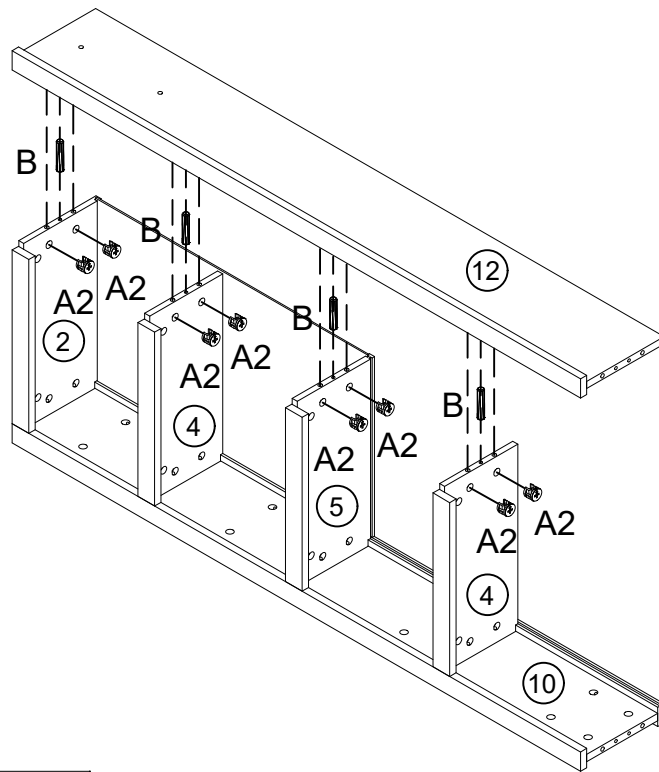
STEP14





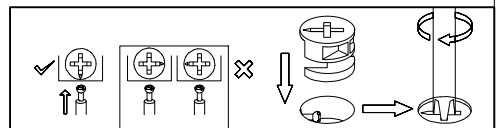
STEP15



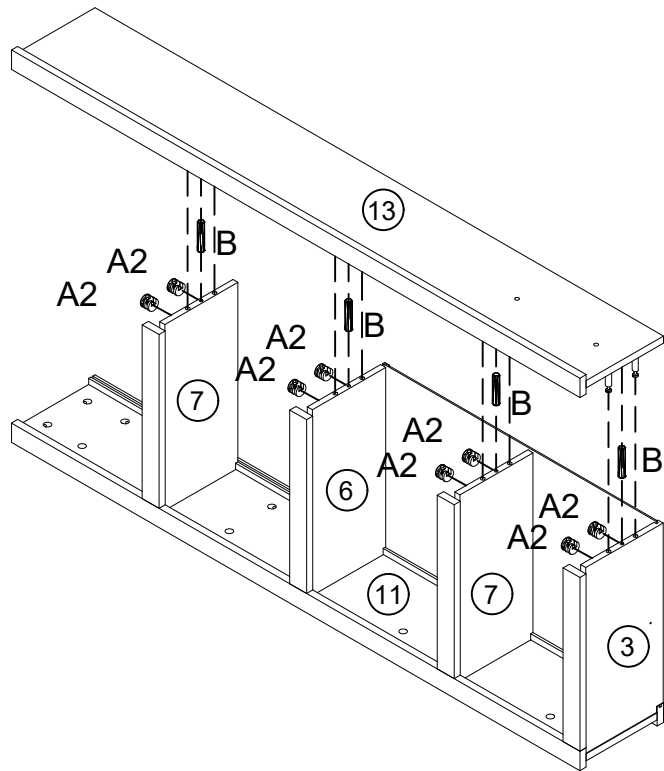
STEP16





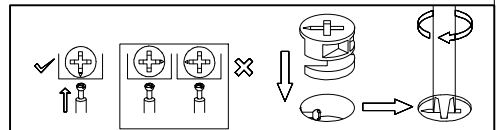
	A2x8PCS
	Bx4PCS



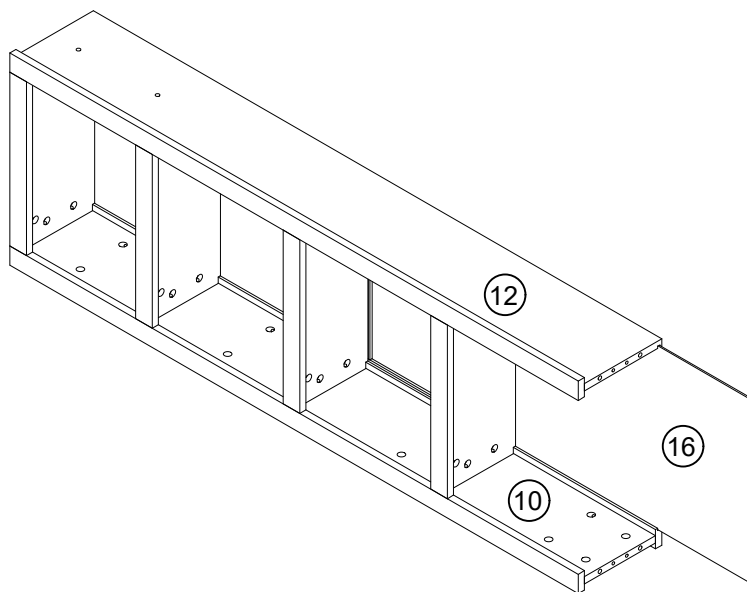
STEP17



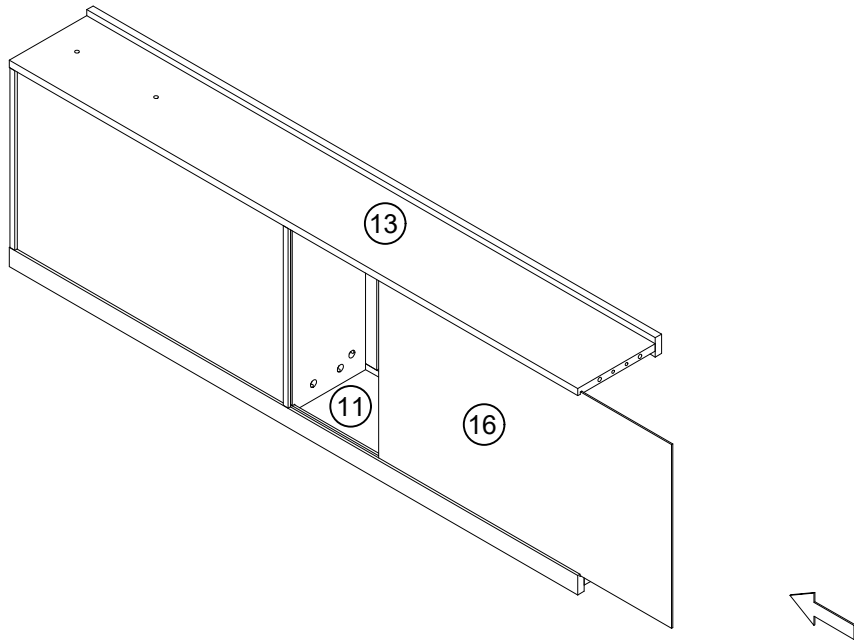
	A2x8PCS
	Bx4PCS



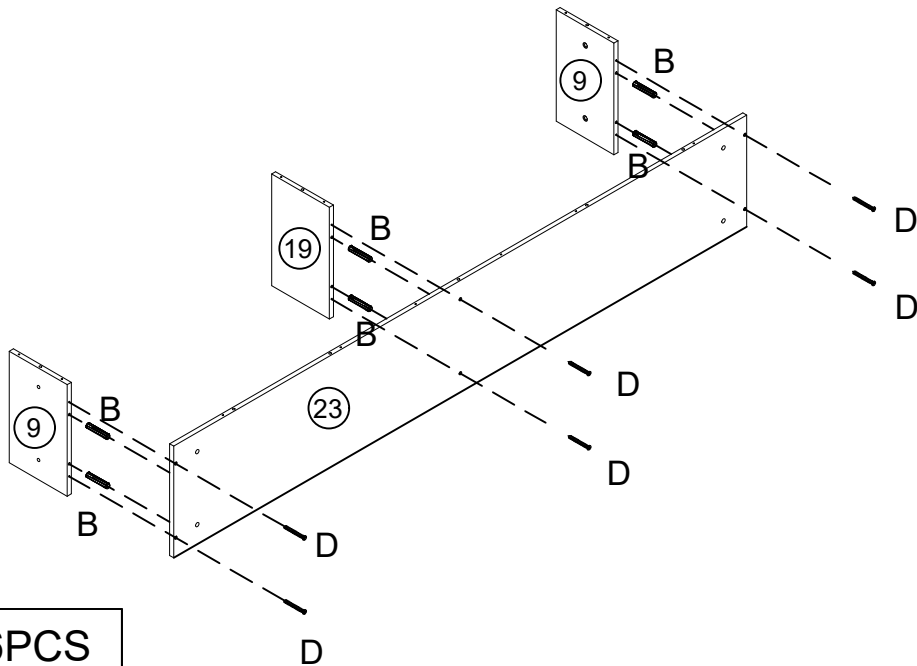
STEP18


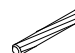


STEP19

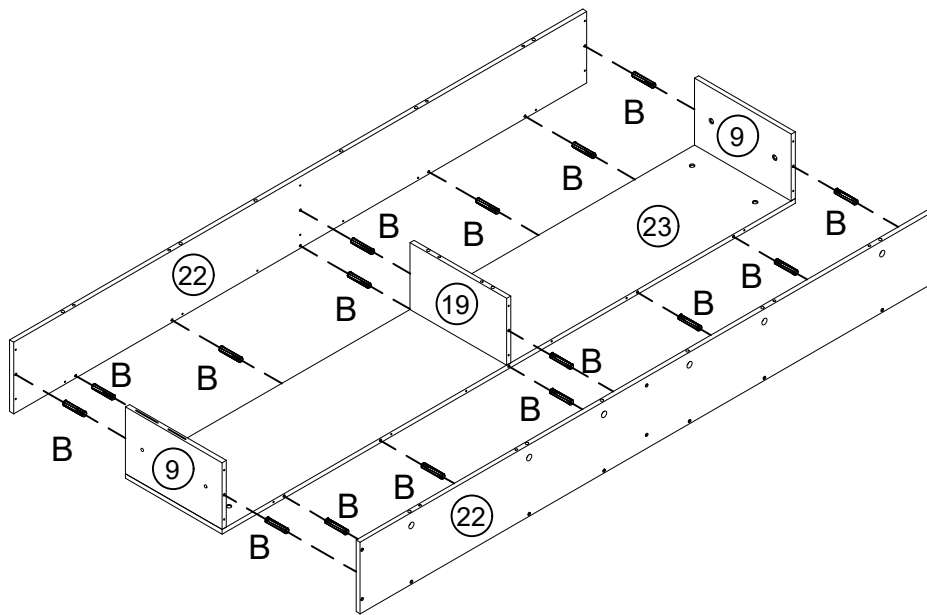


STEP20



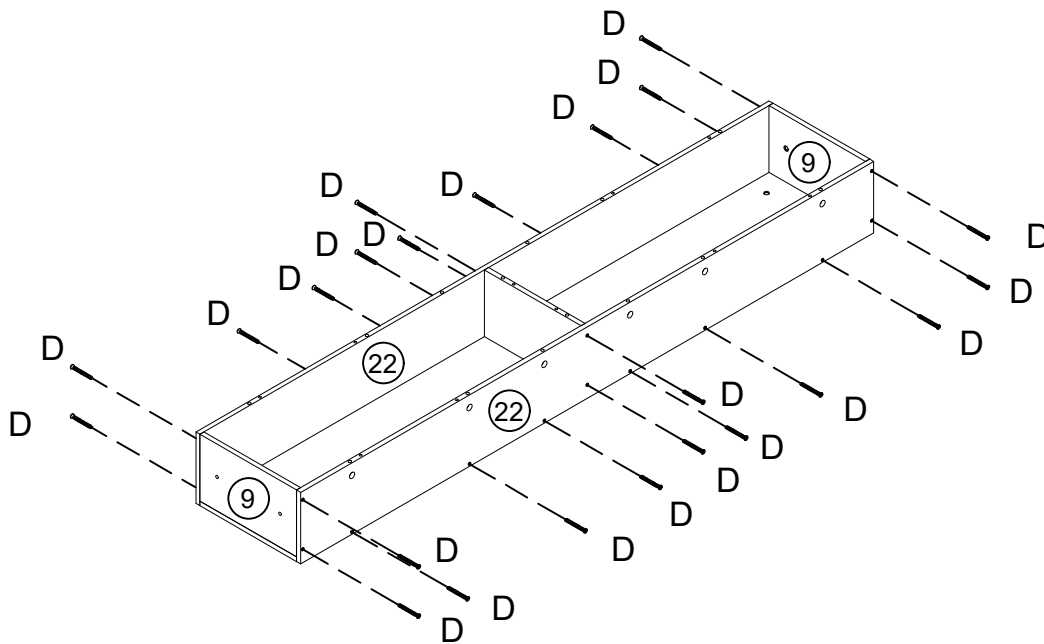
	Dx6PCS
	Bx6PCS

STEP21



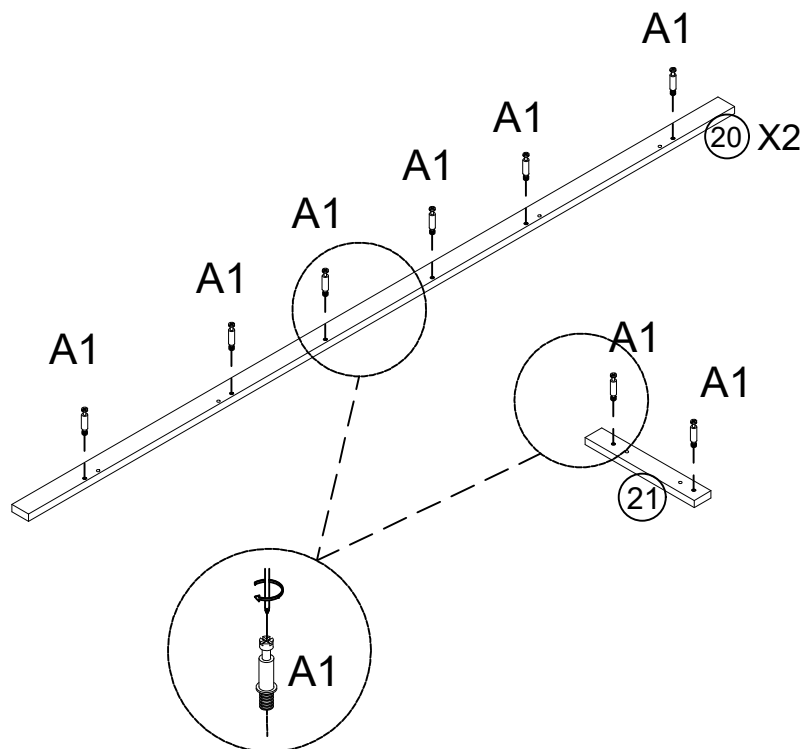
Bx16PCS


STEP22



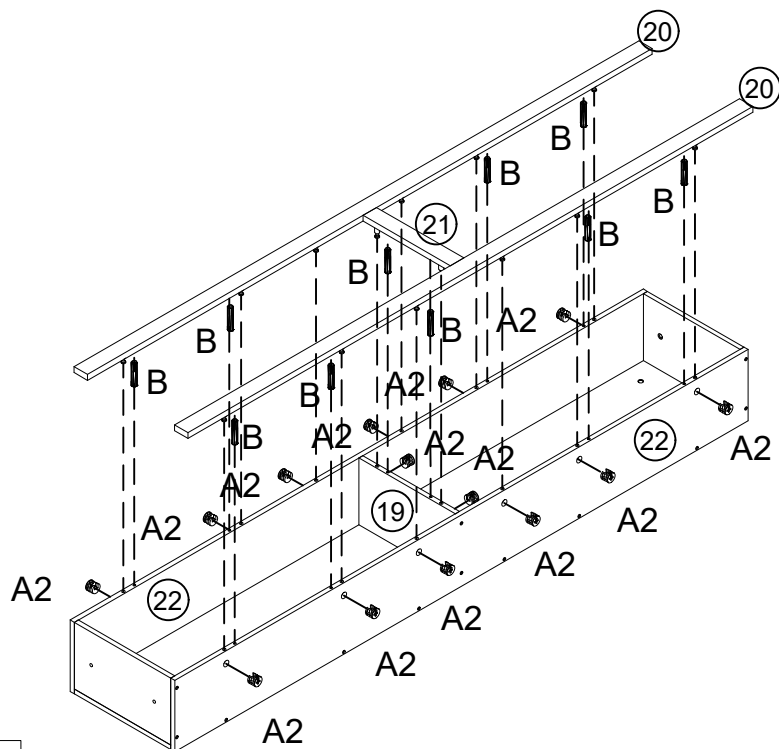
Dx24PCS


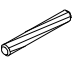
STEP23

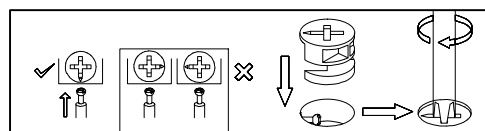


	A1x14PCS
---	----------

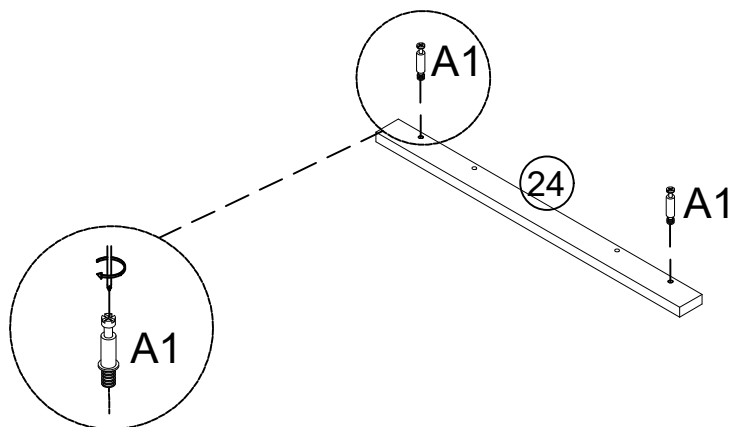
STEP24



	A2x14PCS
	Bx10PCS



STEP25

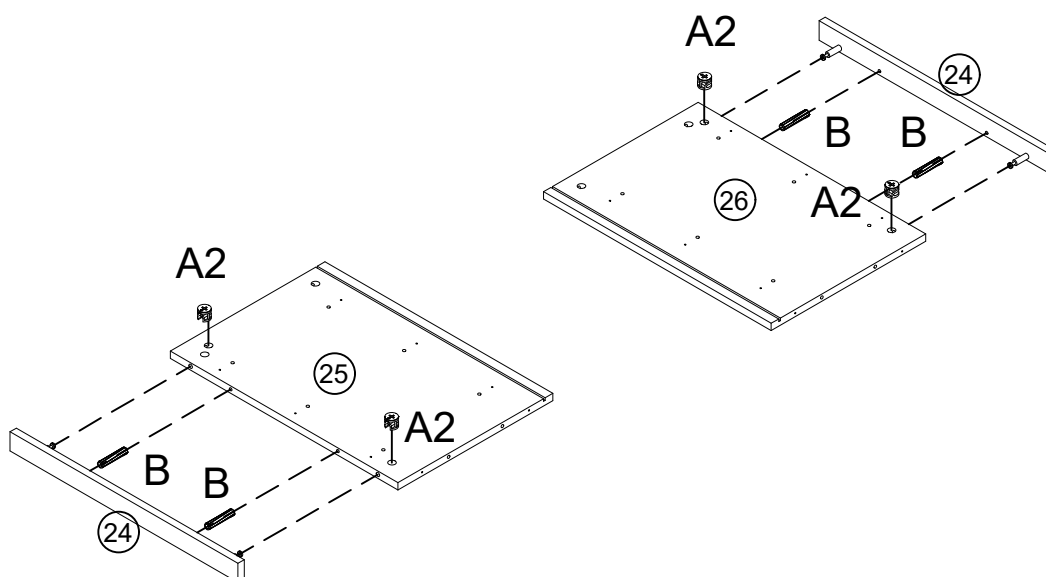


X2



A1x4PCS

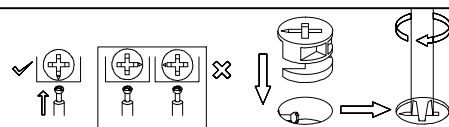
STEP26



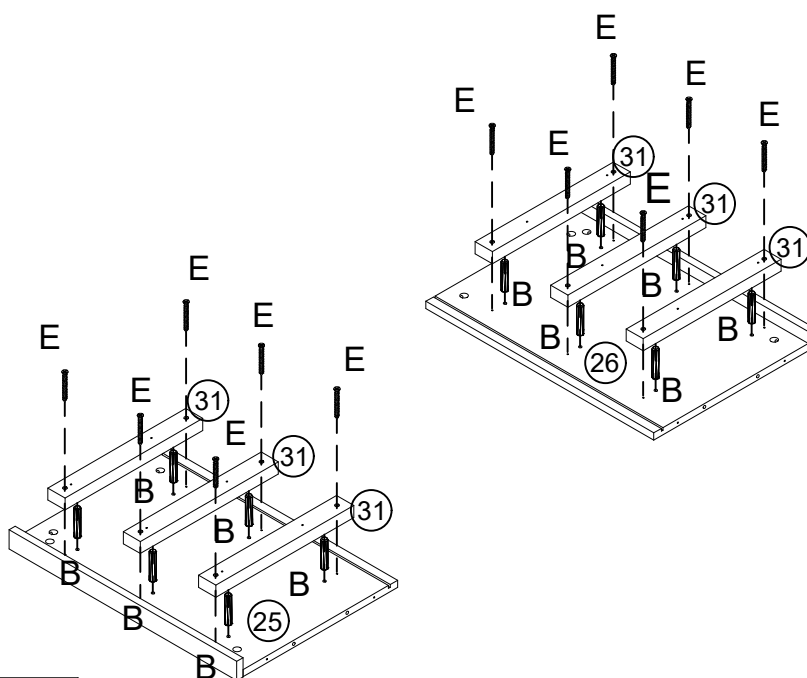
A2x4PCS





Bx4PCS

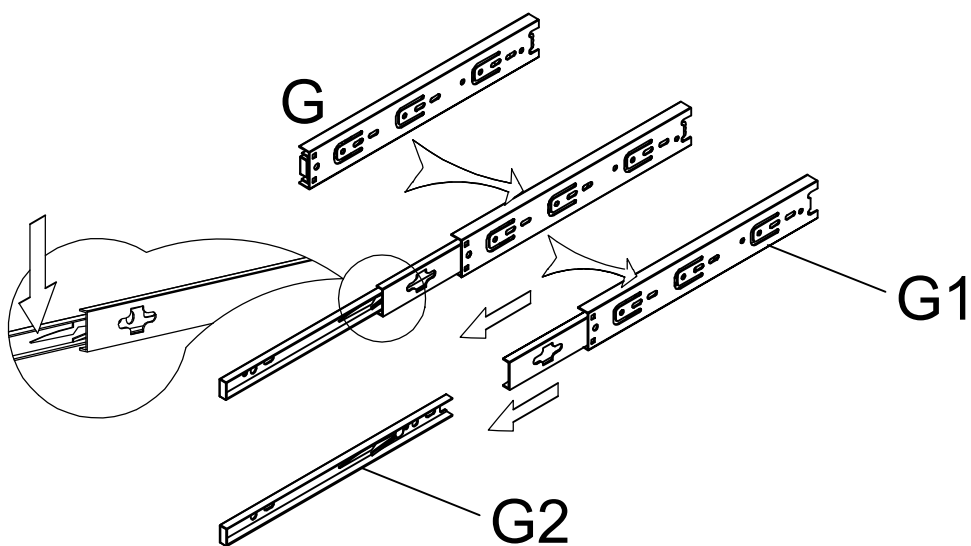


STEP27

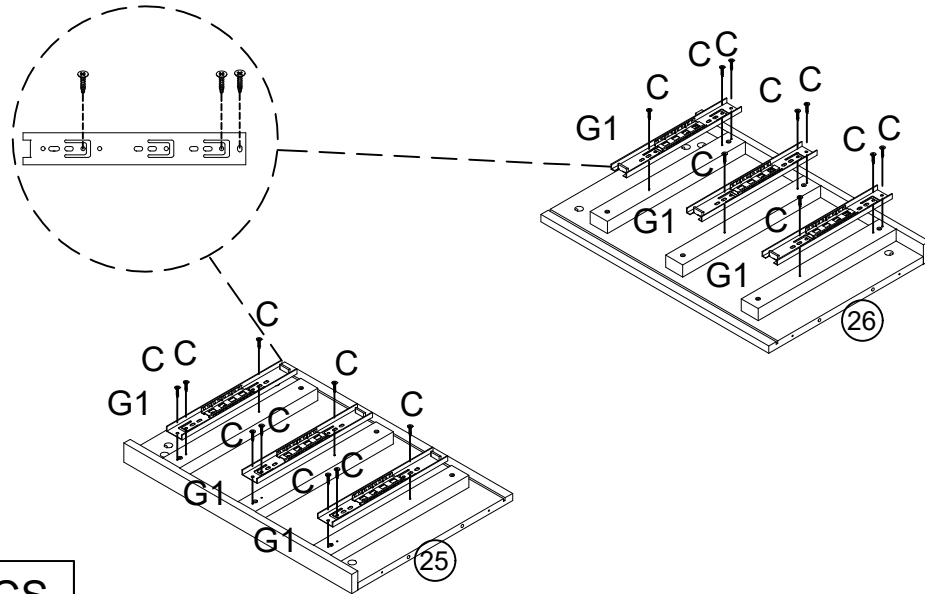




	Ex12PCS
	Bx12PCS

STEP28

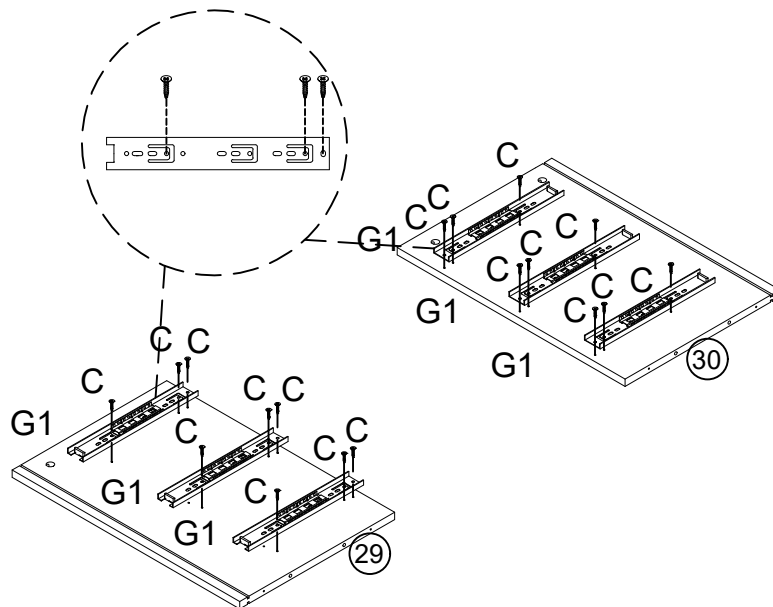




STEP29



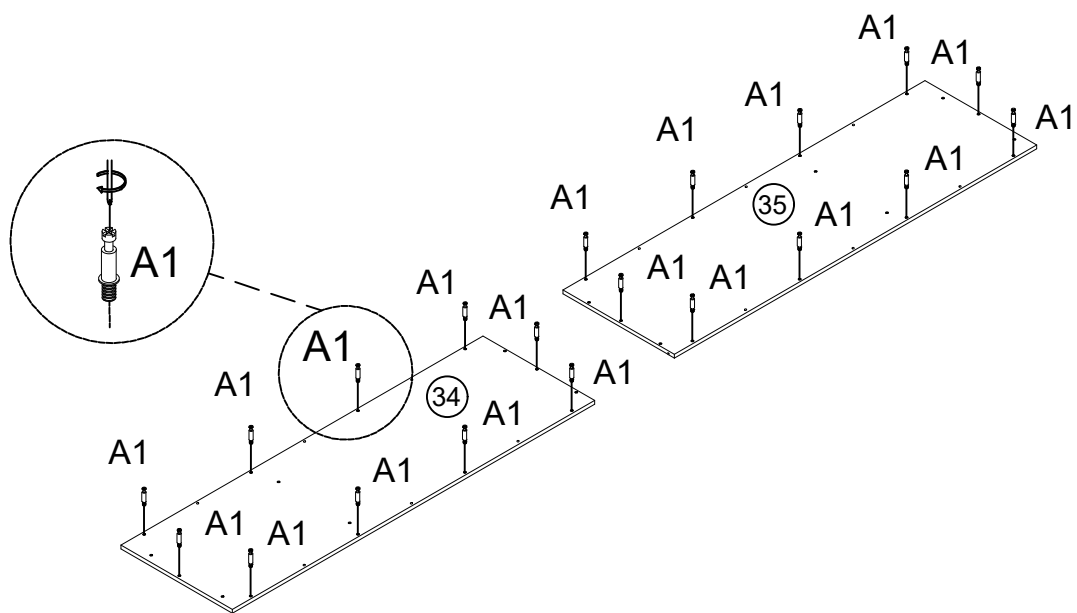
	G1x6PCS
	Cx18PCS

STEP30



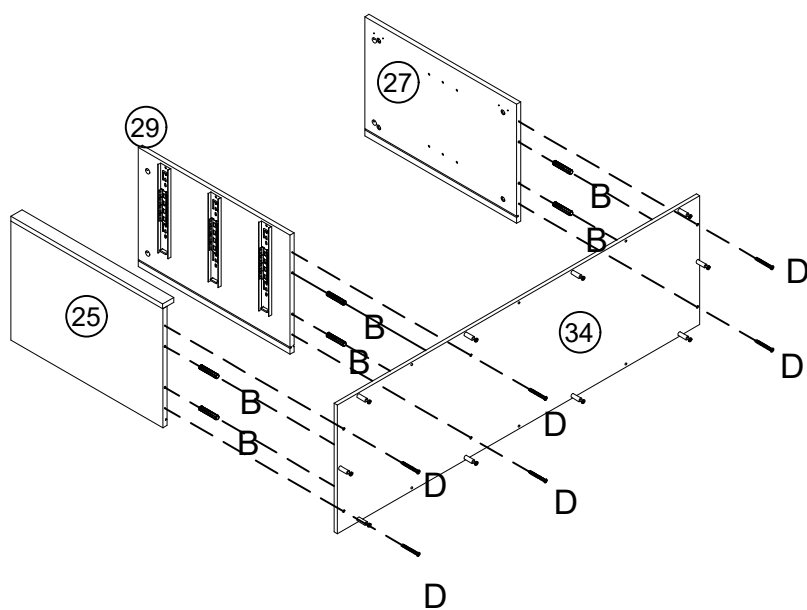
	G1x6PCS
	Cx18PCS

STEP31



A1x20PCS

STEP32

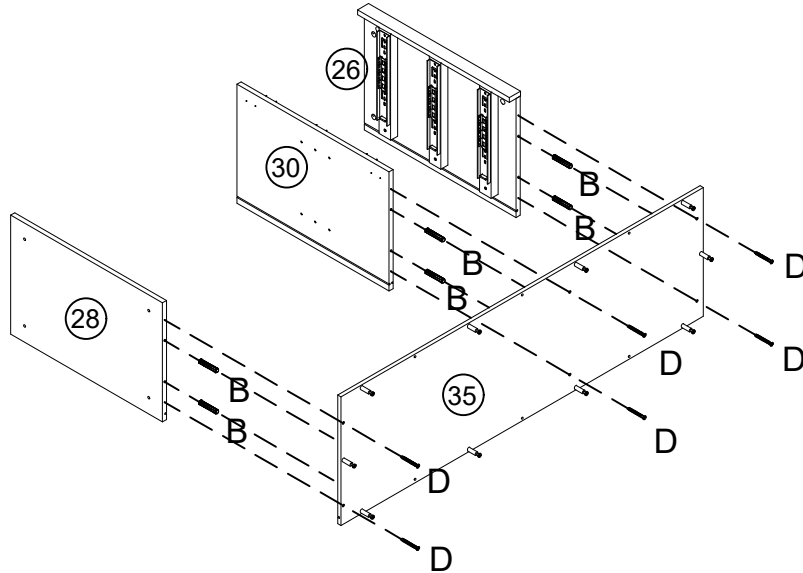


Dx6PCS



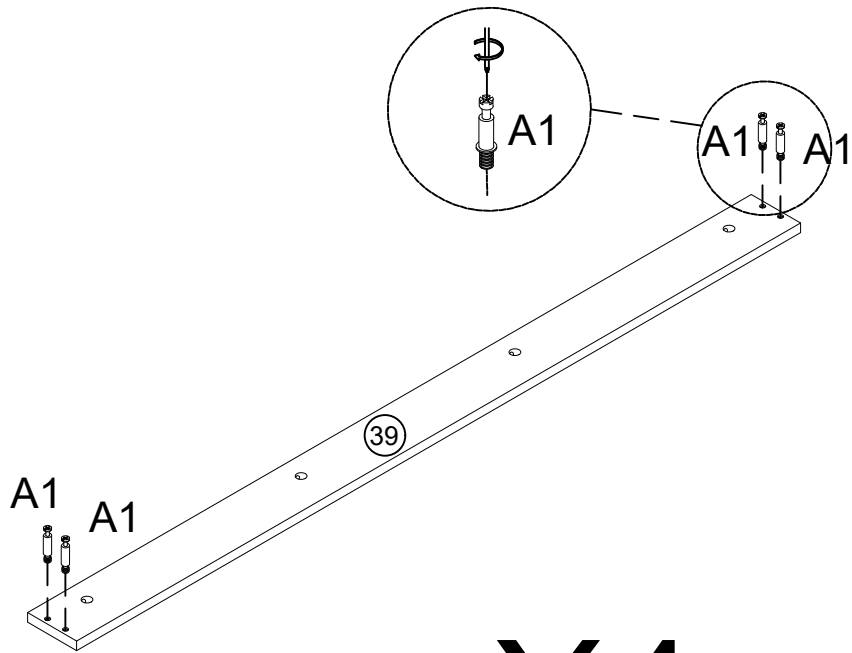
Bx6PCS

STEP33

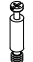


	Dx6PCS
	Bx6PCS

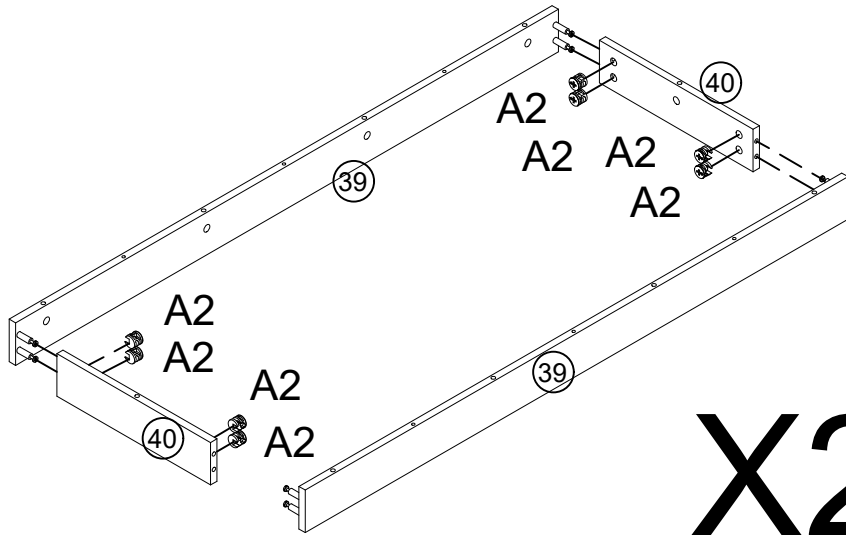
STEP34



X4

	A1x16PCS
---	----------

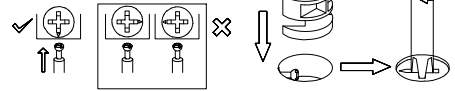
STEP35



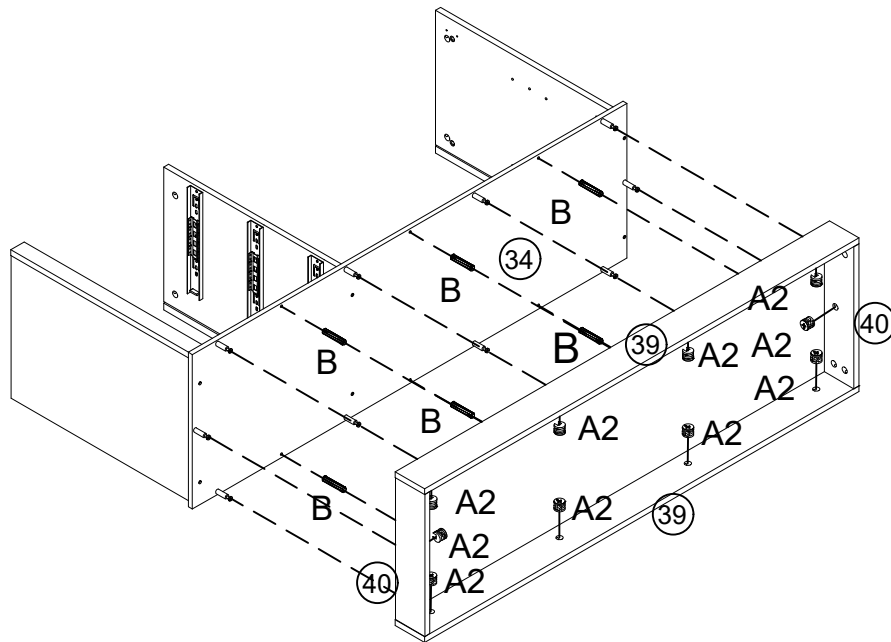
X2



A2x16PCS



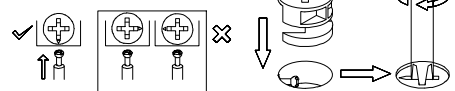
STEP36



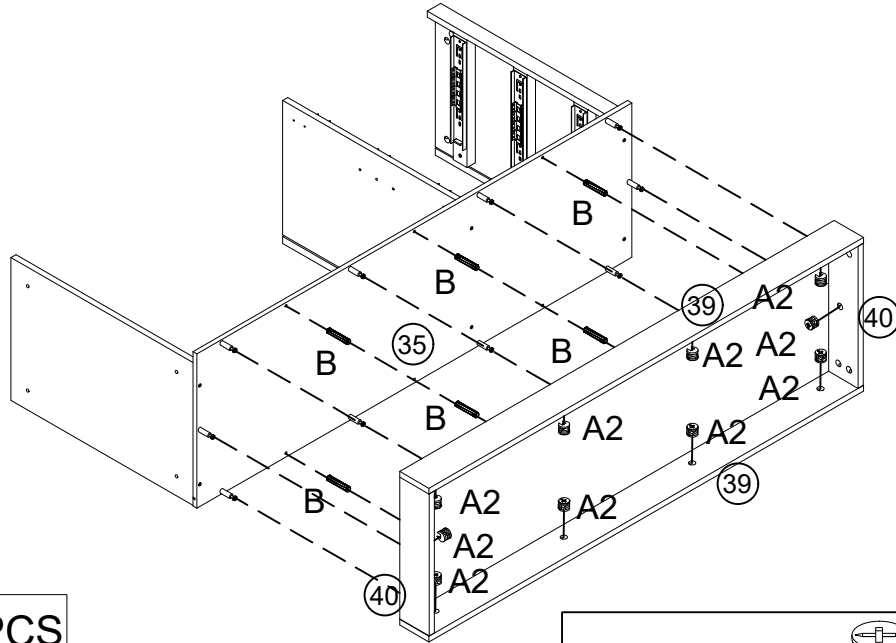
A2x10PCS


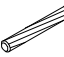


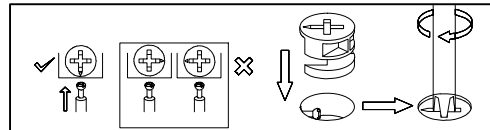
Bx6PCS



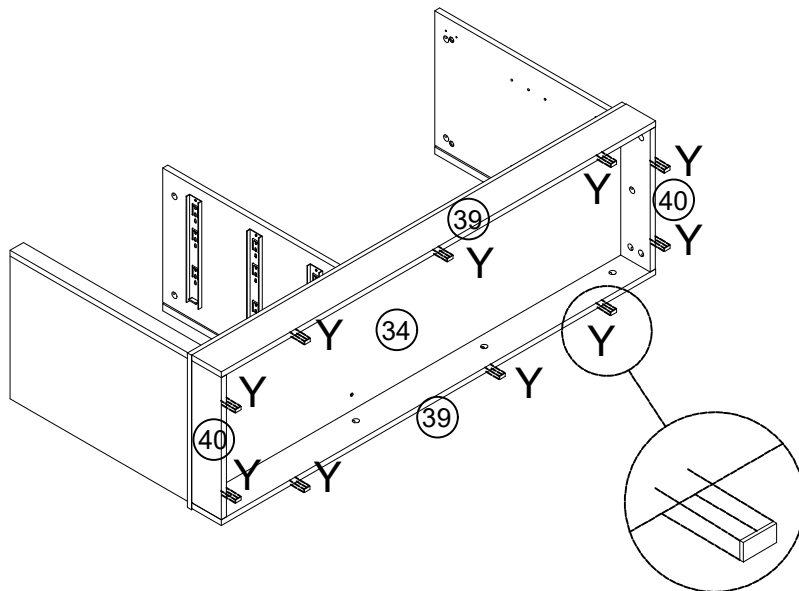
STEP37




	A2x10PCS
	Bx6PCS

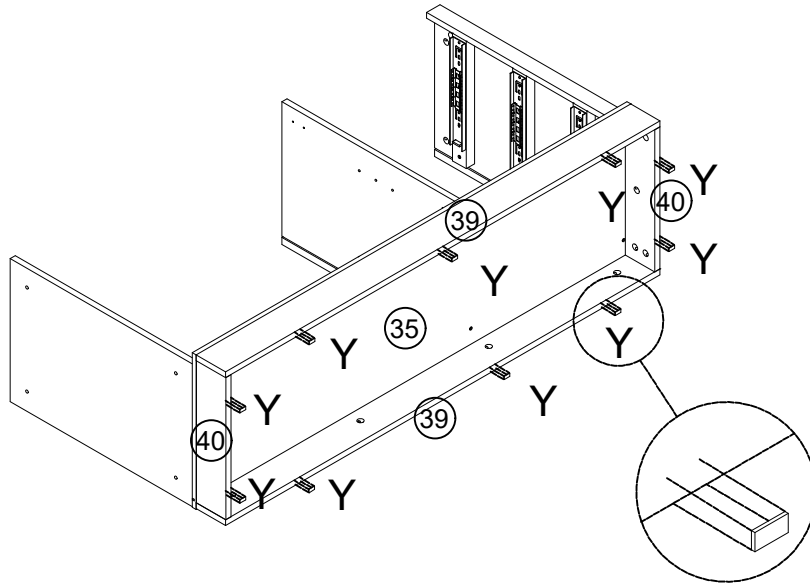


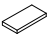
STEP38



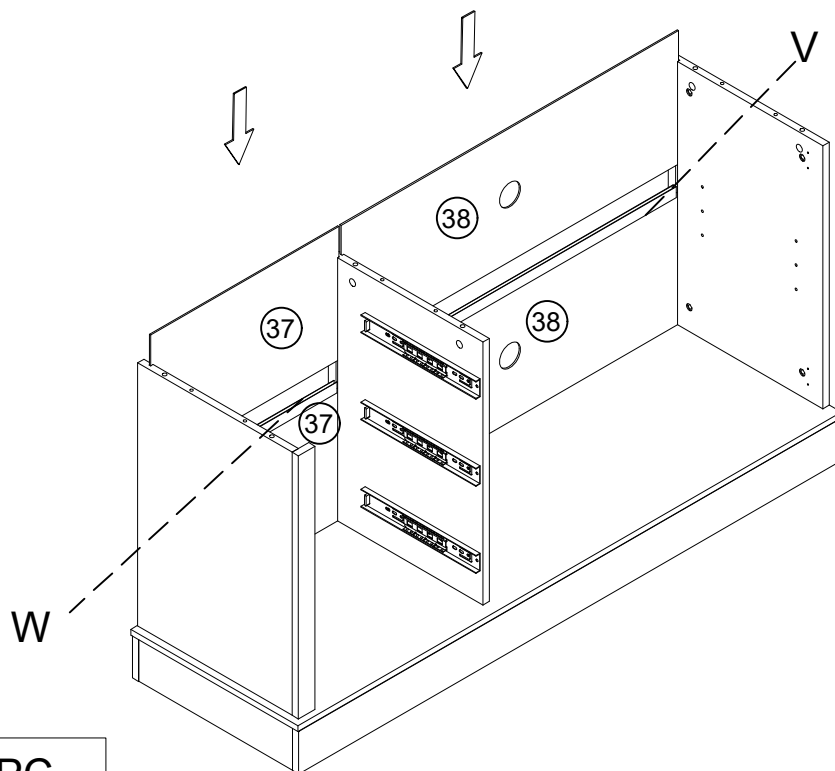
	Yx10PCS
---	---------



STEP39



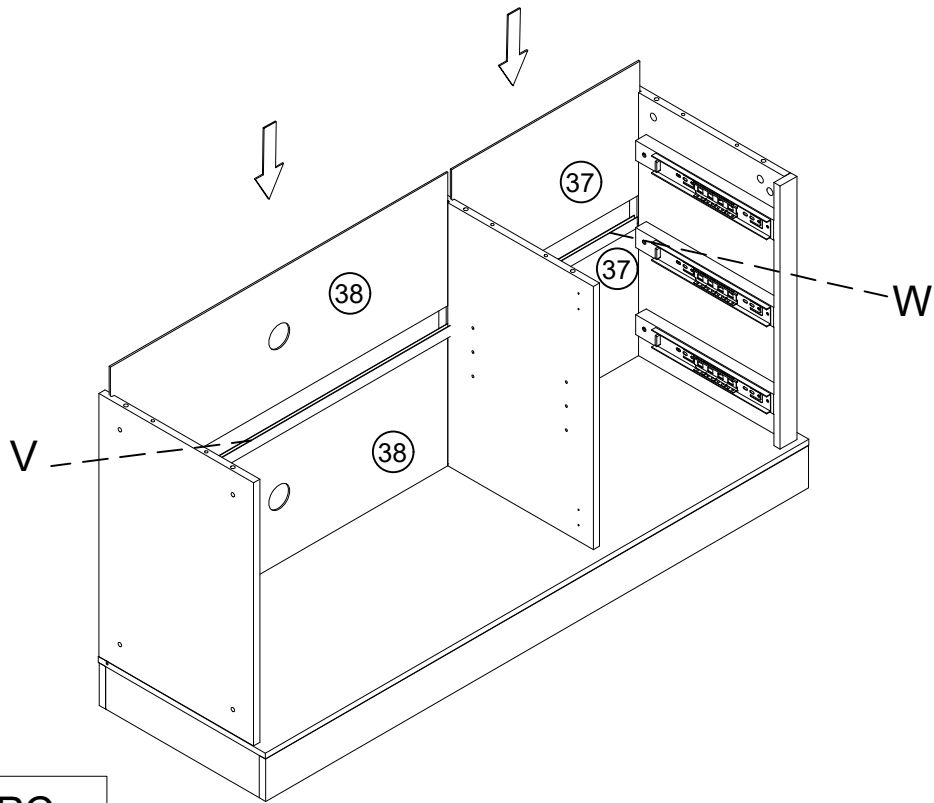
	Yx10PCS
---	---------



STEP40



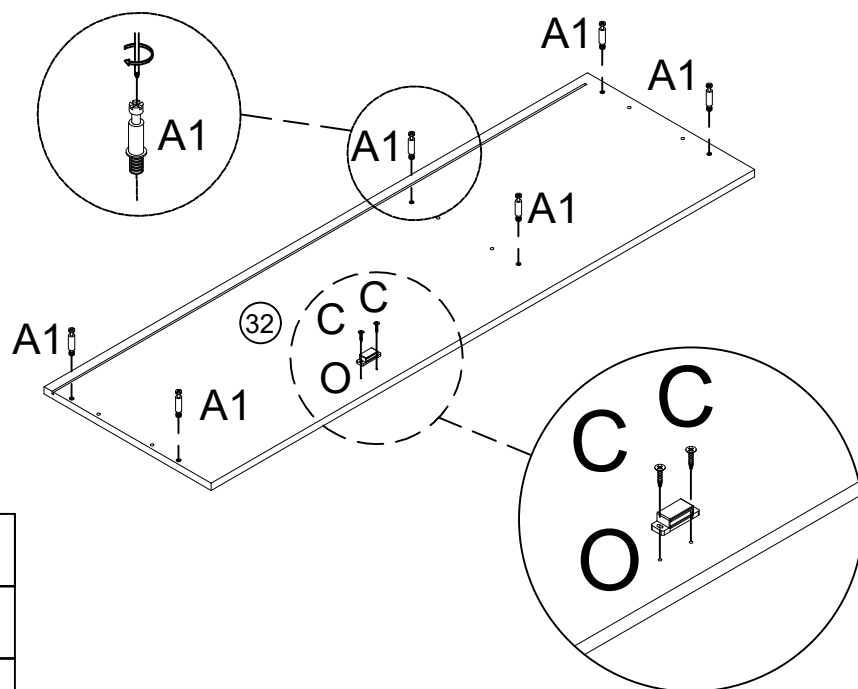
	Wx1PC
	Vx1PC




STEP41



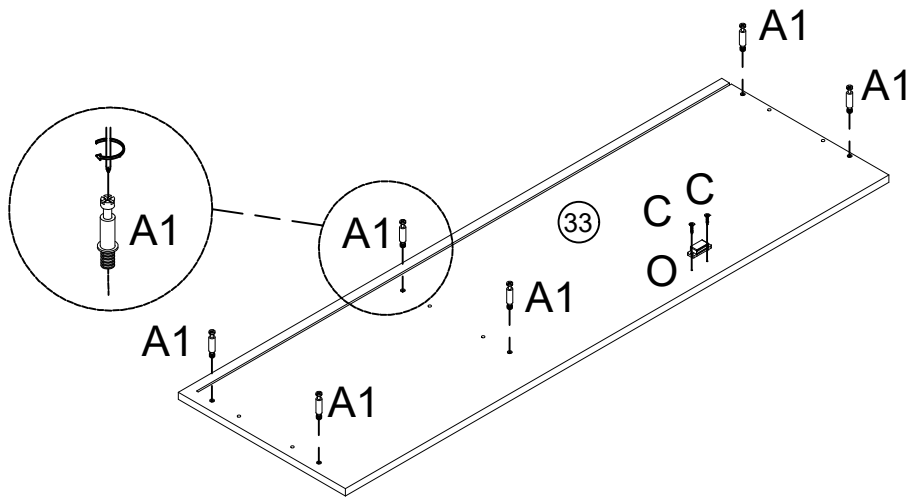
	Wx1PC
	Vx1PC




STEP42



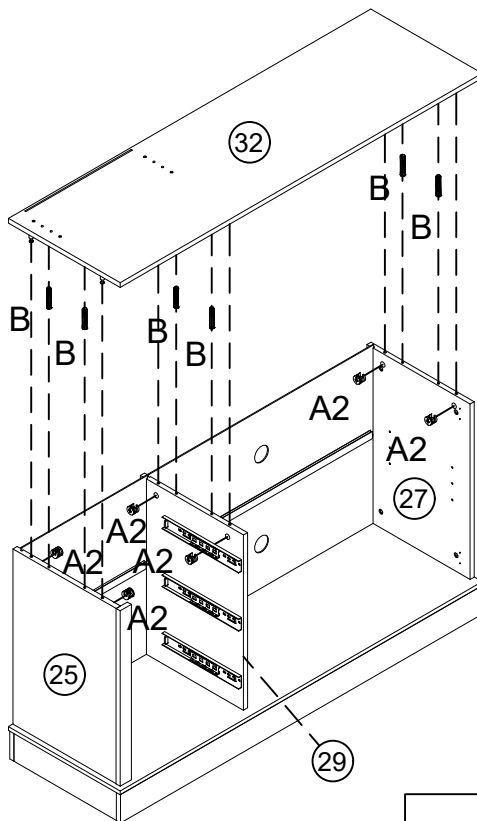
	Cx2PCS
	Ox1PC
	A1x6PCS


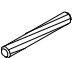
STEP43

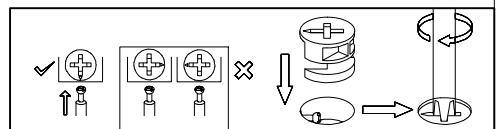


	Cx2PCS
	Ox1PC
	A1x6PCS

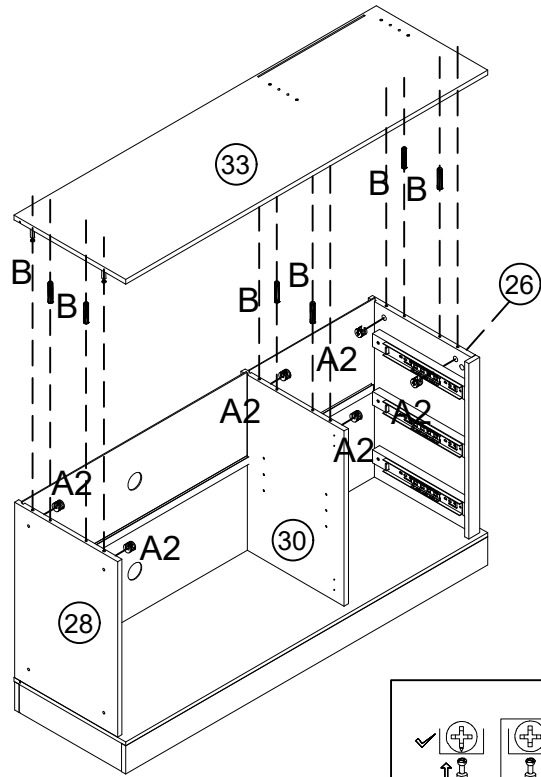
STEP44





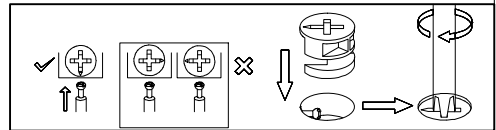
	A2x6PCS
	Bx6PCS



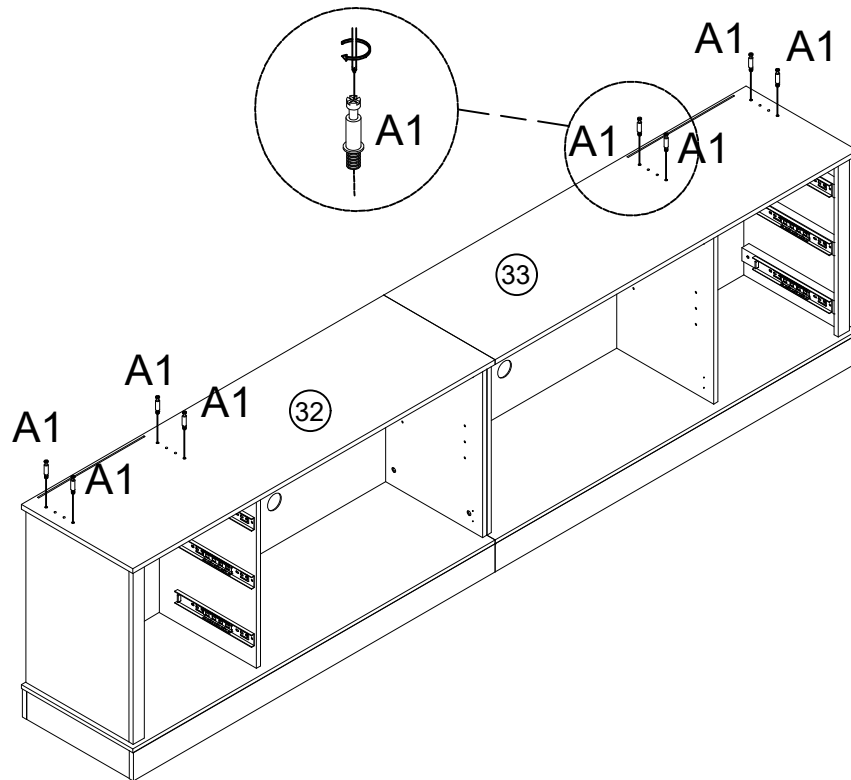
STEP45




	A2x6PCS
	Bx6PCS

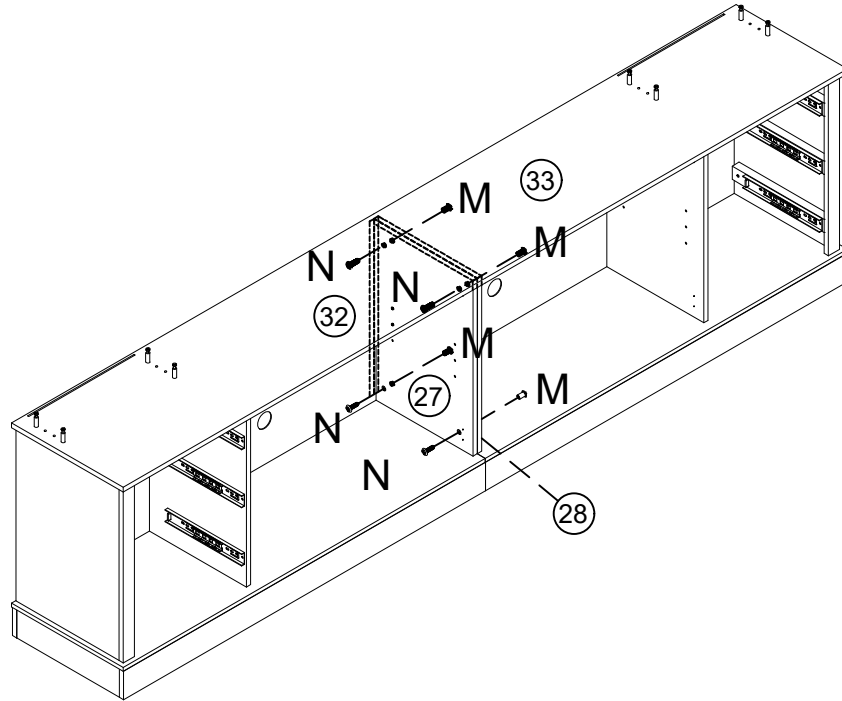




STEP46



	A1x8PCS
---	---------

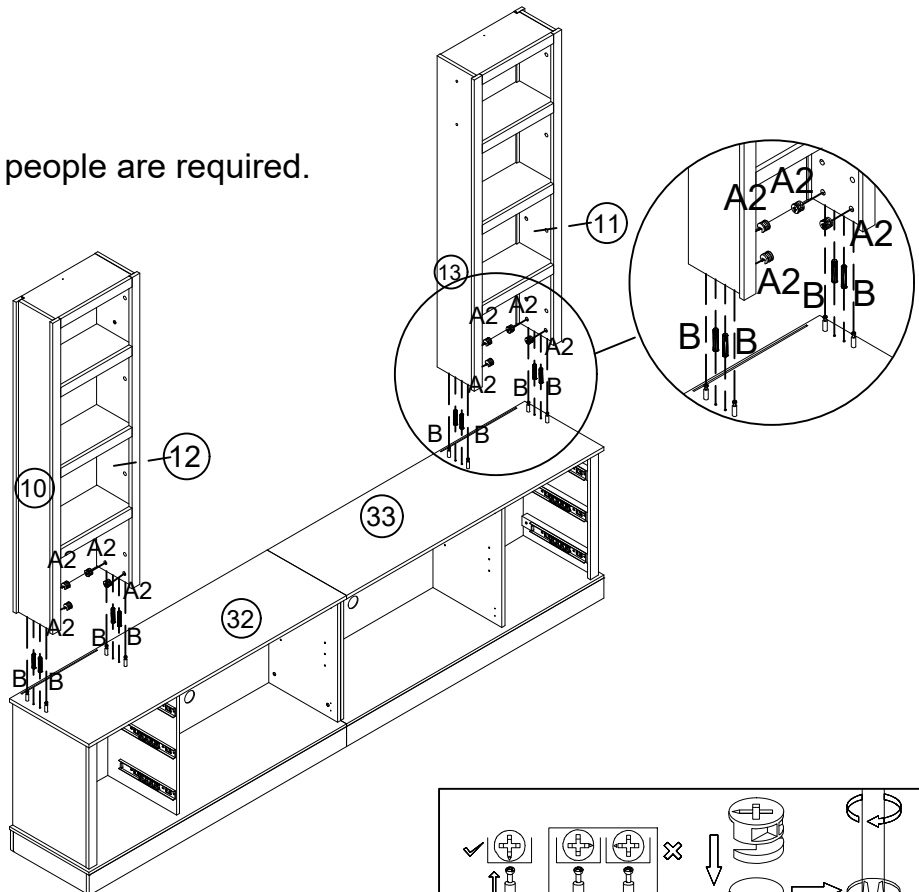
STEP47


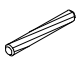


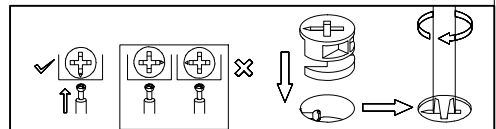
	Mx4PCS
	Nx4PCS

STEP48

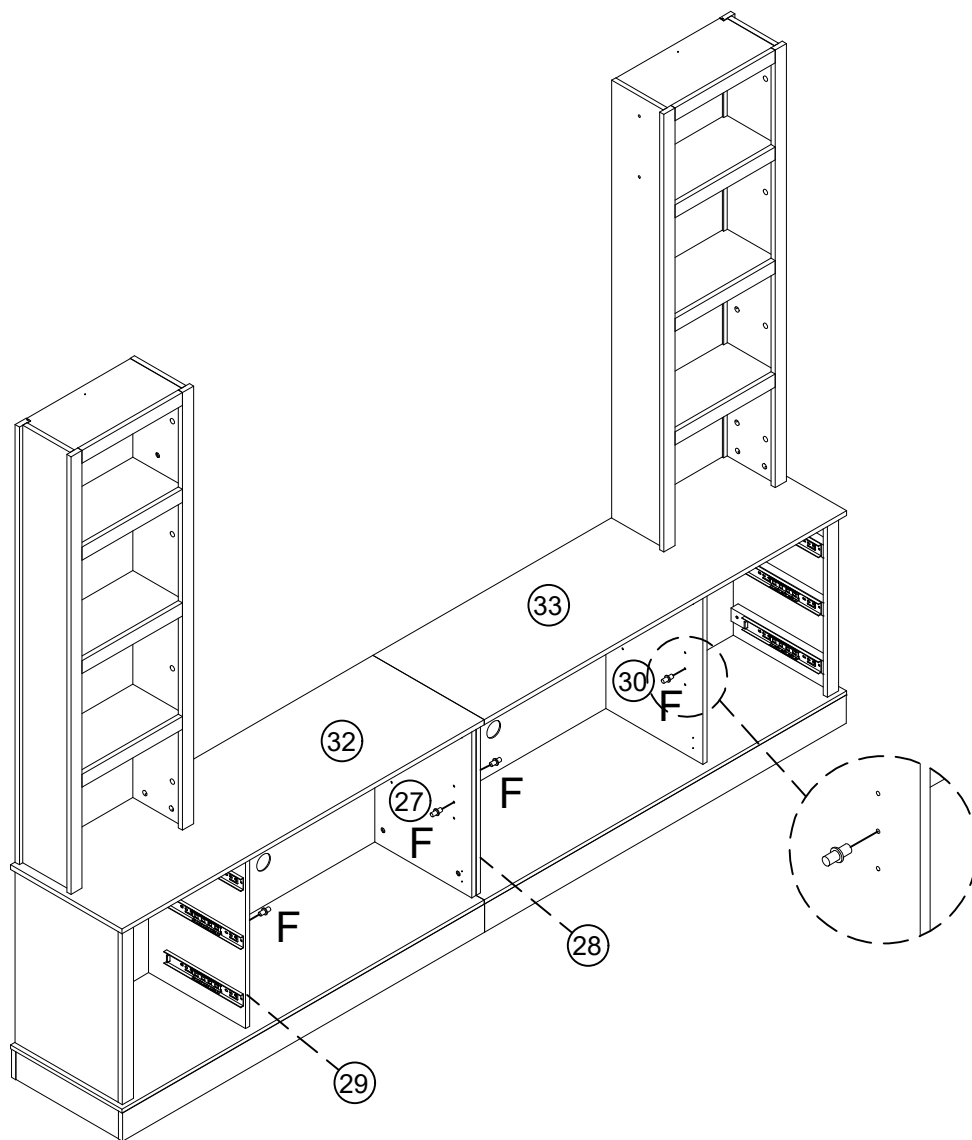
Be careful!
At least two people are required.



	A2x8PCS
	Bx8PCS

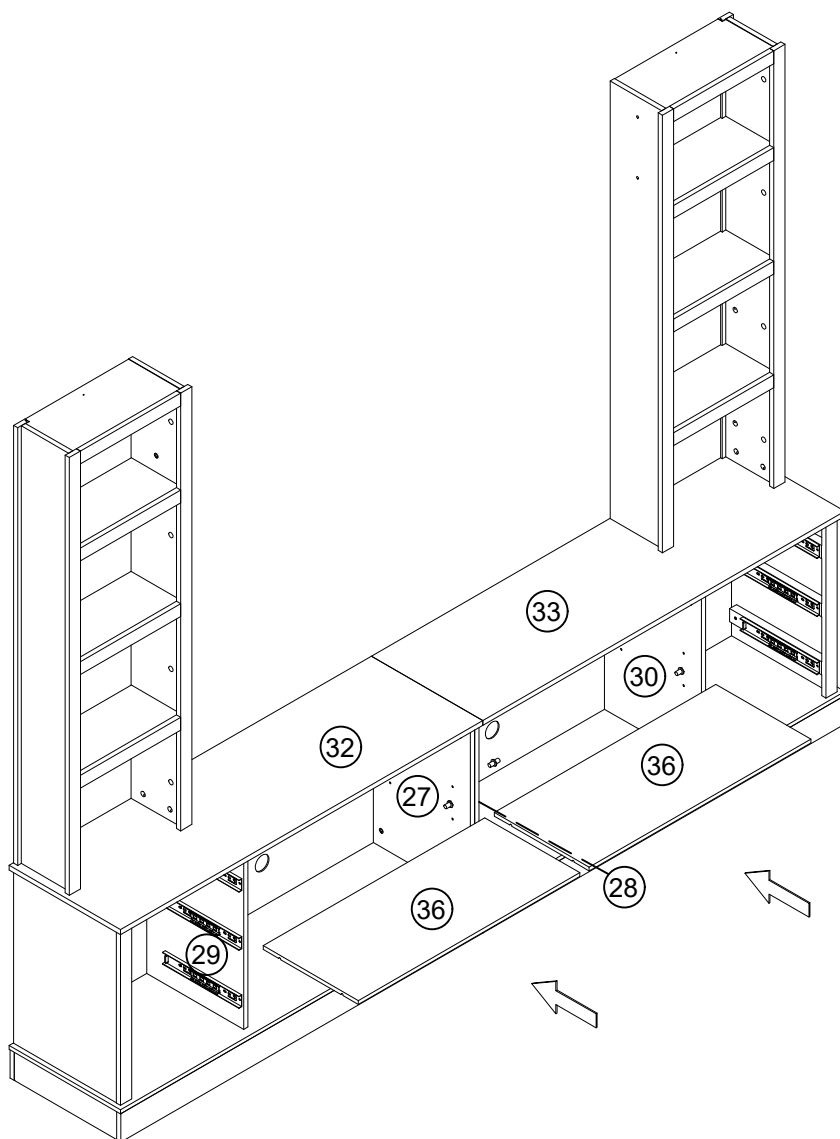


STEP49

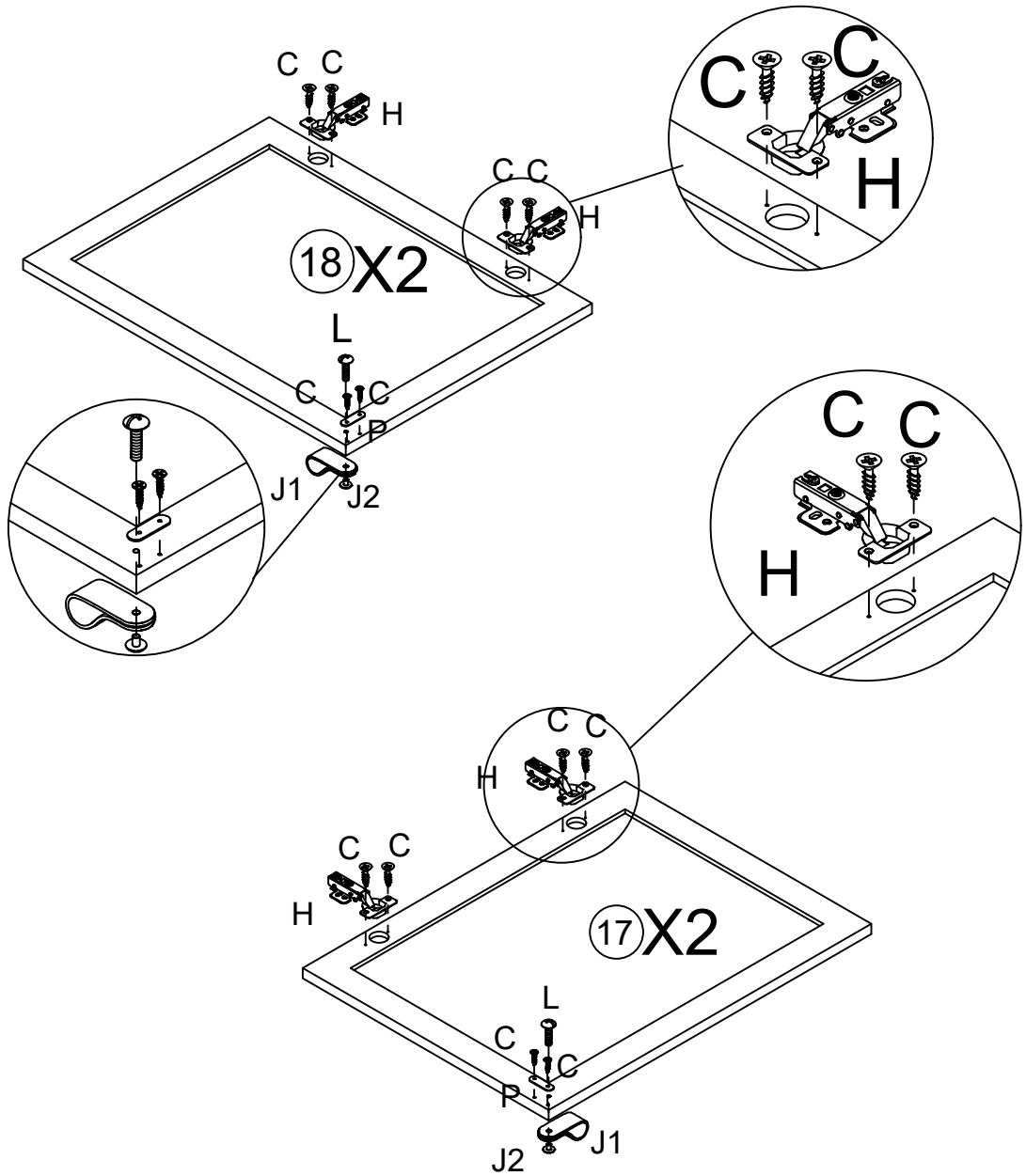




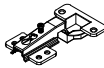



Fx8PCS

STEP50

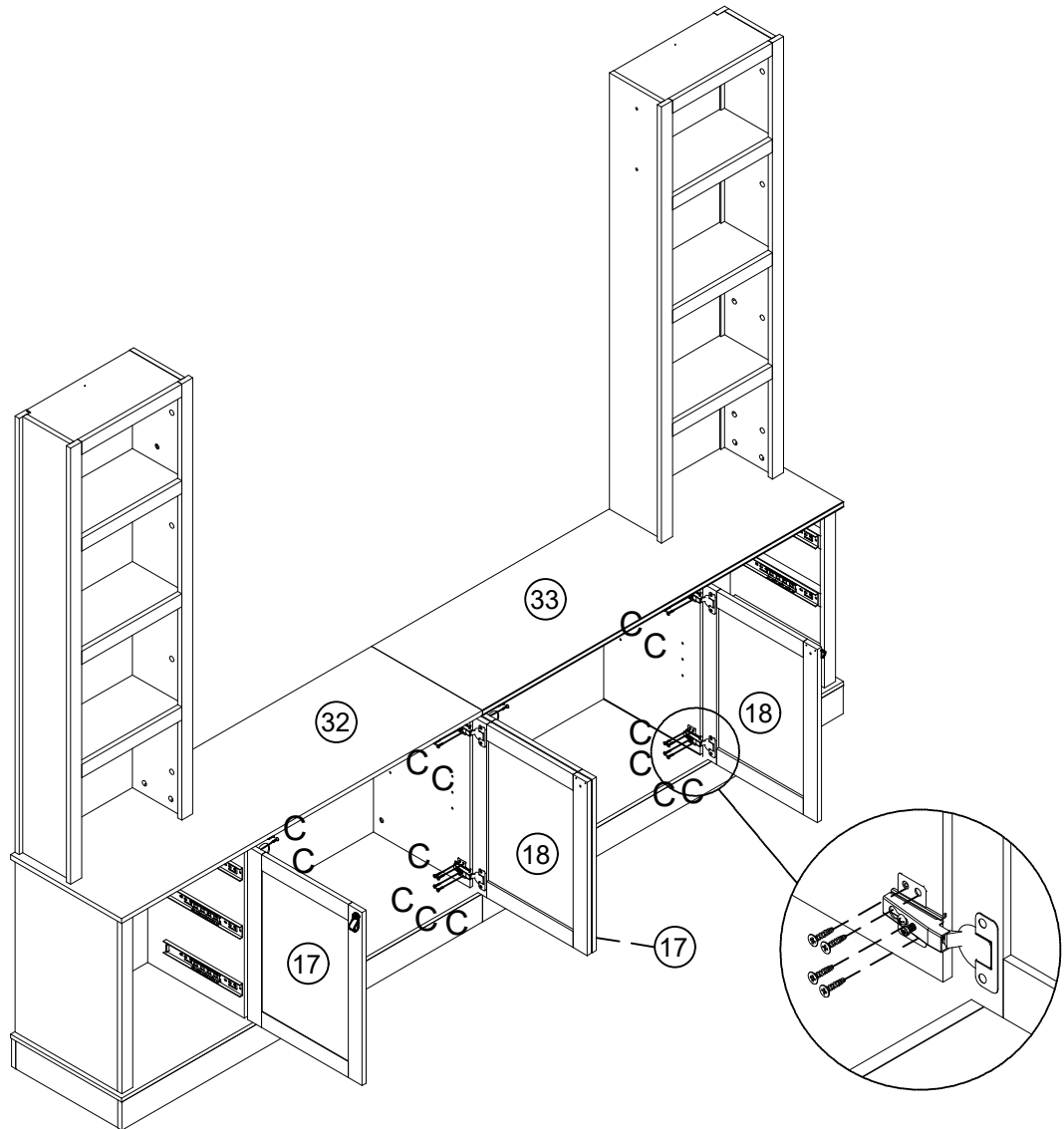


STEP51

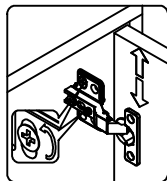


	Lx4PCS
	Px4PCS
	Hx8PCS
	J2x4PCS
	J1x4PCS
	Cx24PCS

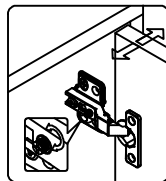
STEP52



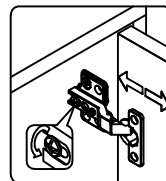
When the hinges are installed, you can refer to the pictures to adjust the screws of the doors till it's perfect



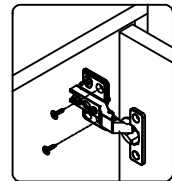
1. Adjust the screws shown in Figure 1 to adjust the door up and down.



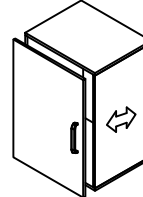
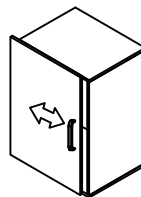
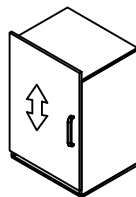
2. Adjust the screws shown in Figure 2 to adjust the door left and right to the right position.



3. Adjust the screws shown in Figure 3 and pull the door back and forth so that it can be opened smoothly.



4. After the adjustment is complete, install the remaining two screws to secure the door in place.

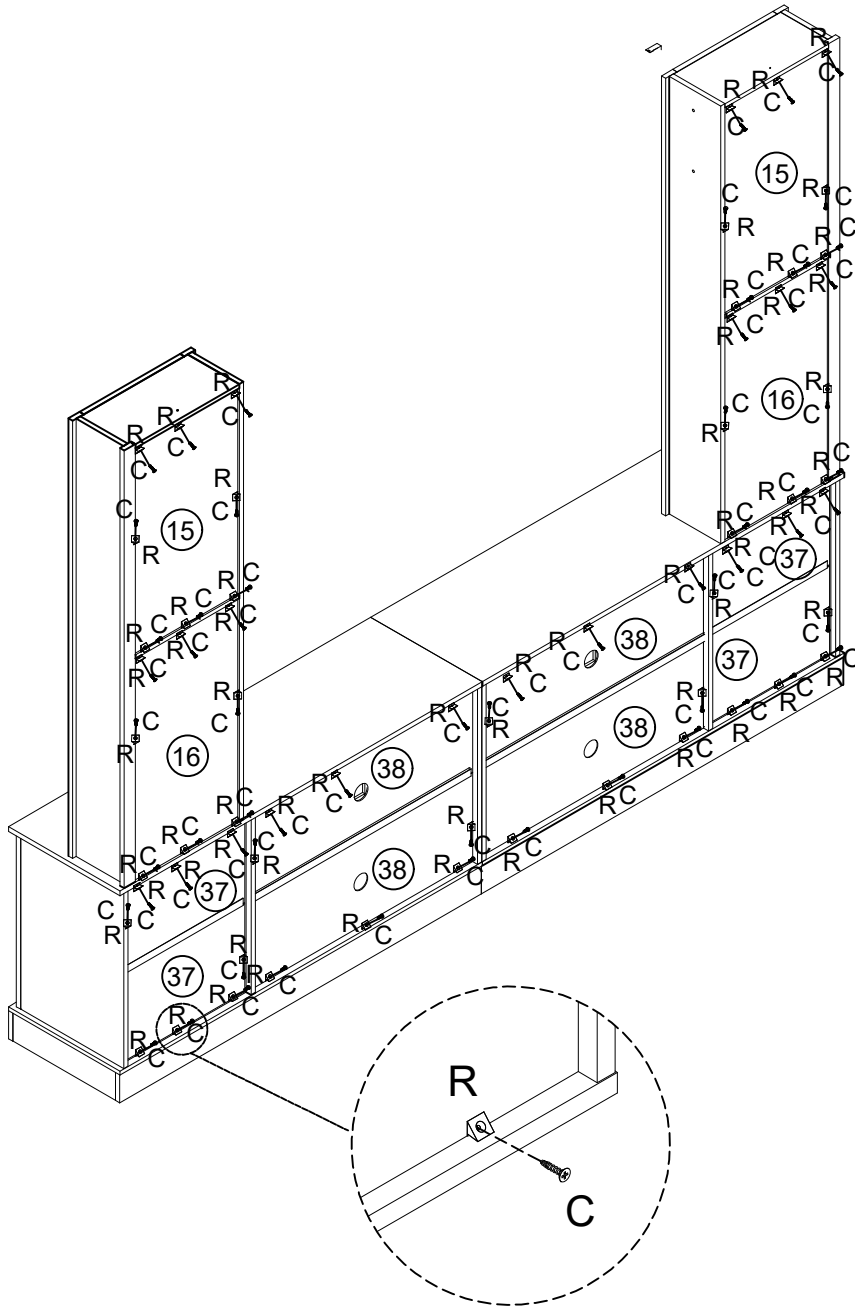




If there is an uneven gap between the door and the cabinet body, the problem can be solved by adjusting the hinge.



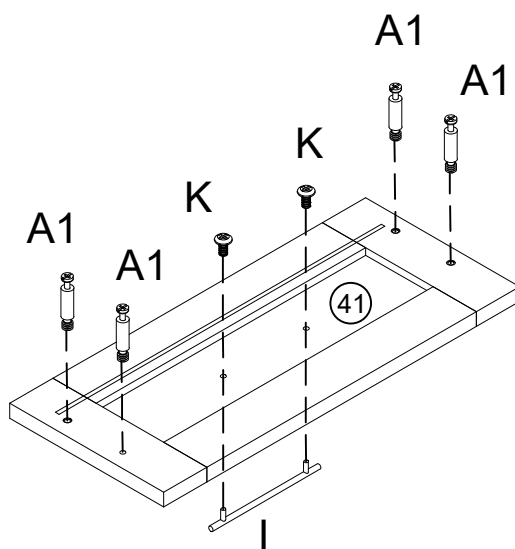
Cx32PCS

STEP53


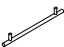



	Cx64PCS
	Rx64PCS

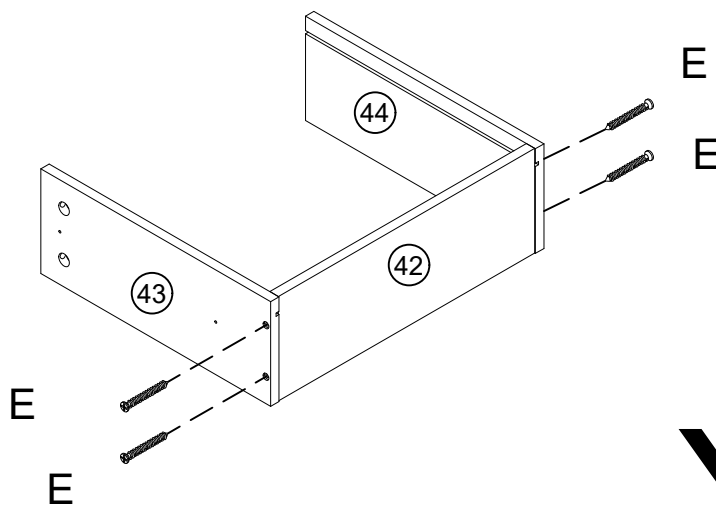
STEP54




X6

	Kx12PCS
	Ix6PCS
	A1x24PCS

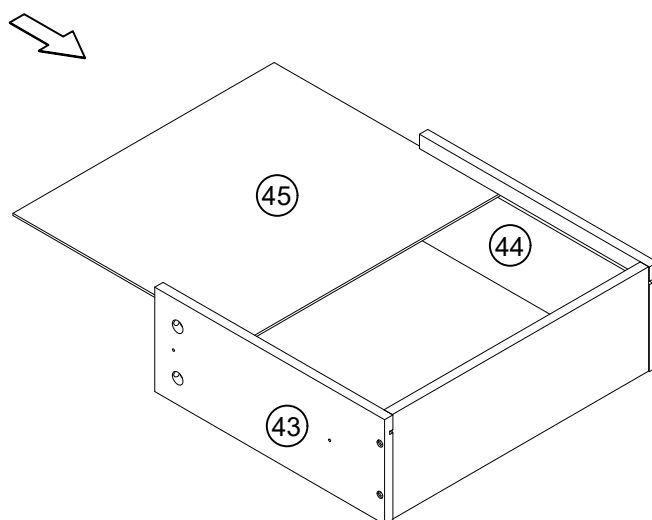
STEP55



X6

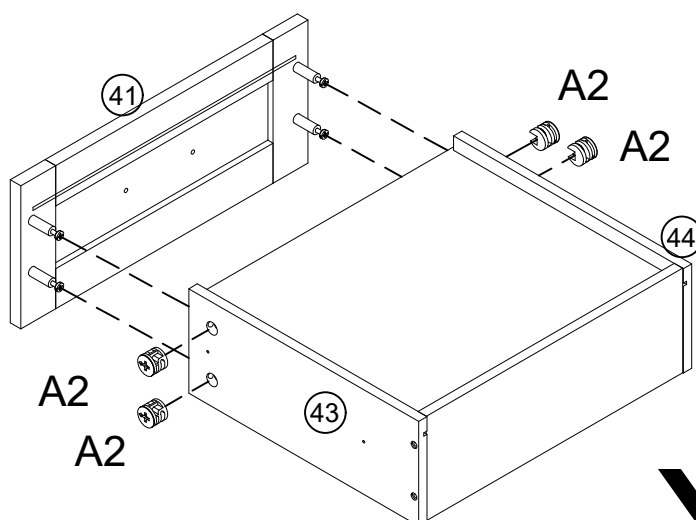
	Ex24PCS
---	---------

STEP56



X6

STEP57

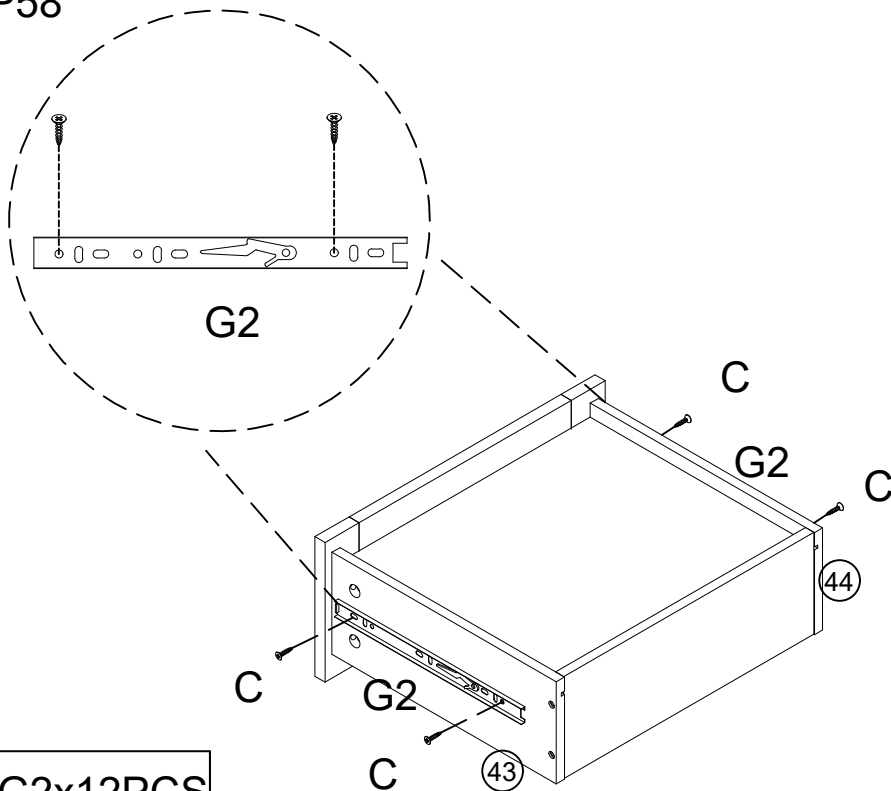


X6





A2x24PCS

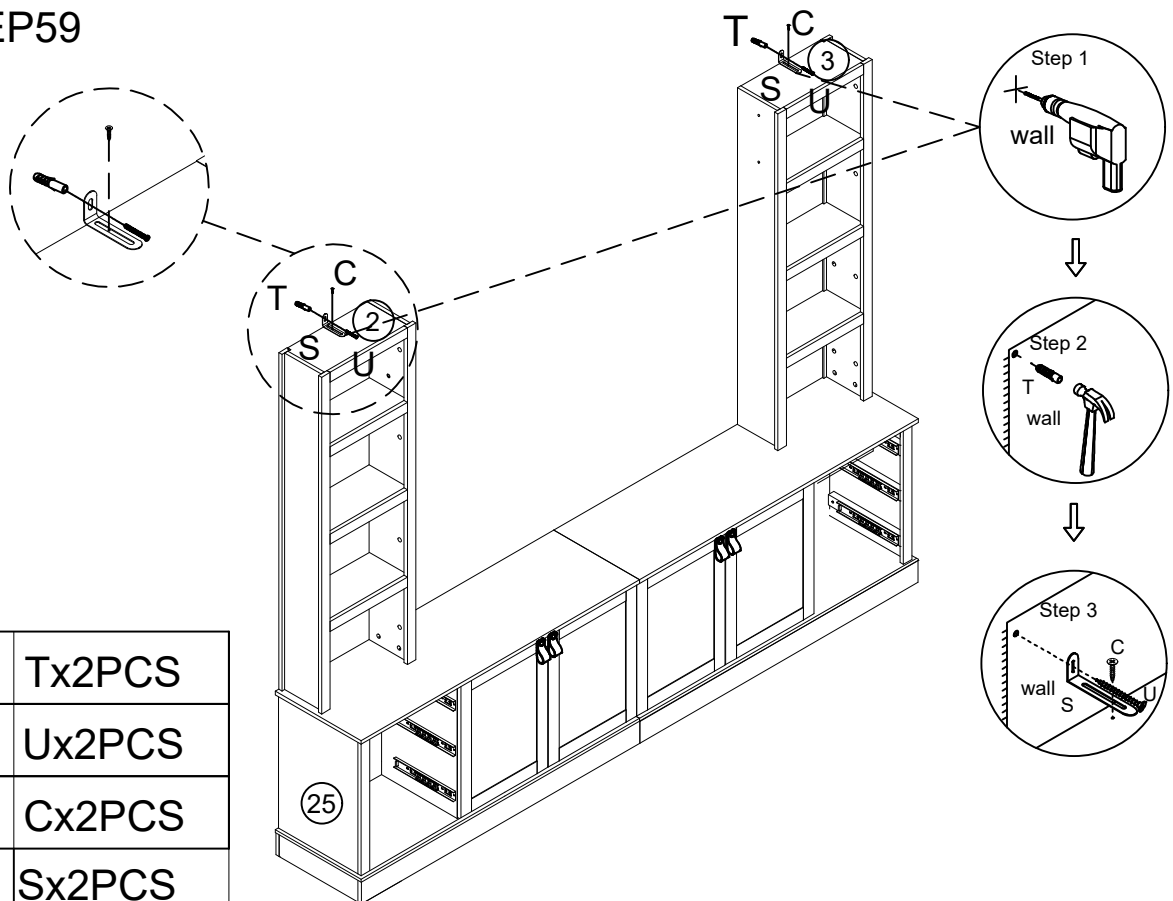
STEP58







X6

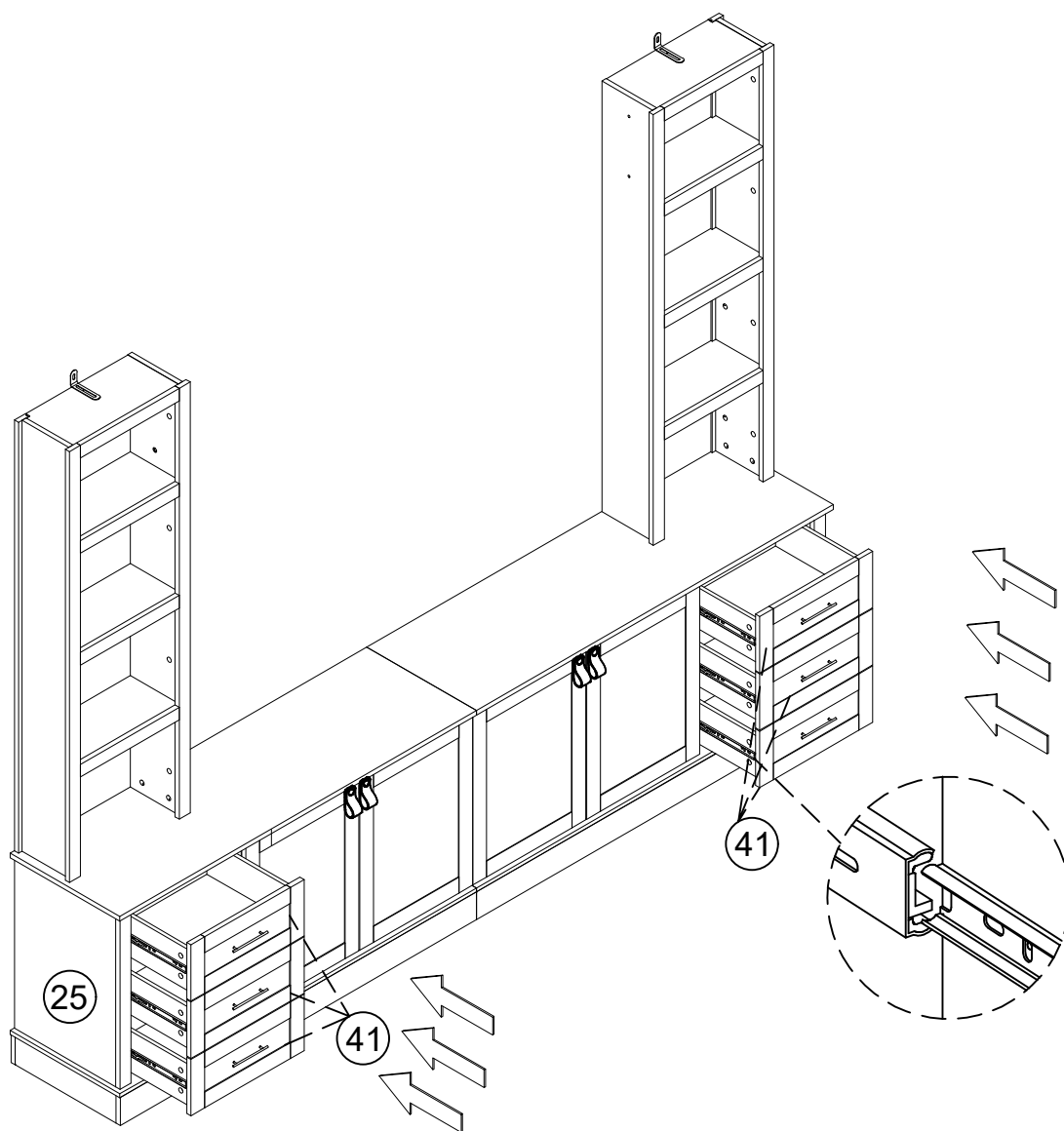
	G2x12PCS
	Cx24PCS

STEP59



	Tx2PCS
	Ux2PCS
	Cx2PCS
	Sx2PCS

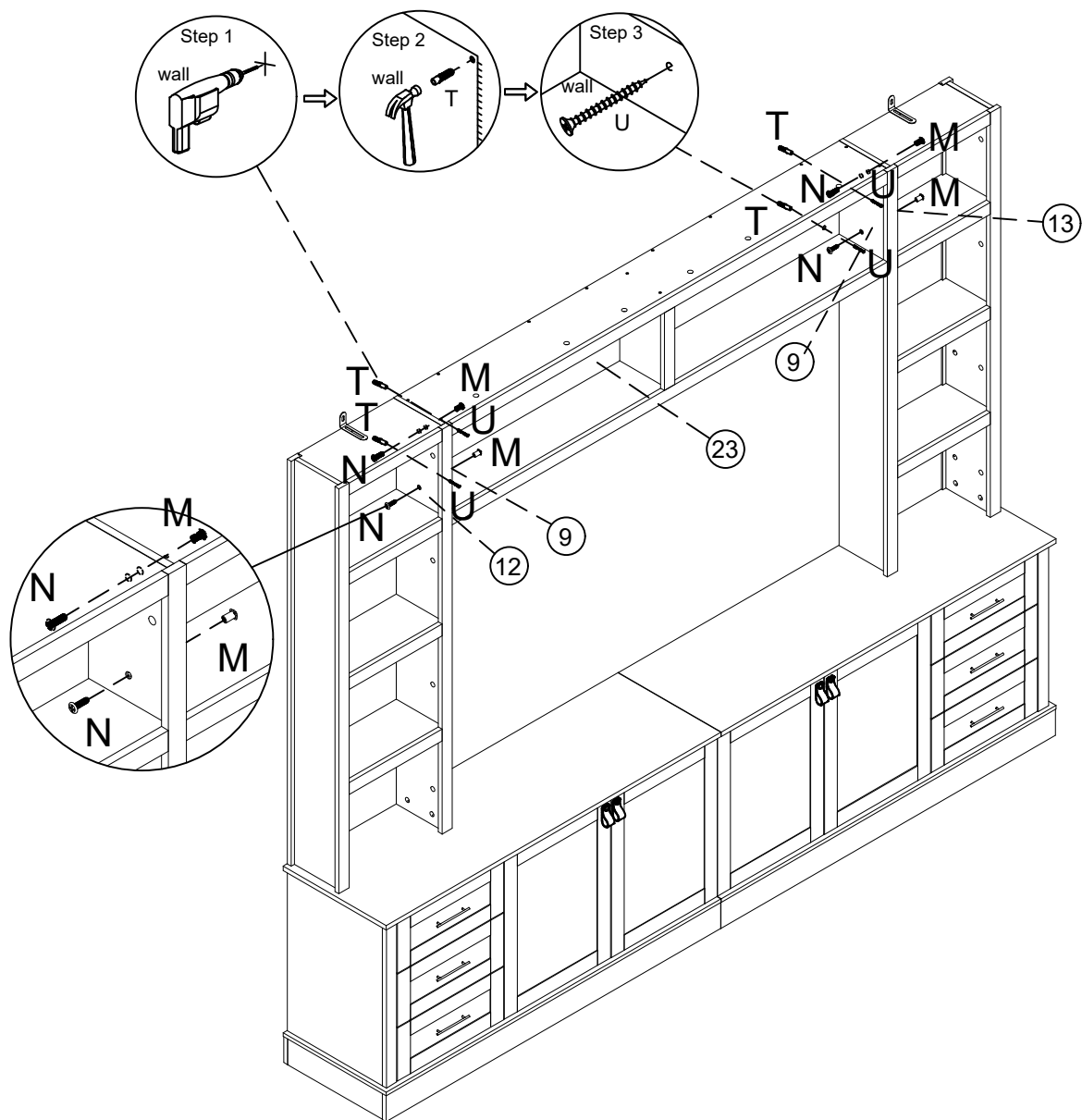
STEP60







STEP61

OPTIONS 1

There is 2 ways of installation.

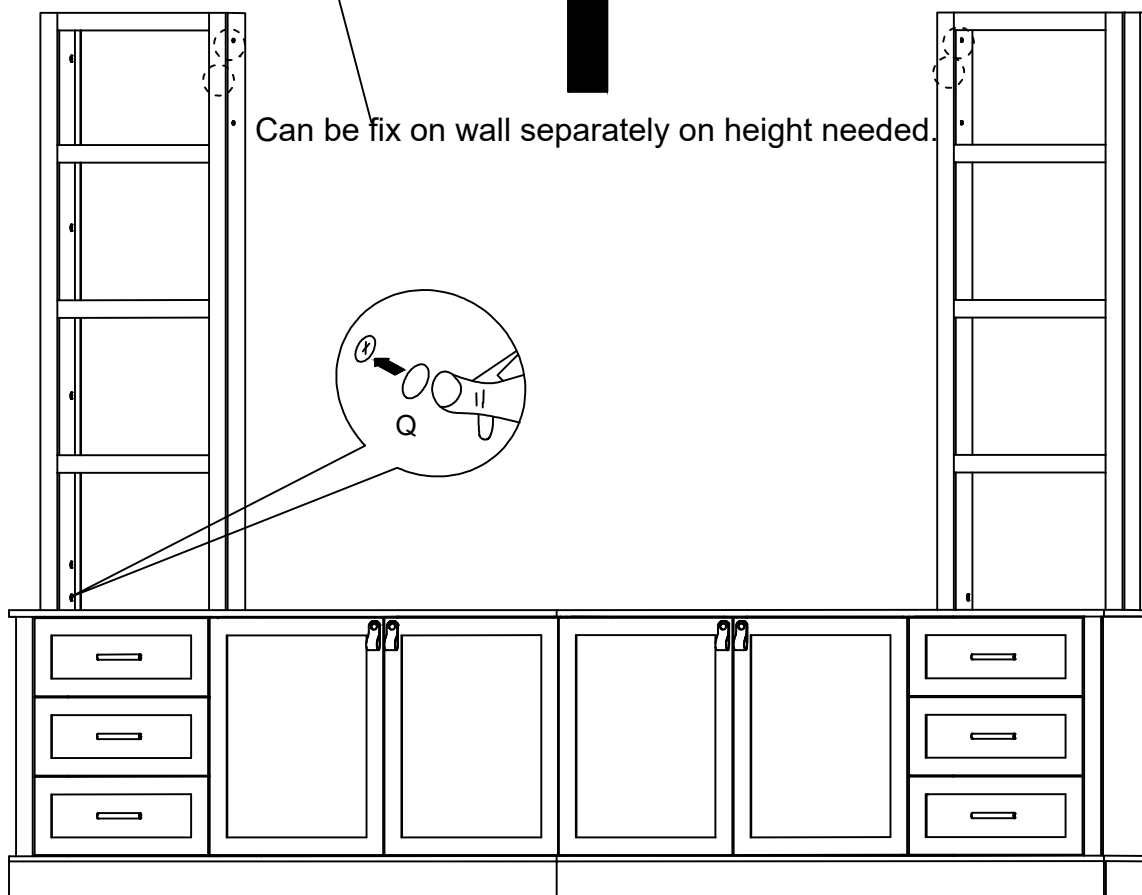
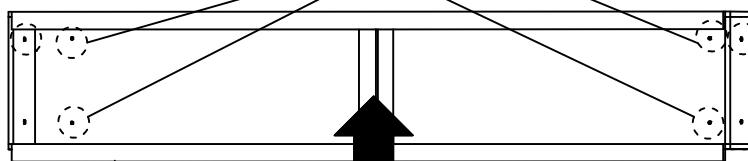
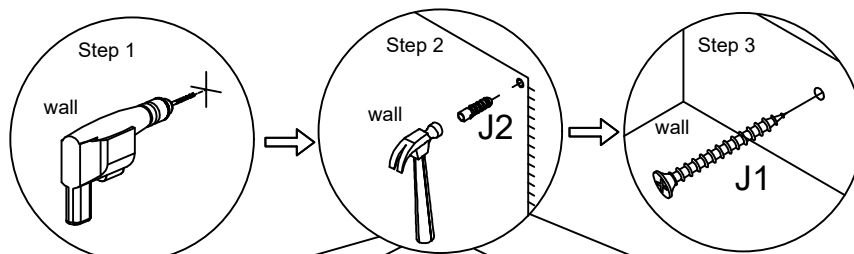





	Mx4PCS
	Nx4PCS
	Tx4PCS
	Ux4PCS

Be careful !
At least two people are required.

STEP62

OPTIONS 2



	Tx4PCS
	Ux4PCS
	Qx170PCS

Be careful!
At least two people are required.

STEP63

