

ASSEMBLY INSTRUCTIONS



BAR TABLE

ASSEMBLY INSTRUCTIONS

ASSEMBLY TIPS:

1. Remove hardware from box and sort by size.
2. Please check to see that all hardware and parts are present prior to start of assembly.
3. Please follow attached instructions in the same sequence as numbered to assure fast & easy assembly.

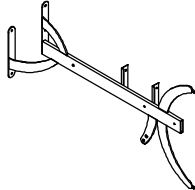
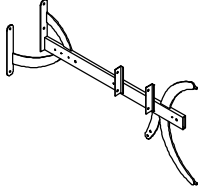
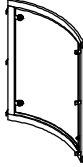
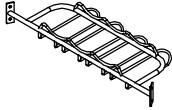
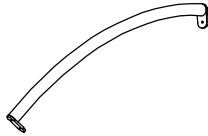



WARNING!

1. Don't attempt to repair or modify parts that are broken or defective. Please contact the store immediately.
2. This product is for home use only and not intended for commercial establishments.

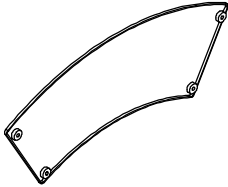
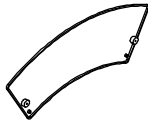
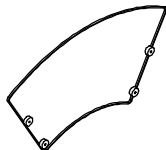
ASSEMBLY TIME 60 MINUTES

PARTS IDENTIFICATION




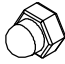
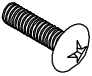







A	LEFT LEG		1PC
B	RIGHT LEG		1PC
C	FRONT FRAME		1PC
D	HANGER BRACKET		1PC
E	BOTTOM SUPPORT		1PC
F	BOTTOM GLASS SUPPORT		2PCS

ASSEMBLY INSTRUCTIONS

PARTS IDENTIFICATION

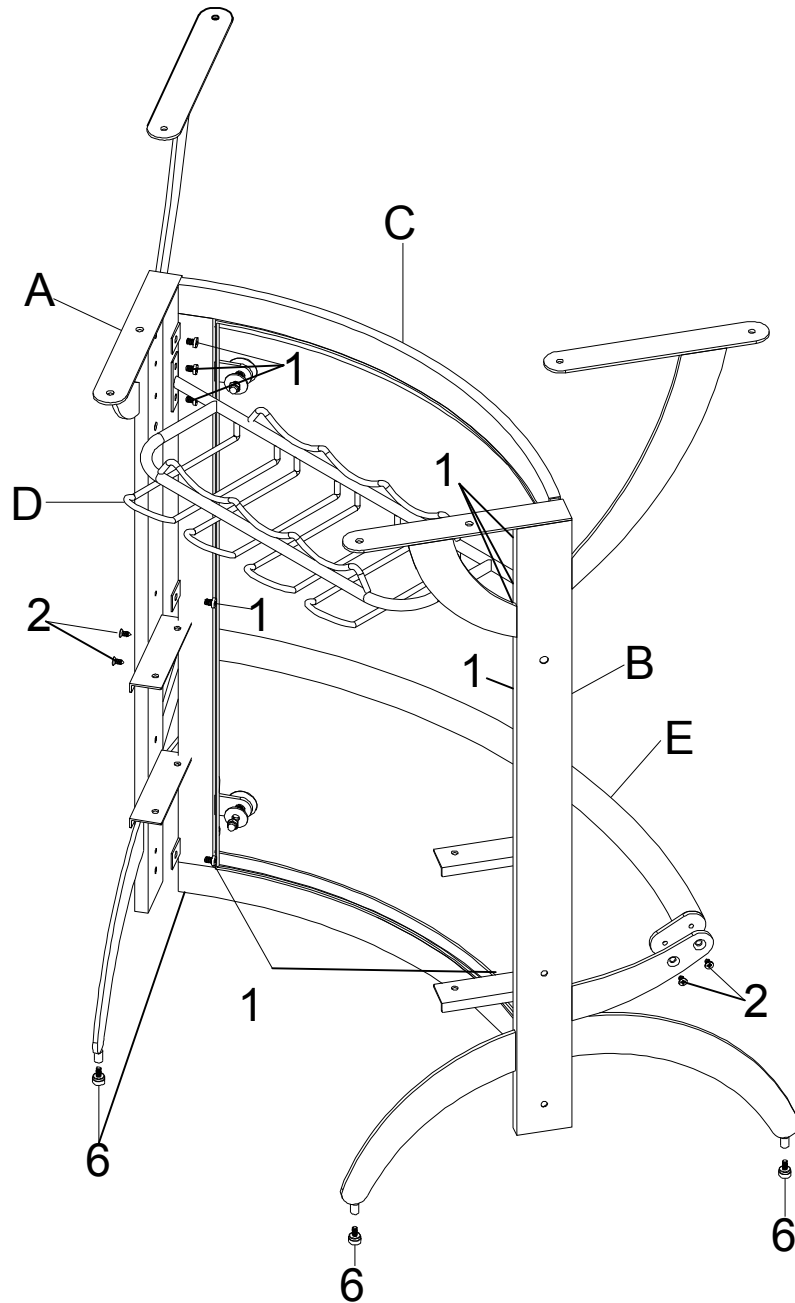
G	TOP GLASS		1PC
H	BOTTOM GLASS		2PCS
I	SHELF GLASS		1PC

HARDWARE IDENTIFICATION

1	ALLEN BOLT-MEDIUM (1/4" x 8mm BLK)		22PCS	7	ALLEN BOLT-LARGE (1/4" x 38mm BLK)		3PCS
2	ALLEN BOLT-SMALL (1/4" x 9mm BLK)		4PCS	8	NUT (1/4" BLK)		3PCS
3	BOLT (3/16" x 12mm BLK)		4PCS	9	WASHER (ø16mm BLK)		3PCS
4	THICKNESS WASHER (ø15mm)		4PCS	10	PLASTIC WASHER (ø26mm)		3PCS
5	SUCTION CUP (6mm)		4PCS	11	ALLEN WRENCH (4mm)		1PC
6	FLOOR LEVELER (1/4" x 6mm BLK)		4PCS	12	HEXAGONAL KEY (1/4")		1PC

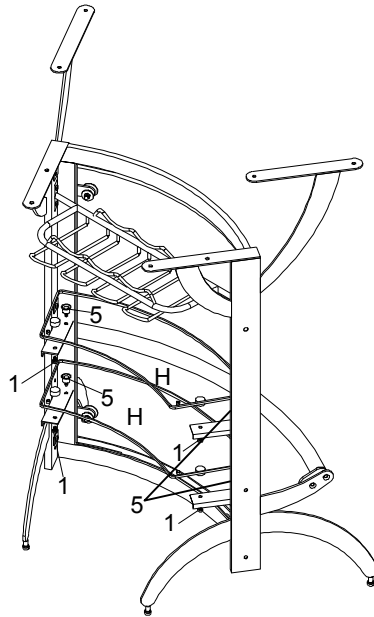
ASSEMBLY INSTRUCTIONS

STEP 1 Do not tighten until each step is completed or instructed.

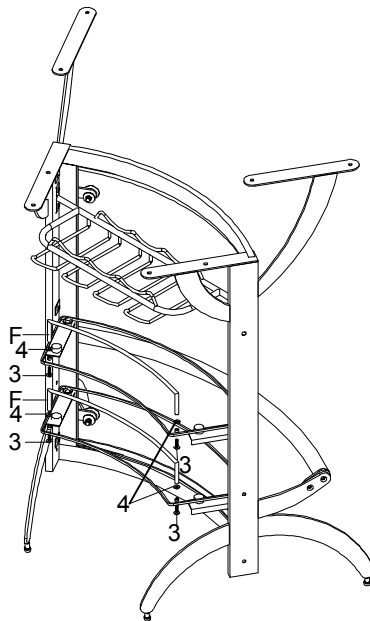


ASSEMBLY INSTRUCTIONS

STEP 2

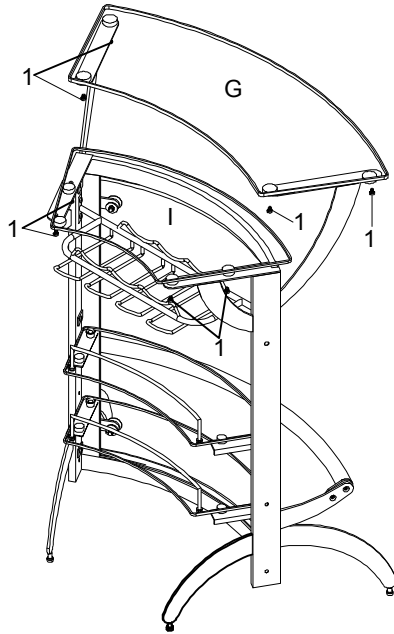


STEP 3



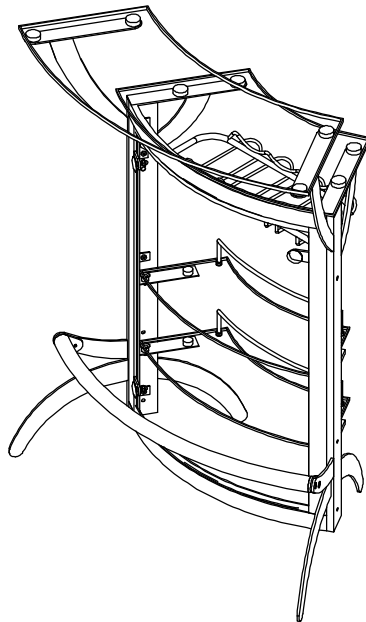
ASSEMBLY INSTRUCTIONS

STEP 4



STEP 5

COMPLETE



ASSEMBLY INSTRUCTIONS

STEP 6

