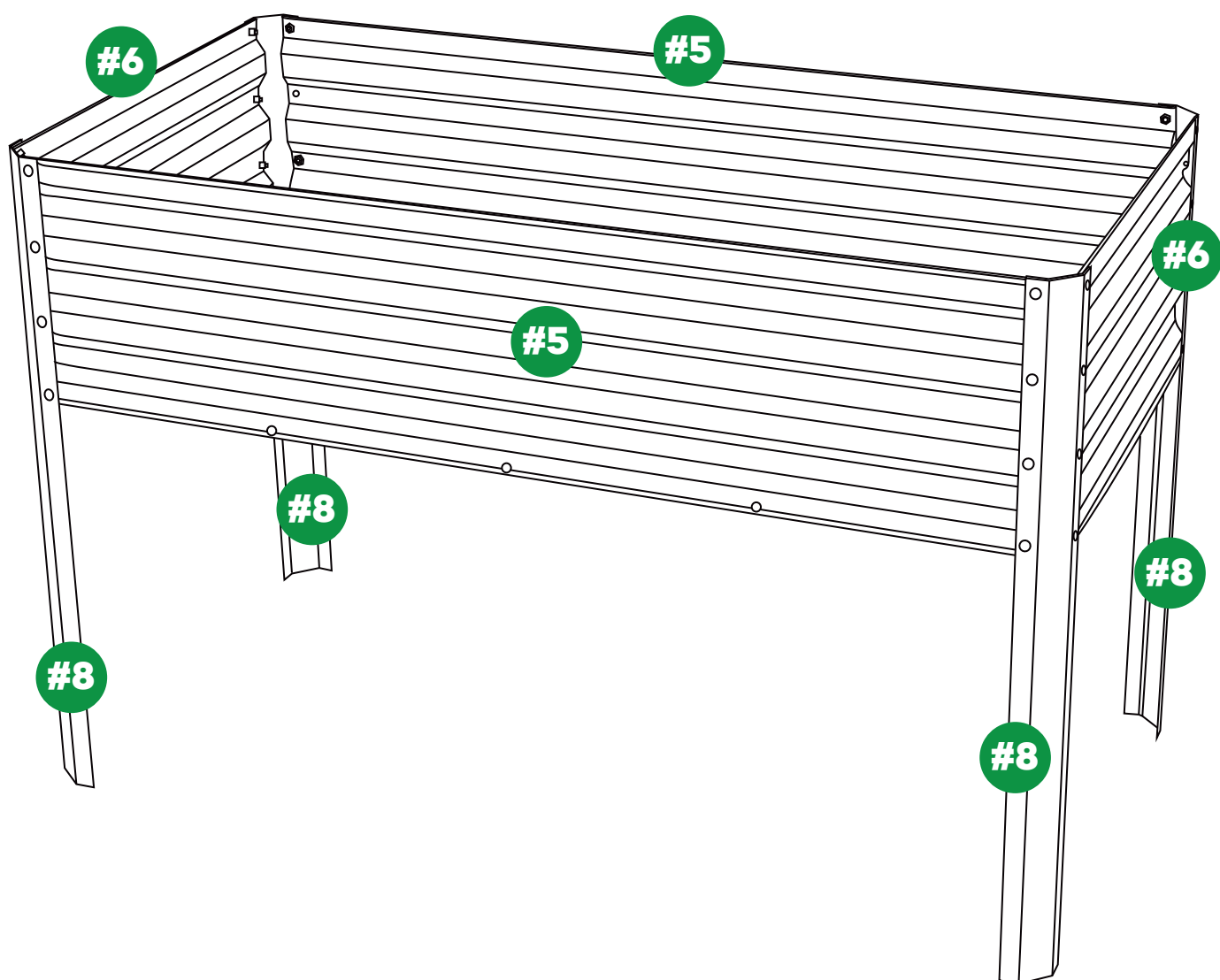


47.2X22.8"X31.5"



PARTS LIST

Part#	Part Image	Description	QTY
#4		22.44" Pole	5
#5		45.27" Long Metal Sheet	2
#6		20.87" Short Metal Sheet	2
#7		46.65" Bottom Plate Sheet	2
#8		31.5" Corner Leg Sheet	4
#9		Installation Kit (Screw*38, Nut*28, Glove*1 Pair)	1 Pack
#10		Weed Barrier	1
#13		Rubber Edging	1

Installation Instruction

Step1

Inverted corner leg sheet (four screw holes facing down) and use screws to install the short iron sheet and corner leg sheet.

- Note that the side with the rolled edge of short metal sheet(#6) needs to be installed outward.
The corner leg sheet(#8) needs to be installed at the both sides of short metal sheet.



This side must be installed outward.

Step2

Install the long metal sheets. Note that the side with the rolled edge of long metal sheets(#5) needs to be installed outward.

- The edge of the long metal sheet with five holes is facing up.
- In the inverted state, do not install the screw in the first position. Install only the second, third, and fourth screws.

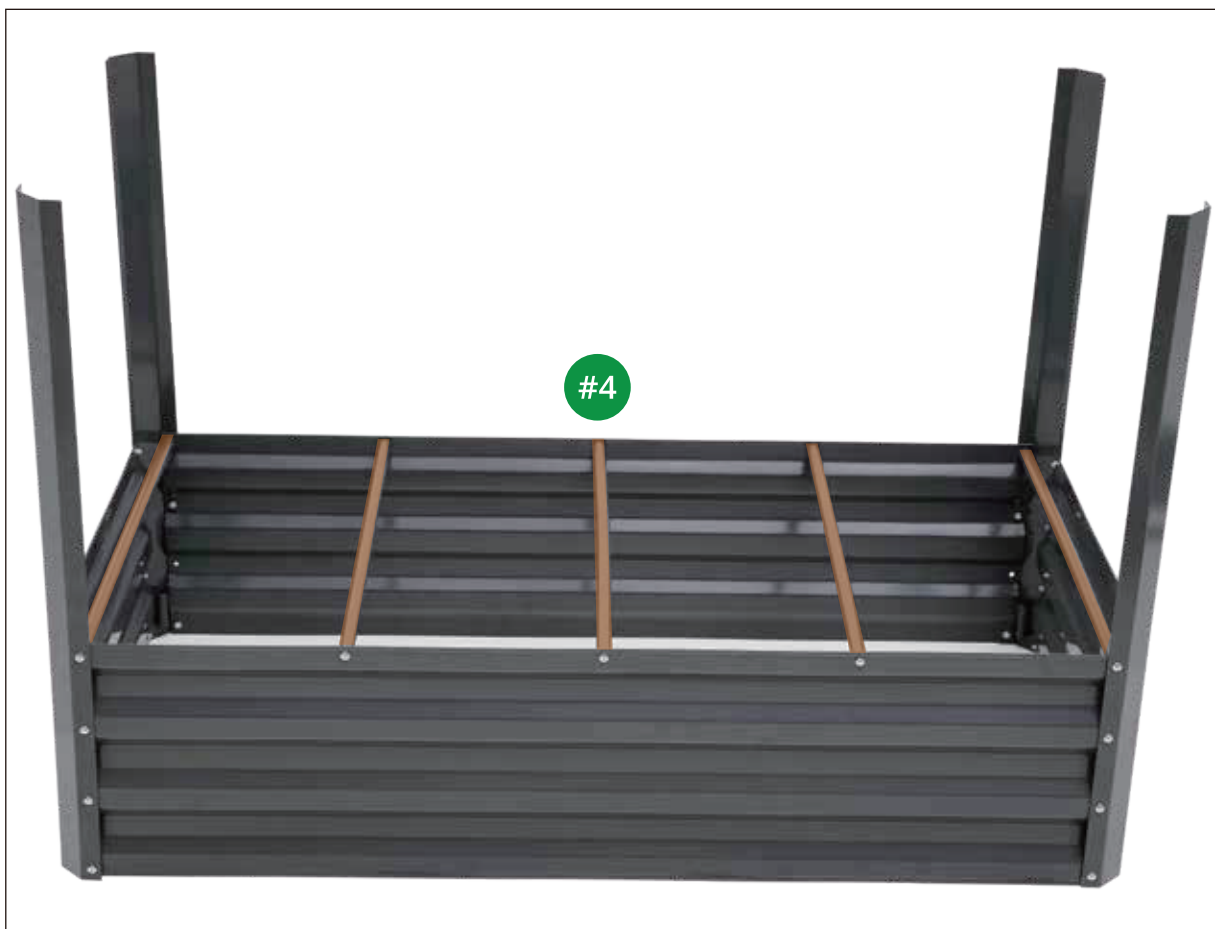


Do not install the first screw hole.

Step3

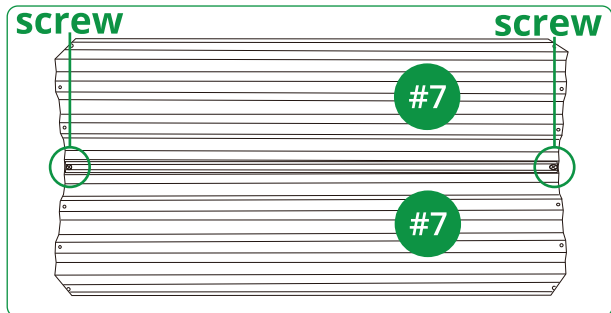
Install supporting pole(#4).

Align the holes in the long iron sheet and use the screw to install the poles(#4).



Step4

Flip the installed flower bed and put bottom plate sheet (#7) in it. The side with the rolled edge of the bottom plate needs to face down.



Step5

Setup the rubber edging

A small strip is included in the fitting, which you can cut by yourself and install it at the corner leg sheet.

