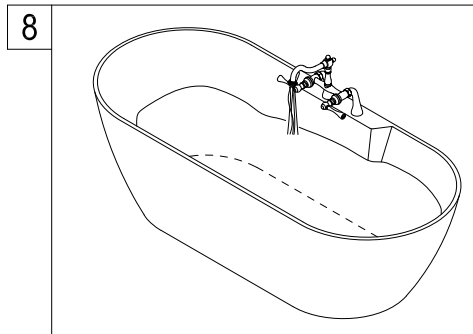
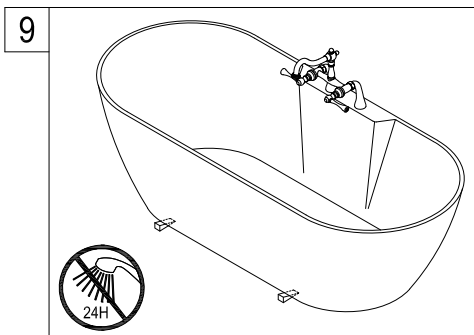


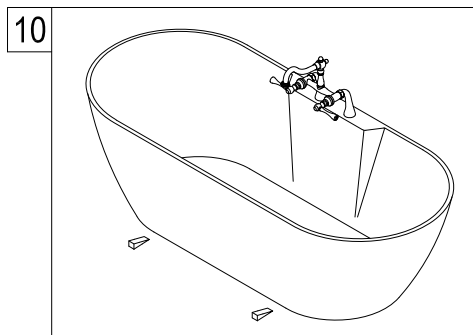
7. Place 2 pieces of lumber, long enough to span the width of the tub at the location where the tub will be installed and place tub on top of the lumber support rails.



8. After applying Teflon tape connect the flexible supply lines to the stop valves, close the drain on the tub let the water flow into the tub, sufficient to cover the drain, allow the water stand for 30 minutes, check for leaks on the faucet connections as well as the drain



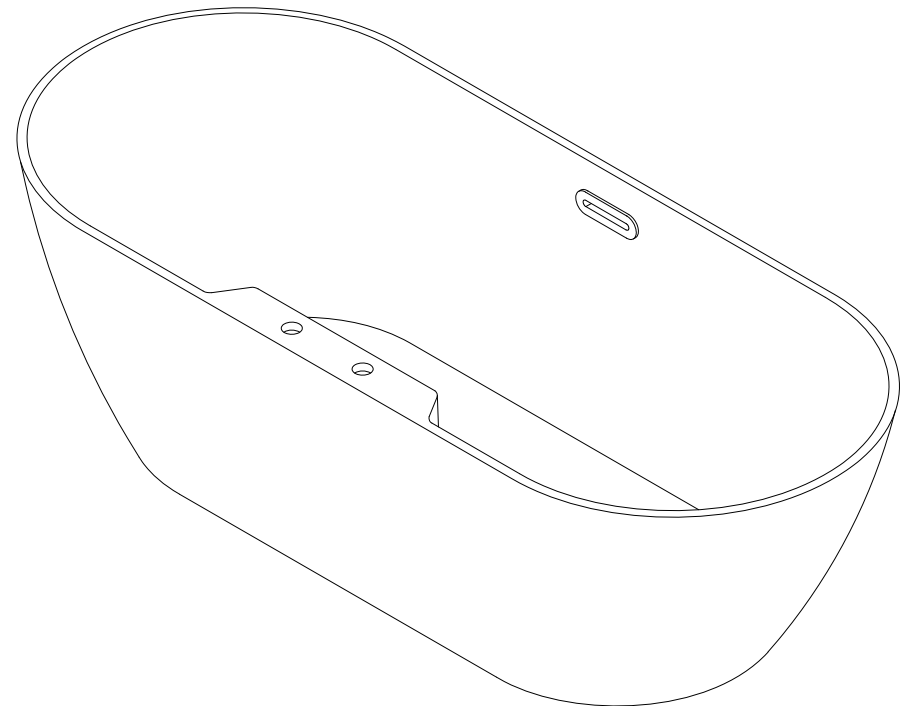
9. It is recommended that the bottom of the tub be additionally supported by a mortar bed of Structolite or similar light weight mortar, slowly lower the tub by removing the 2 lumber support rails, and support on shims around the perimeter of the tub, make sure to level tub at this point, once you are satisfied that tub is leveled, lift tub slightly, Apply ABS glue on outside of the drain stub-out and lower the tub again, there must not be any flexing or movement of the tub once installed, let mortar dry for at least 24 hours.



10. Remove support shims, clean any excess mortar that may have seeped out and apply caulking around the perimeter as needed, clean excess caulking.

# Aqua Eden

ELEMENTS OF DISTINCTIVE STYLE



www.kingstonbrass.com  
 TOLL-FREE CUSTOMER SERVICE: 1-877-2-KBRASS  
 TECHNICAL SUPPORT E-mail: service@kingstonbrass.com  
 12775 Reservoir Street, Chino, CA 91710

# Aqua Eden

ELEMENTS OF DISTINCTIVE STYLE

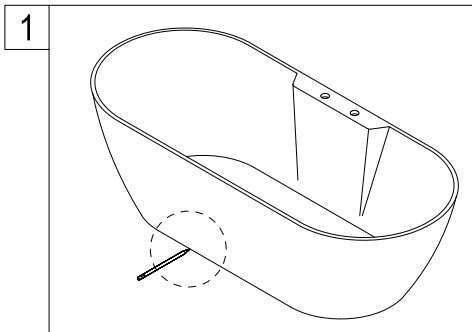
## INSTALLATION INSTRUCTIONS Acrylic Tub with or without Drain

### Important :

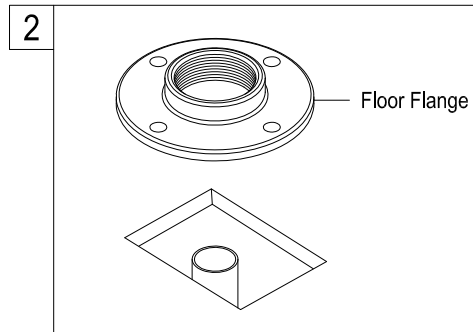
Before you begin Installation please read the following instructions, observe all local plumbing and building codes.

- Check area where tub will be installed to ensure that it is leveled and structurally sound.
- Please unwrap the tub and check it carefully for any damage that may have occurred during transportation.
- Check that all parts are included.
- If you have any missing parts, damage is found or have any questions regarding the installation process contact customer service at (877)-252-7277.
- Store bathtub in a safe place until you begin installation to avoid damage to the tub's surface.
- No claims for damages or blemishes will be accepted once the tub has been installed.
- We recommend that the installation of this tub be done by a qualified licensed professional.
- Because of its weight and volume we recommend that the installation of this tub be done with the help of at least one other person, a fall even what may seem like a minor one may result in cracking of the tub, moving straps and rubber gripped gloves are recommended.
- These Installation instructions do not include details of waste connections, the final details should be determined by your contractor.
- Make sure to have the tub faucet on-site as it needs to be installed on the tub prior to installing the tub in the desired location.

### Installation Instructions:

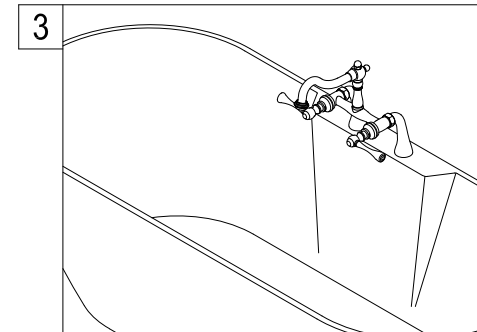
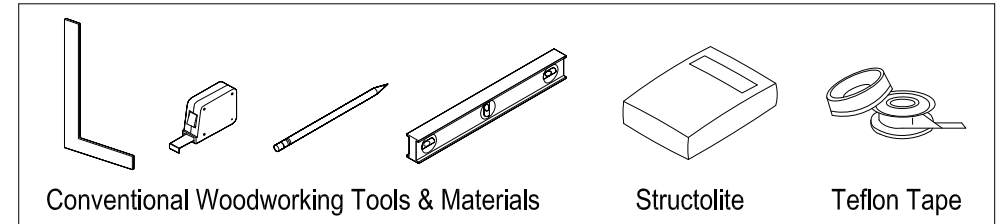


1. Position the tub at the desired location, with a pencil mark the perimeter of the tub, also mark the location of where the tub drain will be situated, remove tub and place on a blanket or piece of cardboard.

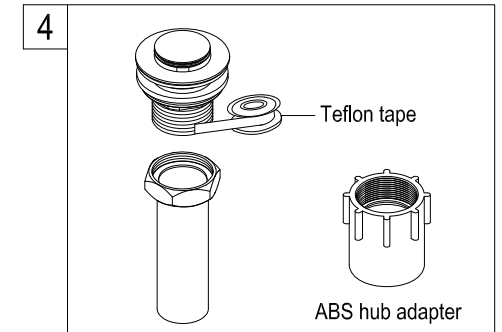


2. Prepare waste drain stub-out at the location where the tub drain was marked. Fasten floor flange at the drain location, this will reinforce the drain and prevent possible leaks in case of lateral impact.

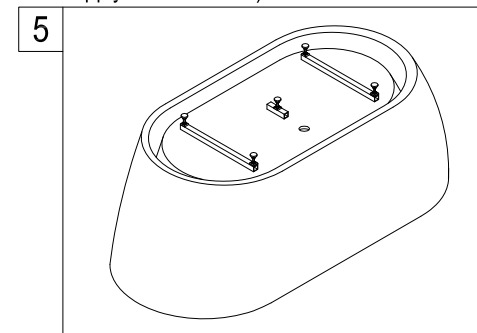
### Need Tools:



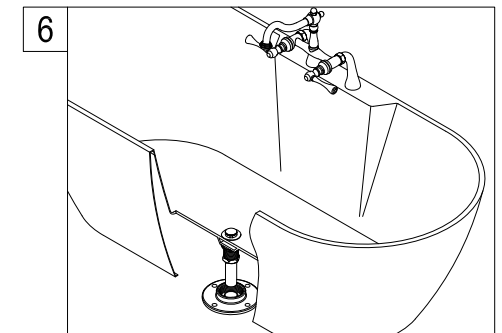
3. Rough in cold and hot water supply lines and stop valves under the tub. Install the faucet on the tub and attach the flexible supply lines.  
(Faucet & supply line are not included with this tub product. Deck mount faucet and supply line are extra.)



4. Apply Teflon tape or pipe dope on drain threads and thread ABS hub adapter, if you are installing the tub in an area where you have access from below the floor then thread the included drain piece.



5. Adjust feet so that they project 1/8" below the tub, the weight of the tub should be supported by the feet and not the tub walls.



6. Measure the height of the drain hub in relation to the stub-out and cut drain line so that the drain line can be inserted into the drain hub between 1/2" and 5/8".

### Cleaning

Clean with a damp cloth only.  
Avoid using metal or abrasive polishes.