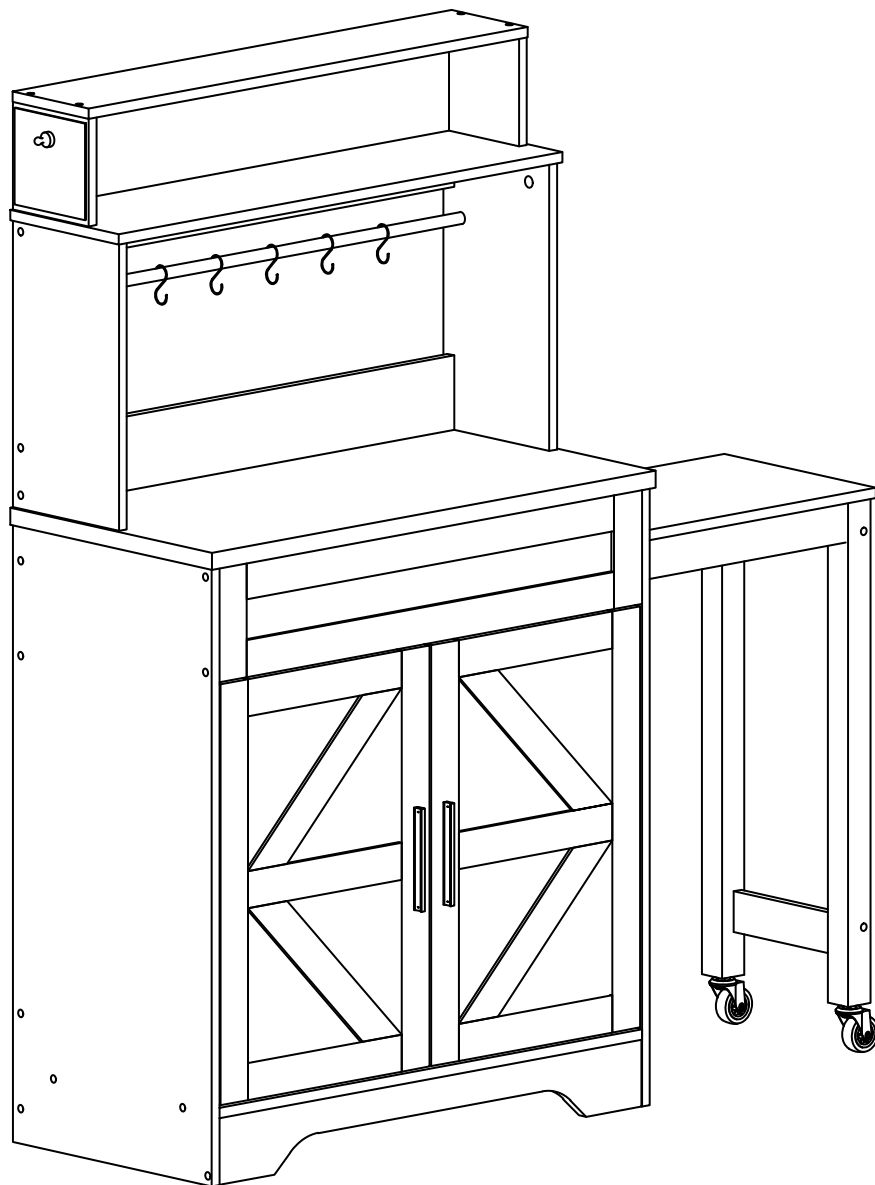


# Installation & Assembly



Please don't tighten the screws completely and go back later for a final tightening of all the screws after pieces are aligned with each other.

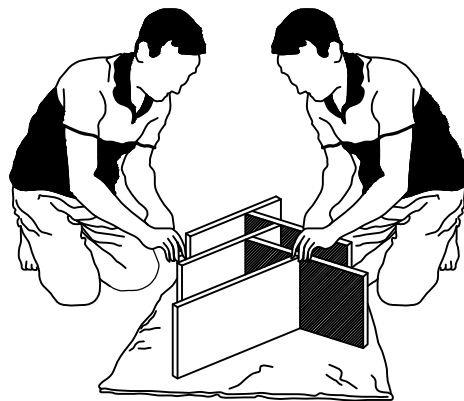
**CATALOG:**

**Part List**.....3-5.  
**Accessories List**.....6-7.  
**Assemble**.....8-26.

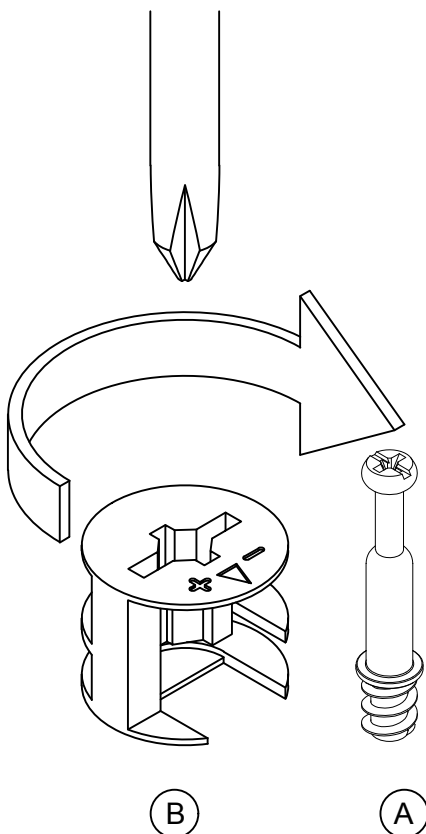
**Foreword:**

Thank you for choosing our product! We hope you have a good shopping experience!

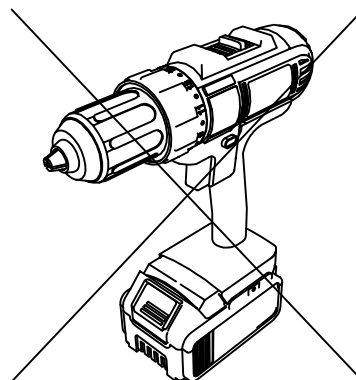
We aim to provide a 100% satisfaction product and customer service.



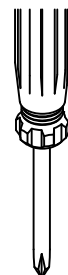
Requires 2 people to assemble  
the product more easily



Only slight turn of cams required.  
Do **NOT** overturn.

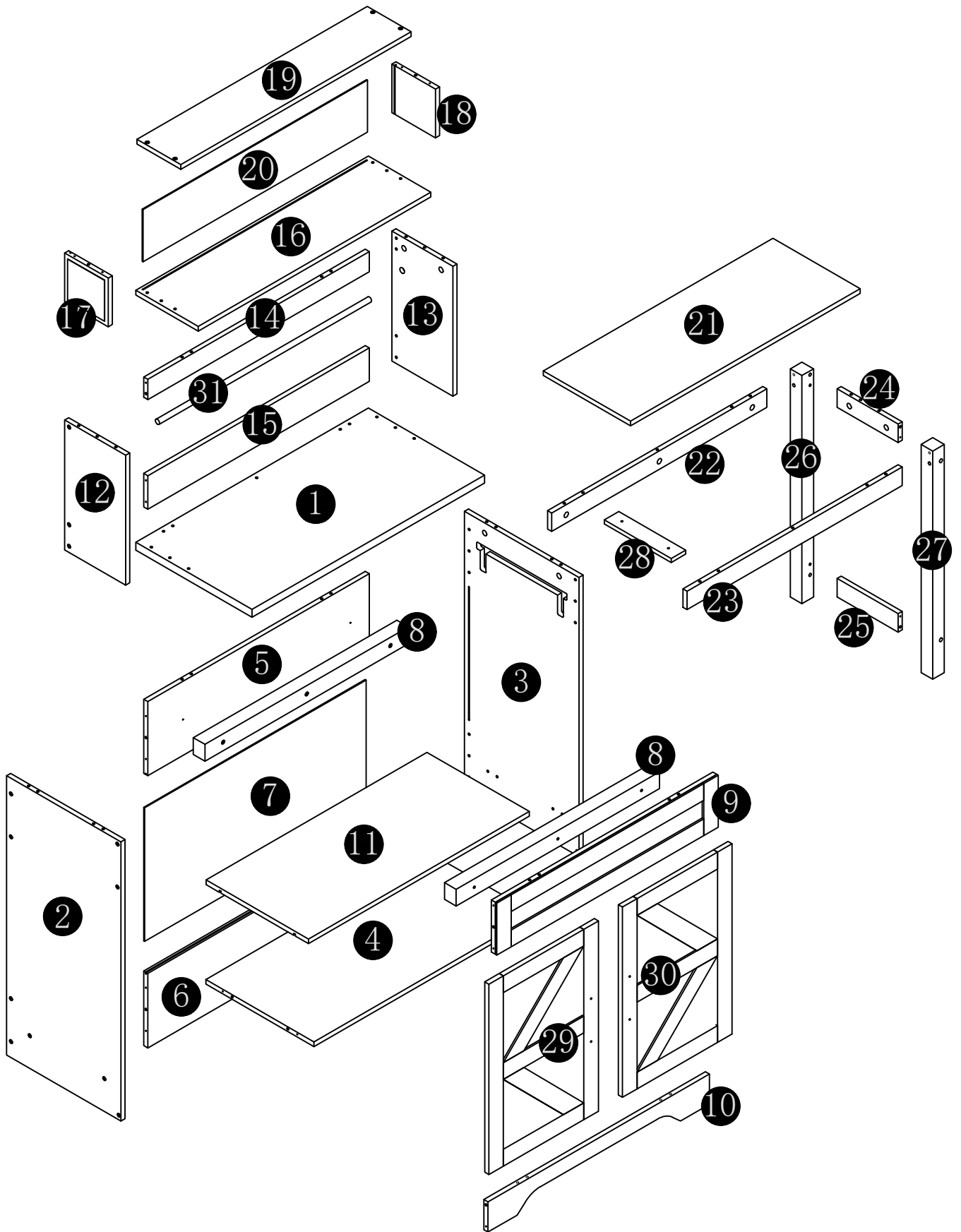


\*Power Tool **NOT**  
Recommended for **A-B** hardware  
assembly

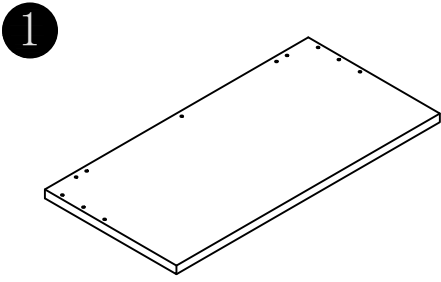


**TOOL REQUIRED**  
Phillips Screwdriver

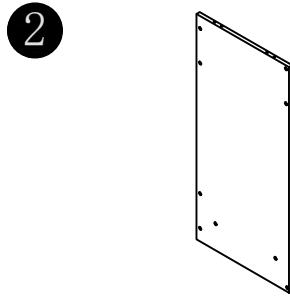
# PARTS LIST



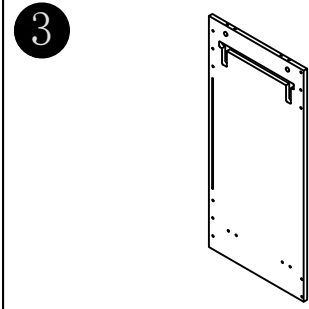
# PARTS LIST



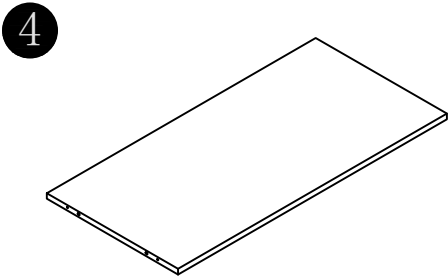
1PC



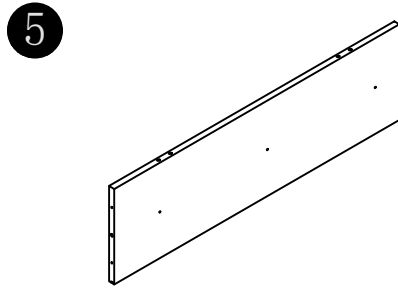
1PC



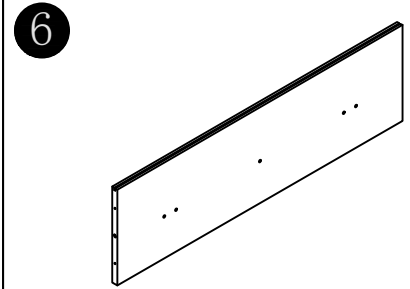
1PC



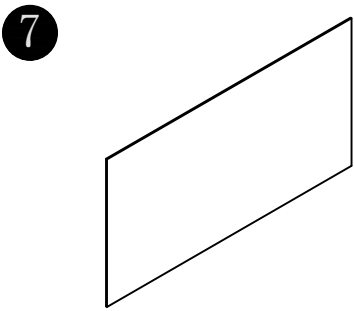
1PC



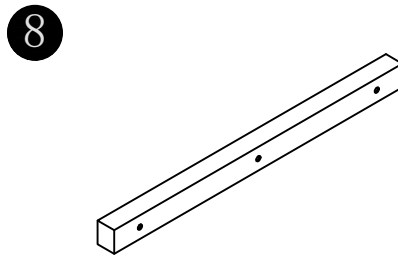
1PC



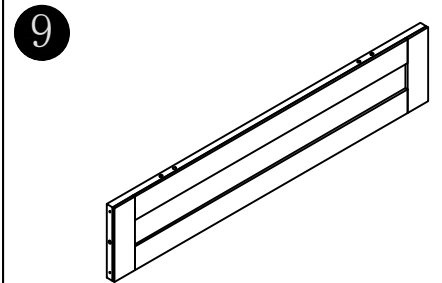
1PC



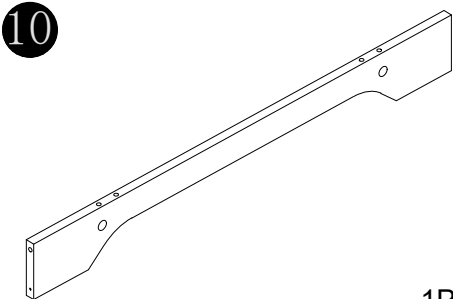
1PC



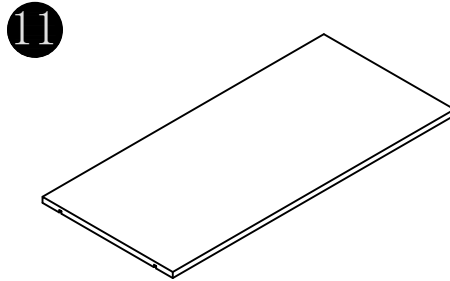
2PCS



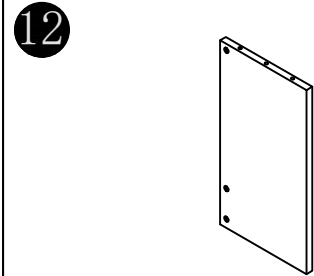
1PC



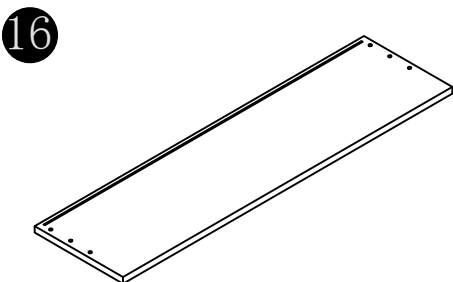
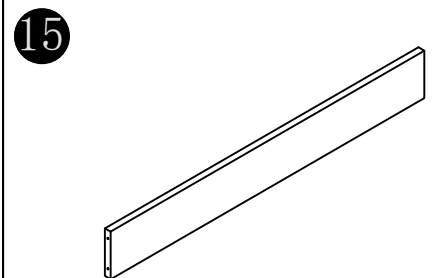
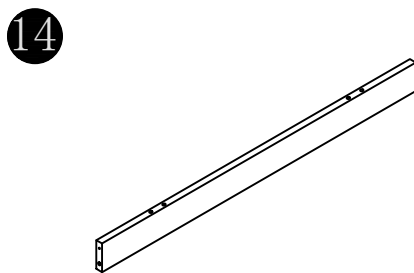
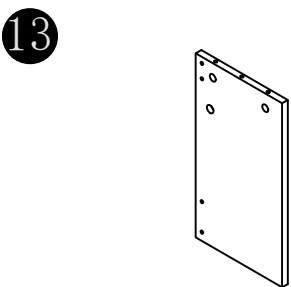
1PC



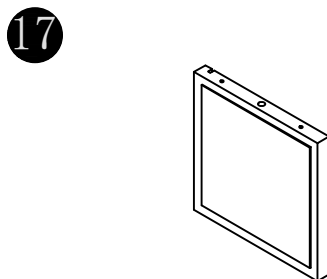
1PC



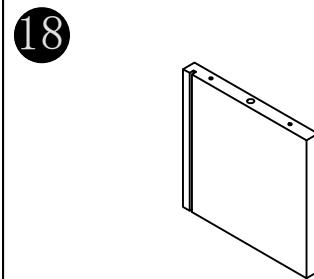
1PC



1PC



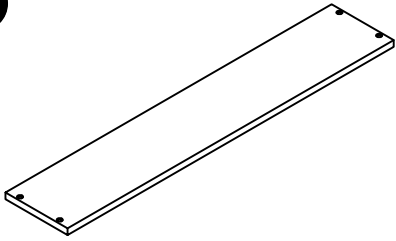
1PC



1PC

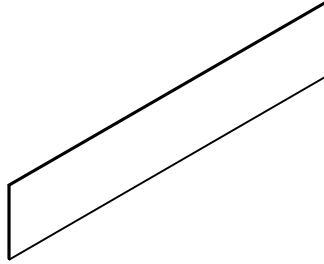
# PARTS LIST

19



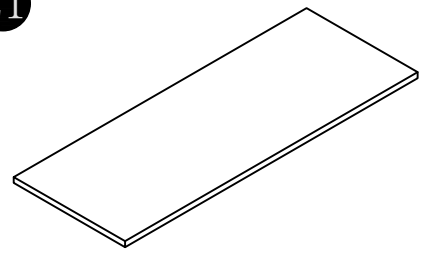
1PC

20



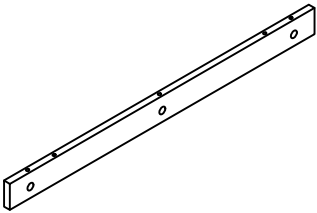
1PC

21



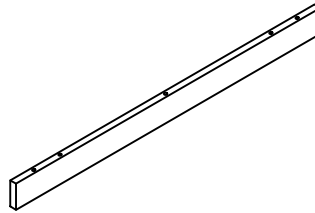
1PC

22



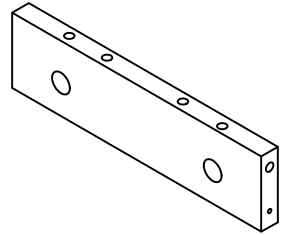
1PC

23



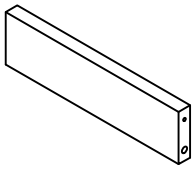
1PC

24



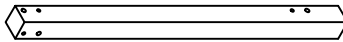
1PC

25



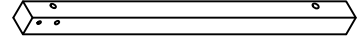
1PC

26



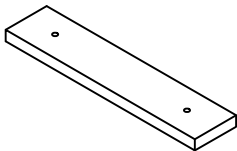
1PC

27



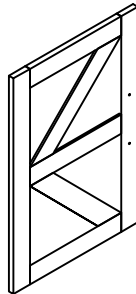
1PC

28



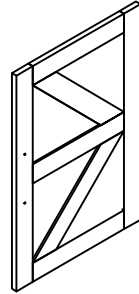
1PC

29



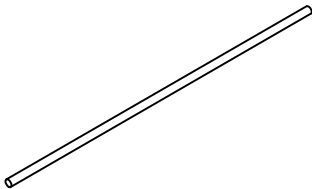
1PC

30



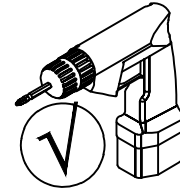
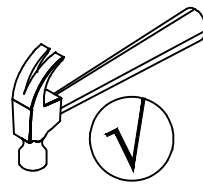
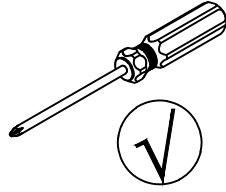
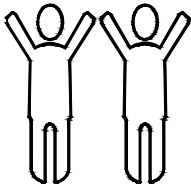
1PC

31

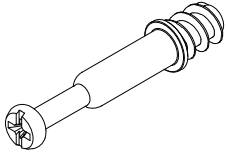


1PC

# ACCESSORIES LIST (Unit: mm)



**A**



Ø6x25mm

24+2PCS

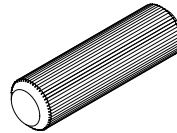
**B**



Ø15x9.5mm

24+2PCS

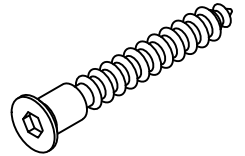
**C**



Ø6x30mm

50+2PCS

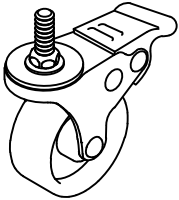
**D**



Ø9.5\*M5\*46mm

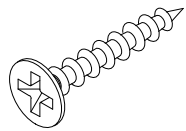
49+2PCS

**E**



2PCS

**F**



#8\*Ø4\*19mm

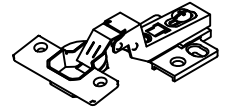
2PCS

**G**



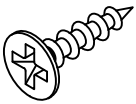
4PCS

**H**



4PCS

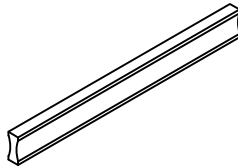
**I**



#7\*Ø3.5\*15mm

24+2PCS

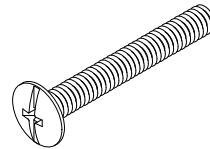
**J**



L150\*34\*10mm

2PCS

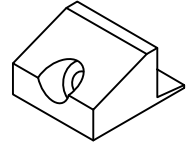
**K**



M4x19mm

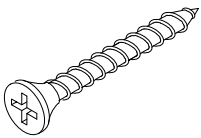
4PCS

**L**



2PCS

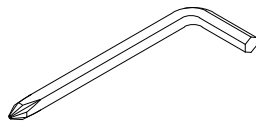
**M**



#6\*Ø3\*19mm

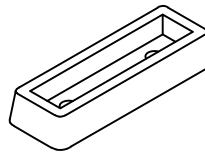
2PCS

**N**



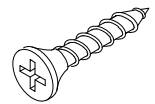
1PC

**O**



1PC

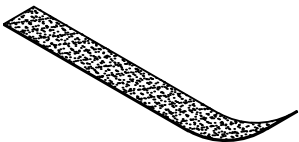
**P**



#6\*Ø3\*12mm

4PCS

**Q**



2PCS

**R**



2PCS

**S**



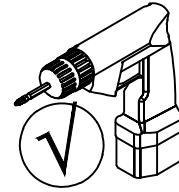
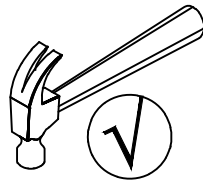
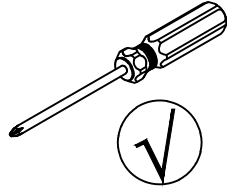
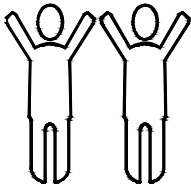
5PCS

**T**

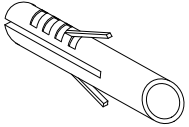


34+2PCS

# ACCESSORIES LIST (Unit: mm)

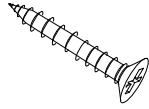


U



2PCS

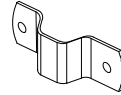
V



#8\*Ø4\*38mm

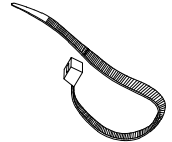
2PCS

W



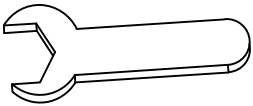
2PCS

X



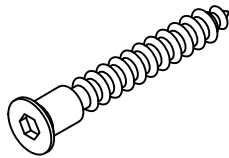
1PC

Y



1PC

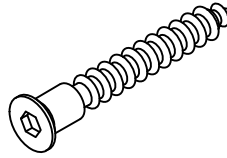
Z



Ø9.5\*M5\*55mm

2PC

Z1

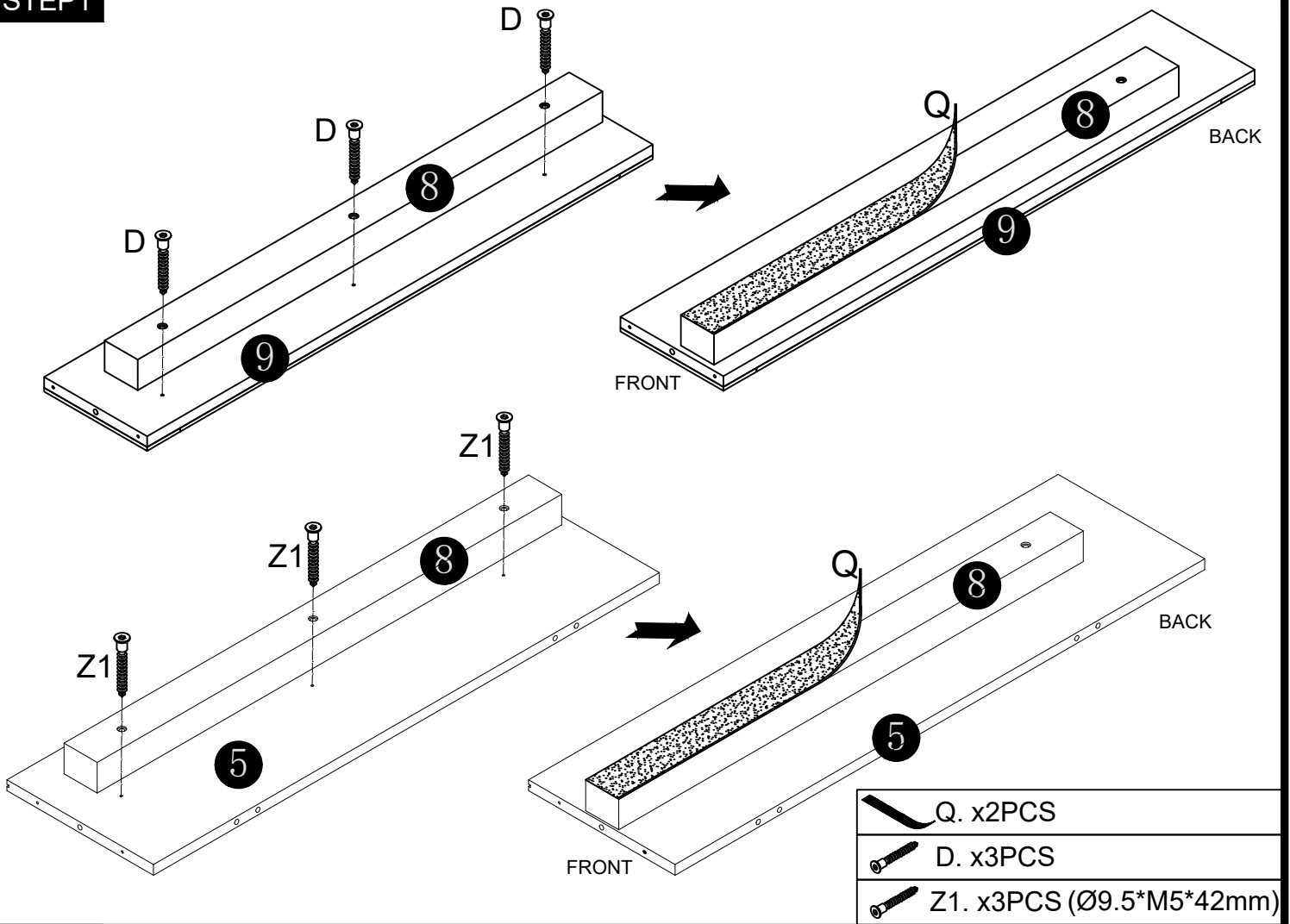


Ø9.5\*M5\*42mm

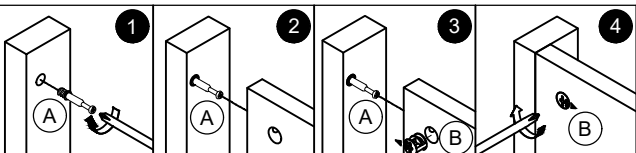
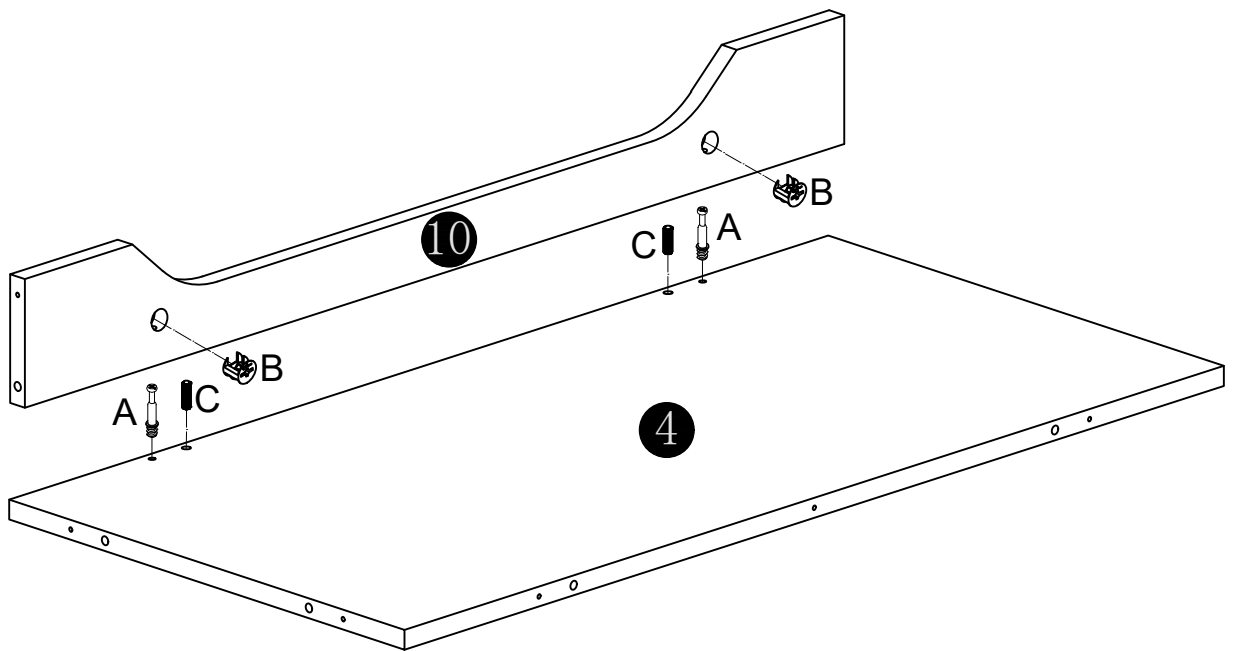
3PCS

# INSTALLATION INSTRUCTION

## STEP1



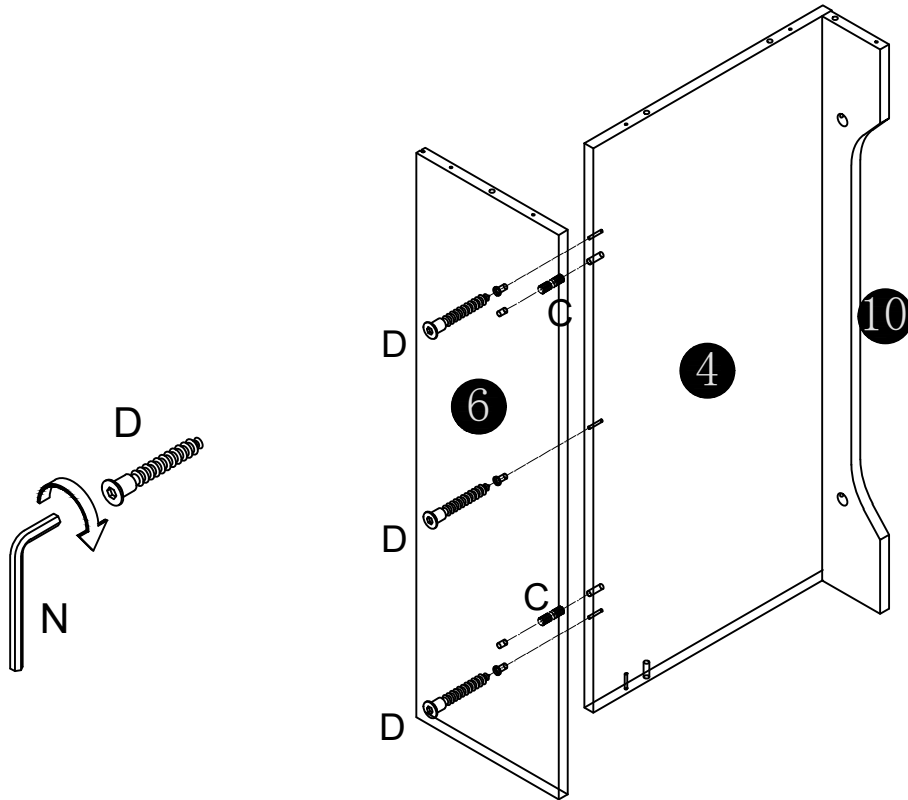
## STEP2



- |  |          |
|--|----------|
|  | A. x2PCS |
|  | B. x2PCS |
|  | C. x2PCS |

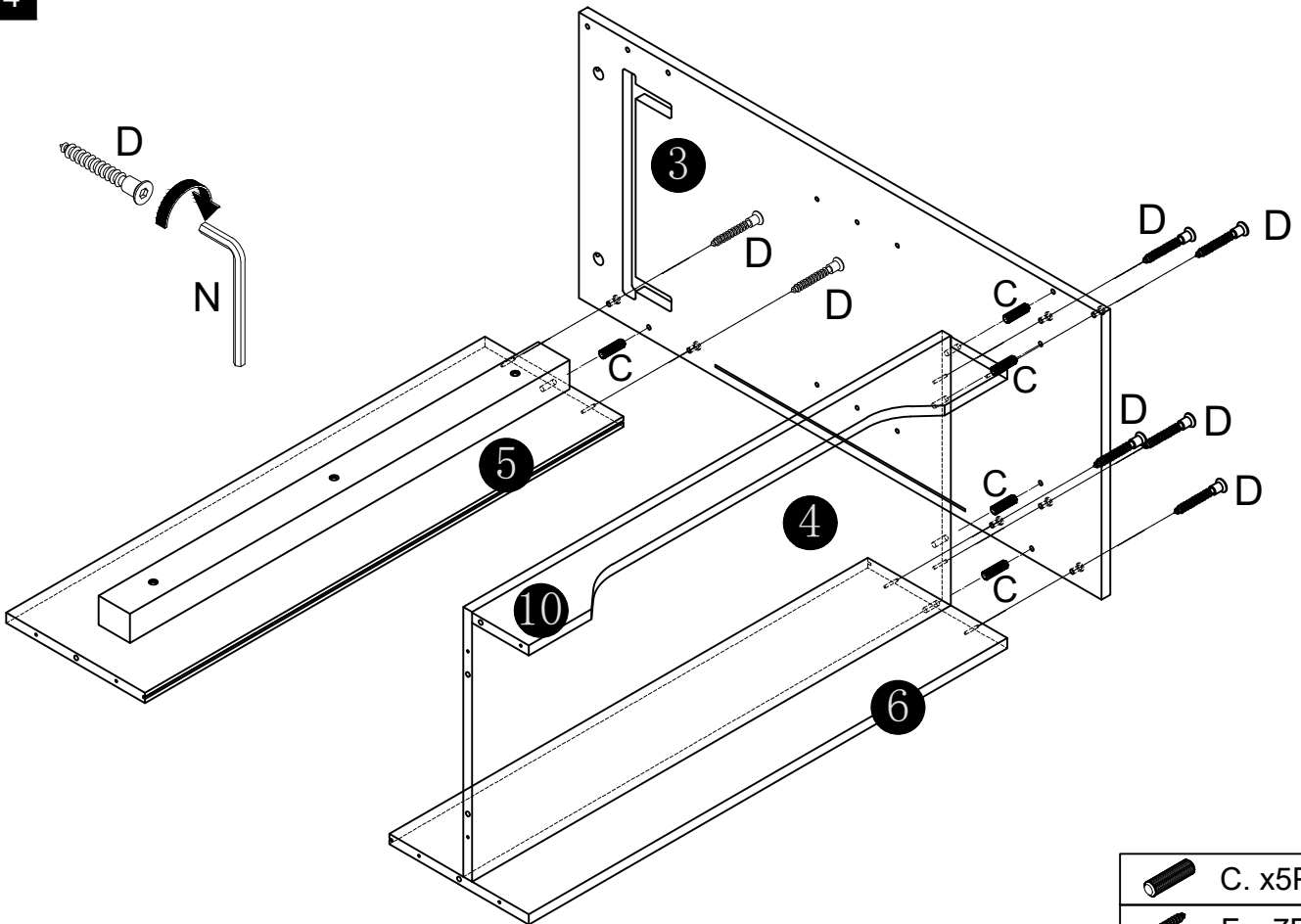
# INSTALLATION INSTRUCTION

## STEP3



- C. x2PCS
- D. x3PCS

## STEP4

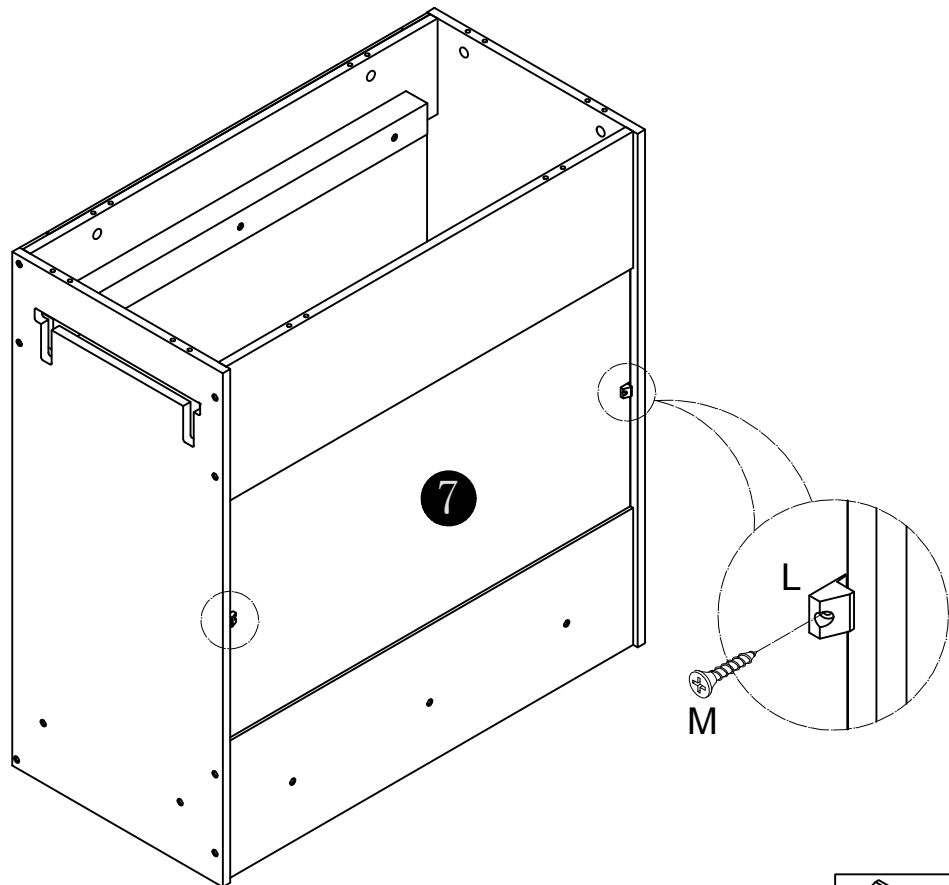
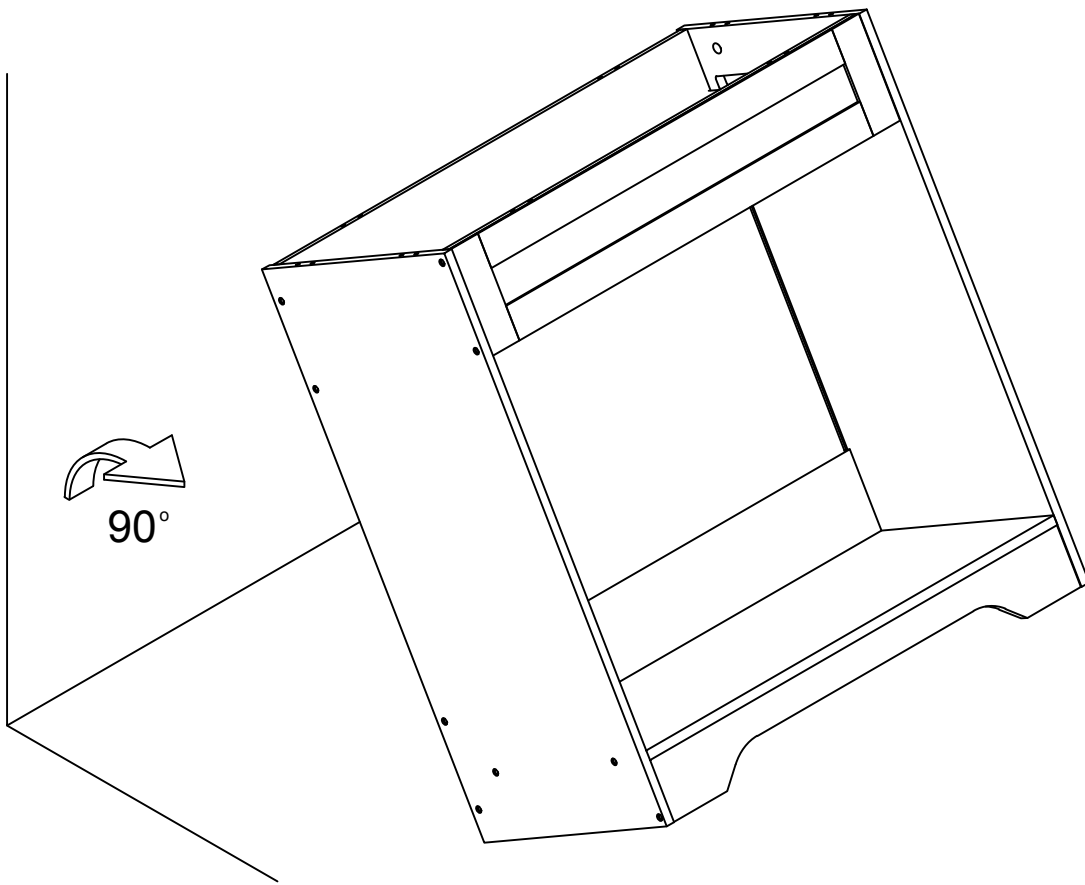




- C. x5PCS
- F. x7PCS



# INSTALLATION INSTRUCTION

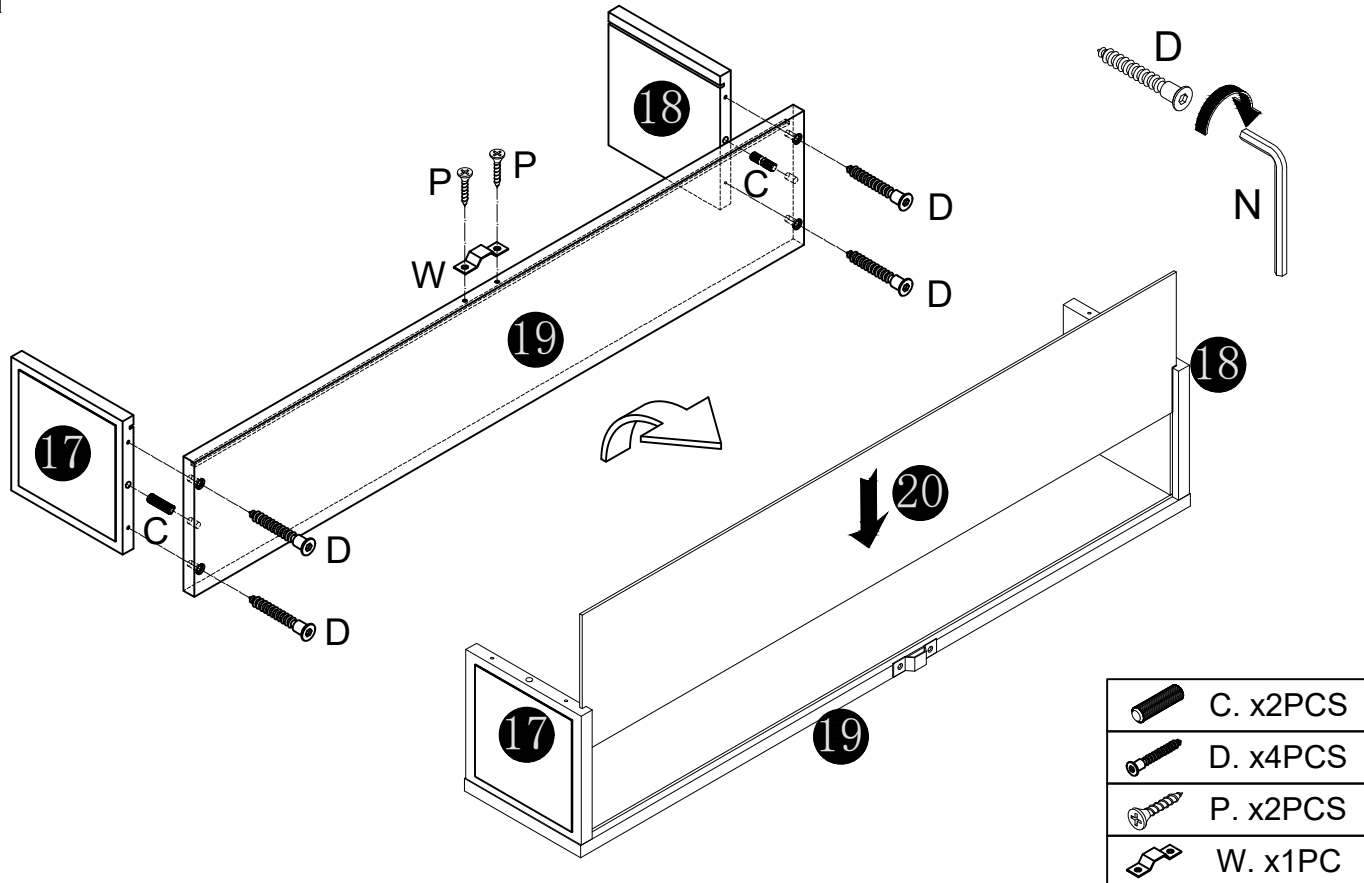
## STEP 7



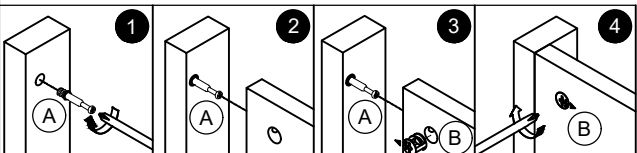
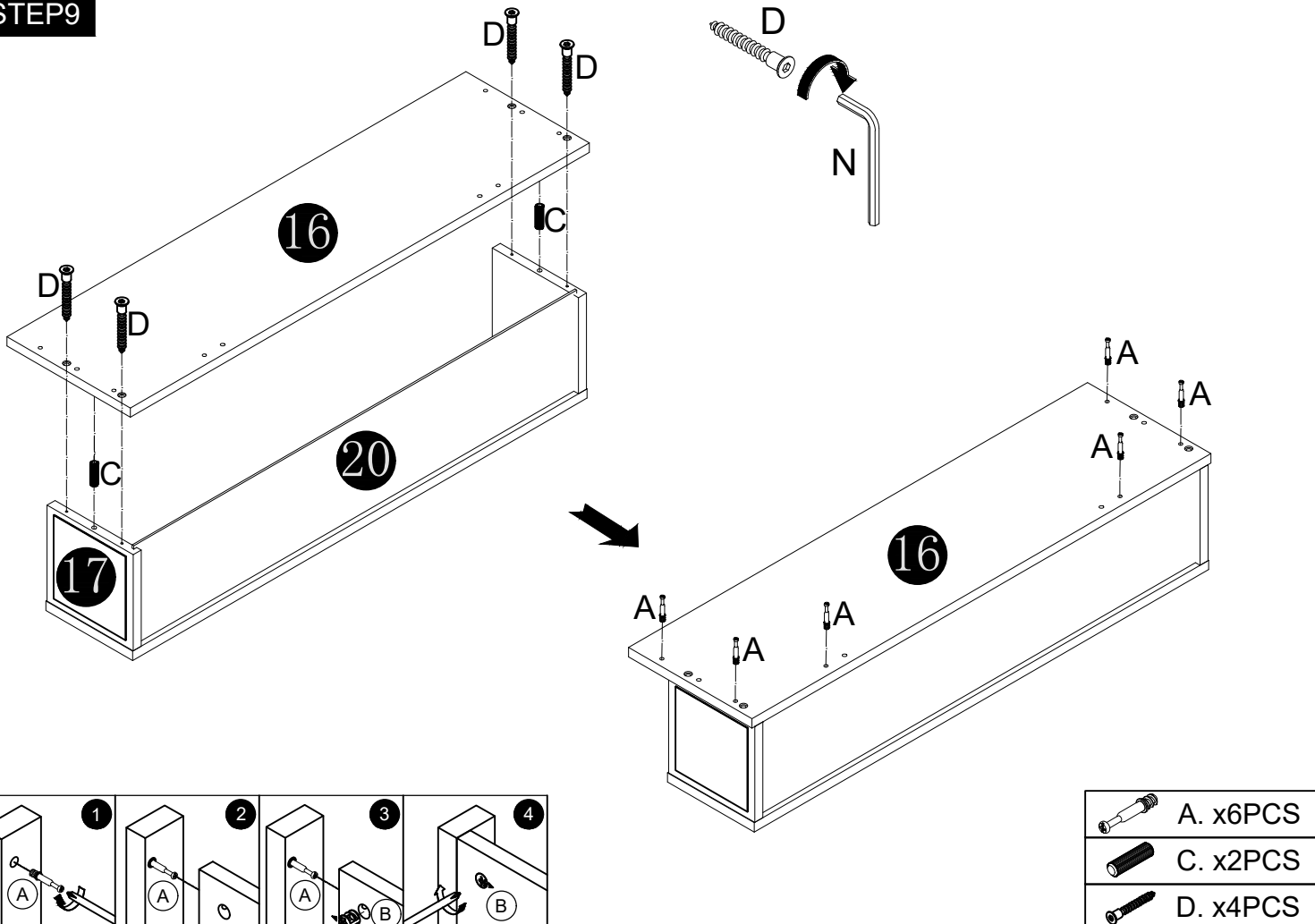
-  L. x2PCS
-  M. x2PCS

# INSTALLATION INSTRUCTION

## STEP8

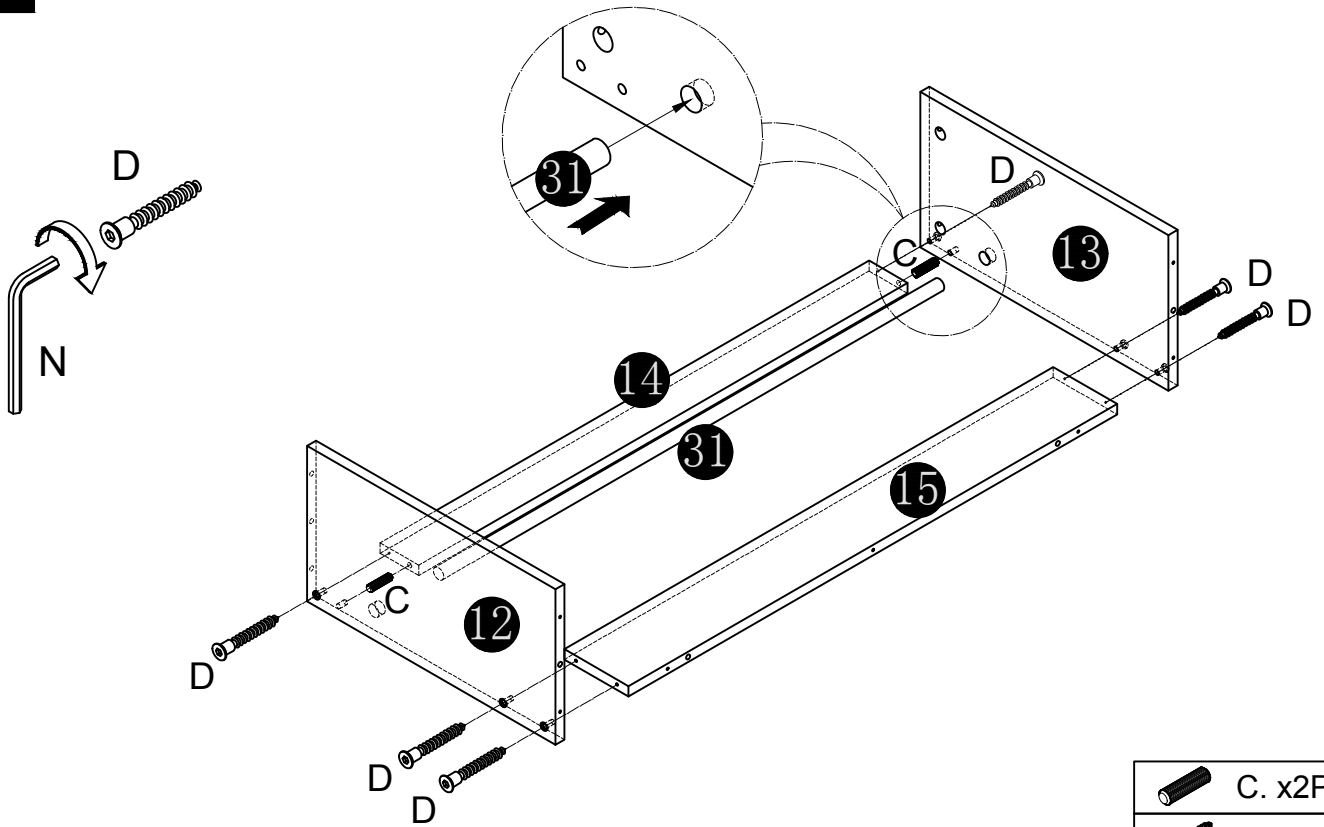




## STEP9



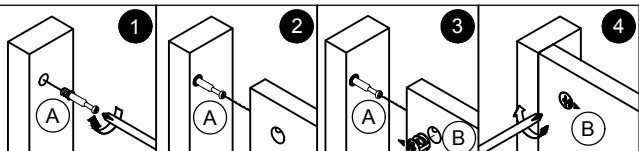
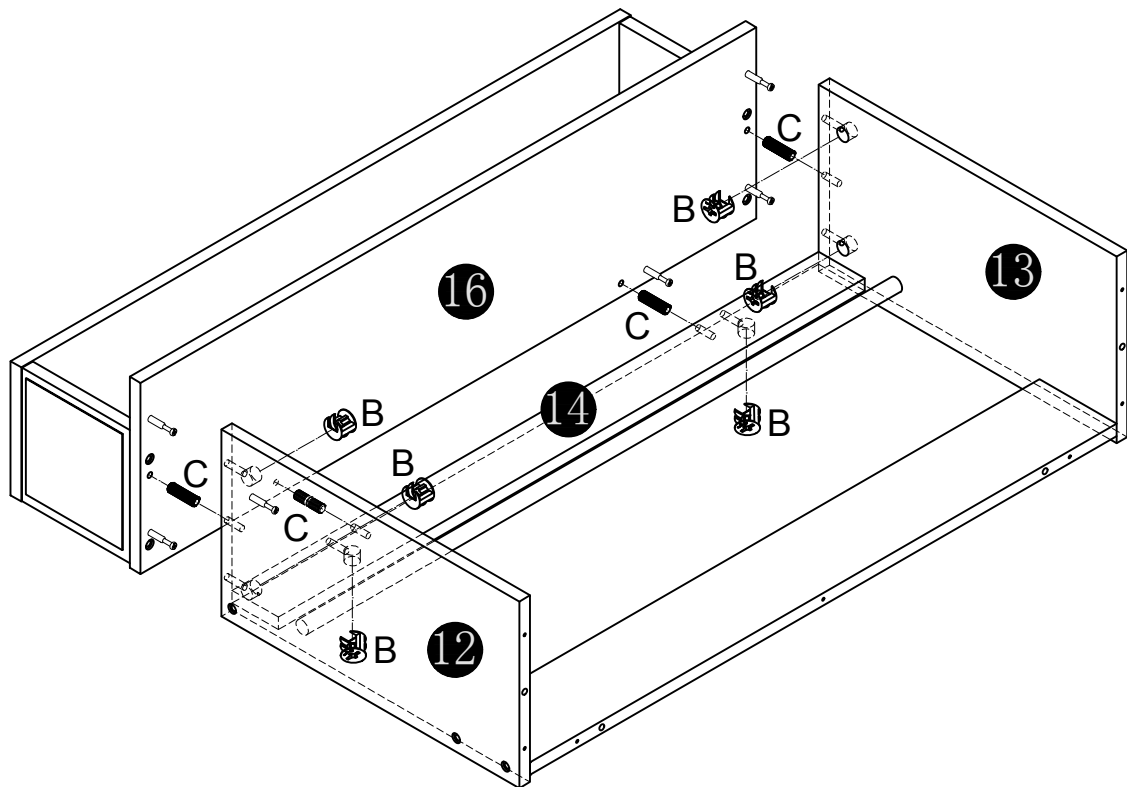
# INSTALLATION INSTRUCTION



## STEP10



-  C. x2PCS
-  D. x6PCS

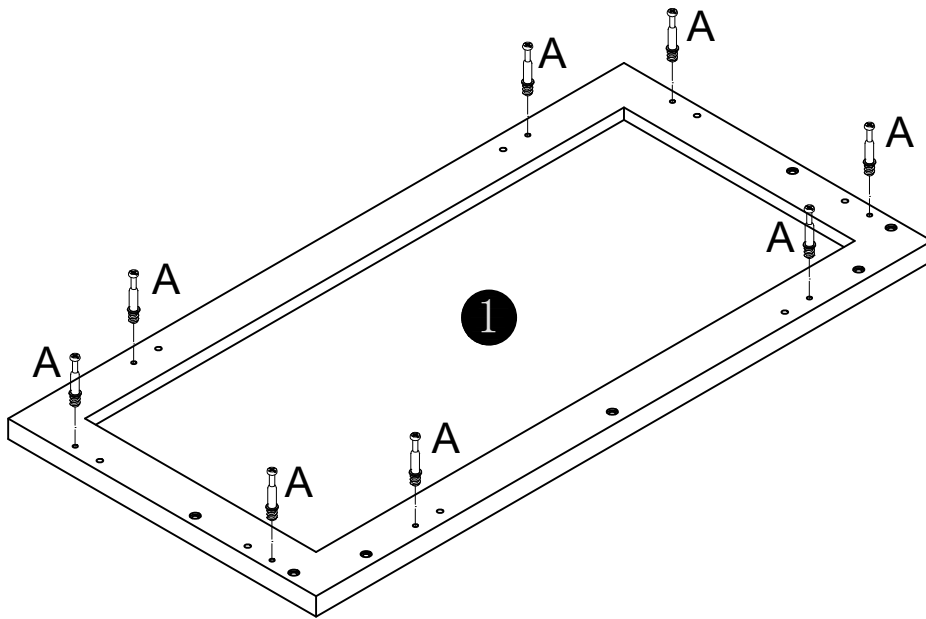
## STEP11




-  C. x4PCS
-  B. x6PCS

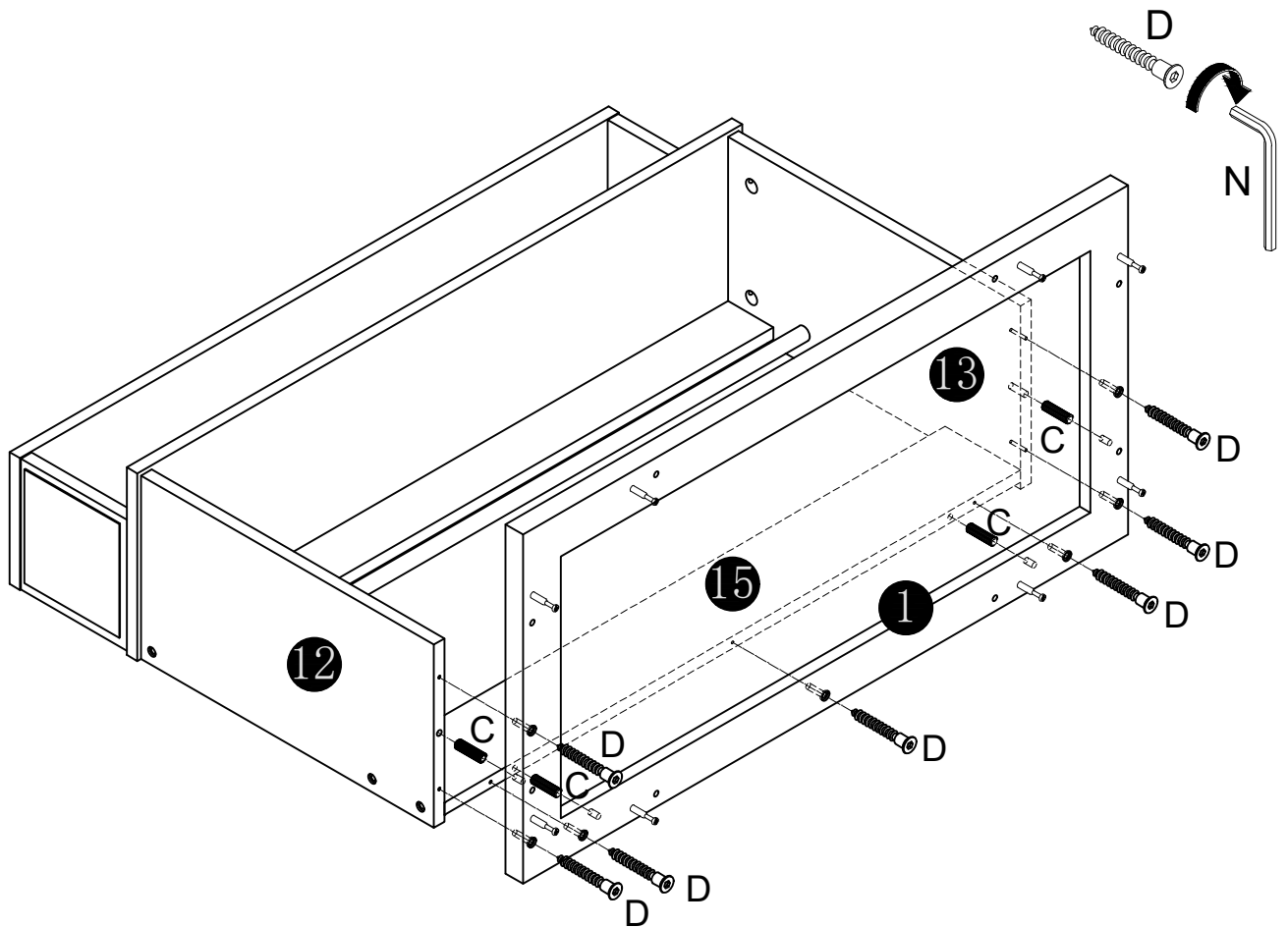
# INSTALLATION INSTRUCTION



## STEP12



 A. x8PCS

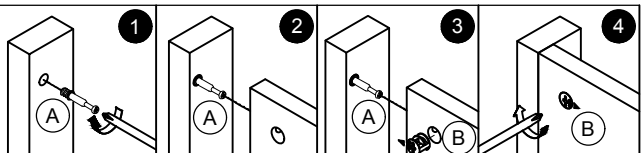
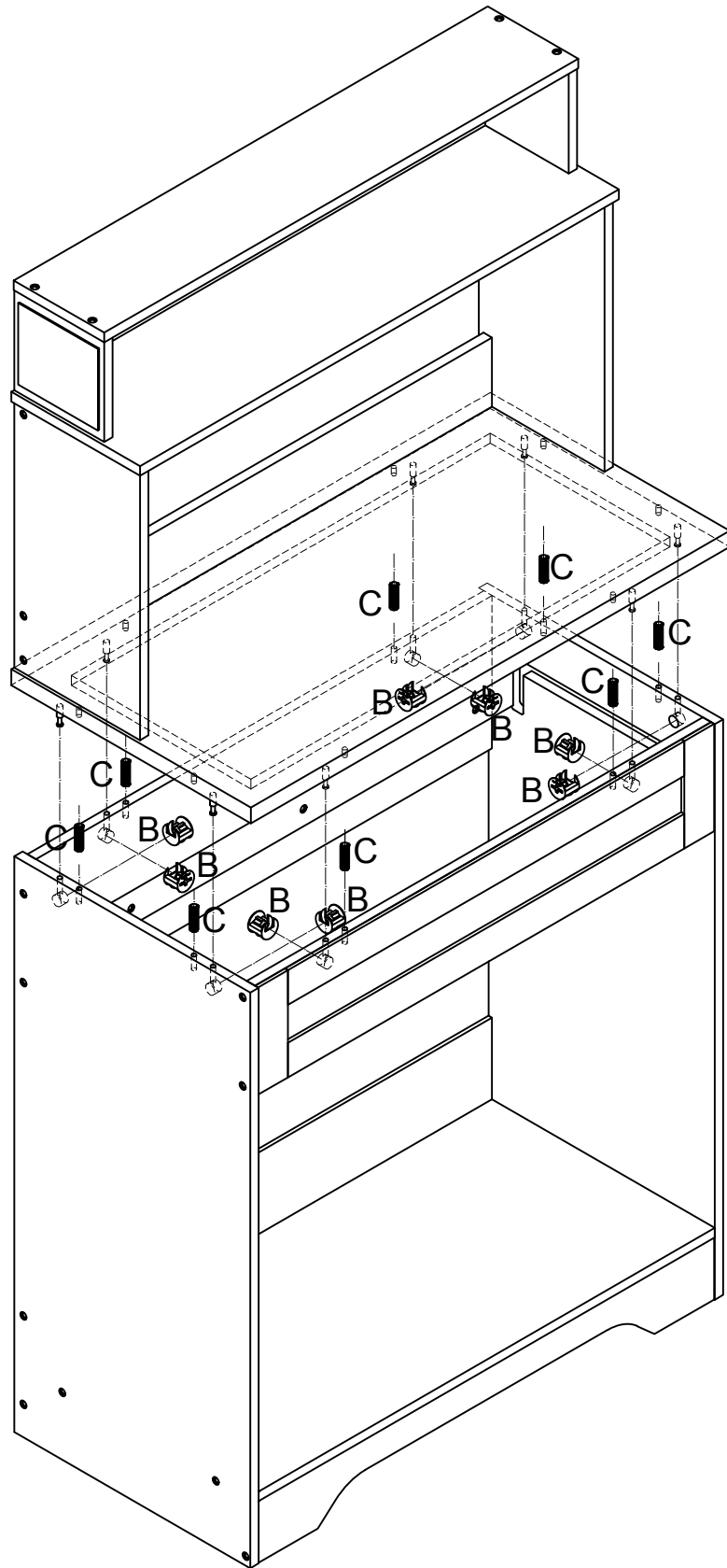
## STEP13





 C. x4PCS  
 D. x7PCS

# INSTALLATION INSTRUCTION

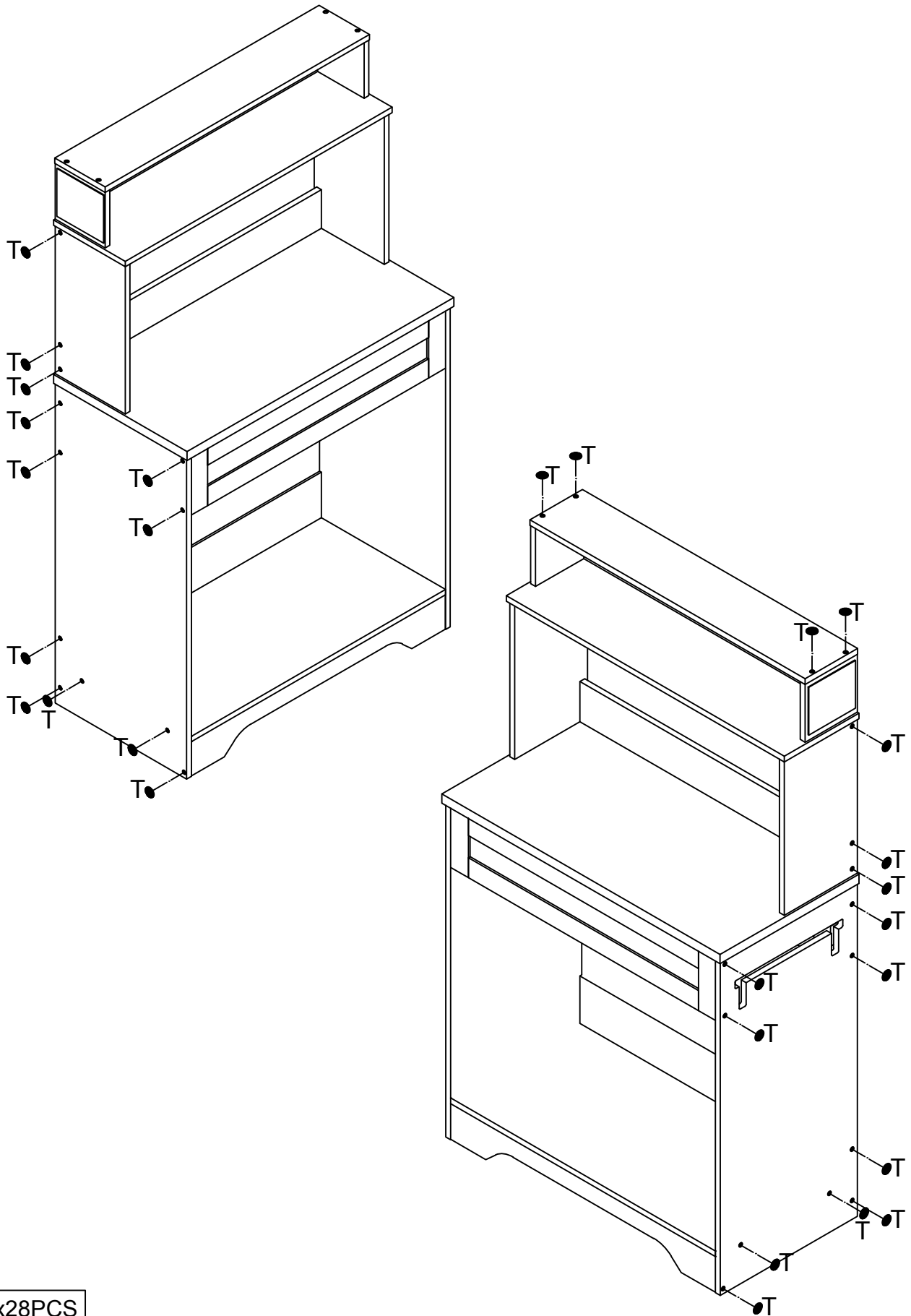
STEP 14



-  C. x8PCS
-  B. x8PCS

# INSTALLATION INSTRUCTION

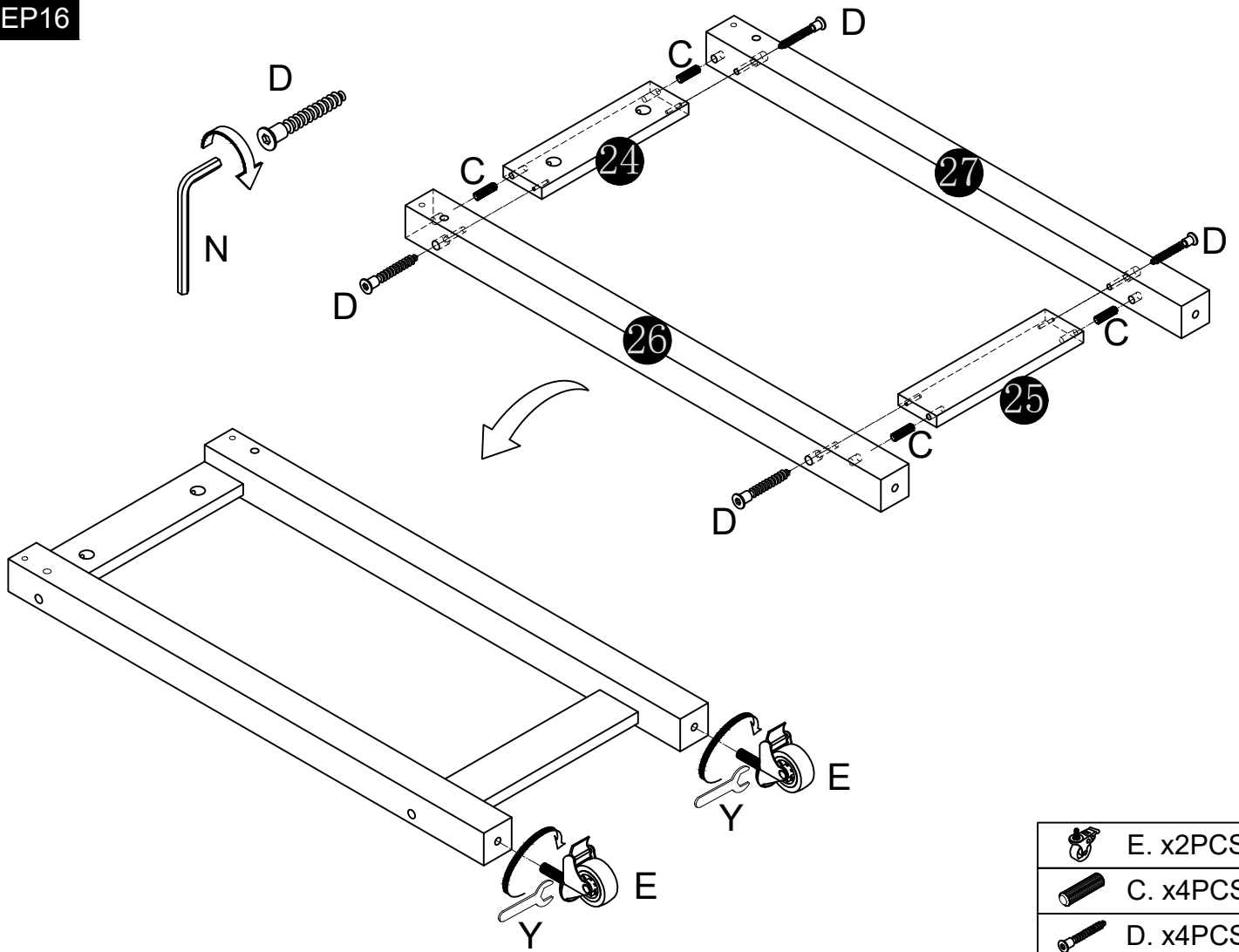
## STEP 15



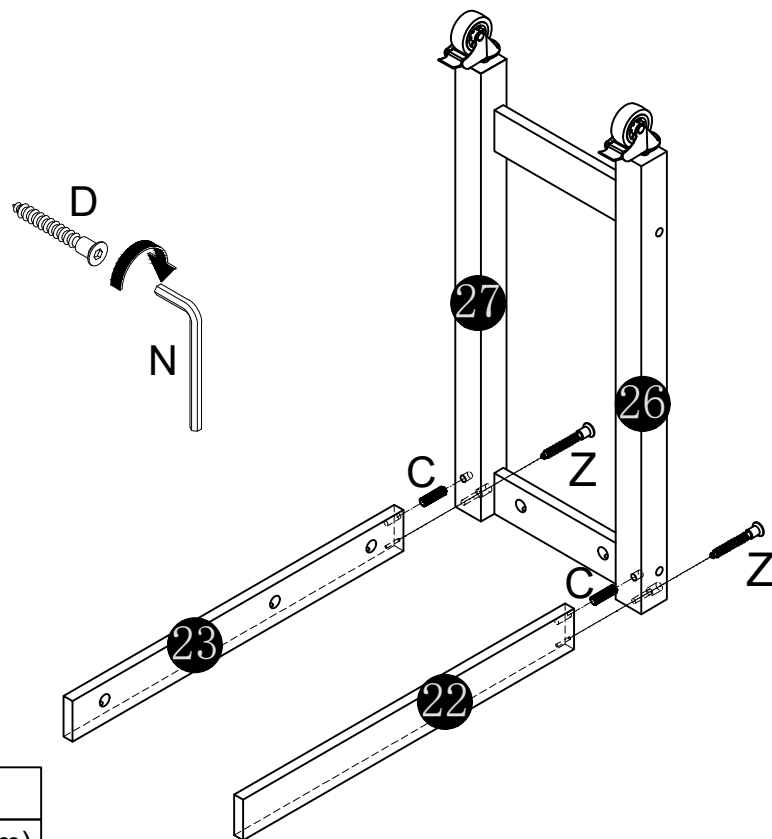
● T. x28PCS

# INSTALLATION INSTRUCTION

## STEP16

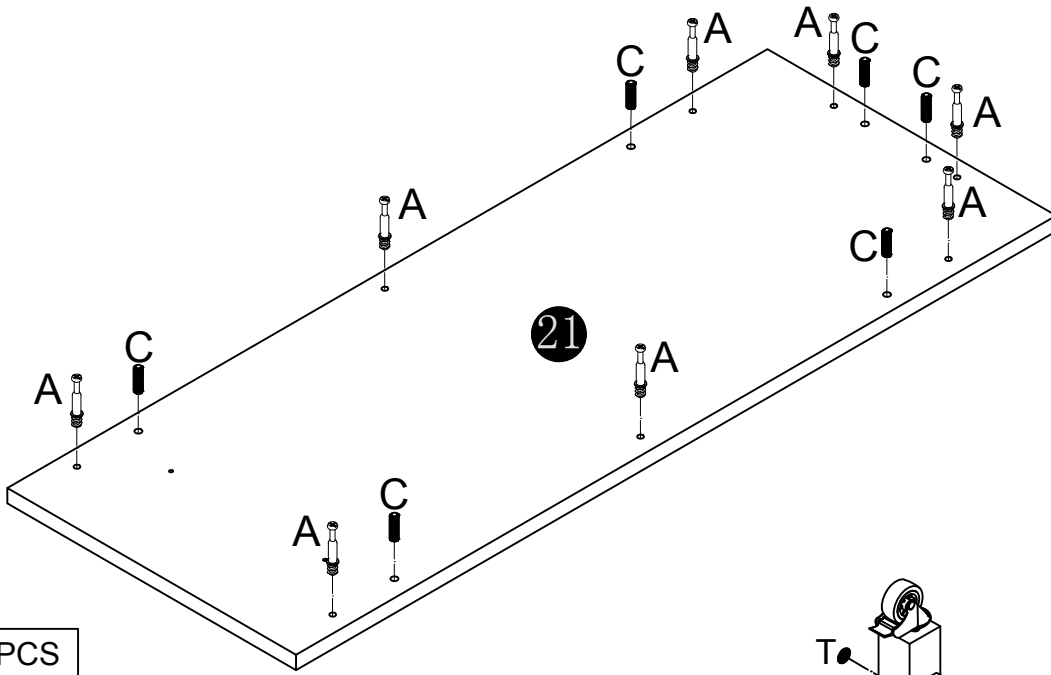




## STEP17



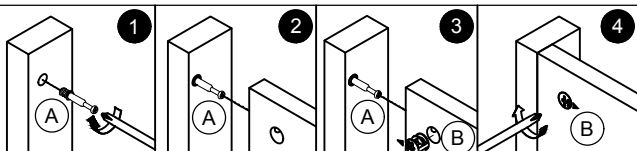
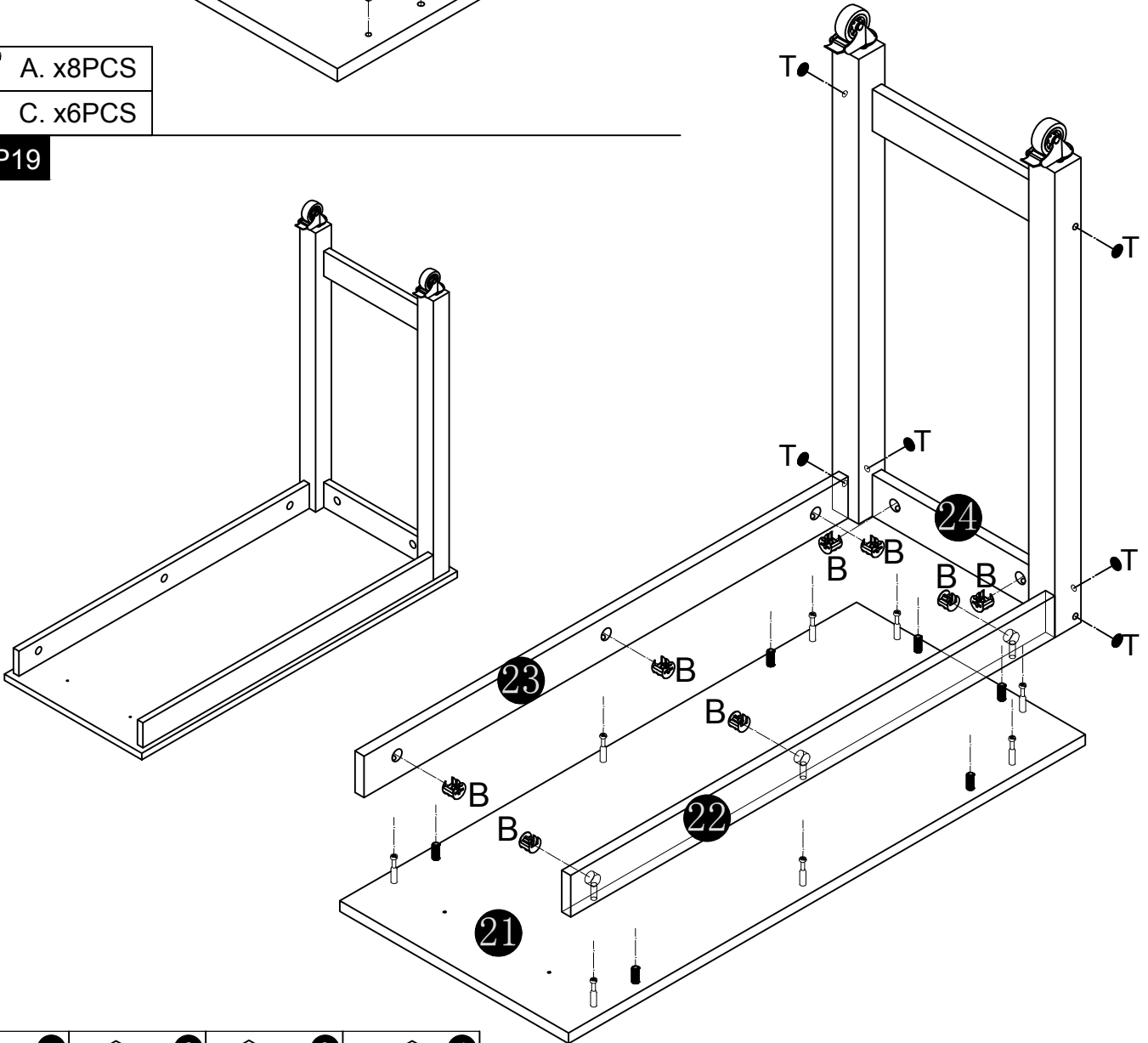
# INSTALLATION INSTRUCTION



## STEP18



-  A. x8PCS
-  C. x6PCS

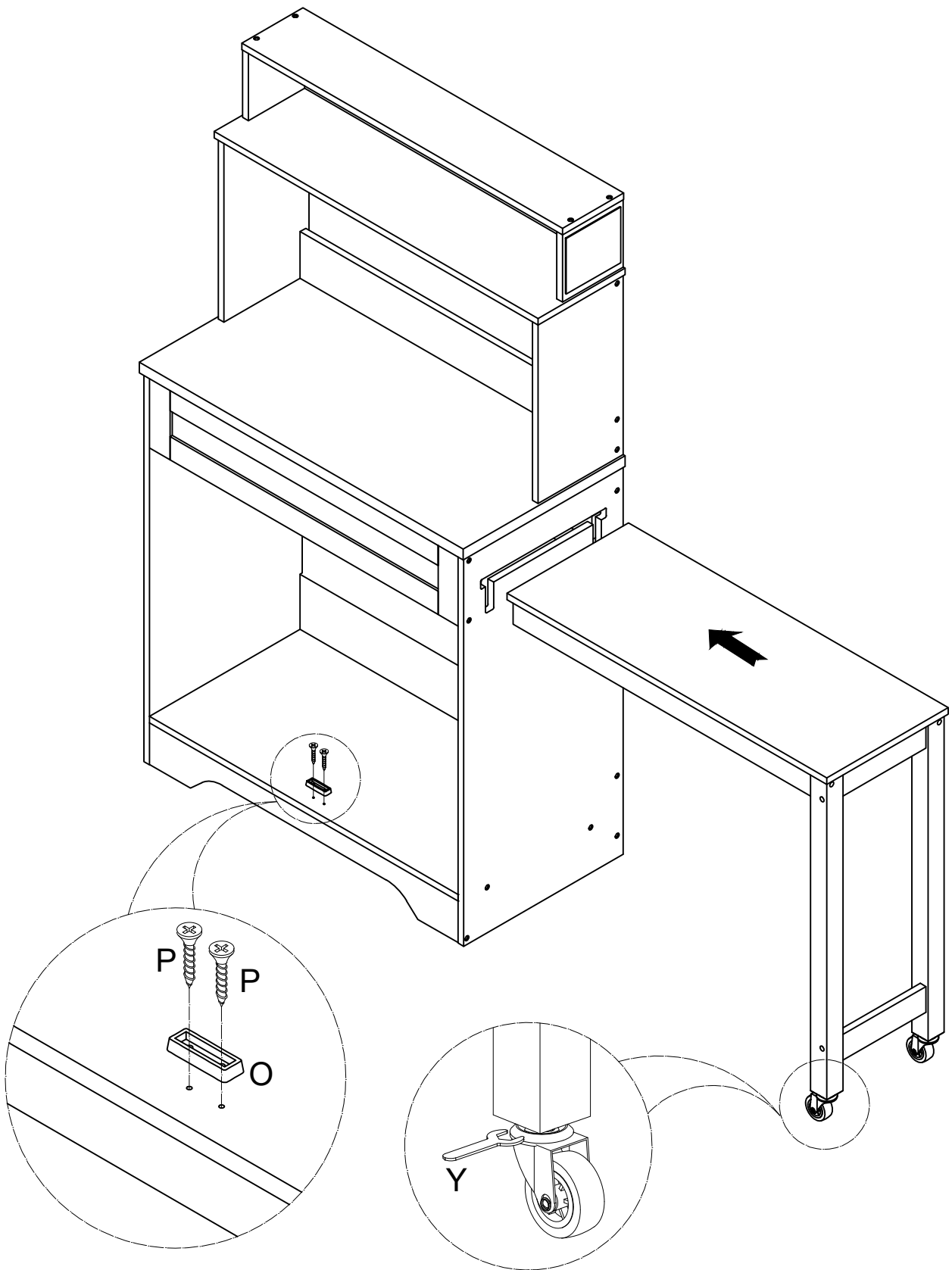
## STEP19




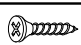
-  T. x6PCS
-  B. x8PCS

# INSTALLATION INSTRUCTION

STEP20

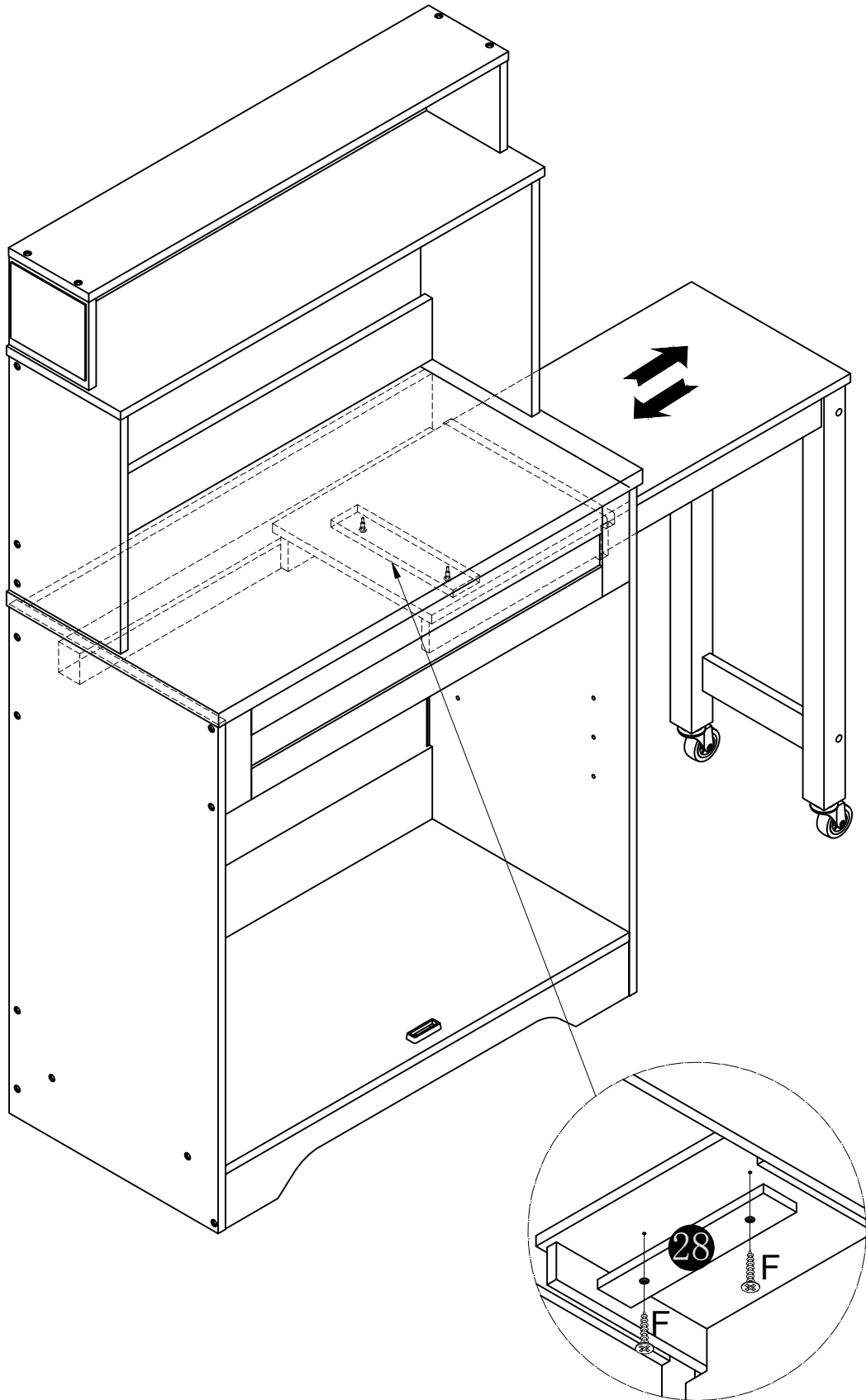



If the floor is uneven, use the wrench to adjust the wheel up or down.

- |   |          |
|---|----------|
|  | O. x1PC  |
|  | P. x2PCS |

# INSTALLATION INSTRUCTION

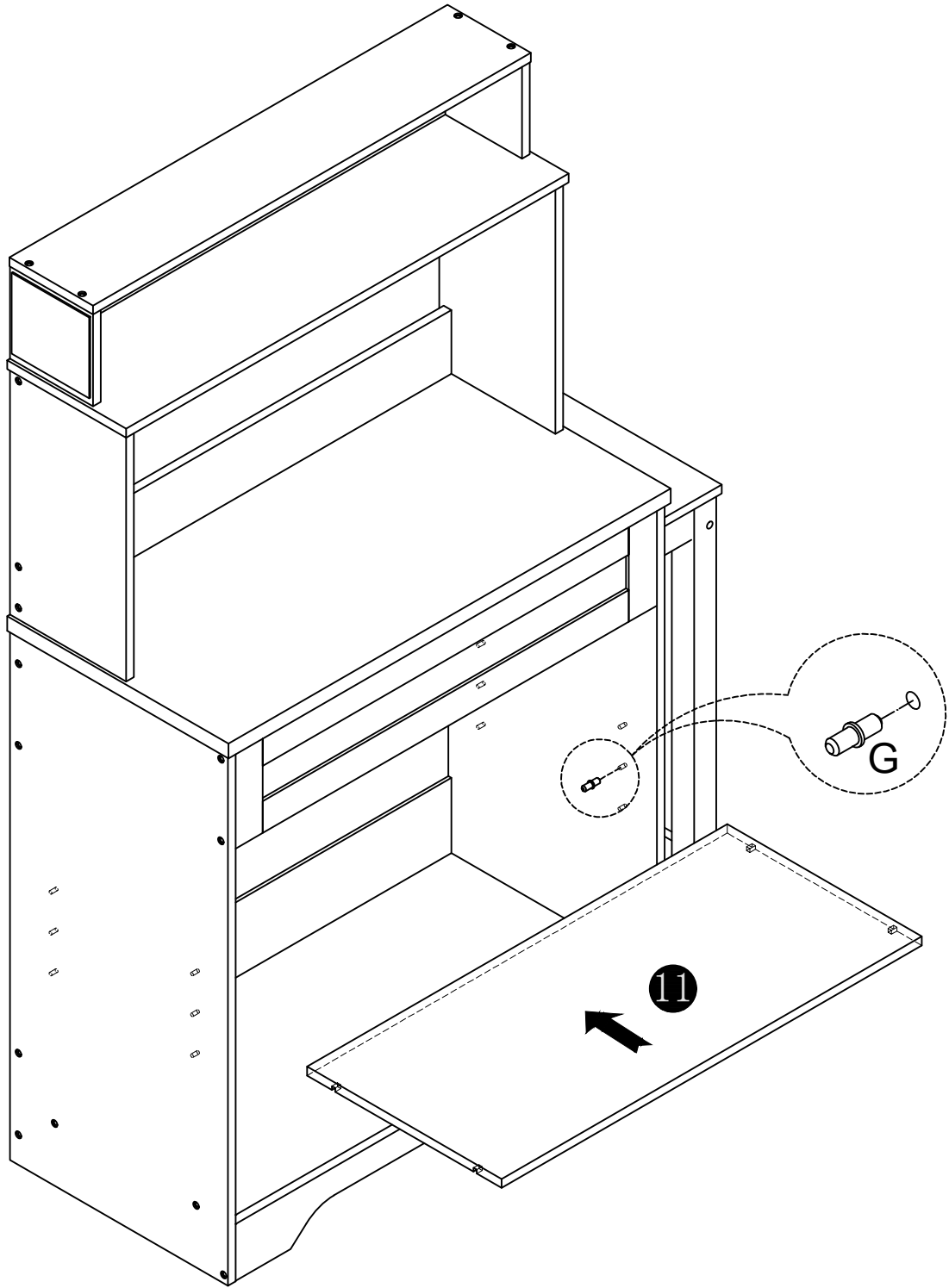
STEP21




 F. x2PCS

# INSTALLATION INSTRUCTION

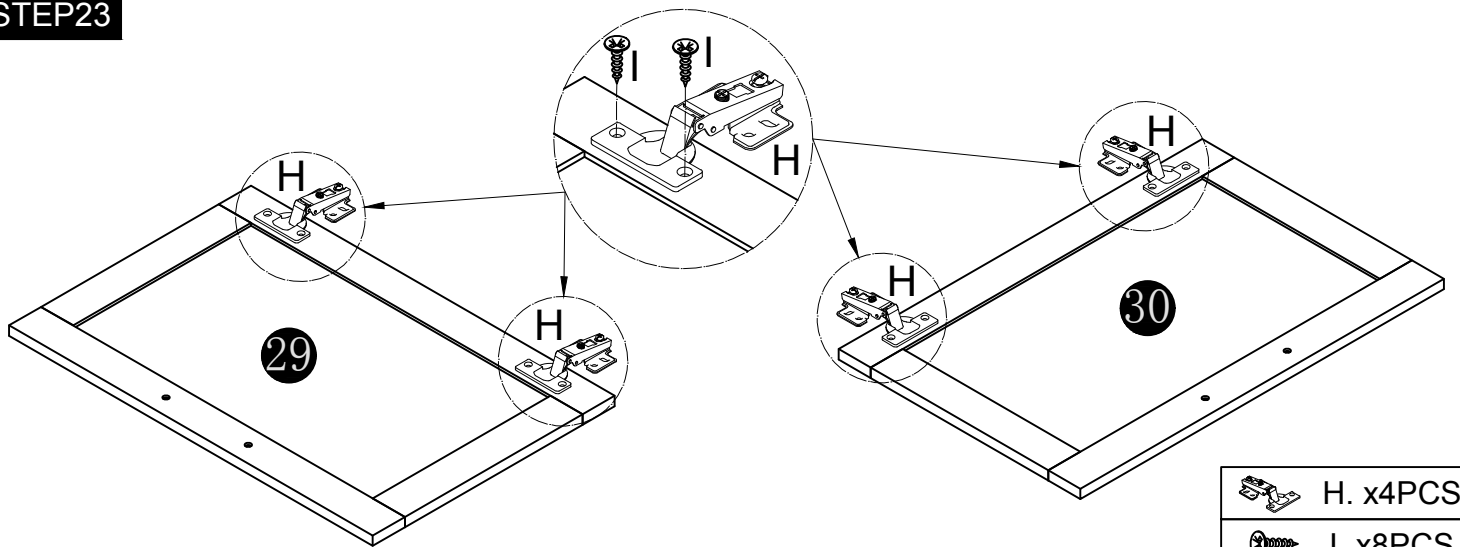
STEP22



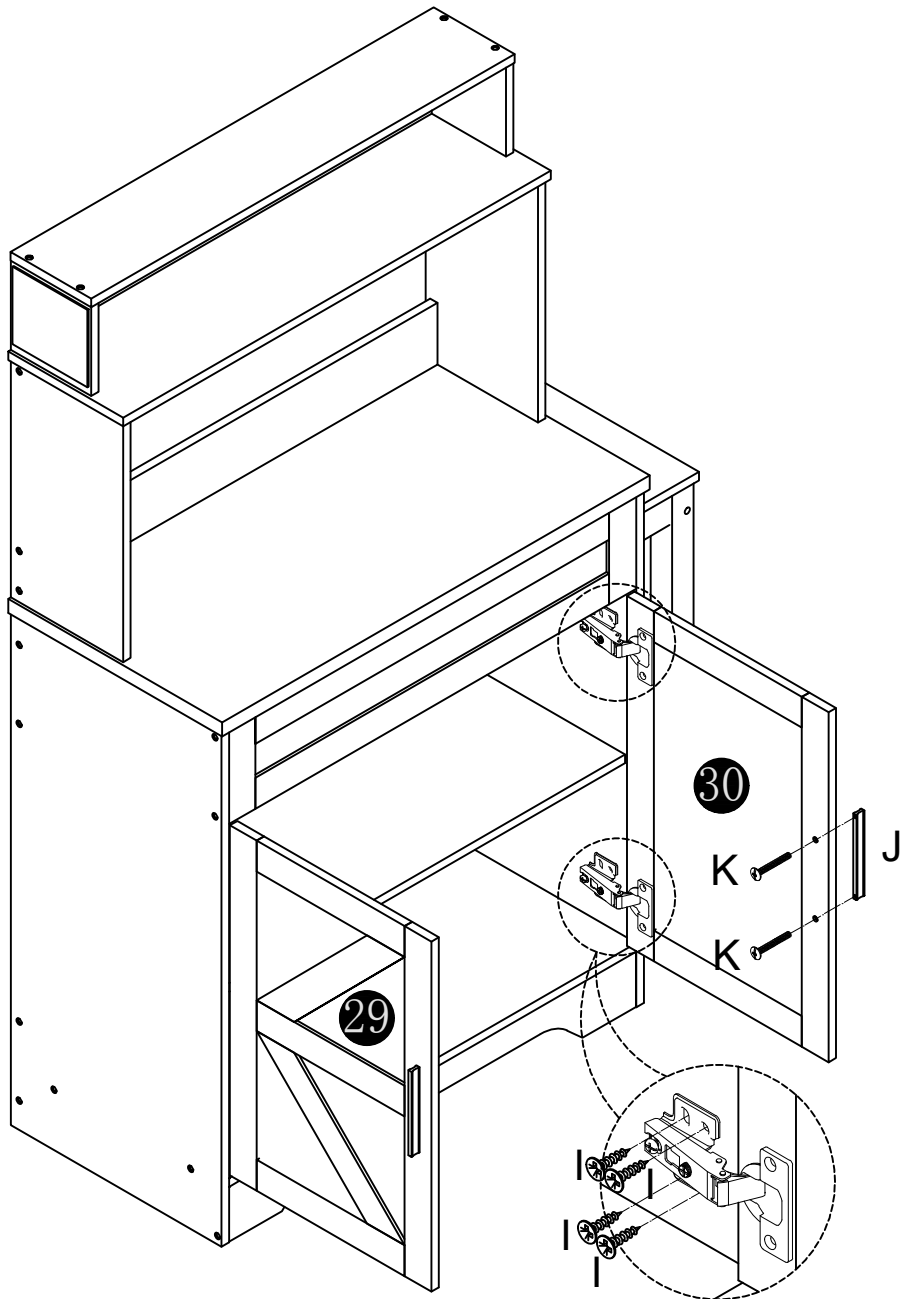
 G. x4PCS

# INSTALLATION INSTRUCTION

## STEP23

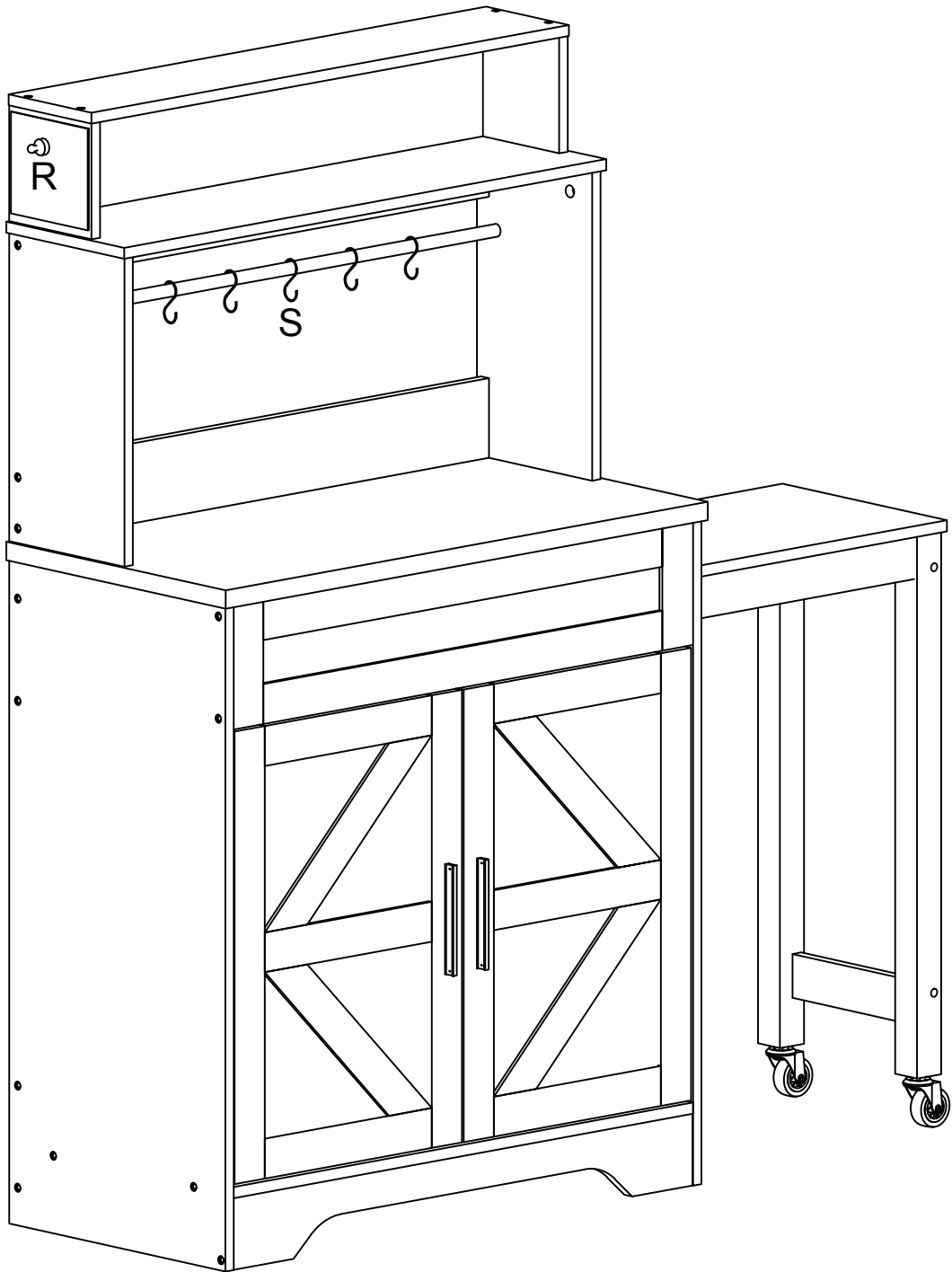


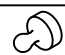
## STEP24




# INSTALLATION INSTRUCTION

STEP25



 R. x2PCS

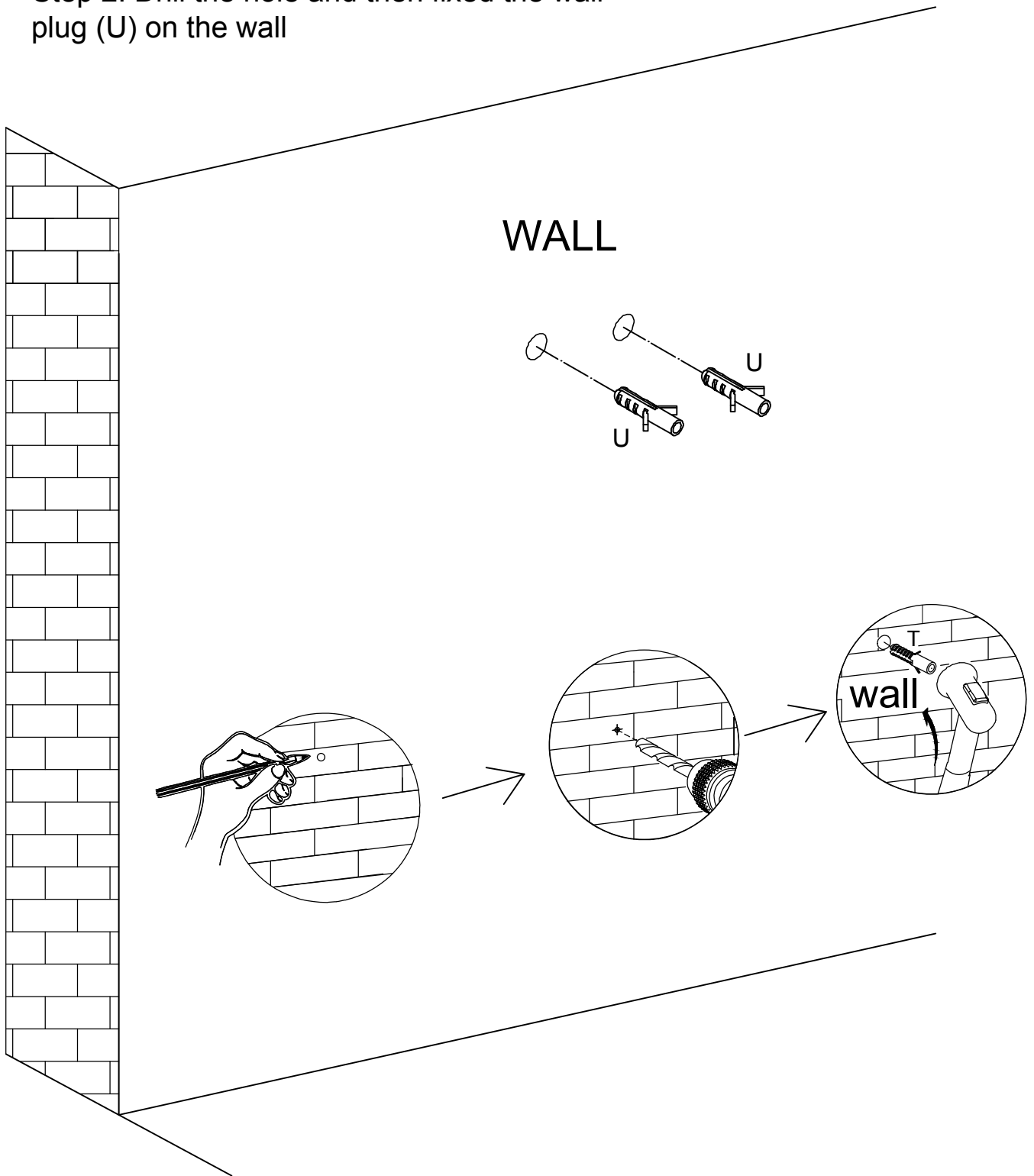
 S. x5PCS

# INSTALLATION INSTRUCTION

## STEP26

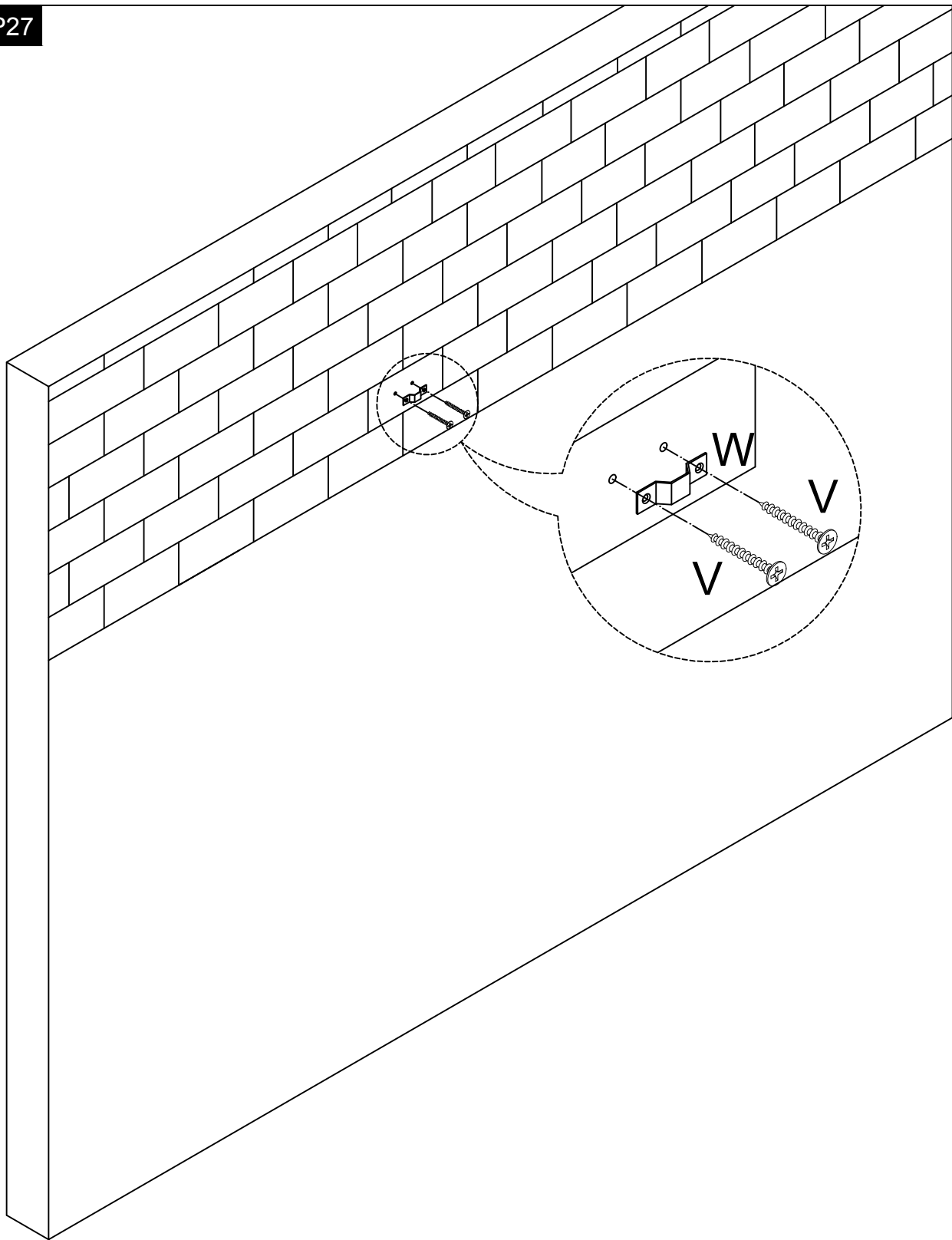
Step1: Determine the location of the anti-overturning on the wall and then mark the position

Step 2: Drill the hole and then fixed the wall plug (U) on the wall



# INSTALLATION INSTRUCTION

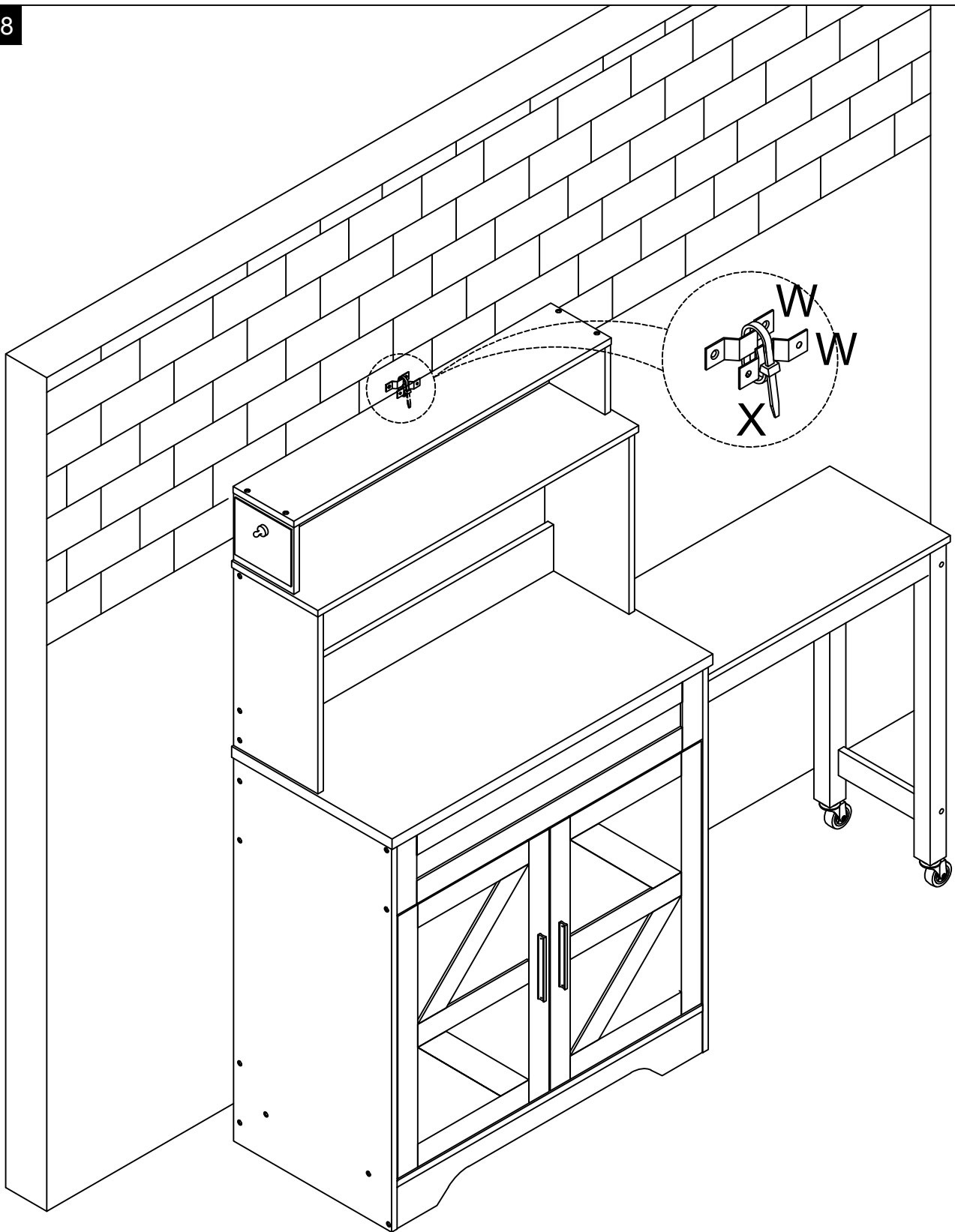
STEP 27



Step 3: use screw (V) to fix (W) on the wall

# INSTALLATION INSTRUCTION

STEP28



Step 3: use cable tie (X) to fix (W) and (W)