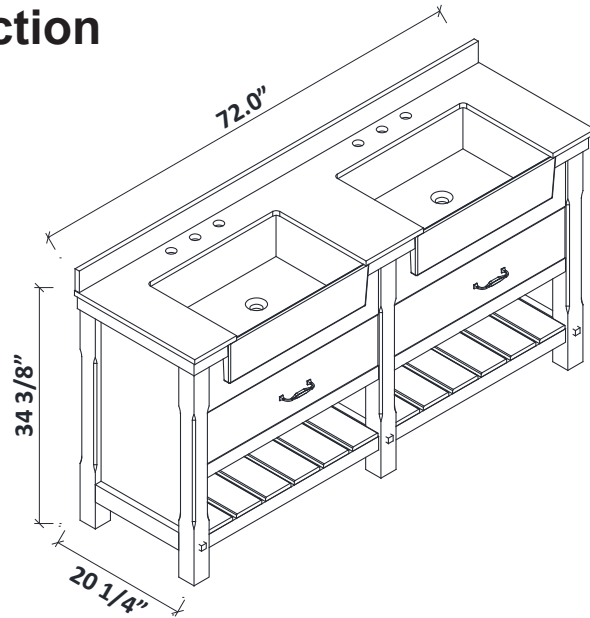
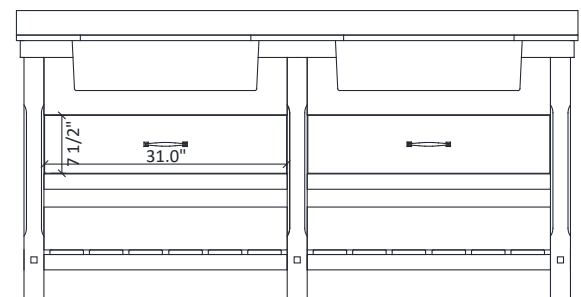
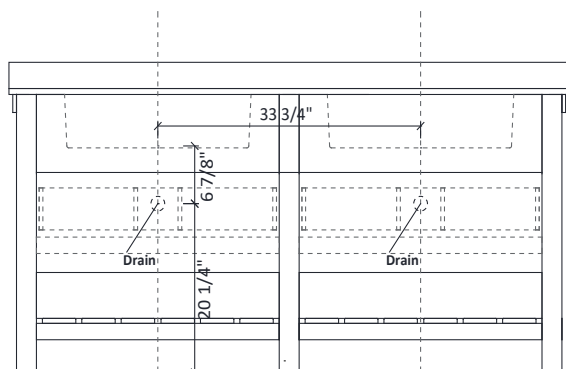
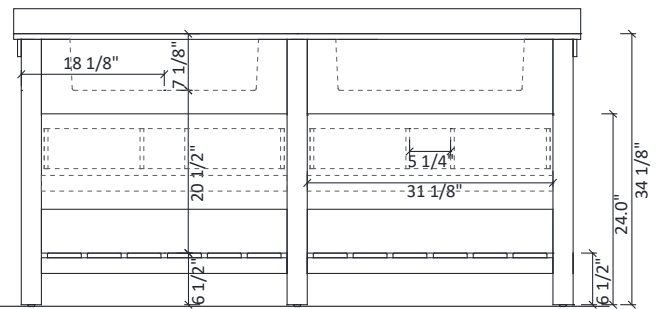
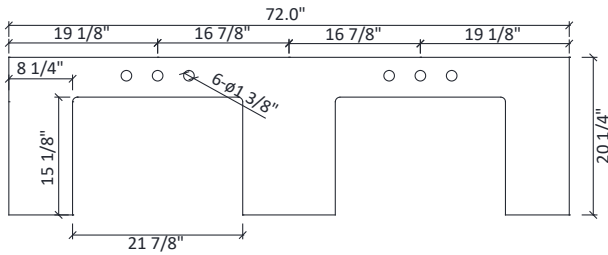


# S2403-72 Vanity Installation Instruction



## DIMENSIONS



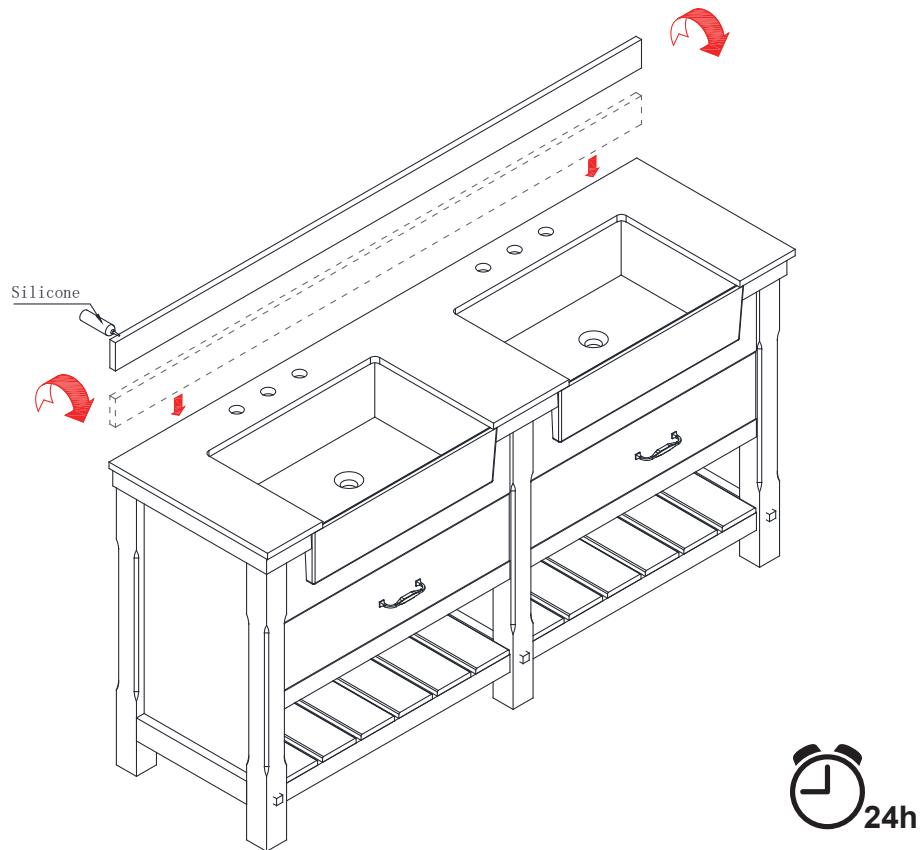
### **WARNING !**

*In the hole on the wall, please be sure to be careful to avoid the internal cables and pipelines.*

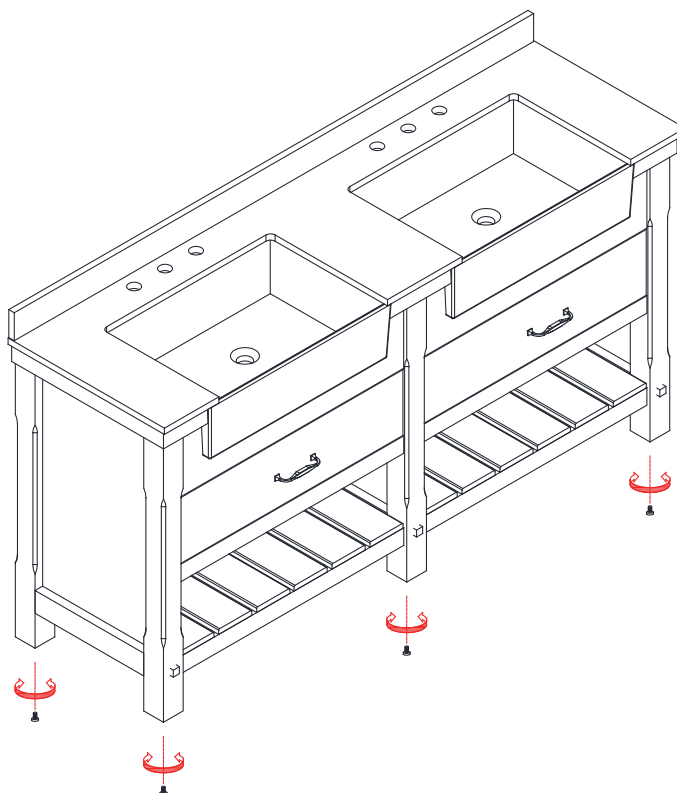
## MATERIALS & TOOLS

*Safety glasses, Pencil, Level, Tape measure, Stud Finder, Assorted screwdrivers, Assorted Wrenches, Drill, Screw gun, Caulking gun, Hammer, Screws, Nail anchors/Molly screws.*

► Backsplash installation



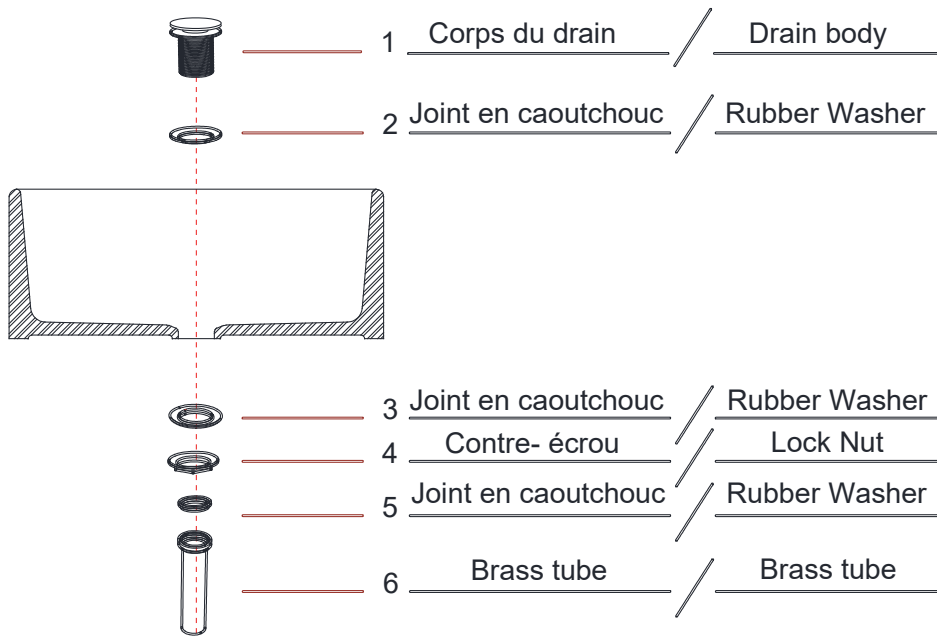
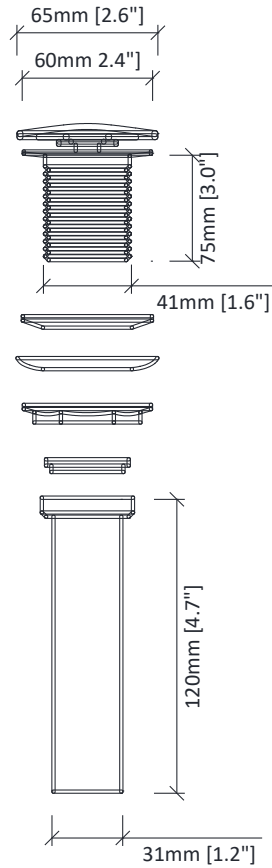
► If the floor is uneven, the adjustable feet levelers can be rotated to raise the vanity to the desired height.



# Drain Installation Instruction



Drain Parts  
Not Included In The Package



## WARNING !

In the hole on the wall, please be sure to be careful to avoid the internal cables and pipelines.