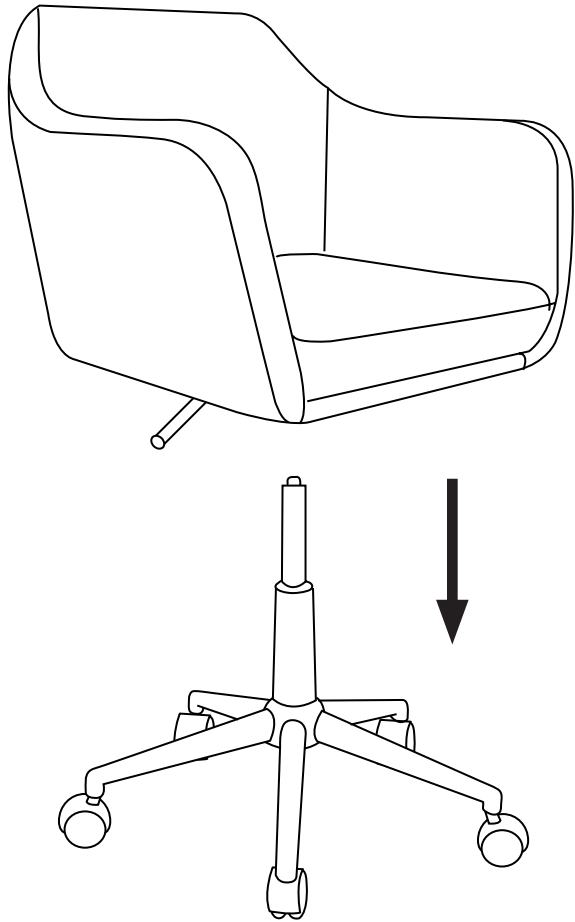
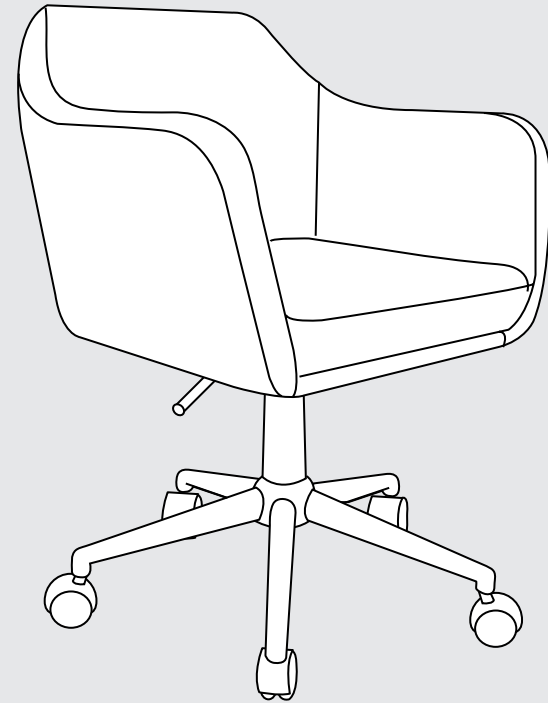


3 Attach Seat to Legs by pressing Seat onto Legs until it locks into place.

Model: _____
Lot No: _____
Date of Purchase: _____



OFFICE CHAIR



ADULT ASSEMBLY REQUIRED

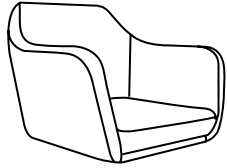
If you are missing any parts or have any questions regarding assembly, do not return this item to the retailers store. Please call our toll-free, customer service number and have this assembly manual open to the parts list ready to provide the model name, number and part name or number.



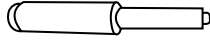
WARNING: This product may contain small components, please ensure they are kept away from small children.

PARTS AND HARDWARE

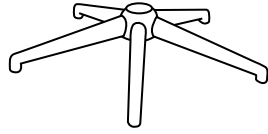
Avoid using sharp objects such as a knife to cut open packing as you may accidentally damage the upholstery.



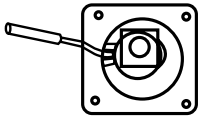
A. Seat
1x



B. Gas Lift
1x



C. Chair Base
1x



D. Seat Plate
1x



E. Wheels
5x



F. 16 mm Bolts
4x

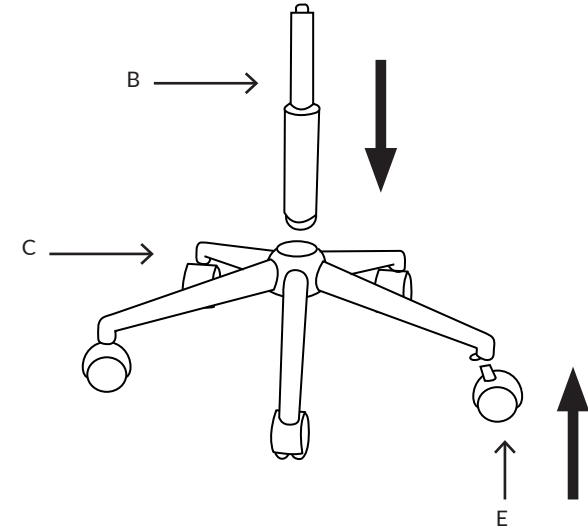


G. Allen Key
1x

ASSEMBLY INSTRUCTIONS

Do not fully tighten bolts until assembly is complete.

- 1** Attach the Gas Lift (B) to Chair Base (C). Then press Wheels (E) into Chair Base (C) until they lock into place.



- 2** Flip over Seat (A). Attach Seat Plate (D) to Seat (A) using 16 mm Bolts (F). Tighten using provided Allen Key (G).

