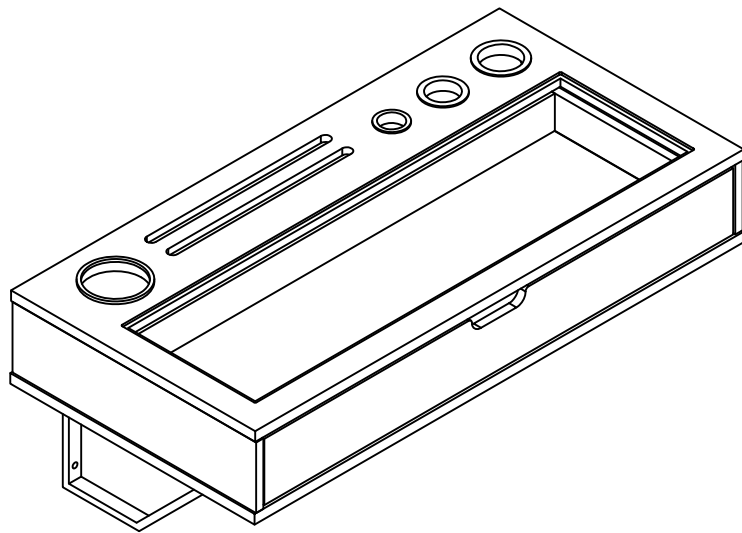


# INSTRUCTION MANUAL



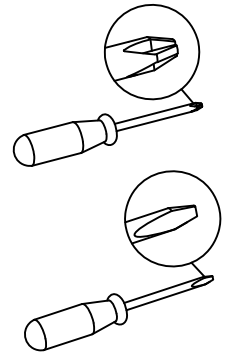
As this item contains many parts, please read the installation instruction carefully before installation and complete the installation with the cooperation of a partner. Please use tools properly and carefully.

# **WARNING**

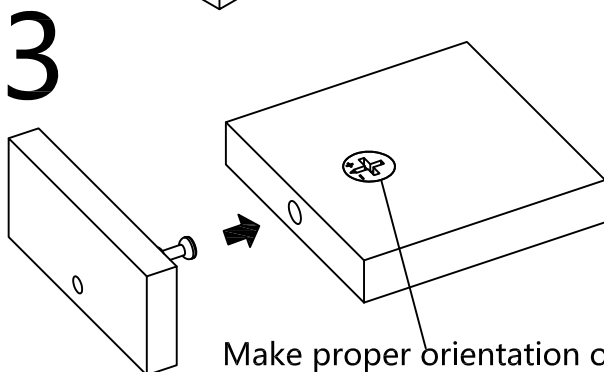
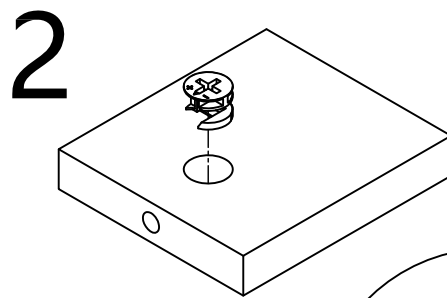
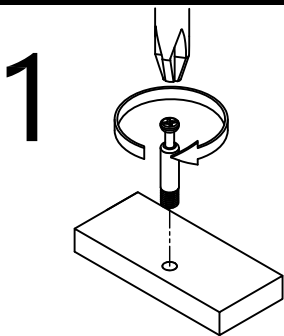
- Do not allow children to climb on unit.
- Serious or fatal crushing injuries can occur from furniture tip-over, To prevent this furniture from tipping over, it must be permanently fixed to the wall.
- Fixing devices for the wall are not included since different wall materials require different types of fixing devices. Use fixing devices suitable for the walls in your home. For advice on suitable fixing systems, contact your local specialized dealer.
- This unit contains small parts which can be swallowed by children and pets. Keep children and pets away during assembly. To avoid danger of suffocation, always keep plastic bags away from children and pets.

## **BEFORE YOU START**

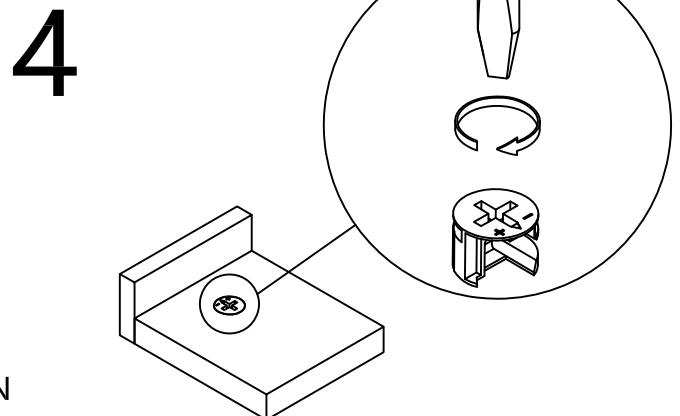
- Separate and count all parts and hardware.
- Have the following tools: Flat head Screwdriver, #2 Philips Head Screwdriver.
- If using a power tool, please be ware to slow down and stop when screw is tight. Failure to do so may result in stripping the screw.
- Requires two people for assembly.



## **CA LOCK FASTENING SYSTEM**

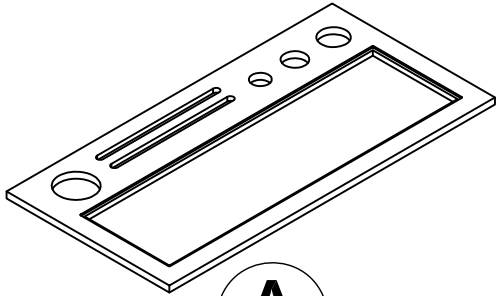


Make proper orientation of CAM LOCK when inserting CAM PIN



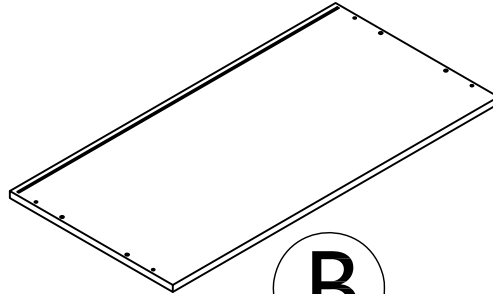
# BOARD IDENTIFICATION

NOT SHOW ACTUAL SIZE



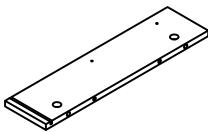
**A**

TOP  
X1



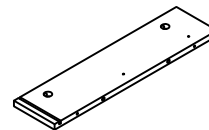
**B**

BOTTOM  
X1



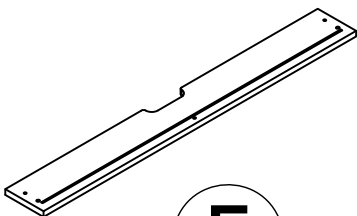
**C**

LEFT SIDE PANEL  
X1



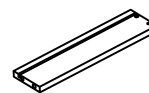
**D**

RIGHT SIDE PANEL  
X1



**E**

DRAWER FRONT  
X1

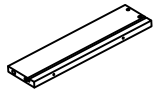


**F**

DRAWER LEFT PANEL  
X1

# BOARD IDENTIFICATION

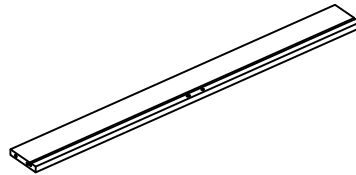
NOT SHOW ACTUAL SIZE



**G**

DRAWER RIGHT PANEL

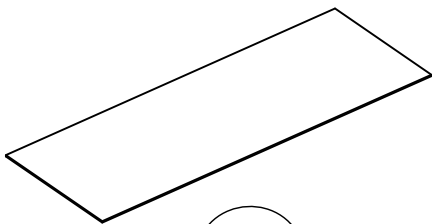
X1



**H**

DRAWER BACK

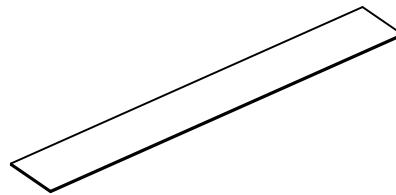
X1



**I**

DRAWER BOTTOM

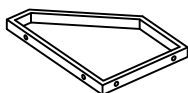
X1



**J**

BACK PANEL

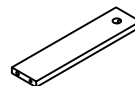
X1



**K**

LOWER FRAME

X2



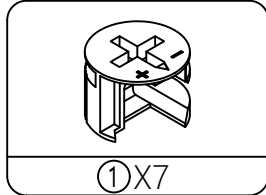
**L**

RAIL

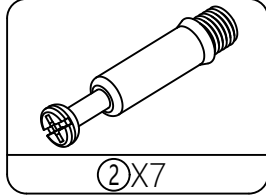
X1

# HARDWARE PART LIST

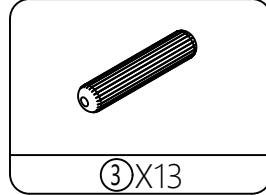
NOT SHOW ACTUAL SIZE



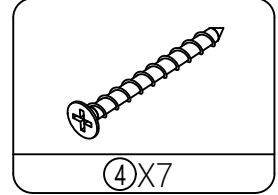
① X7  
CAM LOCK  
ø15\*9.5



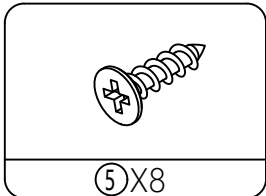
② X7  
CAM BOLT  
ø6.5\*35



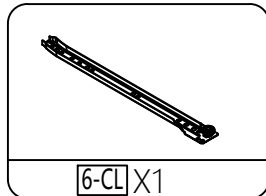
③ X13  
WOOD DOWEL  
ø6\*30



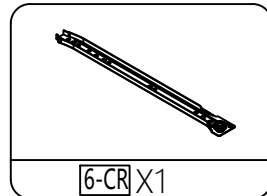
④ X7  
SCREW  
ø4\*35



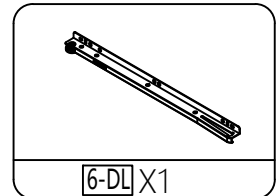
⑤ X8  
SCREW  
ø3.5\*12



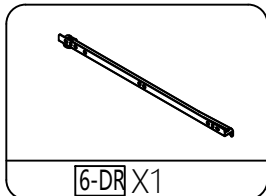
⑥-CL X1  
METAL SLIDE



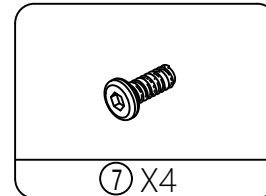
⑥-CR X1  
METAL SLIDE



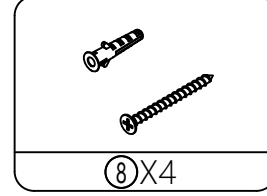
⑥-DL X1  
METAL SLIDE



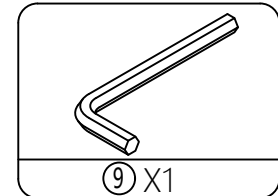
⑥-DR X1  
METAL SLIDE



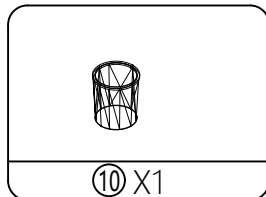
⑦ X4  
SCREW  
M6\*20



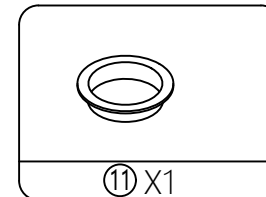
⑧ X4  
ANTI-TIPPING HARDWARE



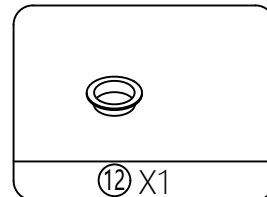
⑨ X1  
HEX KEY  
ø4\*21\*57



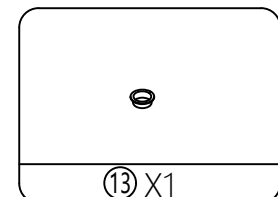
⑩ X1  
ø90\*97\*4



⑪ X1  
ø60\*16



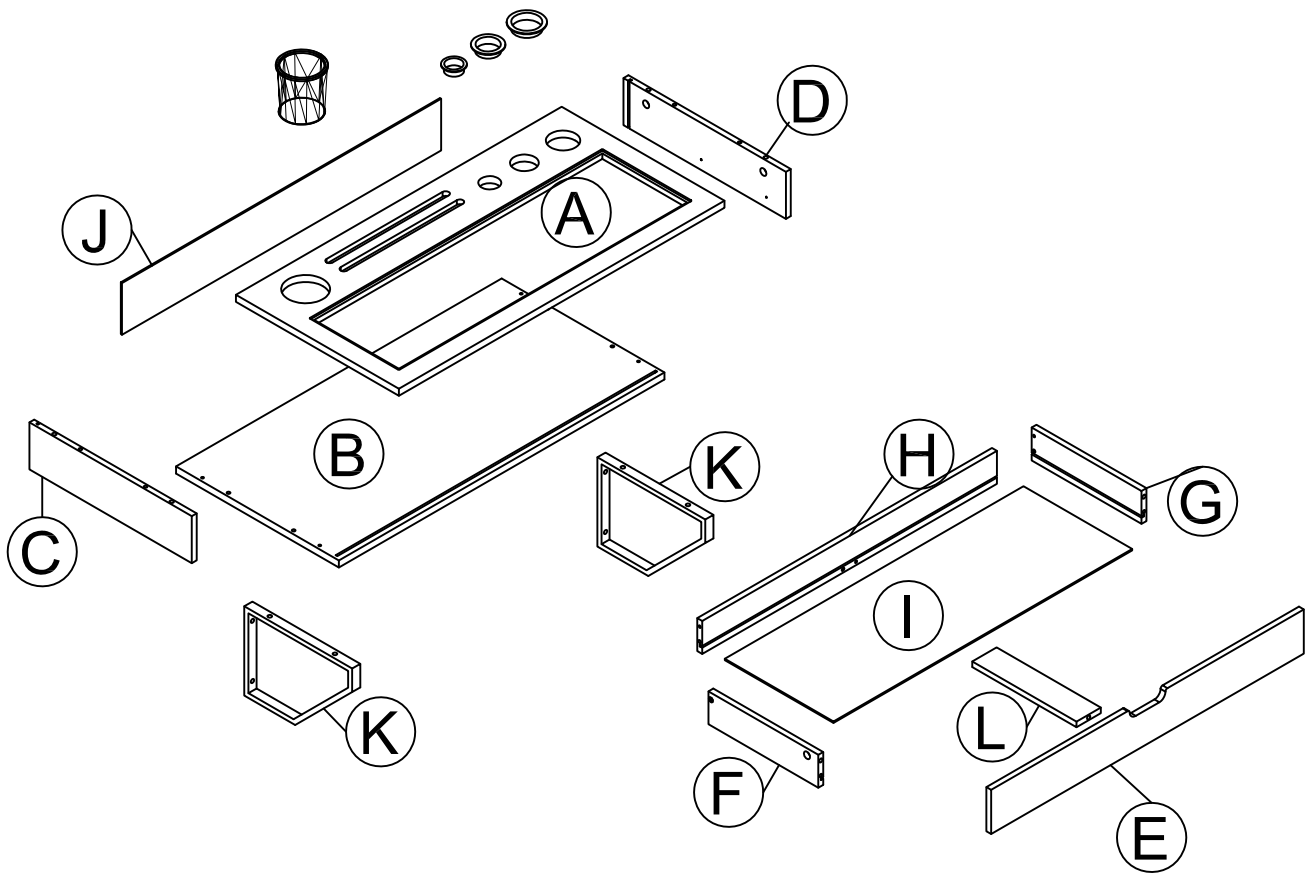
⑫ X1  
ø50\*16



⑬ X1  
ø40\*16

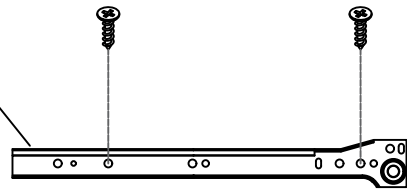
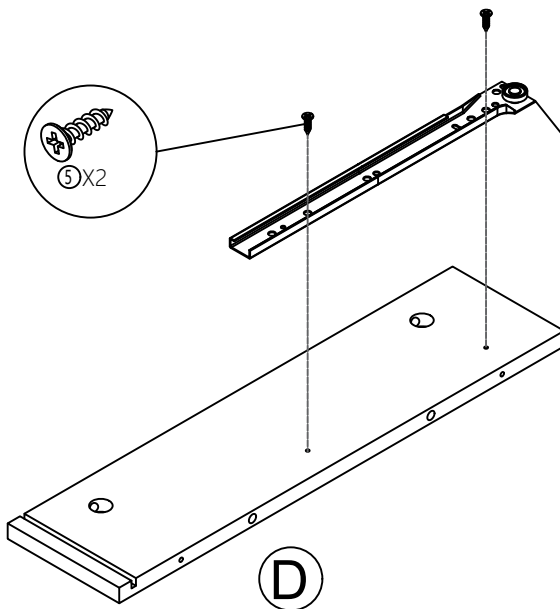
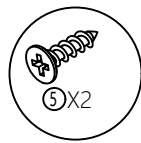
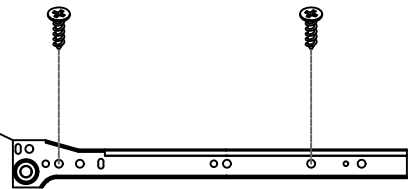
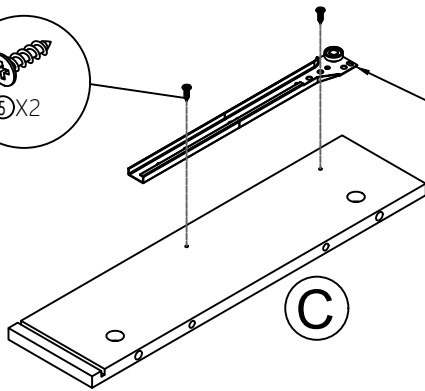
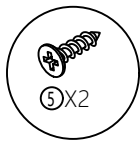
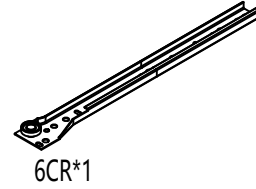
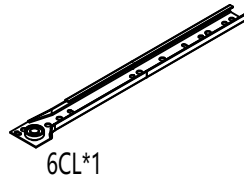
# HARDWARE PART LIST

NOT SHOW ACTUAL SIZE



# STEP 1

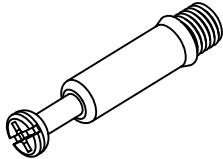
⑤X4



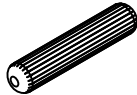
# STEP 2



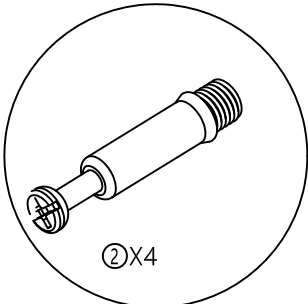
①X4



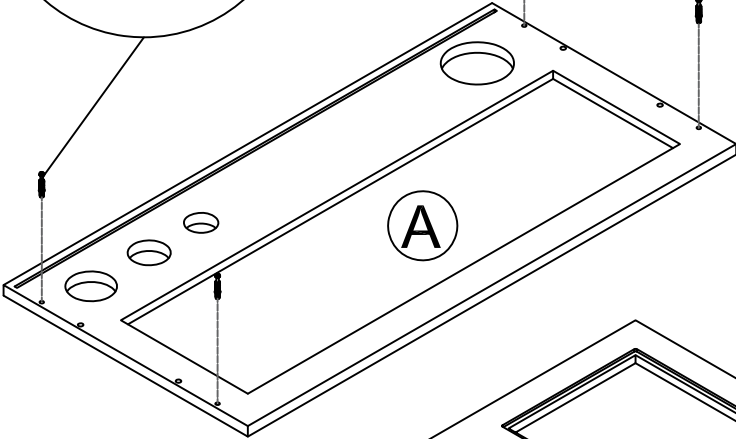
②X4



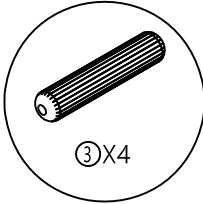
③X4



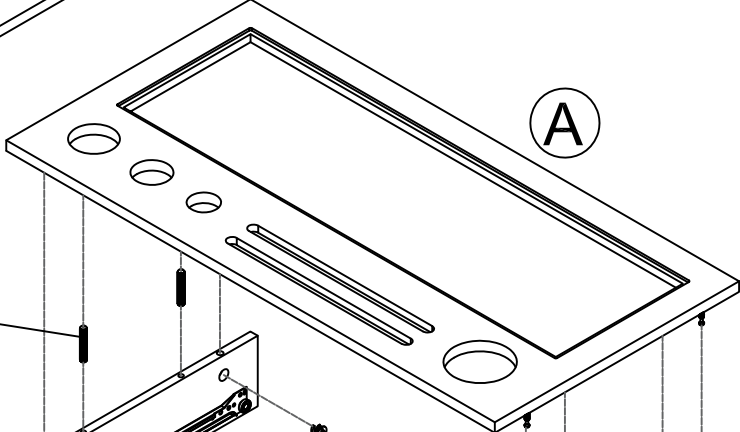
②X4



A



③X4

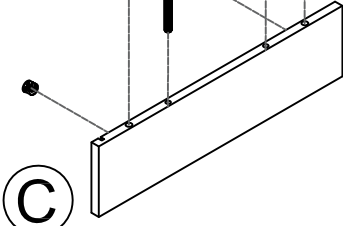


A

D

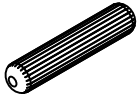


①X4



C

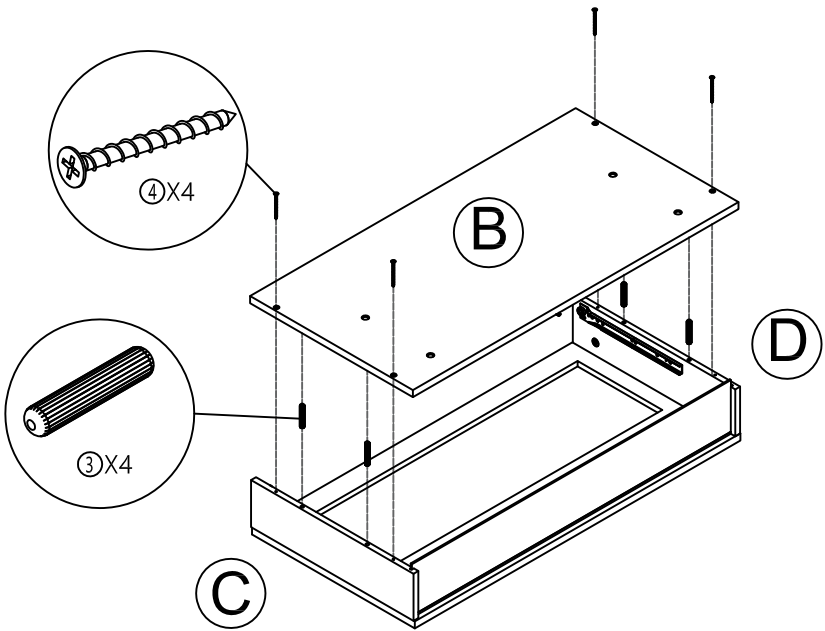
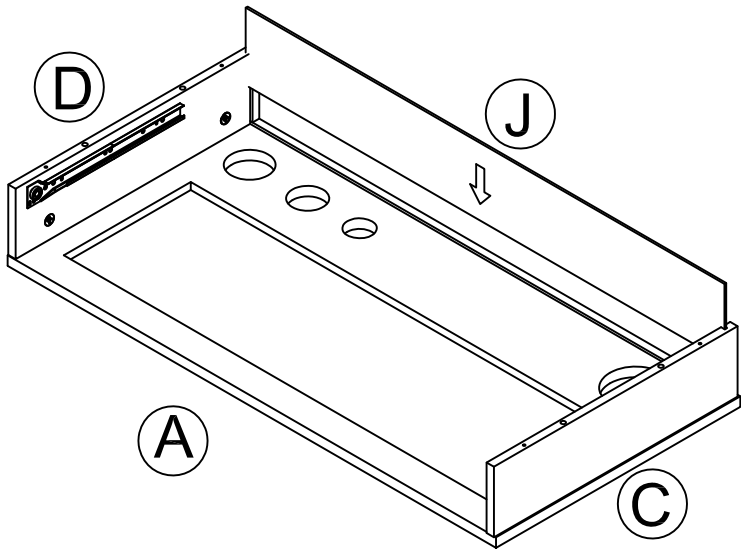
# STEP 3



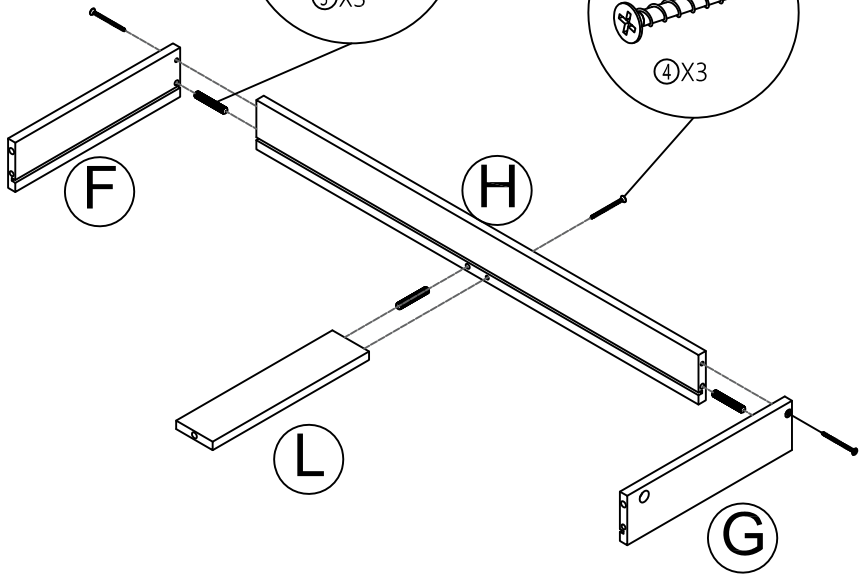
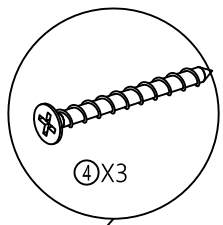
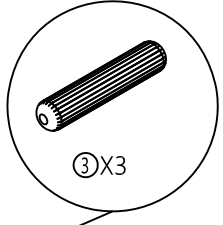
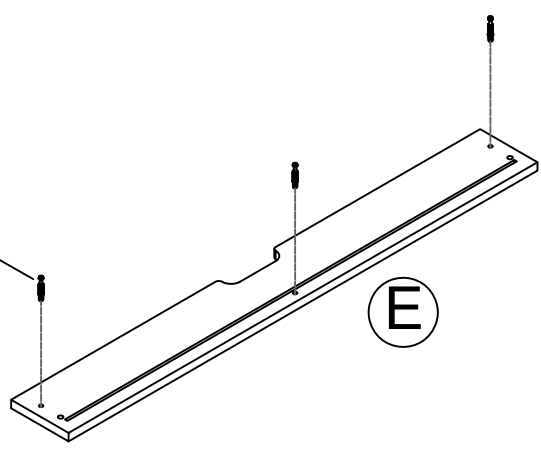
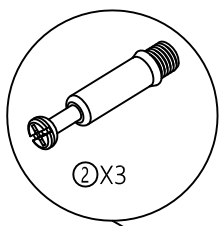
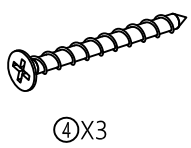
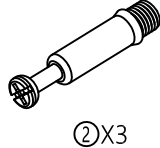
③X4



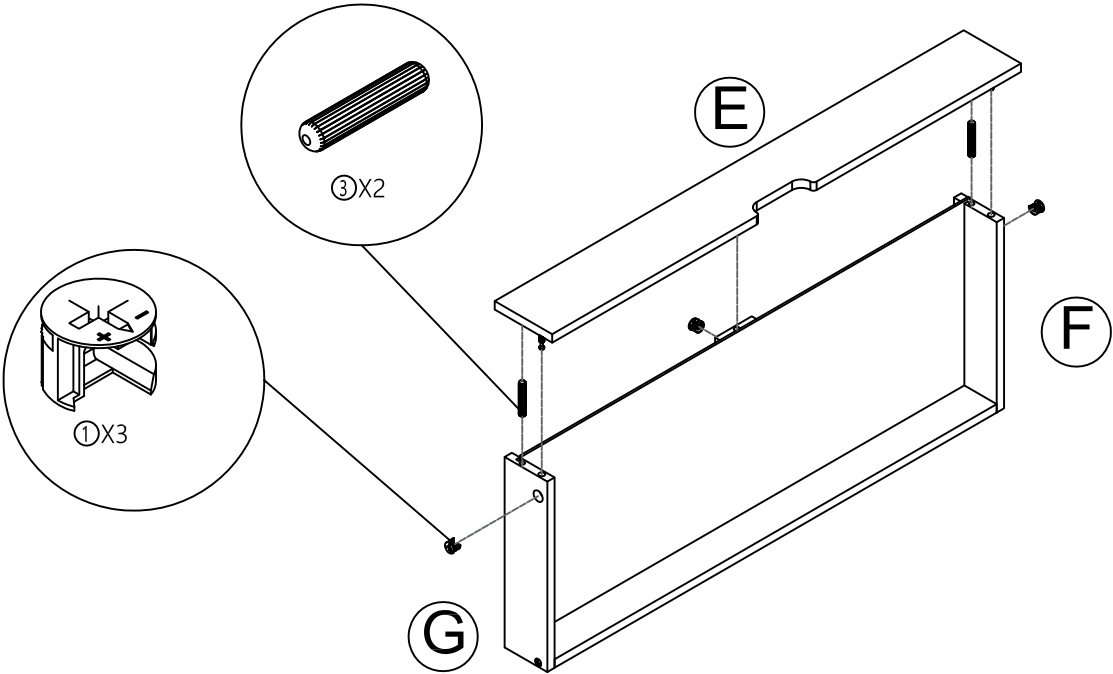
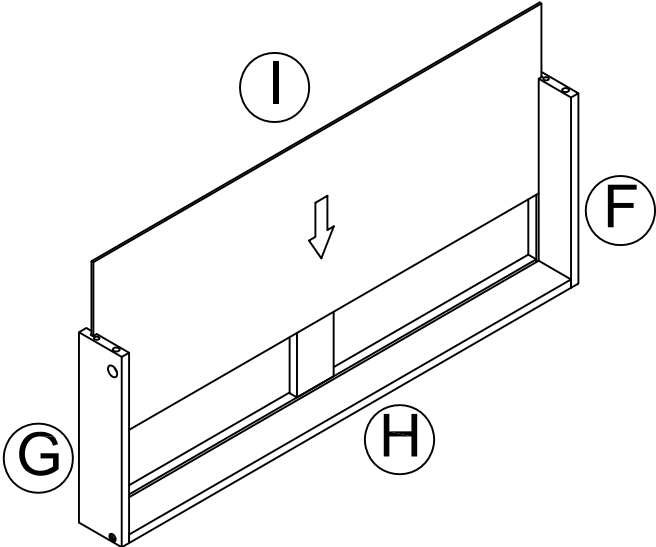
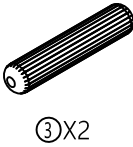
④X4



# STEP 4



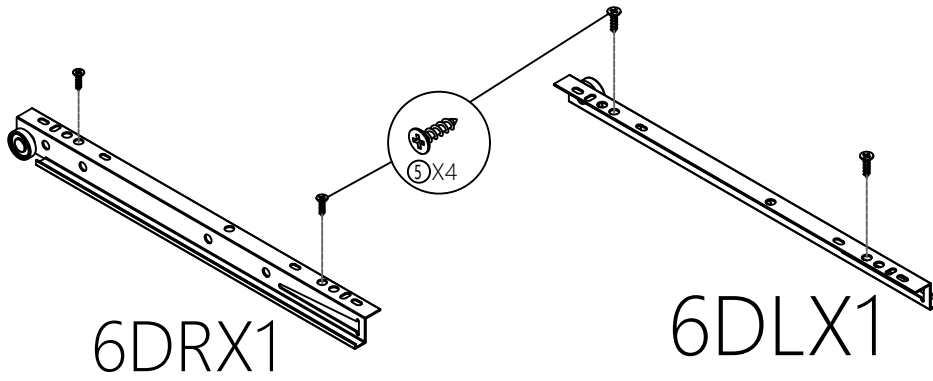
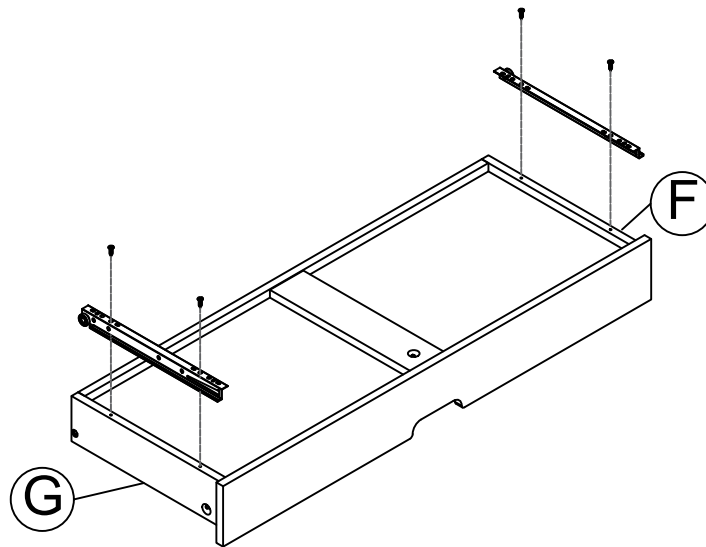
# STEP 5



# STEP 6



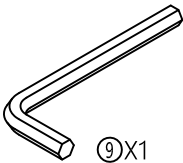
⑤X4



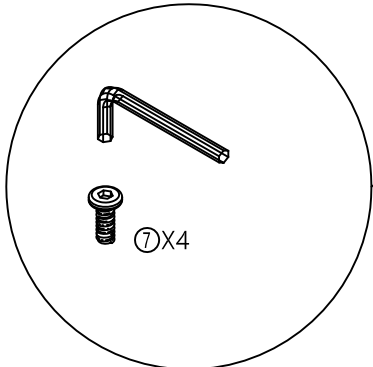
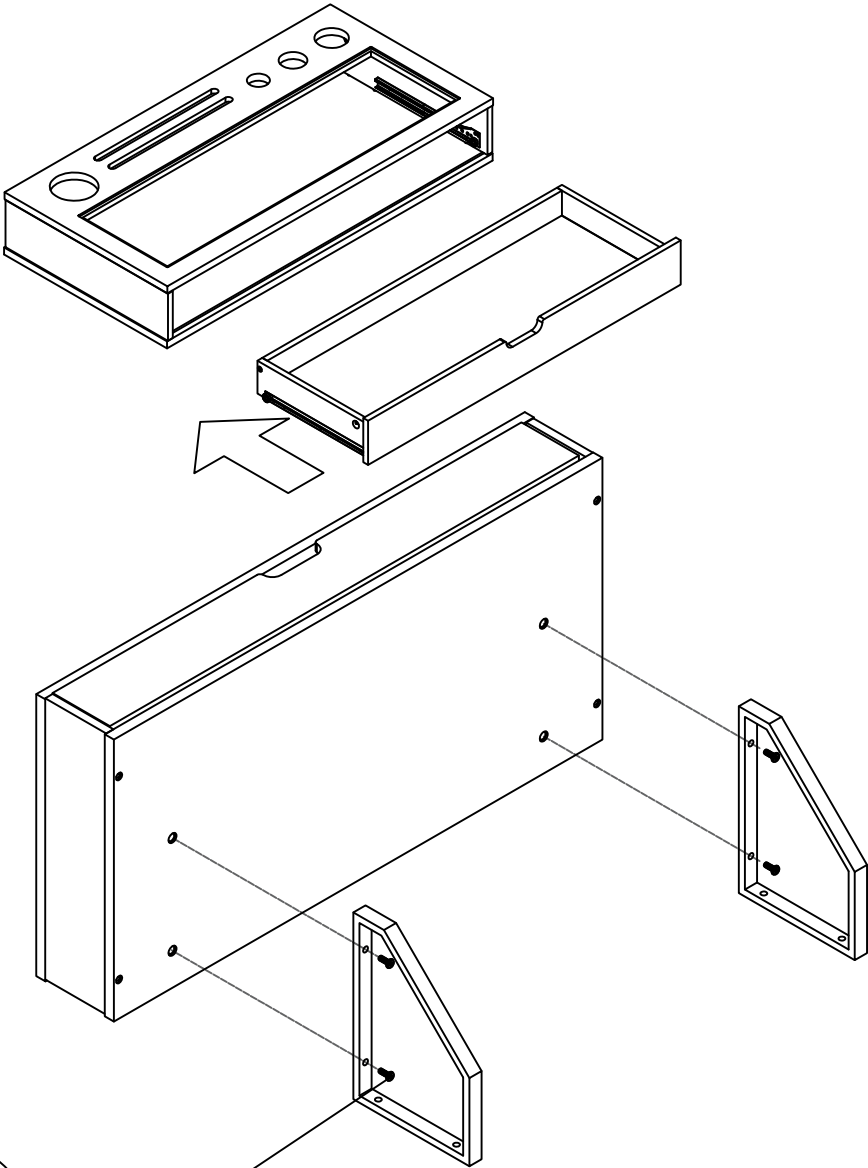
# STEP 7



⑦X4



⑨X1



⑦X4

# STEP 8

