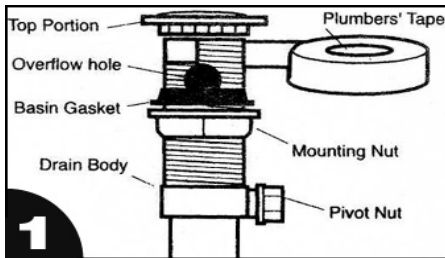
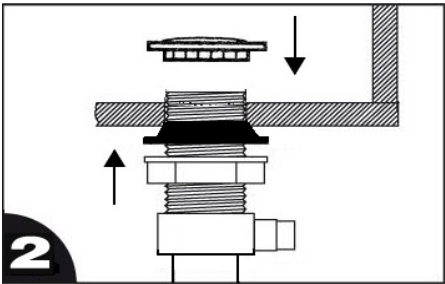


## Popup Drain Installation



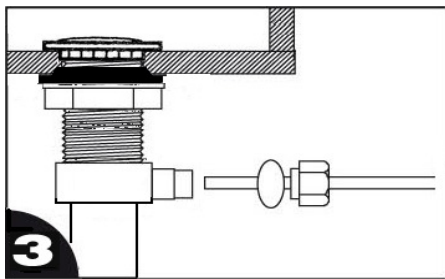
### **1 PREPARATION**

Unscrew the top portion off the drain body and apply plumbers' tape on the top threaded end of the drain body.



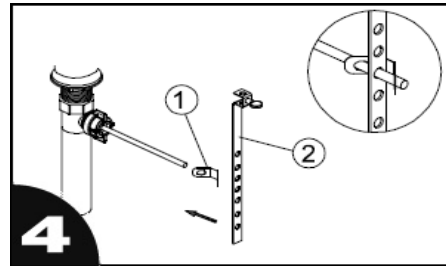
### **2 SECURE POPUP TO SINK**

Insert the drain body from under the sink and screw the top portion onto the drain body. A small amount of silicone might be needed if the sink surface is uneven to seal top portion to sink. Tighten the mounting nut with a wrench.



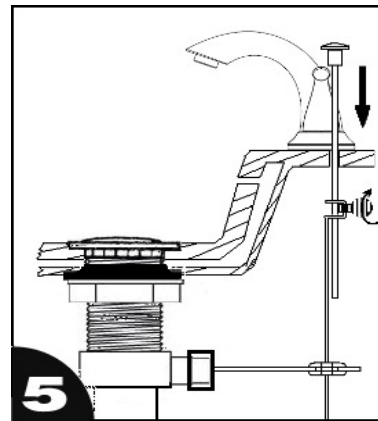
### **3 INSTALL PIVOT ROD**

Insert the pivot rod into drain body and through the hole at the end of plunger. Tighten the pivot nut by hand.



### **4 ATTACH THE LINKER**

Attached the linker to the end of the pivot rod as shown above.



### **5 INSTALL LIFT ROD**

Insert the lift rod from the lift rod hole in the faucet and through both holes in the linker. Adjust the linker position on the pivot rod and the lift rod length that goes into the linker before locking the lift rod onto the linker by tightening down the screw on linker.