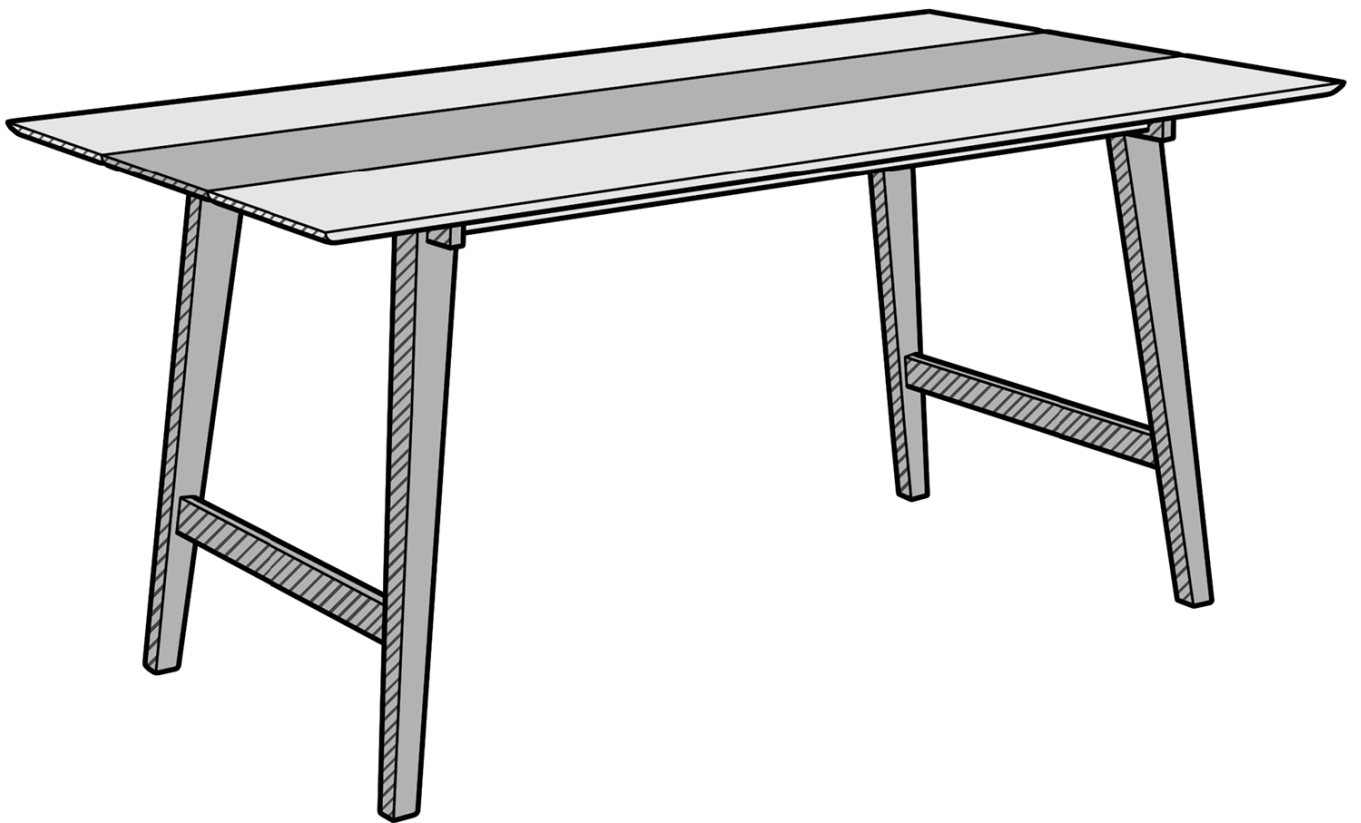
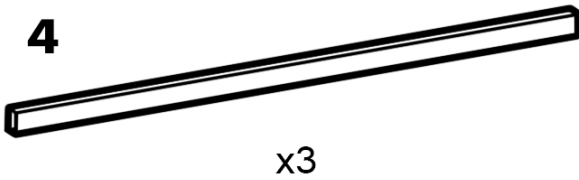
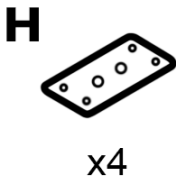
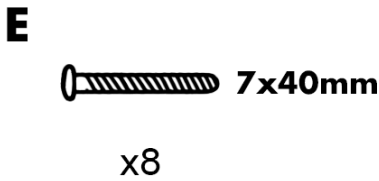
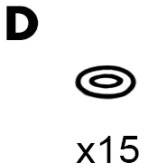
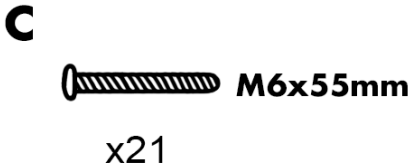
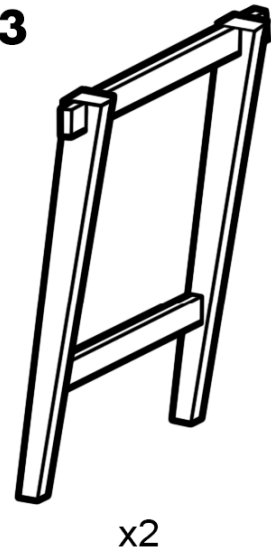
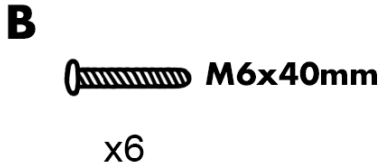
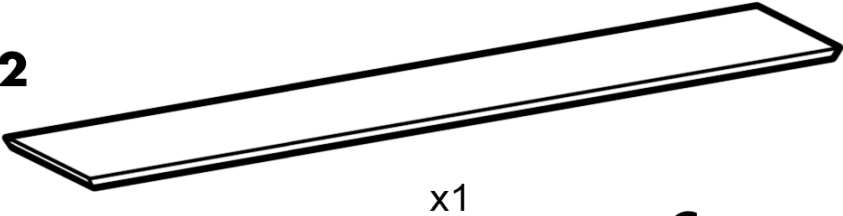
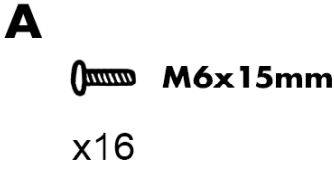
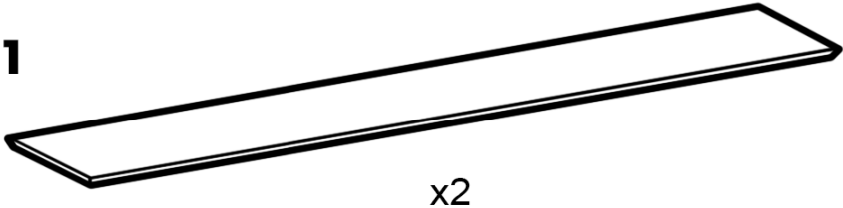


INSTRUCTION MANUAL

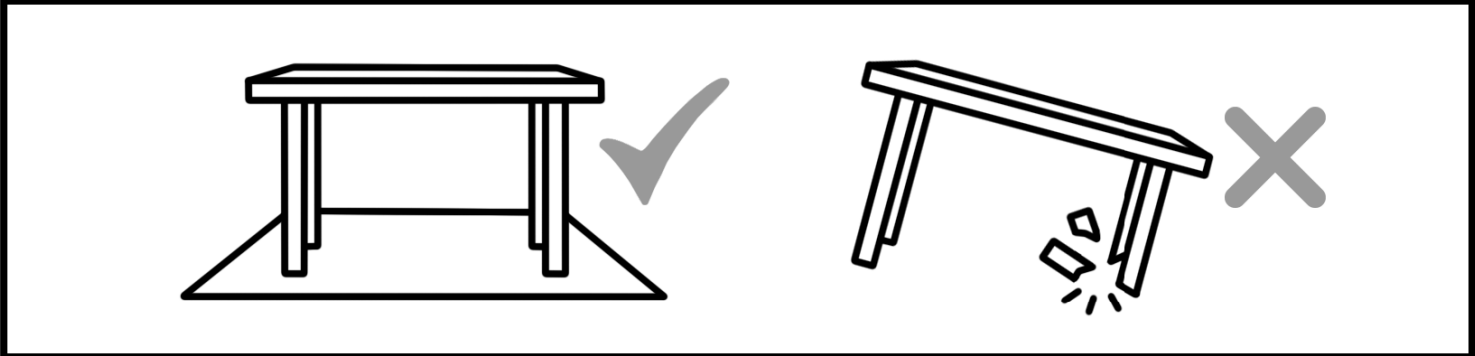


Instructions side 1

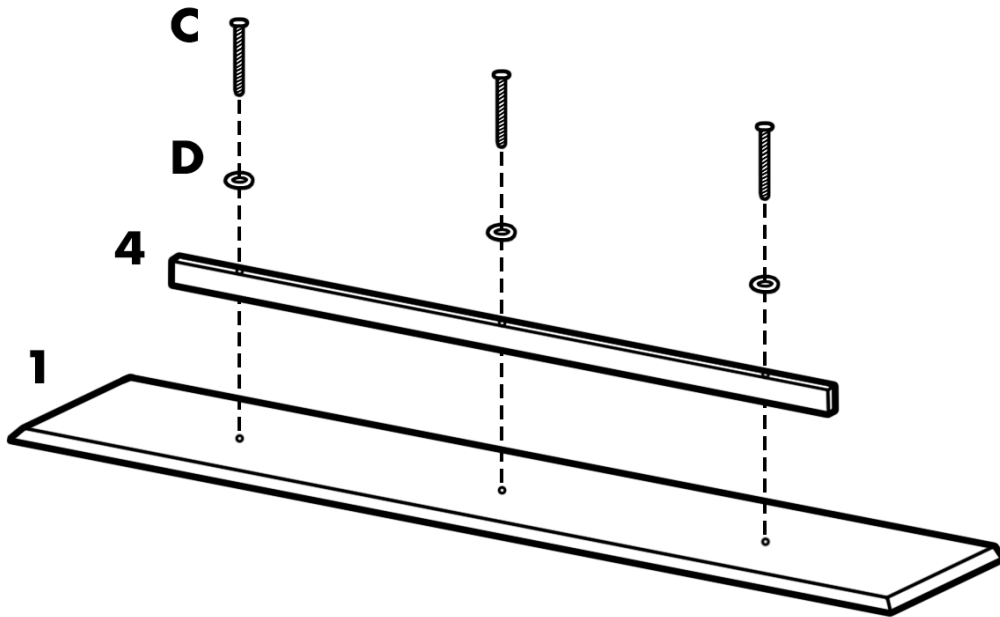
2 people recommended for assembly



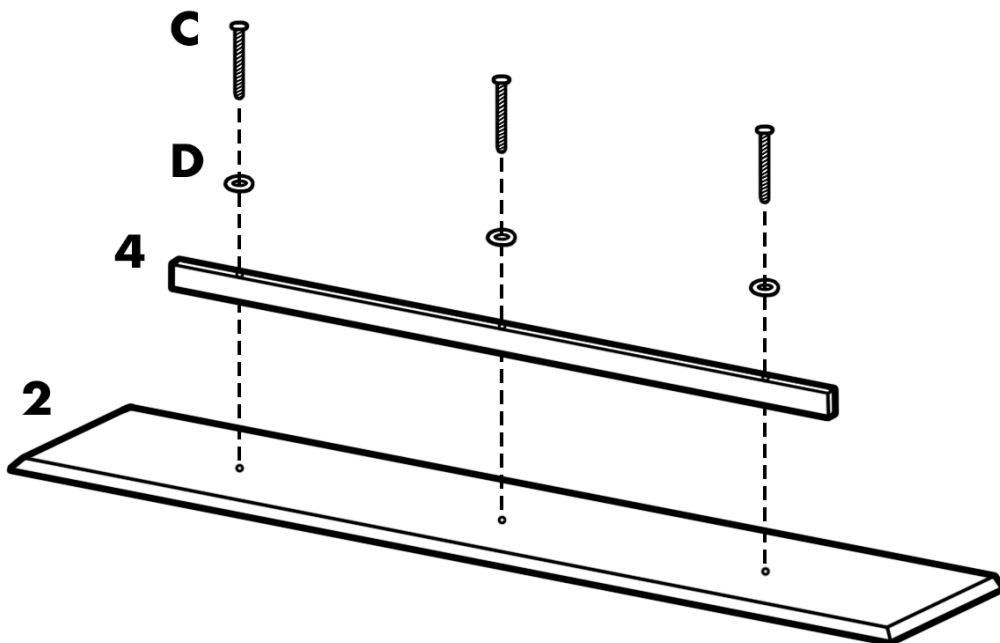
Advice: A mat should be put down to avoid damage to the product or people around



1 Screw supports (4) onto underside of tabletops (1)



2 Screw support (4) onto underside of tabletop (2)



Parts needed for step 1:

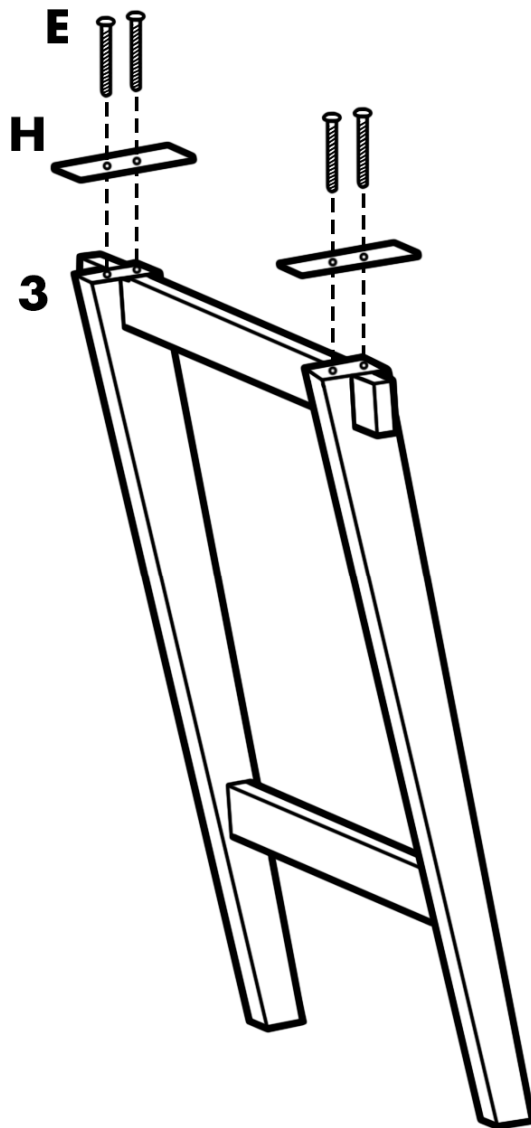
Tabletop (1)	x2
Support (4)	x2
Screws (C)	x6
Washers (D)	x6

Parts needed for step 2:

Tabletop (2)	x1
Support (4)	x1
Screws (C)	x3
Washers (D)	x3

Instructions side 2

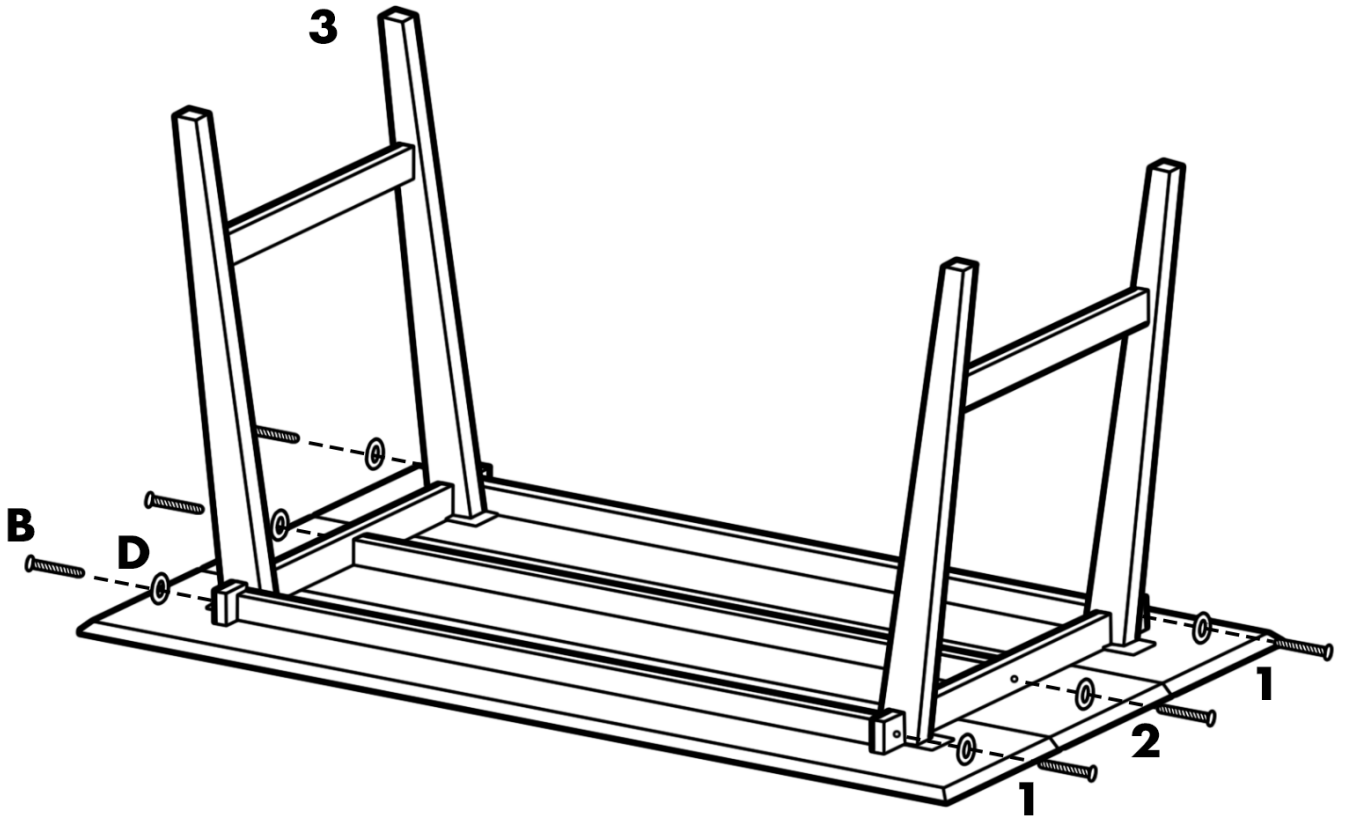
- 3** Screw metal plates (H) to top of legs (3)



Parts needed for step 3:

Legs (3)	x2
Metal plate (H)	x4
Screws (E)	x8

4 Screw table legs (3) to supports (4)

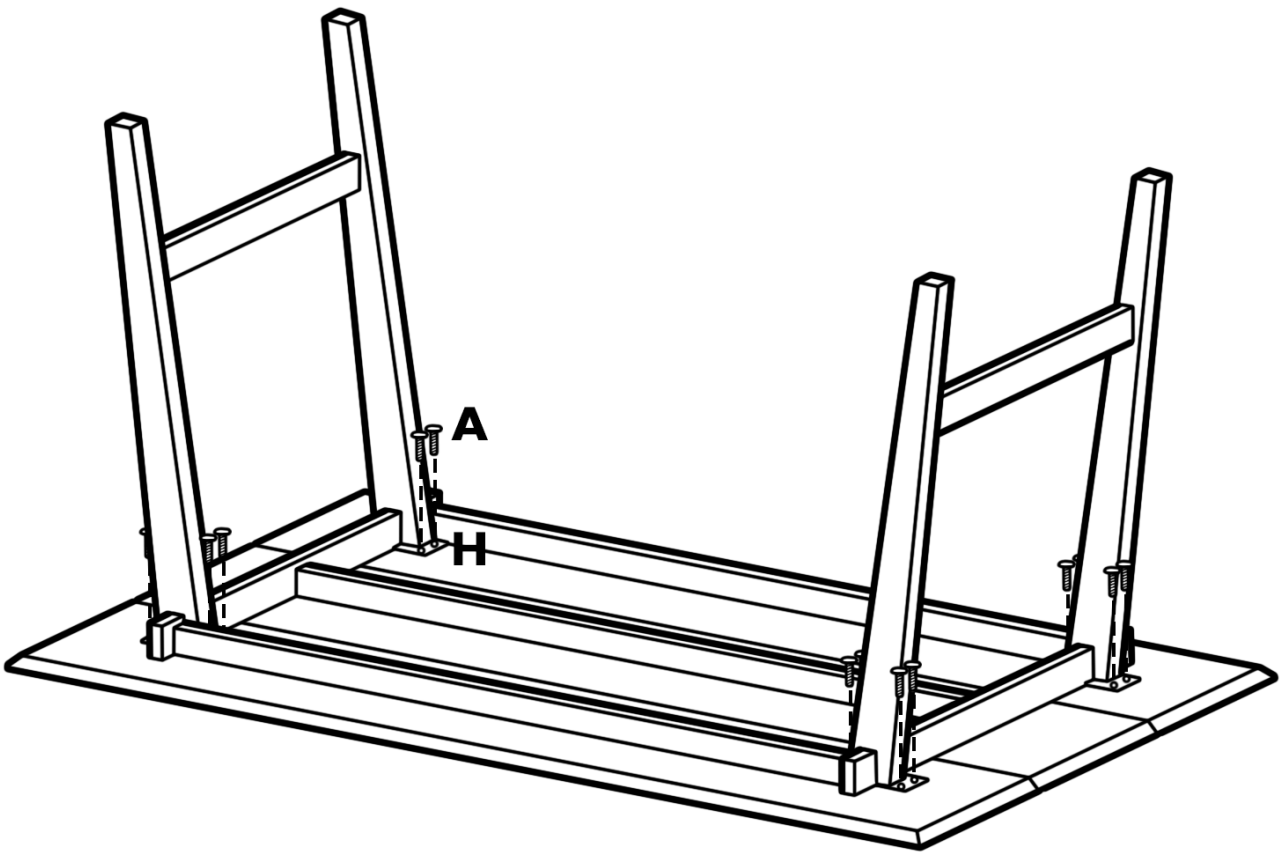


Parts needed for step 4:

Completed step 1	x2	Screws (B)	x6
Completed step 2	x1	Washers (D)	x6
Completed step 3	x2		

Instructions side 3

- 5** Screw metal plates (H) to underside of tabletop

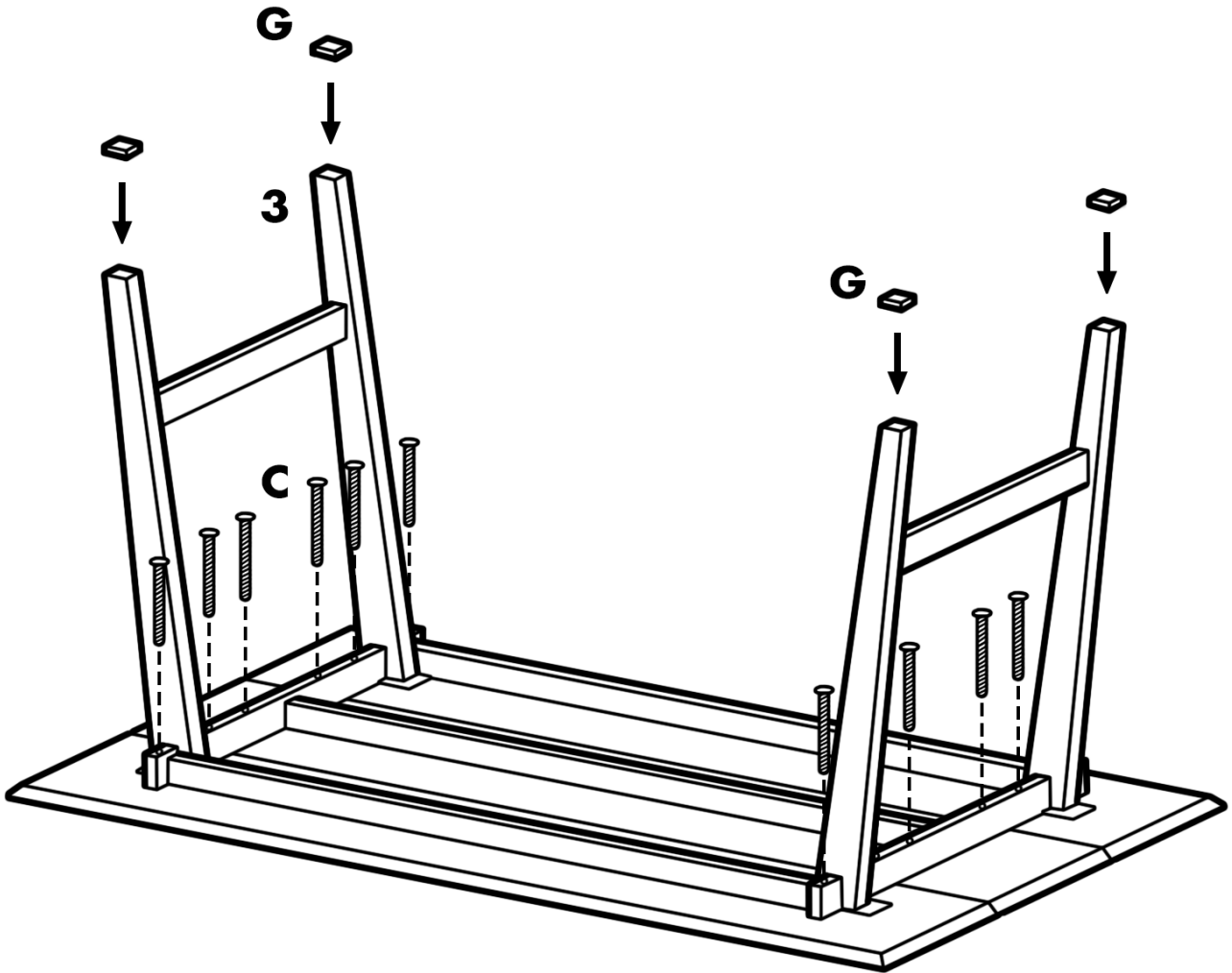


Parts needed for step 5:

Completed step 4	x1
Screws (A)	x16

6

Screw legs (3) to underside of tabletop. Then attach feet (G) to bottom of legs (3)



Parts needed for step 6:

Completed step 5	x1
Screws (C)	x12
Feet (G)	x4