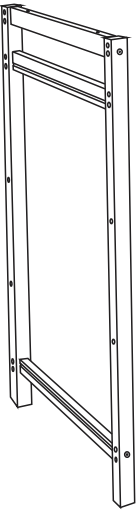
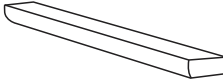


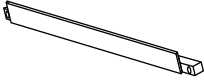

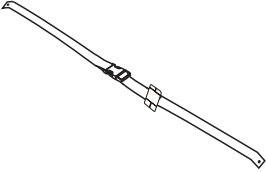
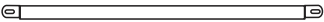


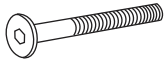

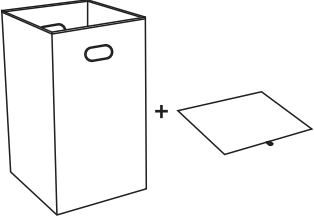
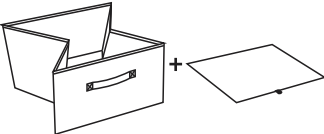


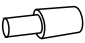
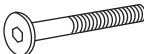
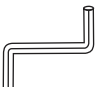
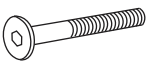
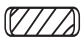

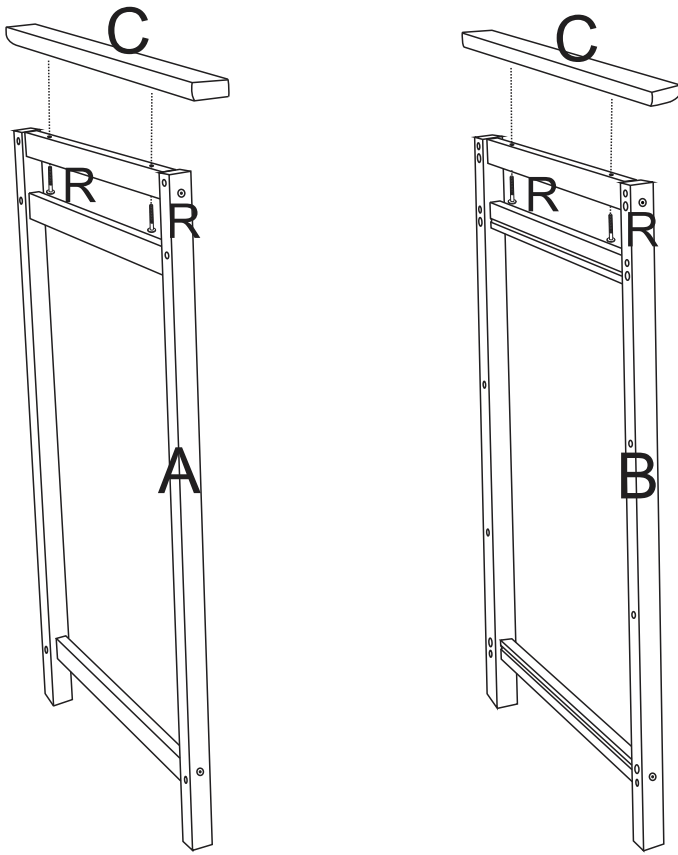
 <p>Ax1 LEFT SIDE PANEL</p>	 <p>Bx1 RIGHT SIDE PANEL</p>	 <p>Cx2 SIDE COPINGS</p>	 <p>Dx2 (DR&DF) TOP RAILS - Rear and Front</p>
 <p>Gx2 VERTICAL POSTS</p>	 <p>H1x2 LEFT BASKET TRACKS -TOP/MIDDLE</p>	 <p>ITx1 TOP SHELF PANEL</p>	 <p>Jx1 SAFETY BELT</p>
 <p>Kx1 METAL SUPPORT BAR</p>	 <p>H2x2 RIGHT BASKET TRACKS -TOP/MIDDLE</p>	 <p>IBx1 BOTTOM SHELF PANEL</p>	 <p>Ox12 ∅ 6x58mm</p>
 <p>Lx1 CHANGING PAD</p>	 <p>Mx1 FOLDING HAMPER & BOTTOM PANEL</p>	 <p>Nx3 BASKET BODY & BOTTOM PANELS</p>	 <p>Px12 ∅ 6x12mm</p>
 <p>Qx2 ∅ 4x20mm</p>	 <p>Sx12 PLASTIC PEG</p>	 <p>Ux8 ∅ 6x40mm</p>	 <p>ALLEN WRENCH SAVE THIS WRENCH FOR FUTURE USE!</p>
 <p>Rx4 ∅ 6x45mm</p>	 <p>Tx4 WOOD PEG</p>	 <p>TOOL REQUIRED (NOT INCLUDED)</p>	

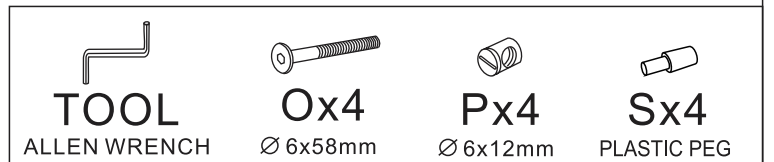
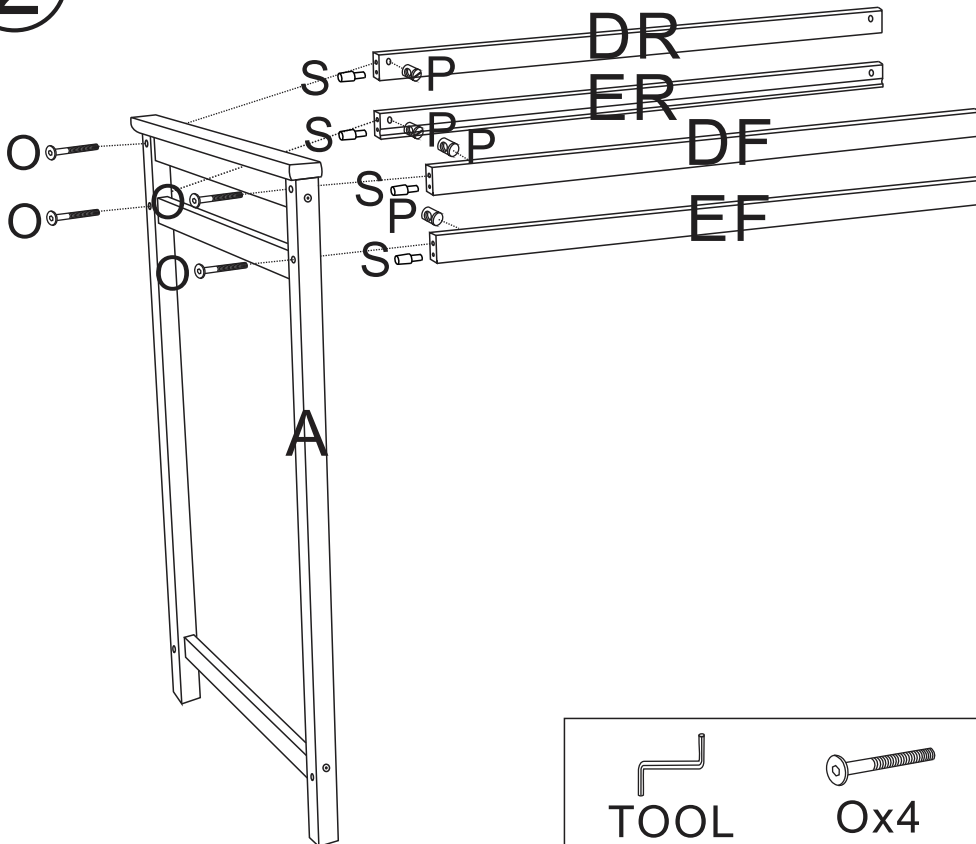
1



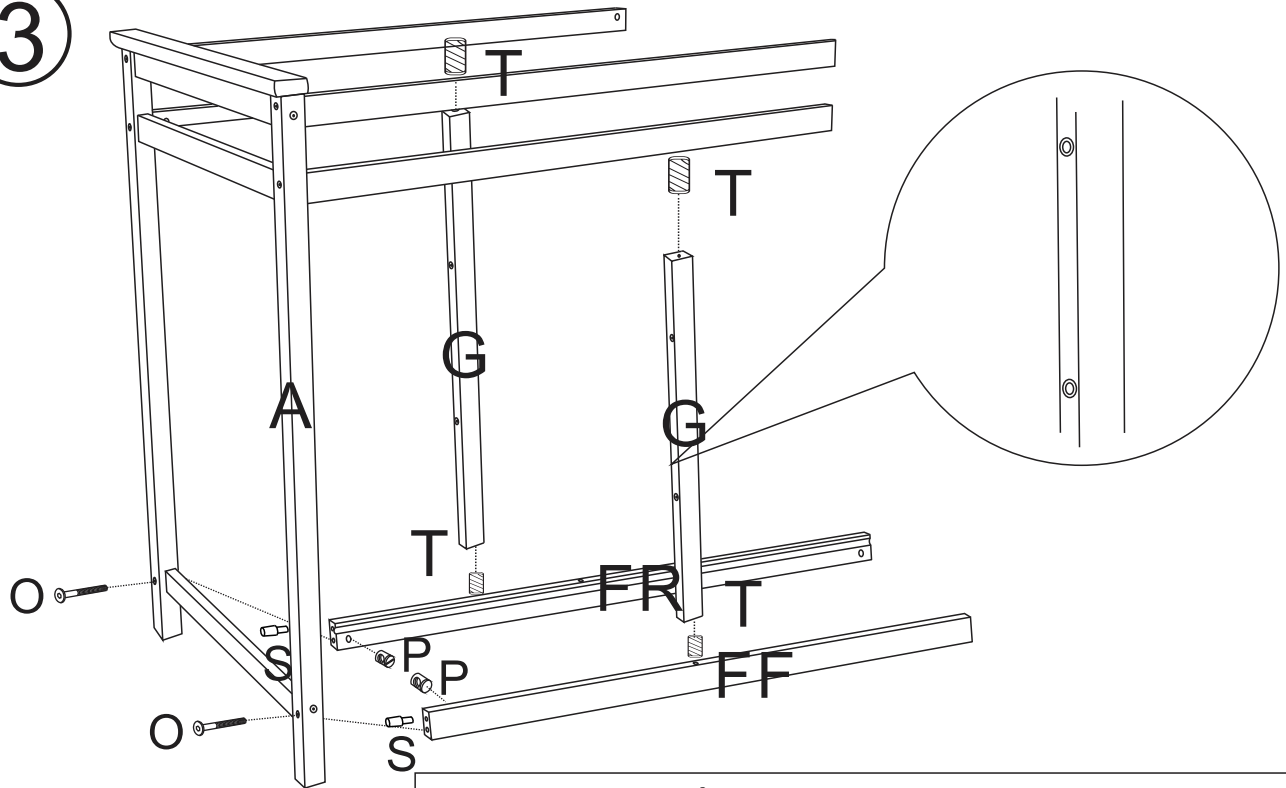
PLEASE REVIEW ALL
STEPS PRIOR TO
BEGINNING SO YOU
WILL BE FAMILIAR WITH
ALL PARTS AND THEIR
FINAL POSITIONS.



2

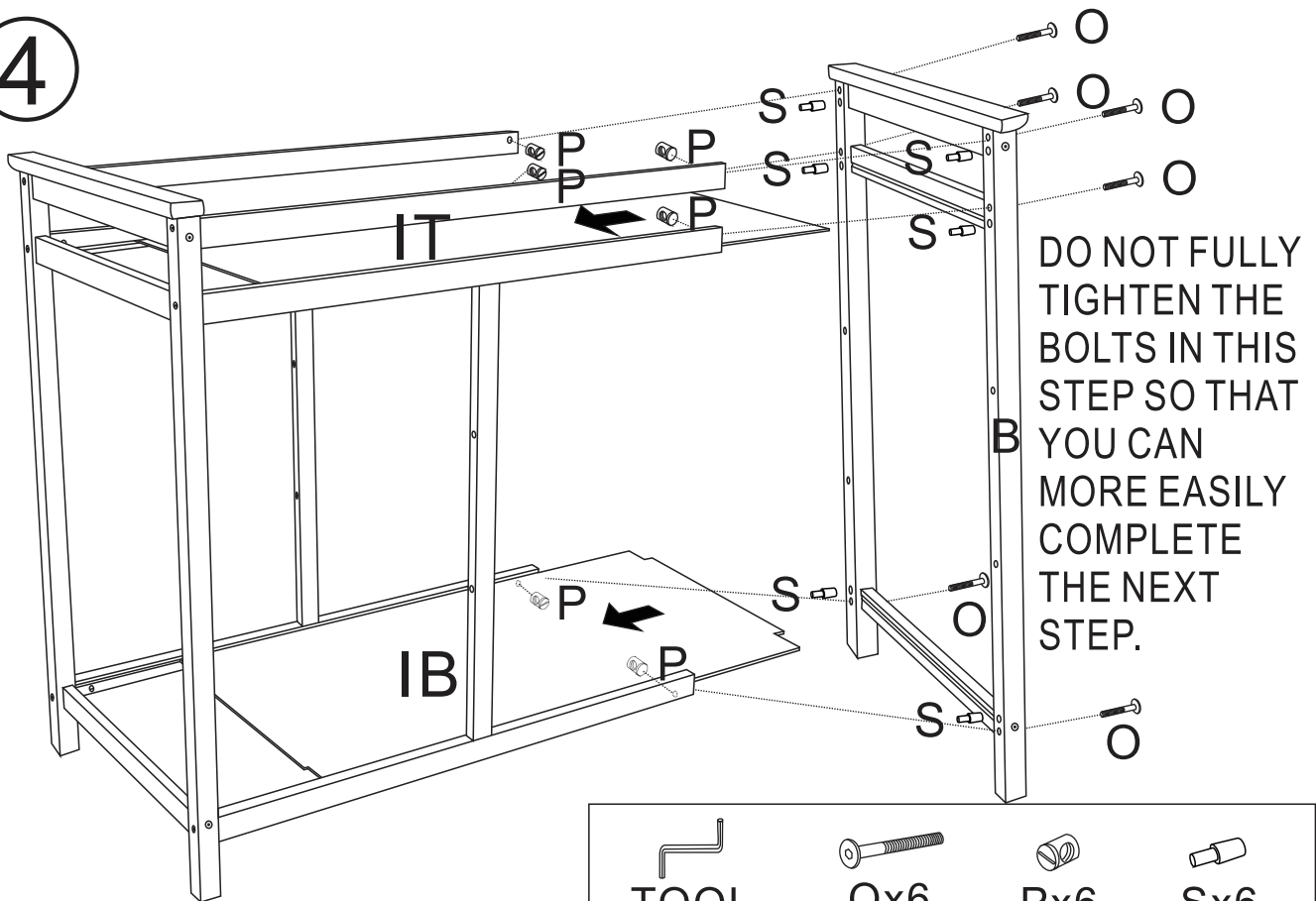


3



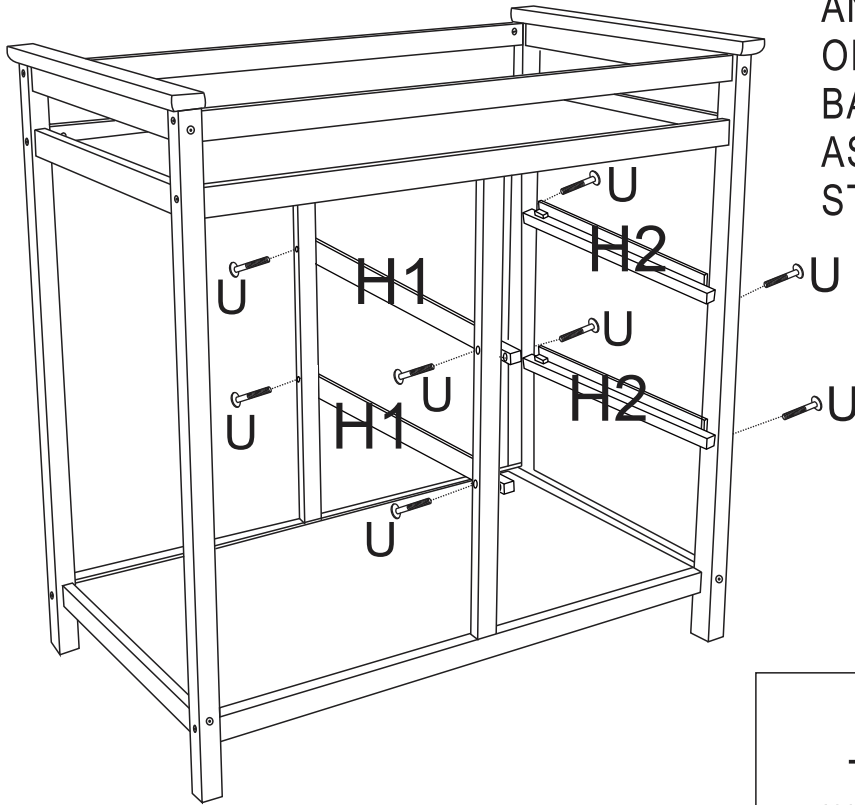
- | | | | | |
|---|---|--|---|---|
|  |  |  |  |  |
| Tx4 | TOOL | Ox2 | Px2 | Sx2 |
| WOOD PEG | ALLEN WRENCH | Ø6x58mm | Ø6x12mm | PLASTIC PEG |

4



- | | | | |
|---|--|---|---|
|  |  |  |  |
| TOOL | Ox6 | Px6 | Sx6 |
| ALLEN WRENCH | Ø6x58mm | Ø6x12mm | PLASTIC PEG |

5

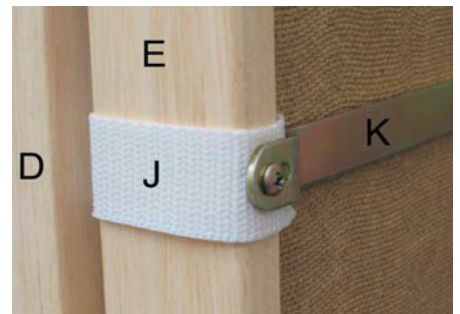
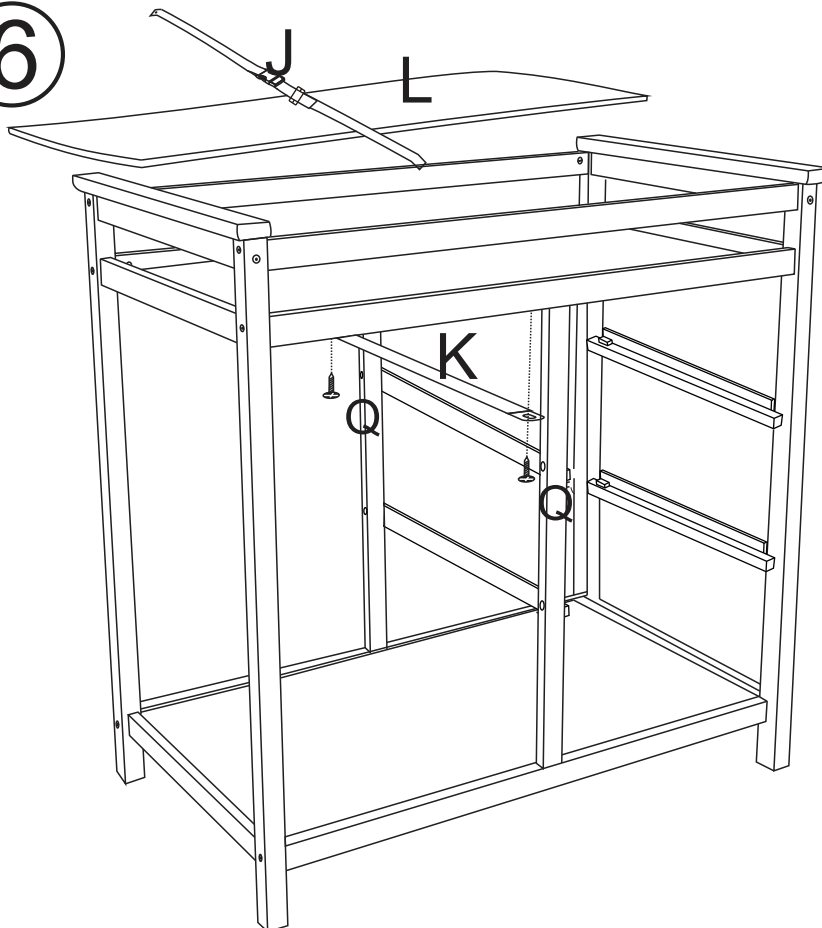


AFTER COMPLETING THIS STEP, GO BACK AND TIGHTEN ALL OF THE BOLTS AND BARREL NUTS YOU ASSEMBLED IN STEP 4.


TOOL
ALLEN WRENCH


Ux8
Ø 6x40mm

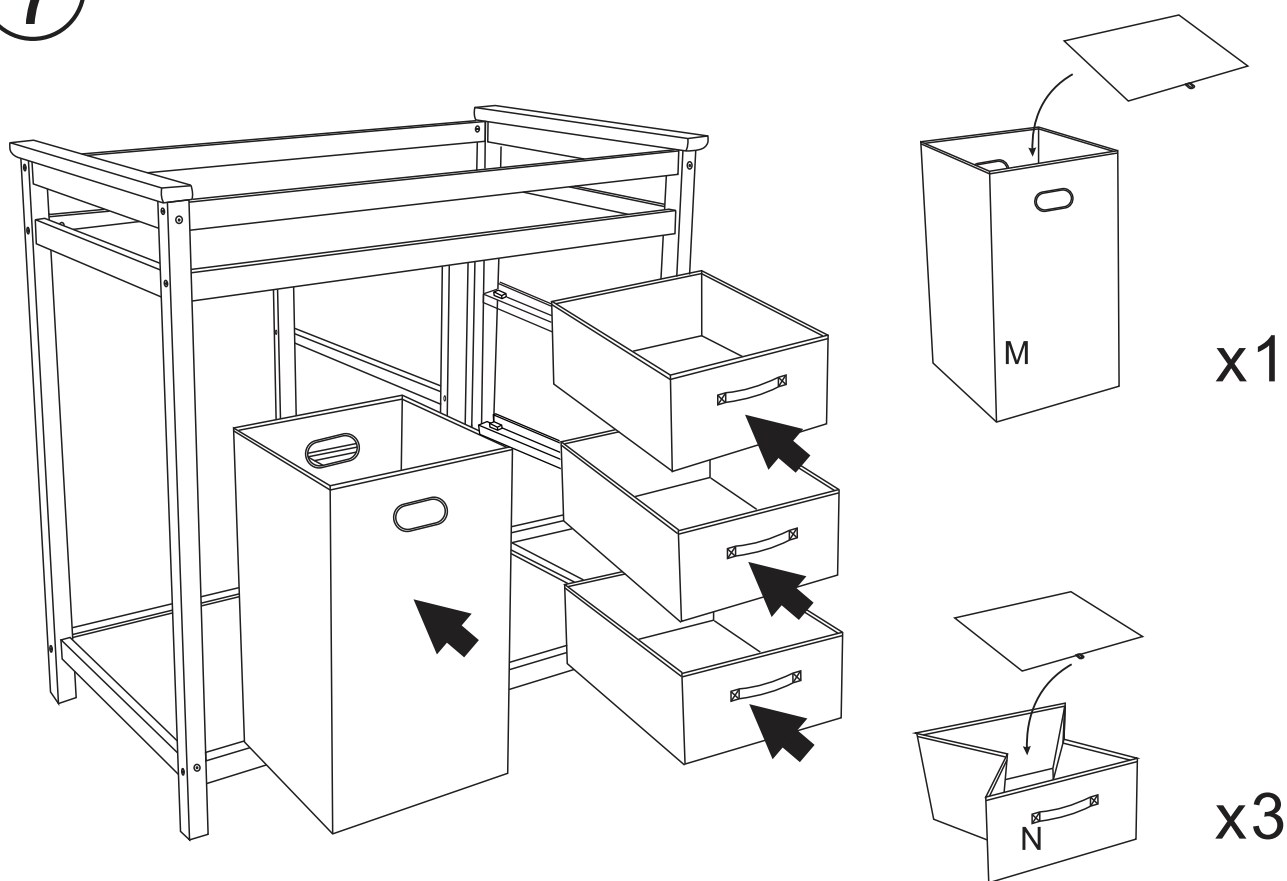
6




TOOL
(NOT INCLUDED)


Qx2
Ø 4x20mm

7



BUCKLE CHILD SECURELY USING THE SAFETY BELT WHENEVER CHILD IS ON THE TABLE. UNCLIP AND SEPARATE THE BUCKLE BY SQUEEZING THE TABS ON THE SIDES TO RELEASE THE BUCKLE TONGUE FROM THE BUCKLE. PLACE CHILD ONTO CHANGING SURFACE AND SNAP THE BUCKLE AND BUCKLE TONGUE BACK TOGETHER. KEEP CHILD'S SKIN/BODY CLEAR OF THE BUCKLE WHEN SNAPPING AND UNSNAPPING TO PREVENT INJURY. BUCKLE IS NOT SECURELY FASTENED UNLESS YOU HEAR AN AUDIBLE "CLICK" TO INDICATE THE PARTS HAVE CONNECTED SECURELY TOGETHER.

NEVER ALLOW CHILD TO STAND UP ON THE TABLE DUE TO RISK OF FALLS AND INJURY OR DEATH. NEVER USE THE TABLE WITHOUT THE SAFETY BELT AND METAL SUPPORT BAR IN PLACE.

ALWAYS SECURE THE CHANGING PAD TO THE CHANGING SURFACE BY PLACING IT ONTO THE TOP SHELF AND ENSURING THAT IT'S UNDERNEATH, NOT ON TOP OF, THE SAFETY BELT.