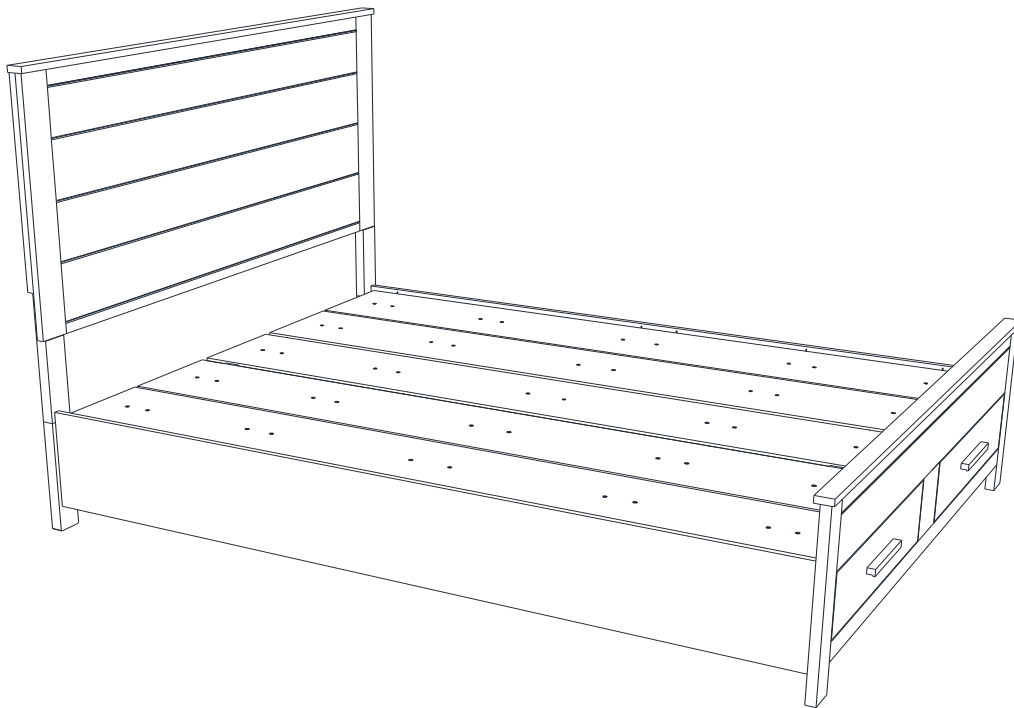


# ASSEMBLY INSTRUCTIONS



*Fine Furniture for every stage of life*

**(B1-B3)**  
**Queen Storage Bed**

# ASSEMBLY INSTRUCTIONS

## ASSEMBLY TIPS:

1. Remove hardware from box and sort by size.
2. Please check to see that all hardware and parts are present prior to start of assembly.
3. Please follow attached instructions in the same sequence as numbered to assure fast & easy assembly.



### WARNING!

1. Don't attempt to repair or modify parts that are broken or defective. Please contact the store immediately.
2. This product is for home use only and not intended for commercial establishments.



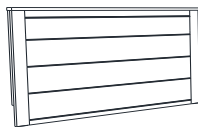
ASSEMBLY TIME

20 MINUTES

## PARTS IDENTIFICATION

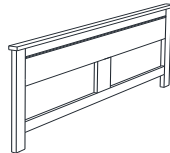
### B1 ( BOX 1 )

A HEADBOARD PANEL



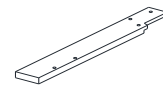
1PC

B FOOTBOARD FRAME



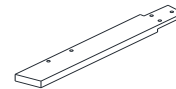
1PC

C RIGHT HEADBOARD LEG



1PC

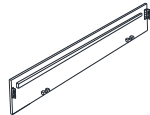
D LEFT HEADBOARD LEG



1PC

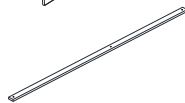
### B2 ( BOX 2 )

E BED RAIL



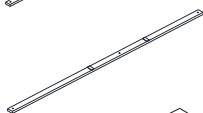
2PCS

F BED SLAT



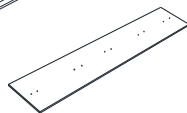
3PCS

G BED SLAT WITH MARKING



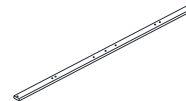
2PCS

H CONCEAL PANEL



5PCS

I DRAWER BOTTOM TRESTLE BAR



1PC

J DRAWER SUPPORT RAIL



2PCS

K BED SLAT SUPPORT WITH LEVELER DRAWER



5PCS

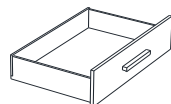
L SUPPORT LEG WITH LEVELER



1PC

### B3 ( BOX 3 )

M DRAWER BOX



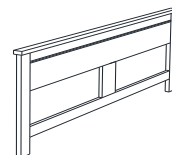
2PCS

HB HEADBOARD COMPLETE



1PC

B FOOTBOARD FRAME



1PC

# ASSEMBLY INSTRUCTIONS

## ASSEMBLY TIPS:

1. Remove hardware from box and sort by size.
2. Please check to see that all hardware and parts are present prior to start of assembly.
3. Please follow attached instructions in the same sequence as numbered to assure fast & easy assembly.







## WARNING!





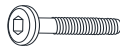



1. Don't attempt to repair or modify parts that are broken or defective. Please contact the store immediately.
2. This product is for home use only and not intended for commercial establishments.

## HARDWARE IDENTIFICATION

### Z-B1 (BOX 1) - HARDWARE PACK IS LOCATED IN (B1)

1	<b>BOLT</b> (M6 x 30mm - BLK)		6PCS	3	<b>FLAT WASHER</b> (1/4" ID x 13mm - BLK)		6PCS
2	<b>LOCK WASHER</b> (1/4" - BLK)		6PCS	4	<b>ALLEN WRENCH</b> (M4 x 60mm - BLK)		1PC

### Z-B2 (BOX 2) - HARDWARE PACK IS LOCATED IN (B2)

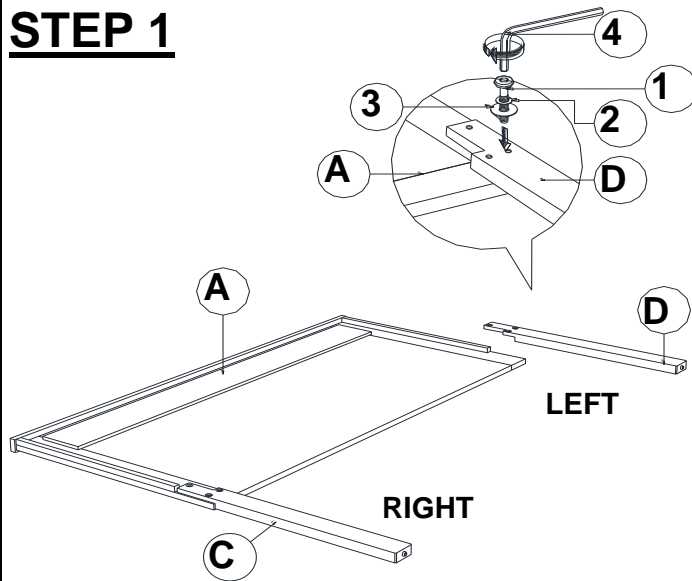
5	<b>FLAT HEAD SCREW</b> (M4 x 32mm - RBW)		14PCS	9	<b>LOCK WASHER</b> (1/4" - BLK)		2PCS
6	<b>PAN HEAD SCREW</b> (M3.5 x 20mm - BLK)		25PCS	10	<b>FLAT WASHER</b> (1/4" ID x 13mm - BLK)		2PCS
7	<b>SHORT BOLT</b> (M6 x 35mm - BLK)		2PCS	11	<b>SMALL ALLEN WRENCH</b> (M4 x 60mm - BLK)		1PC
8	<b>LONG BOLT</b> (M6 x 50mm - BLK)		6PCS	12	<b>BIG ALLEN WRENCH</b> (M5 x 65mm - BLK)		1PC

## NOTE:

Phillips head screw driver is required in the assembly process; however, manufacturer does not provide this item.

# ASSEMBLY INSTRUCTIONS

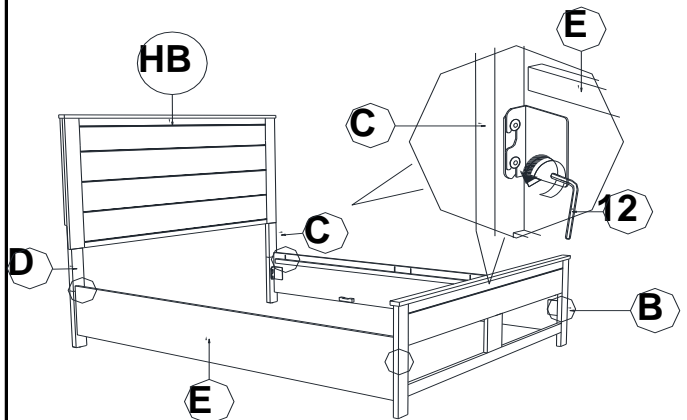
## STEP 1



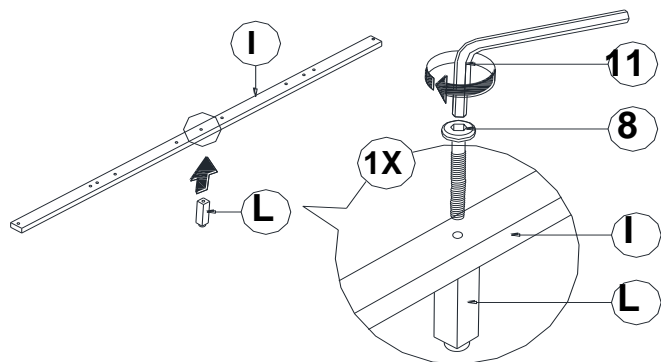
**\*\*BACK VIEW\*\***

Note : Please take note of the marking sticker (L&R) on the leg.

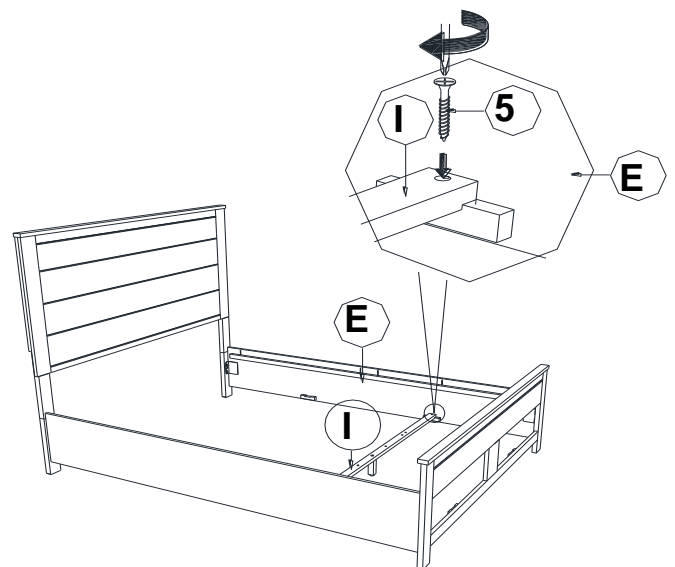
## STEP 2



## STEP 3



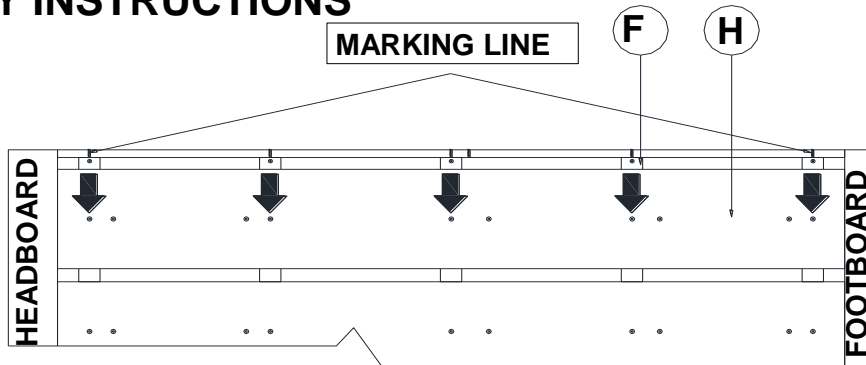
## STEP 4



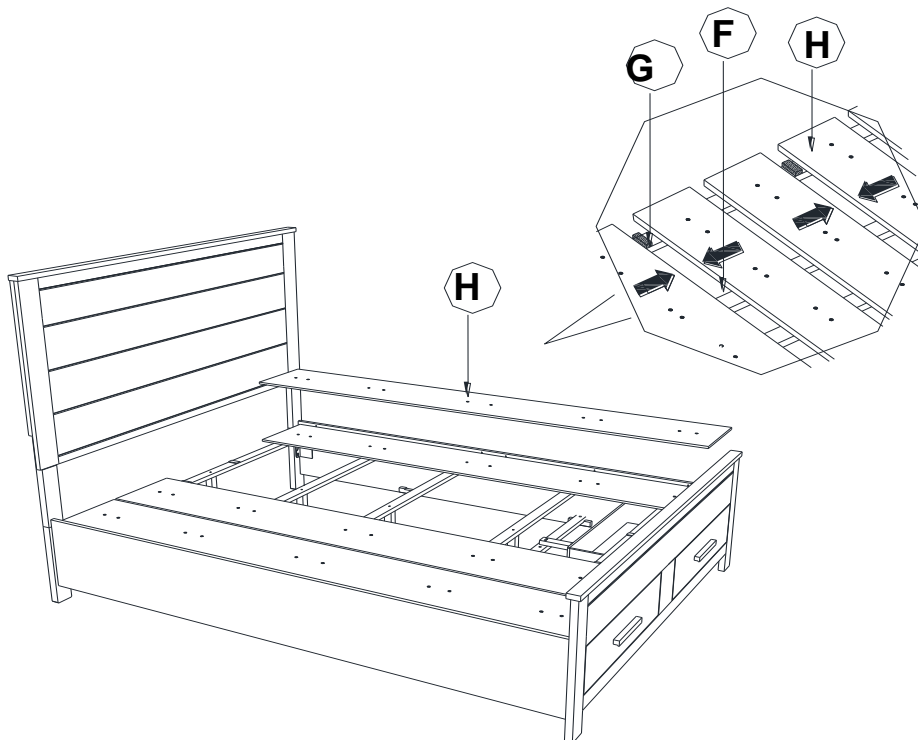


# ASSEMBLY INSTRUCTIONS

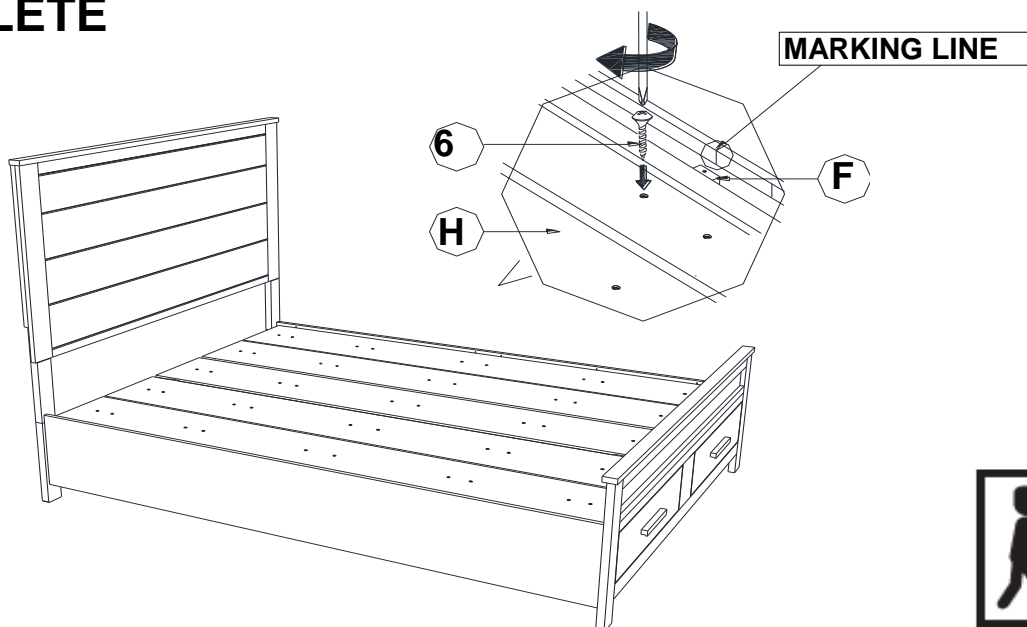
## STEP 9



TIGHTEN THE PANHEAD SCREW (6) BY FOLLOW THE ARROW AS SHOWN

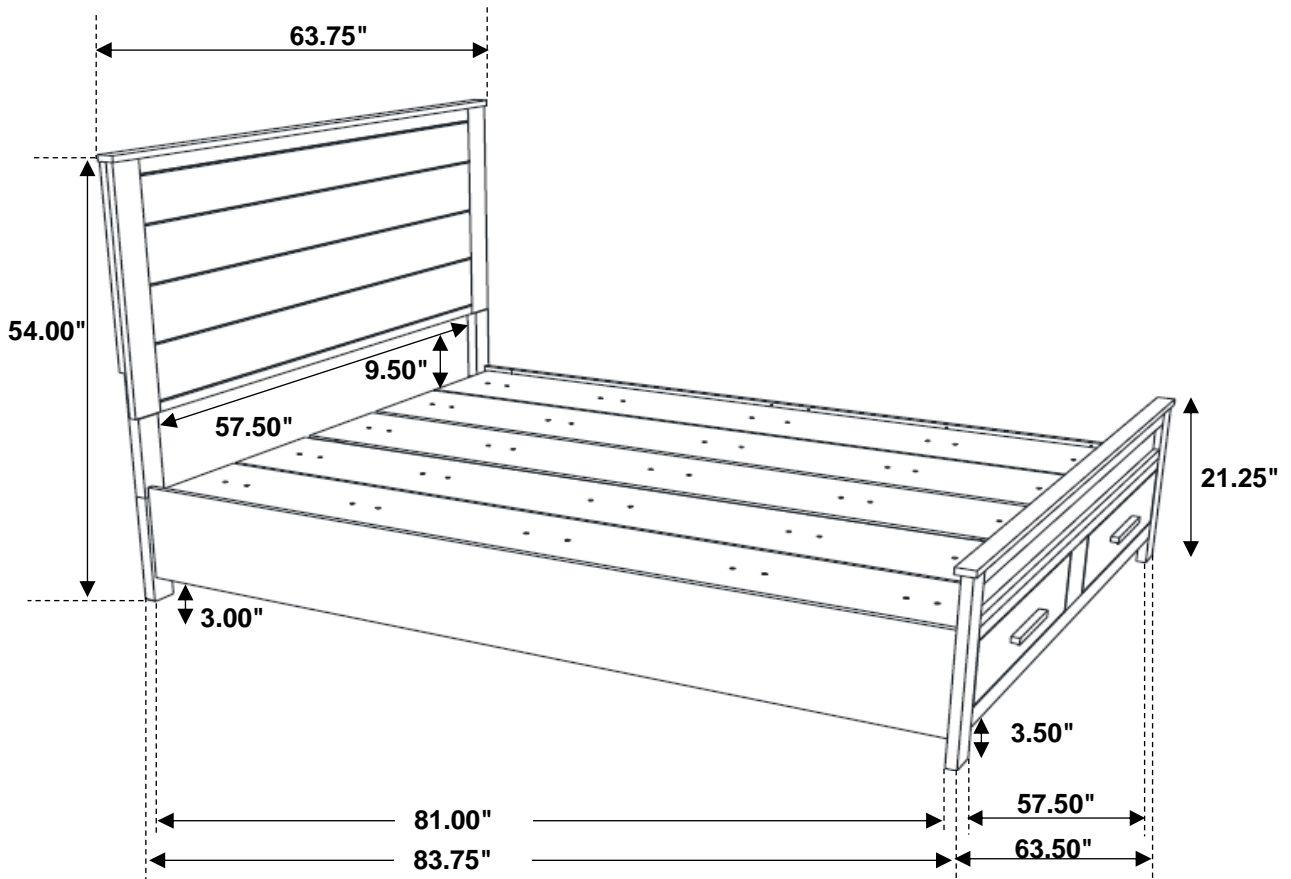


## STEP 10 COMPLETE



**Inner Size of Bed: 61.00"W X 81.00"D**

**Inner Size of Drawer : 23.25"W X 15.00"D X 5.00"H X 0.25"T**



**Note: Dimension tolerance  $\pm 5\%$**

# *ASSEMBLY INSTRUCTIONS*



*Fine Furniture for every stage of life*

***Nightstand***

# ASSEMBLY INSTRUCTIONS

## ASSEMBLY TIPS:

1. Remove hardware from box and sort by size.
2. Please check to see that all hardware and parts are present prior to start of assembly.
3. Please follow attached instructions in the same sequence as numbered to assure fast & easy assembly.



### WARNING!

1. Don't attempt to repair or modify parts that are broken or defective. Please contact the store immediately.
2. This product is for home use only and not intended for commercial establishments.



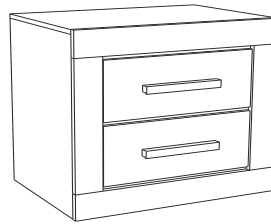
ASSEMBLY TIME

5 MINUTES

## PARTS IDENTIFICATION

A

NIGHTSTAND



1PC

B

LEG



4PCS

## HARDWARE IDENTIFICATION

1

**BOLT**  
(M6 x 50mm - BLK)



4PCS

2

**LOCK WASHER**  
(1/4" - BLK)



4PCS

3

**FLAT WASHER**  
(1/4"ID x 13mm - BLK)



4PCS

4

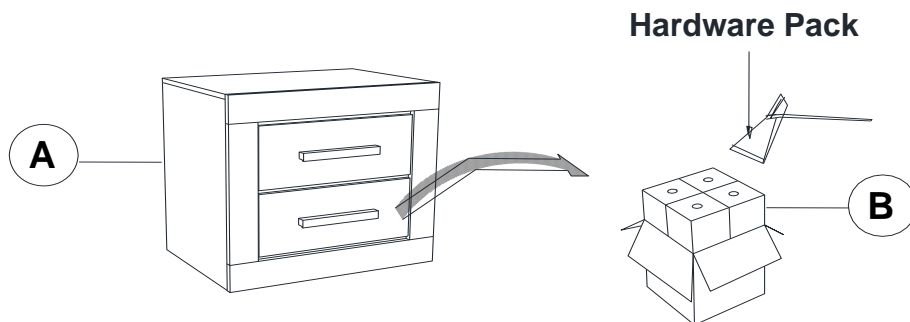
**ALLEN WRENCH**  
(M4 x 110mm - BLK)



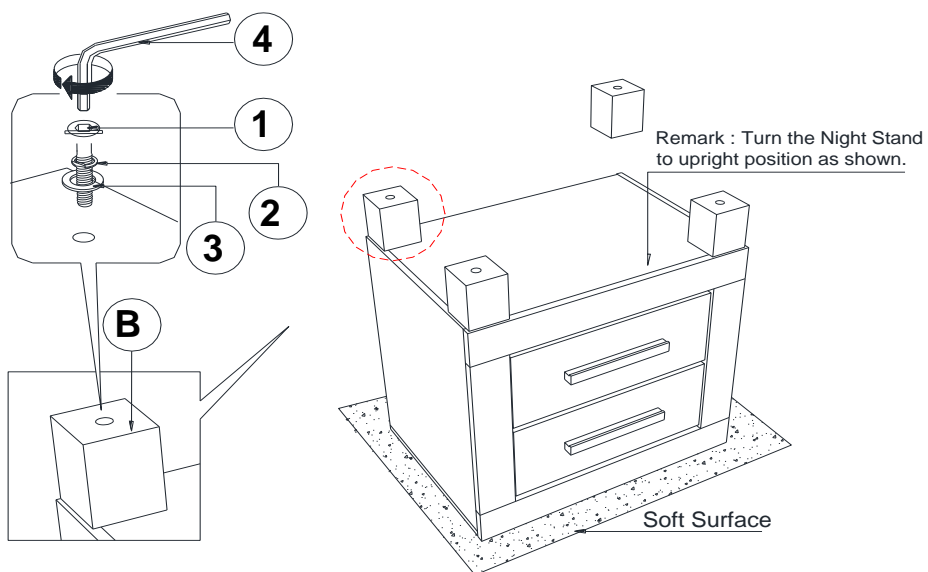
1PC

# ASSEMBLY INSTRUCTIONS

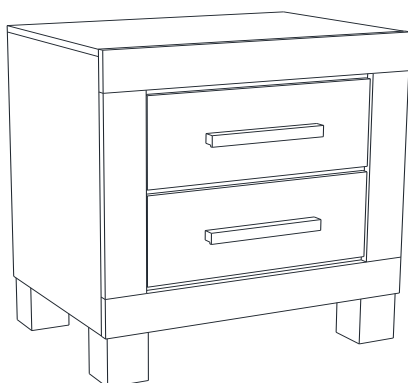
## STEP 1



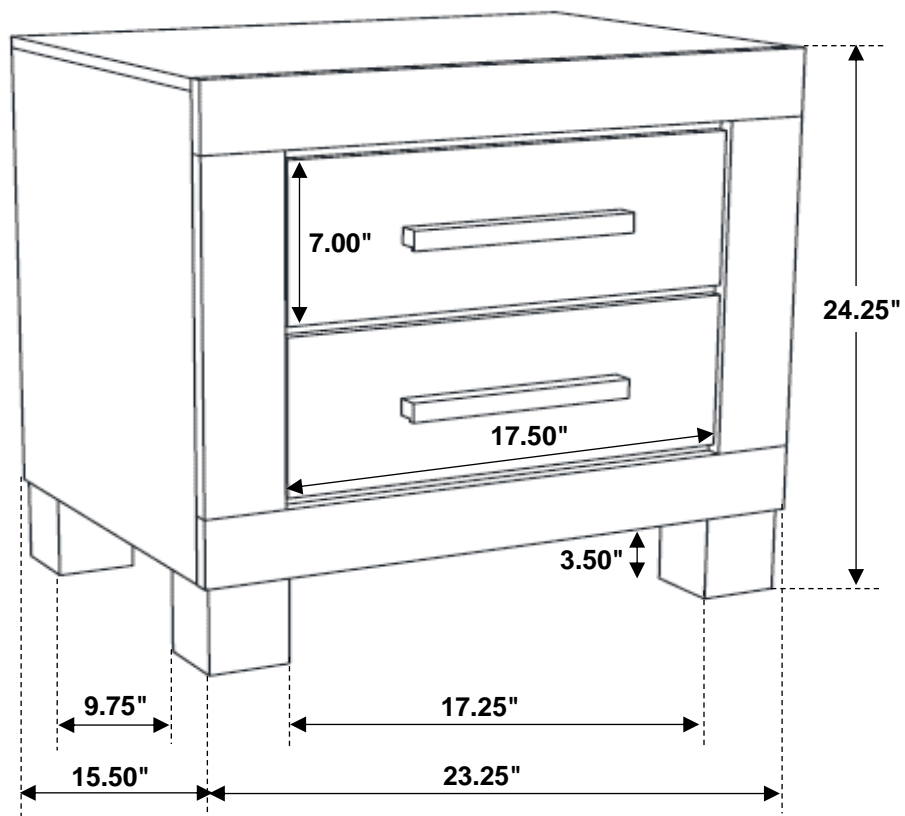
## STEP 2



## STEP 3 COMPLETE



**Inner Size of Drawer : 15.00"W X 12.50"D X 4.00"H X 0.25"T**



**Note: Dimension tolerance  $\pm 5\%$**

# ASSEMBLY INSTRUCTIONS



*Fine Furniture for every stage of life*

**Dresser**

# ASSEMBLY INSTRUCTIONS

## ASSEMBLY TIPS:

1. Remove hardware from box and sort by size.
2. Please check to see that all hardware and parts are present prior to start of assembly.
3. Please follow attached instructions in the same sequence as numbered to assure fast & easy assembly.



### WARNING!

1. Don't attempt to repair or modify parts that are broken or defective. Please contact the store immediately.
2. This product is for home use only and not intended for commercial establishments.



ASSEMBLY TIME

5 MINUTES

## PARTS IDENTIFICATION

A

DRESSER



1PC

B

LEG



4PCS

## HARDWARE IDENTIFICATION

1

**BOLT**  
(M6 x 50mm - BLK)



4PCS

2

**LOCK WASHER**  
(1/4" - BLK)



4PCS

3

**FLAT WASHER**  
(1/4"ID x 13mm - BLK)



4PCS

4

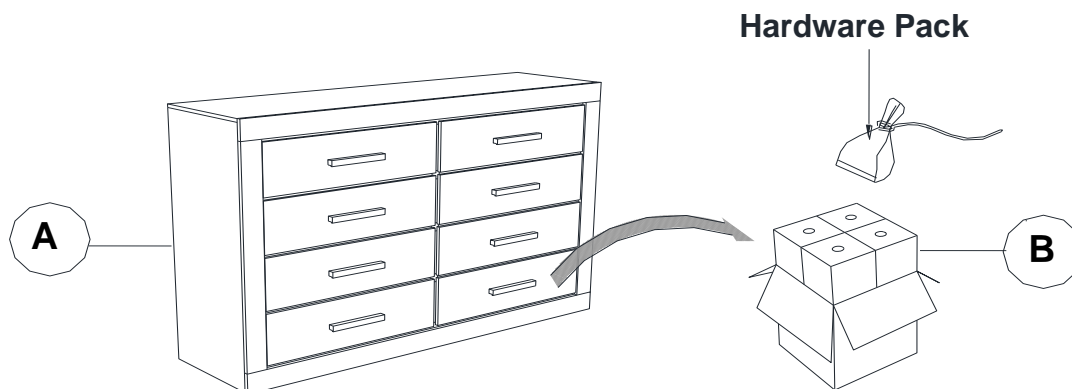
**ALLEN WRENCH**  
(M4 x 110mm - BLK)



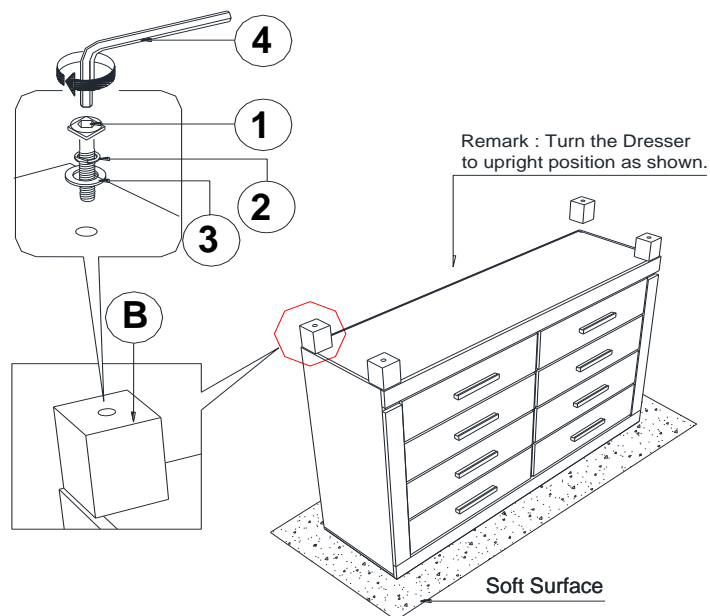
1PC

# ASSEMBLY INSTRUCTIONS

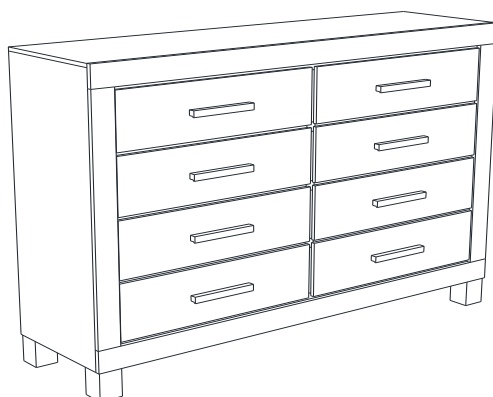
## STEP 1



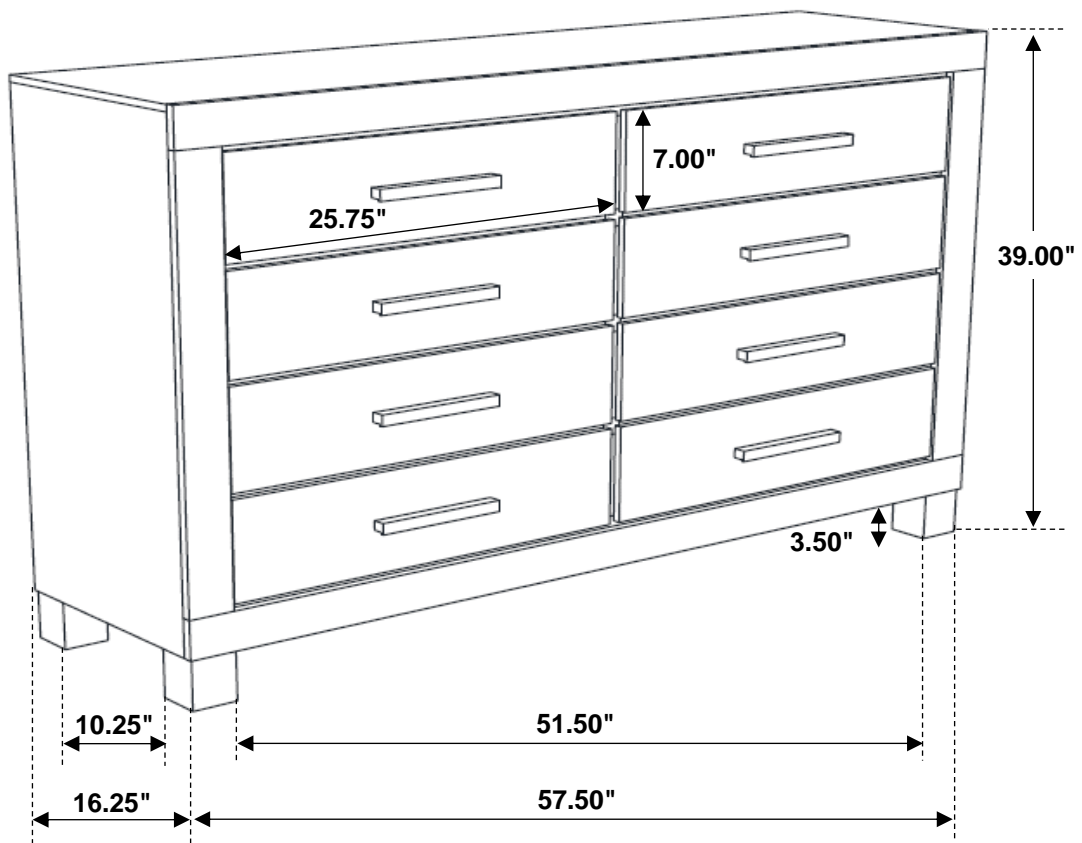
## STEP 2



## STEP 3 COMPLETE



**Inner Size of Drawer : 23.25"W X 12.50"D X 4.00"H X 0.25"T**



**Note: Dimension tolerance  $\pm 5\%$**

# ASSEMBLY INSTRUCTIONS



*Fine Furniture for every stage of life*

***Mirror***

# ASSEMBLY INSTRUCTIONS

## ASSEMBLY TIPS:

1. Remove hardware from box and sort by size.
2. Please check to see that all hardware and parts are present prior to start of assembly.
3. Please follow attached instructions in the same sequence as numbered to assure fast & easy assembly.



### WARNING!

1. Don't attempt to repair or modify parts that are broken or defective. Please contact the store immediately.
2. This product is for home use only and not intended for commercial establishments.

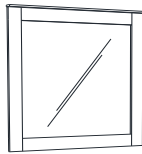


ASSEMBLY TIME

10 MINUTES

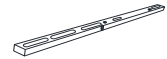
## PARTS IDENTIFICATION

A MIRROR



1PC

C MIRROR SUPPORT  
(PACKED WITH MIRROR)



2PCS

B DRESSER



1PC

## HARDWARE IDENTIFICATION

1

SHORT BOLT  
(M6 x 35mm - BLK)



4PCS

4

FLAT WASHER  
(1/4" ID x 19mm - BLK)



8PCS

2

LONG BOLT  
(M6 x 40mm - BLK)



4PCS

5

ALLEN WRENCH  
(M4 x 60mm - BLK)



1PC

3

LOCK WASHER  
(1/4" - BLK)

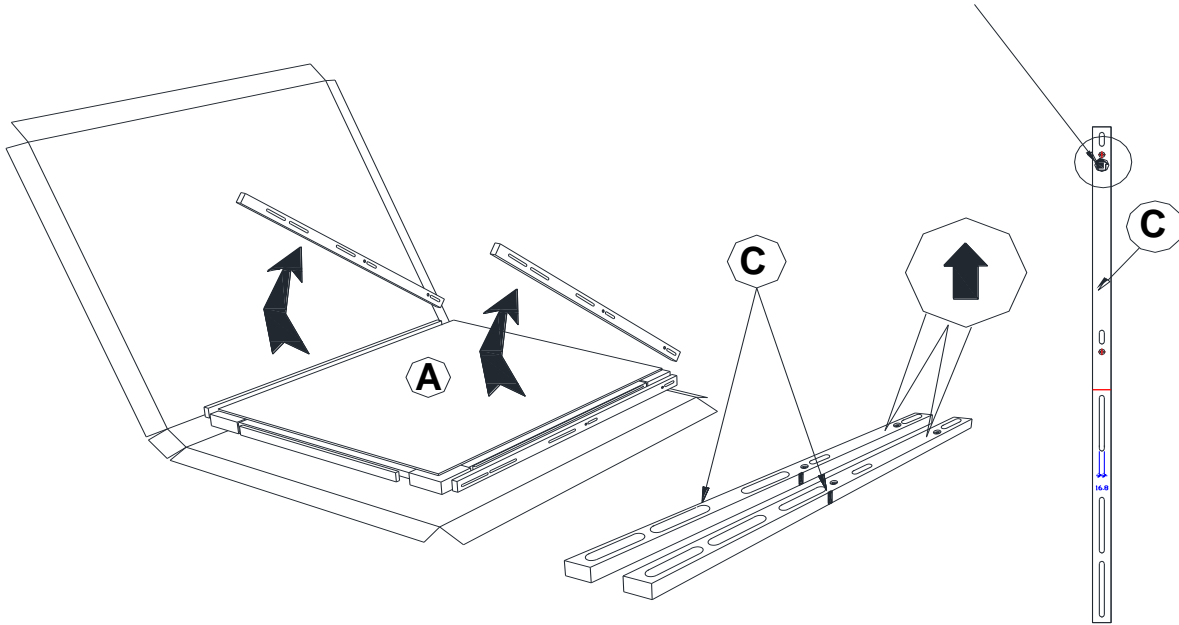


8PCS

# ASSEMBLY INSTRUCTIONS

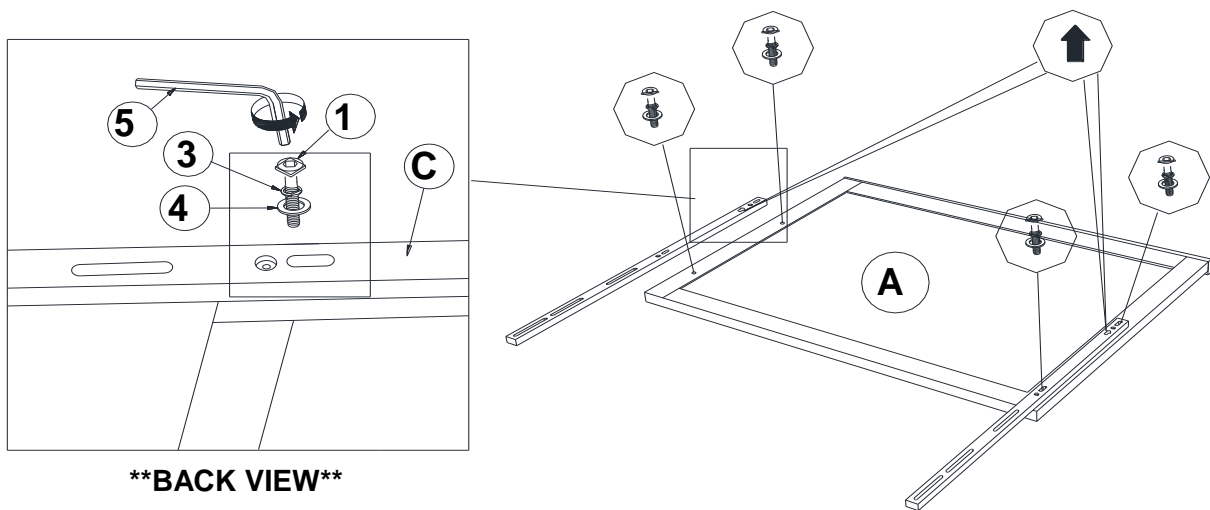
## STEP 1

ARROW MARKING FACE UPWARD



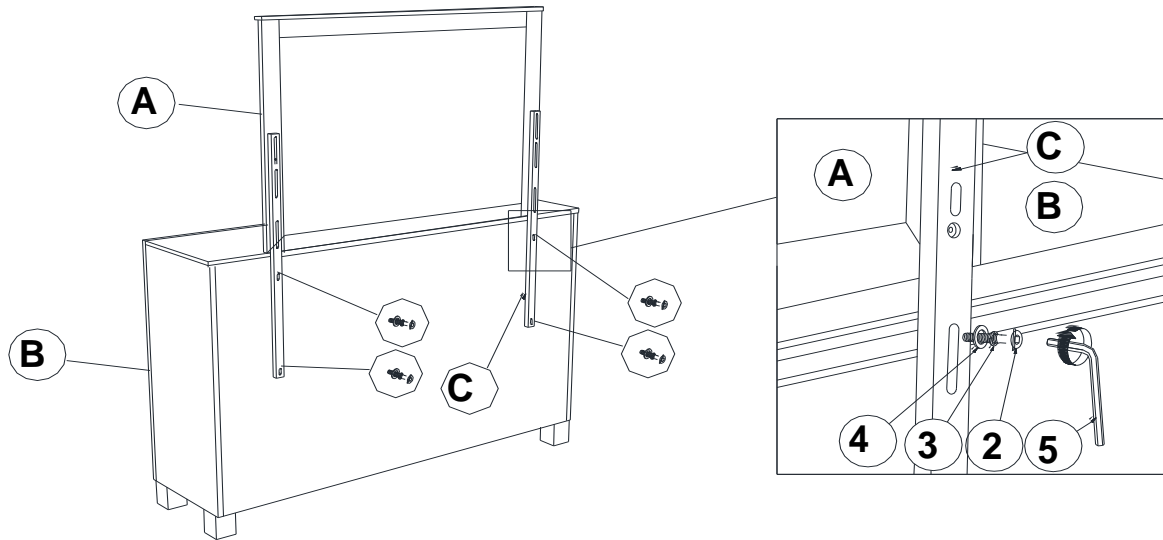
## STEP 2

ARROW MARKING FACE UPWARD



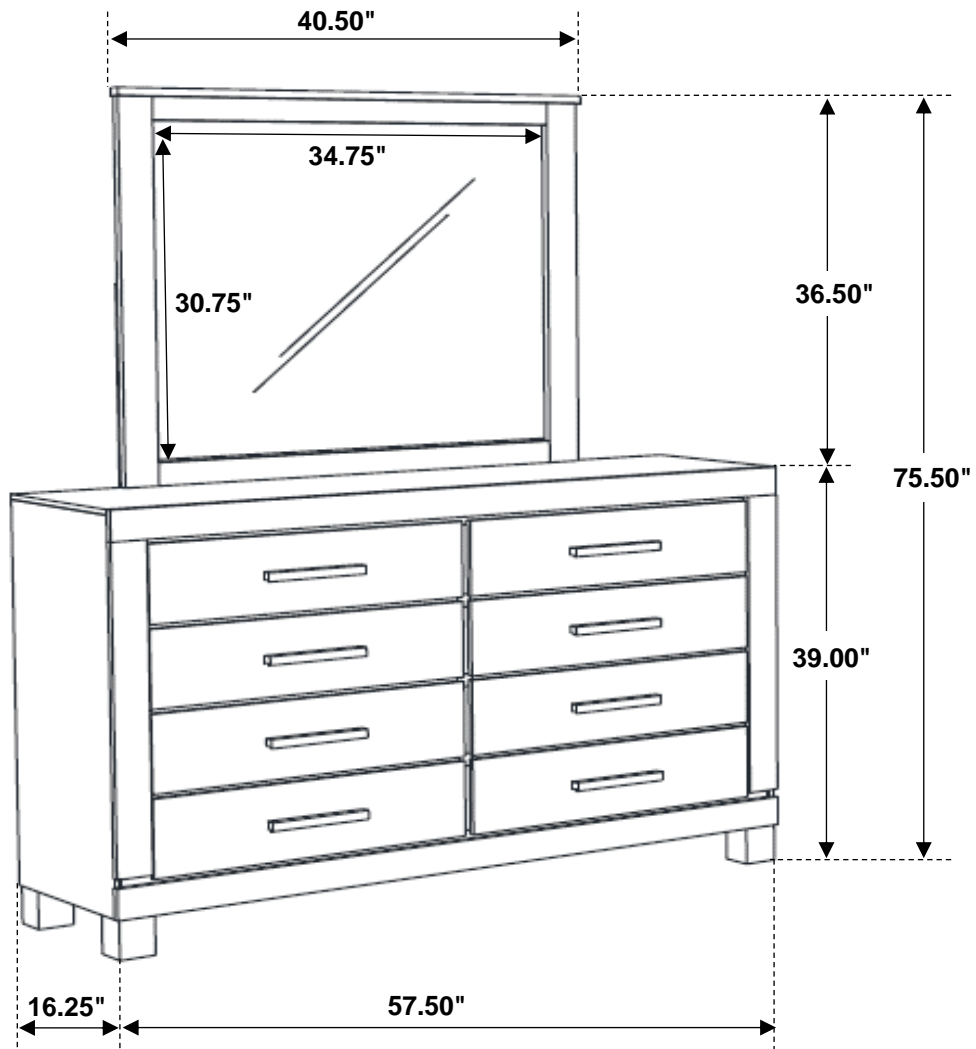
# ASSEMBLY INSTRUCTIONS

## STEP 3



## STEP 4 COMPLETE





Note: Dimension tolerance  $\pm 5\%$

# ASSEMBLY INSTRUCTIONS



*Fine Furniture for every stage of life*

***Chest***

# ASSEMBLY INSTRUCTIONS

## ASSEMBLY TIPS:

1. Remove hardware from box and sort by size.
2. Please check to see that all hardware and parts are present prior to start of assembly.
3. Please follow attached instructions in the same sequence as numbered to assure fast & easy assembly.



### WARNING!


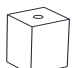
1. Don't attempt to repair or modify parts that are broken or defective. Please contact the store immediately.
2. This product is for home use only and not intended for commercial establishments.







ASSEMBLY TIME

5 MINUTES

## PARTS IDENTIFICATION

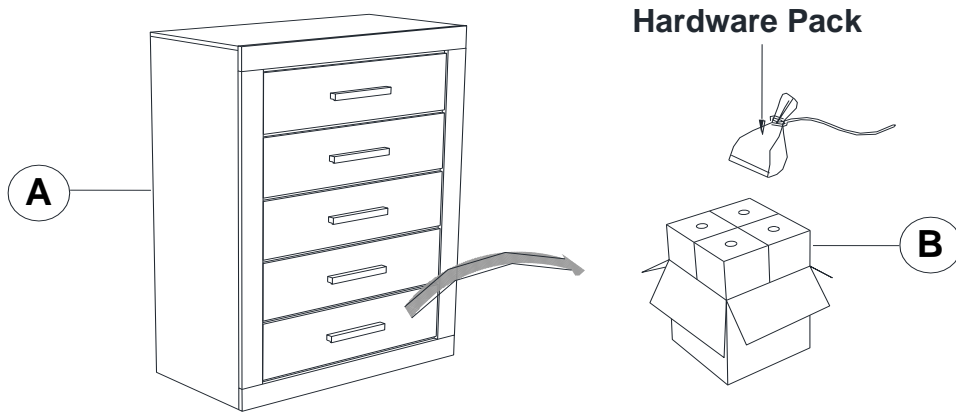
A	CHEST		1PC
B	LEG		4PCS

## HARDWARE IDENTIFICATION

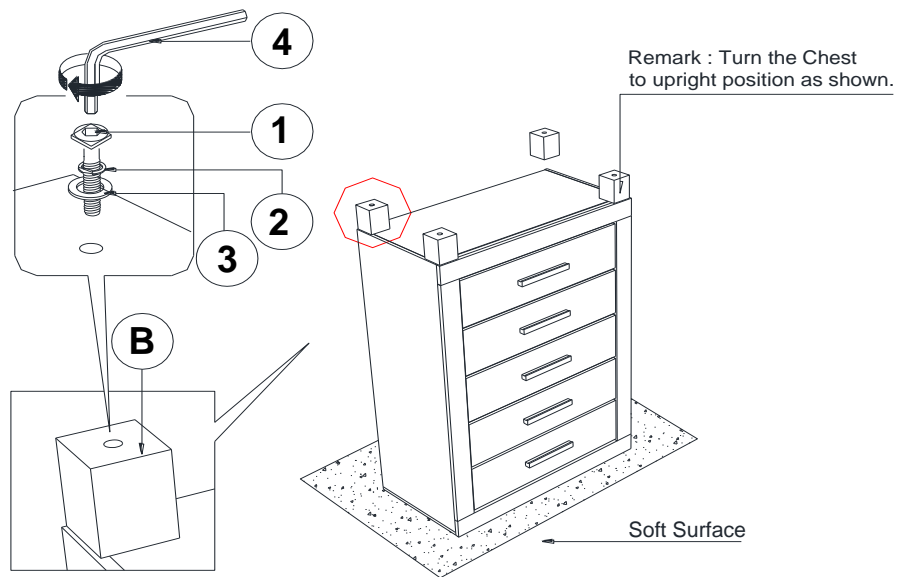
1	<b>BOLT</b> (M6 x 50mm - BLK)		4PCS
2	<b>LOCK WASHER</b> (1/4" - BLK)		4PCS
3	<b>FLAT WASHER</b> (1/4"ID x 13mm - BLK)		4PCS
4	<b>ALLEN WRENCH</b> (M4 x 110mm - BLK)		1PC

# ASSEMBLY INSTRUCTIONS

## STEP 1



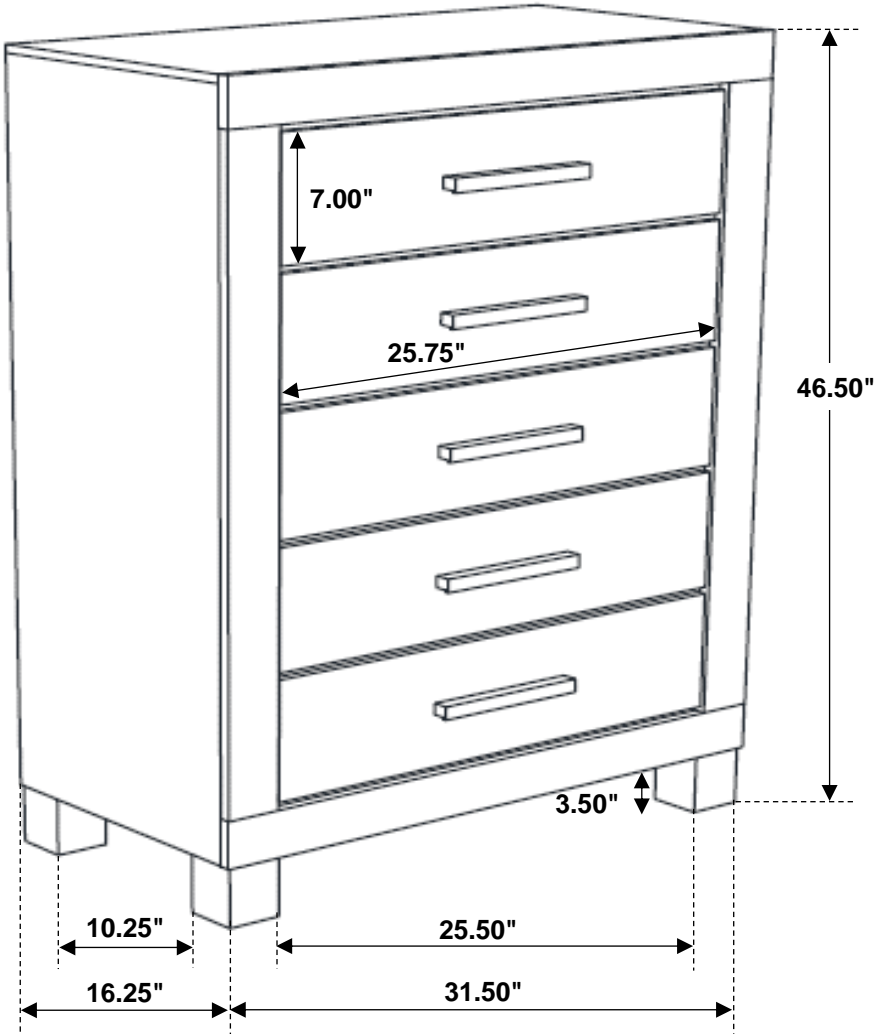
## STEP 2



## STEP 3 **COMPLETE**



Inner Size of Drawer : 23.25"W X 12.50"D X 4.00"H X 0.25"T



Note: Dimension tolerance  $\pm 5\%$