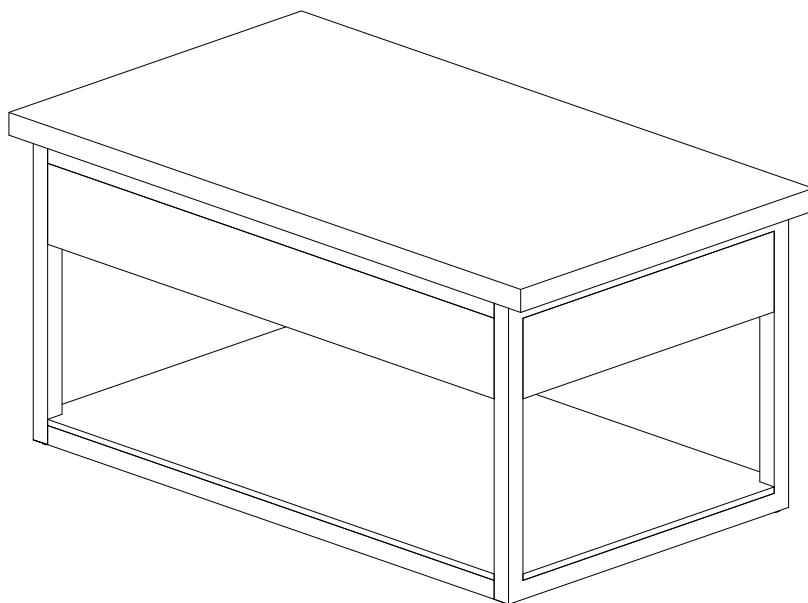


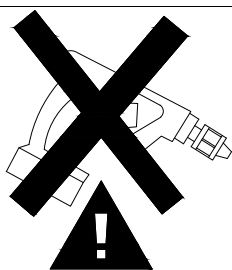
# ASSEMBLY INSTRUCTION

## COFFEE TABLE

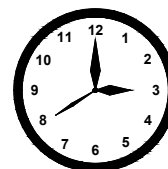
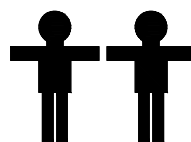


### REPLACEMENT PARTS

Please do not contact the company purchased from as we can help you faster.  
Order replacement parts and hardware at " [www.alaterrefurniture.com](http://www.alaterrefurniture.com) "

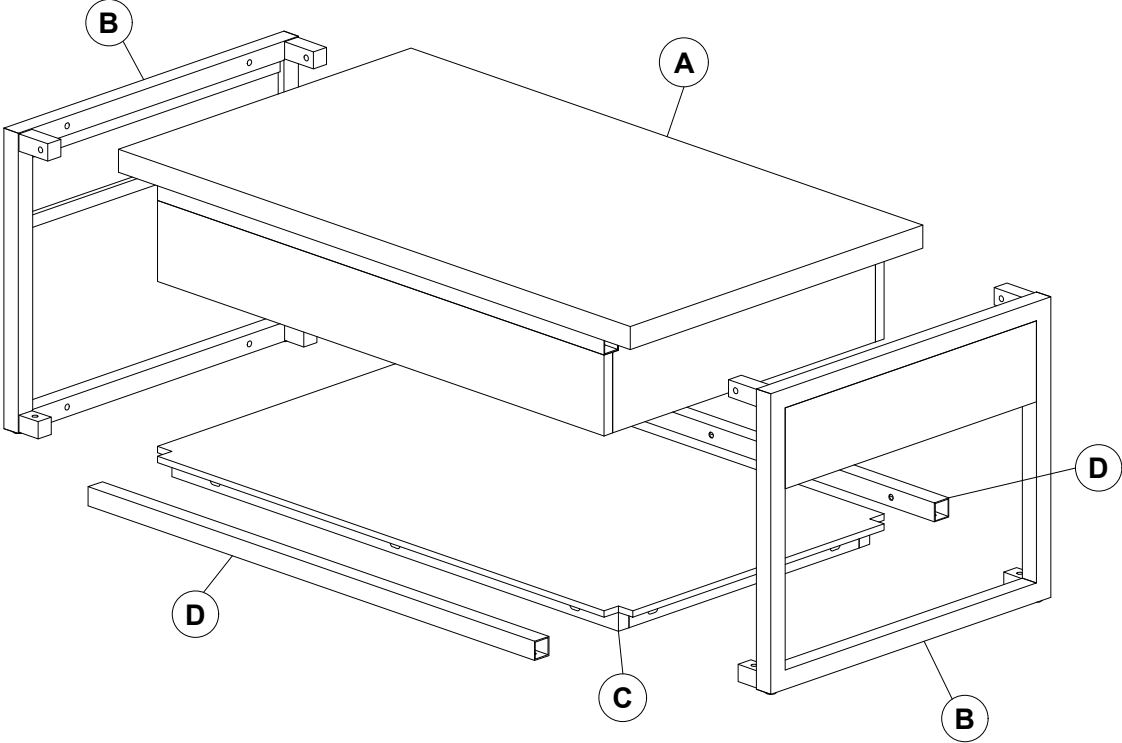


- . Use of power tool to assemble this product will invalidate any claim and damage this product making it unsafe !!!
- . Please assemble on a clean soft surface to avoid damage.



30 minutes


# Part list-Claremont Coffee Table



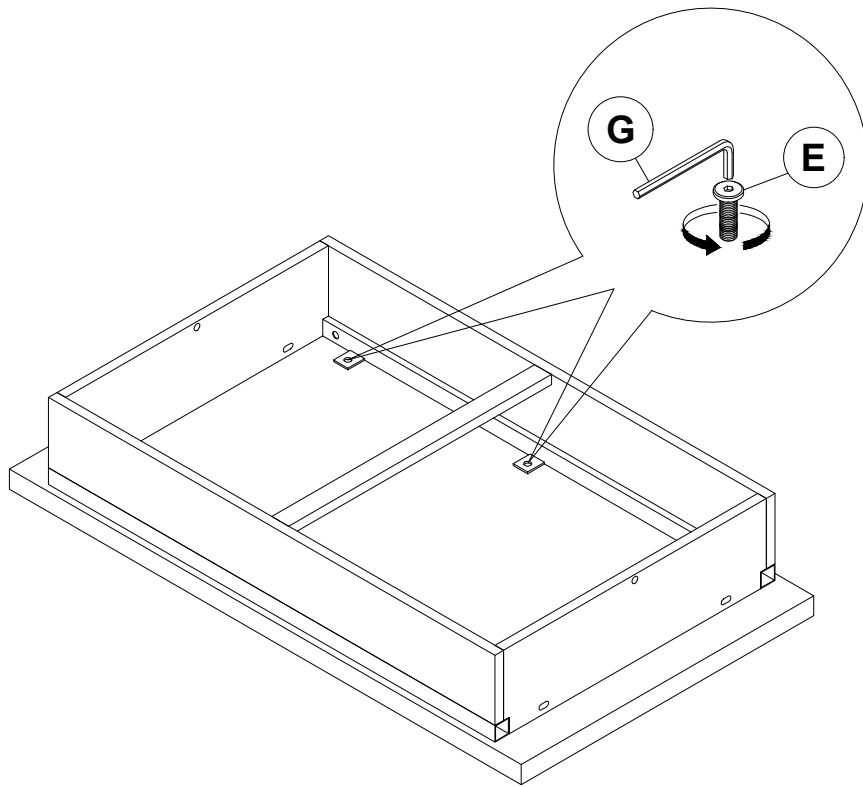
Identifying the hardware-Identify the hardware using the illustrations below

**E**  **08**  
M6x15MM BOLT

**F**  **16**  
M6x35MM BOLT

**G**  **01**


## Step 01

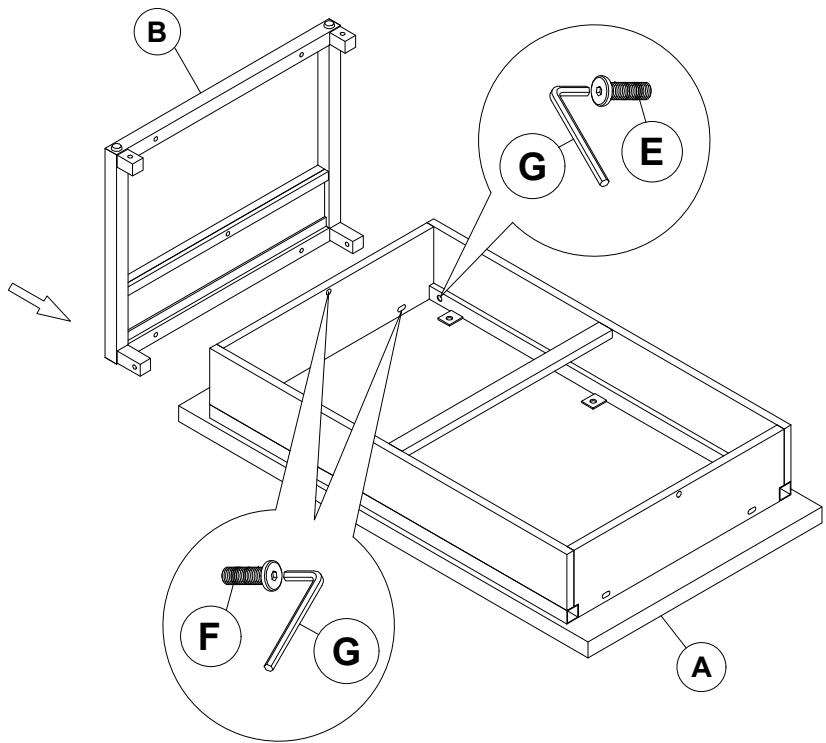


## Step 02

**E**  **02**  
M6x15MM BOLT

**F**  **03**  
M6x35MM BOLT

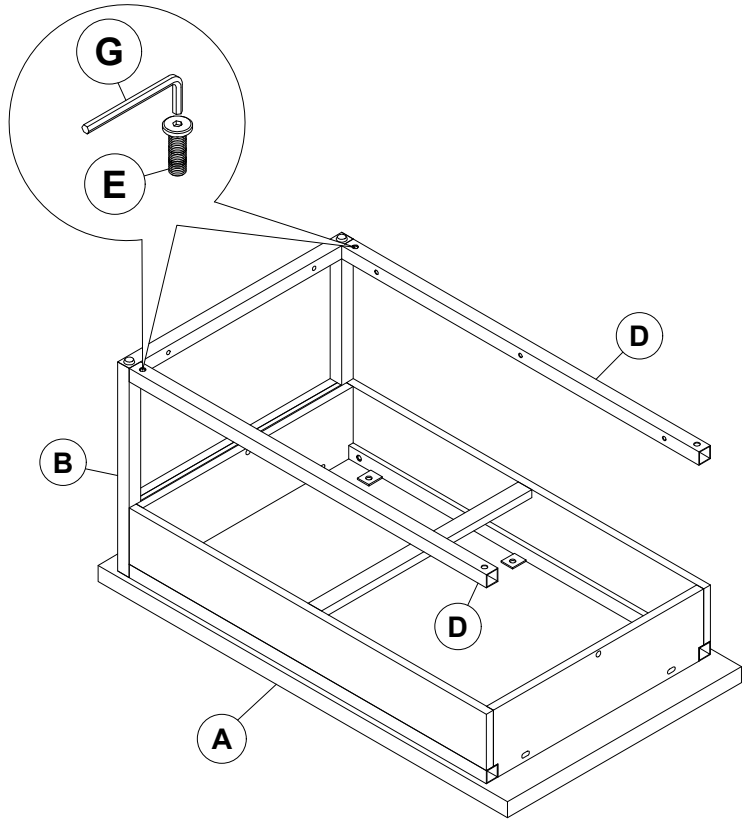
**G**  **01**



### Step 03

**E**  **02**

**G**  **01**

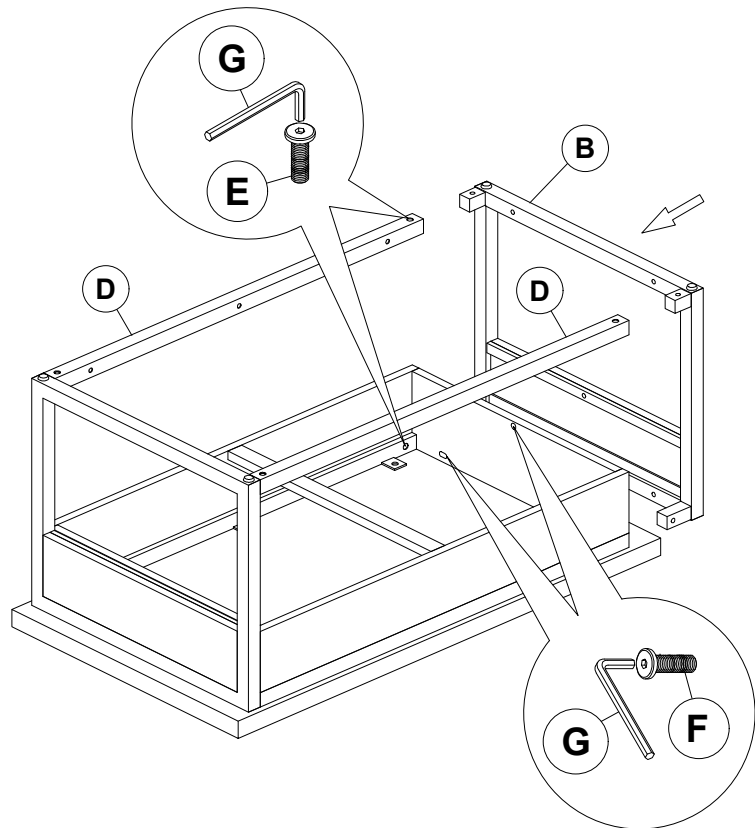


### Step 04


**E**  **04**


**F**  **03**

**G**  **01**



# Step 05

**F**  **10**  
**M6x35MM BOLT**

**G**  **01**

