

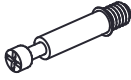


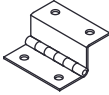



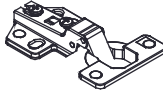








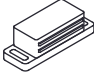
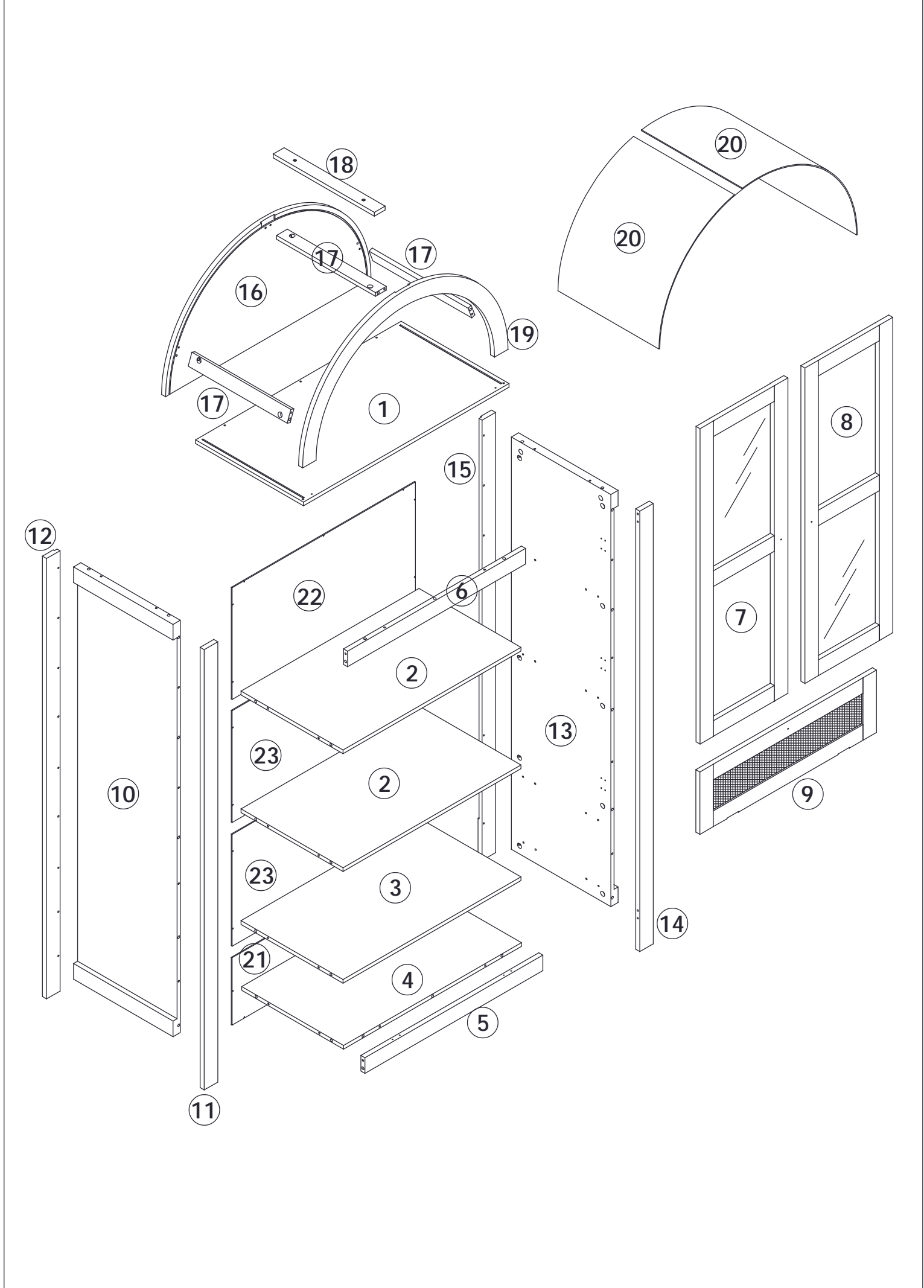
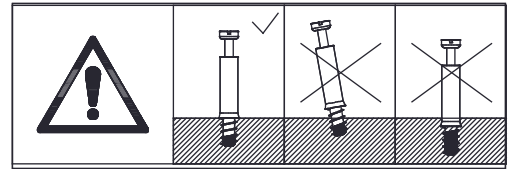


# List of accessories

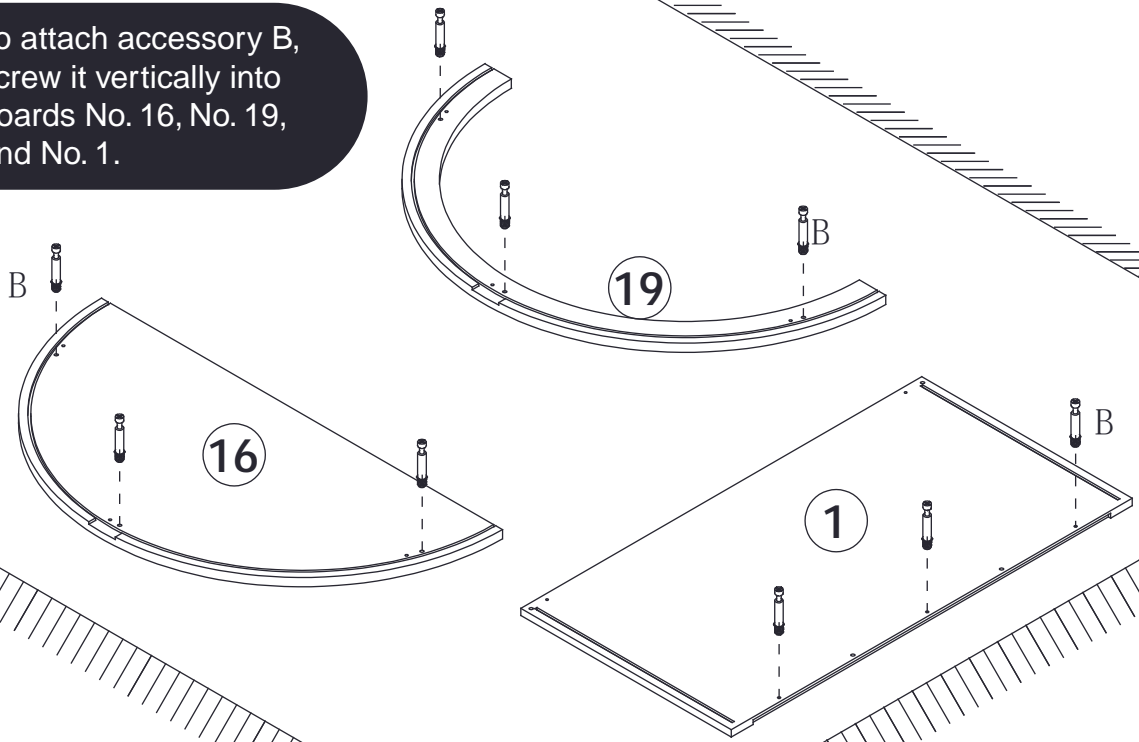
|   |  |       |   |  |      |
|---|--|-------|---|--|------|
| A |  6x30mm   | 54pcs | K |  3x14mm    | 2pcs |
| B |  6x35mm   | 59pcs | L |  1pc       |      |
| C |  15x9.5mm | 59pcs | M |  2pcs     |      |
| D |  3.5x14mm | 36pcs | N |  1pc      |      |
| E |  3x12mm   | 14pcs | O |  6pcs     |      |
| F |  4x35mm   | 2pcs  | P |  2pcs     |      |
| G |  3pcs   |       | Q |  2sets   |      |
| H |  4x18mm | 3pcs  | R |  2sets  |      |
| I |  3x10mm | 31pcs | S |  4x25mm | 2pcs |
| J |  1pc    |       |   |  |      |



①

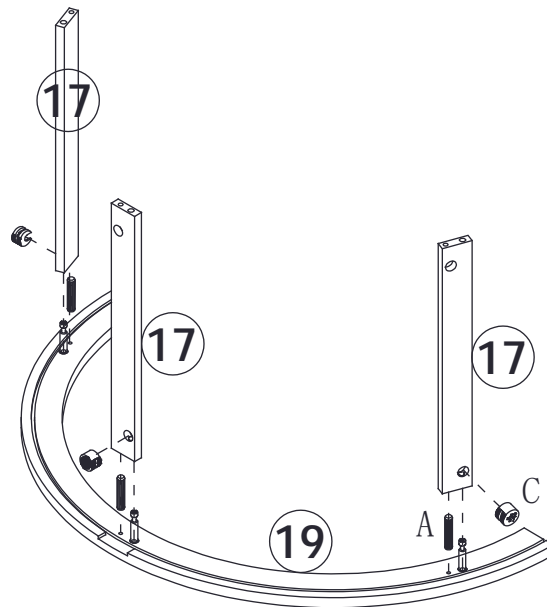
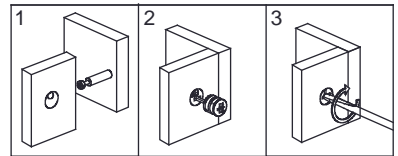


To attach accessory B, screw it vertically into boards No. 16, No. 19, and No. 1.




 (B)x9pcs

②

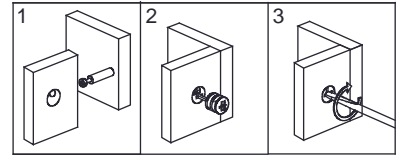
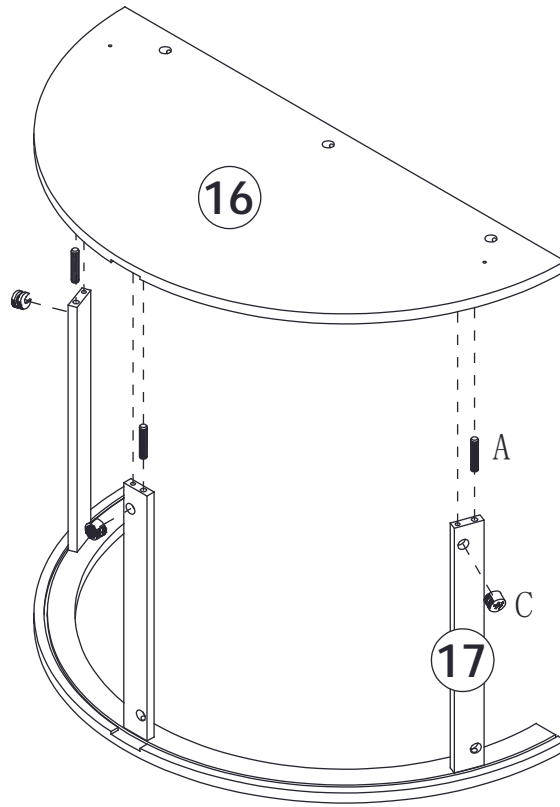



 (A)x3pcs


 (C)x3pcs

Connect the wooden strip No. 17 to board No. 19 using accessory A and accessory C.

③

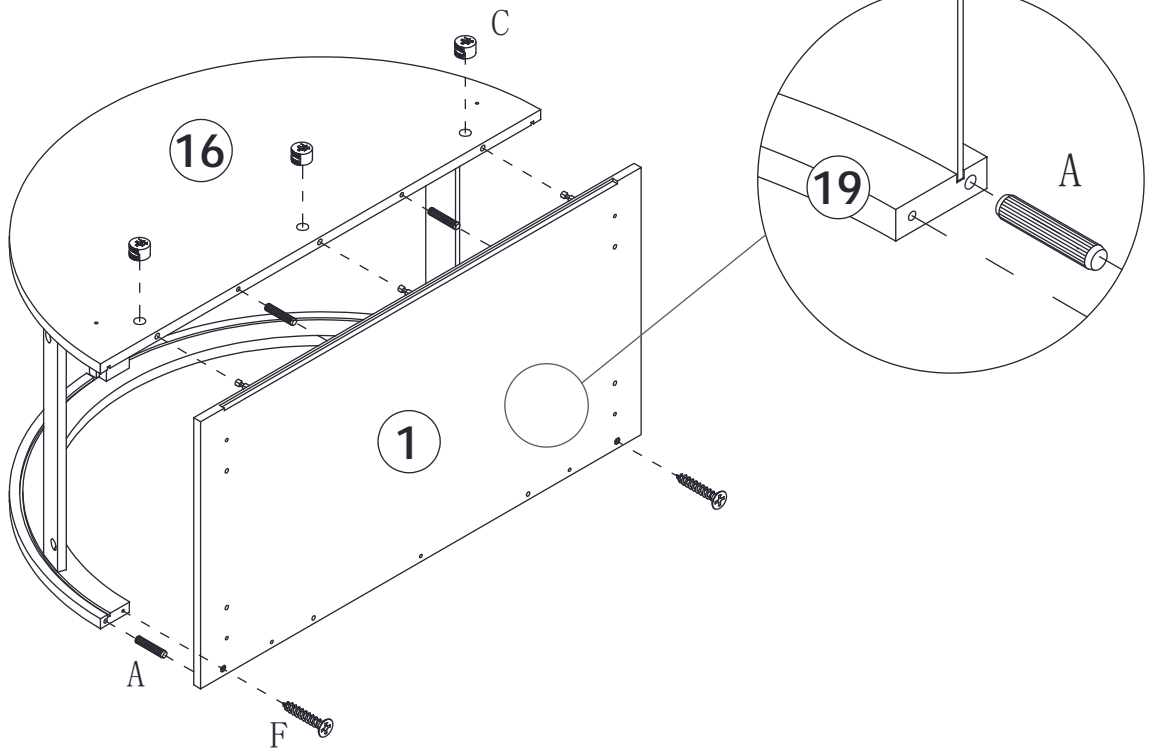



 (A)x3pcs


 (C)x3pcs

Connect the wooden strip No. 17 to board No. 16 using accessory A and accessory C.

④



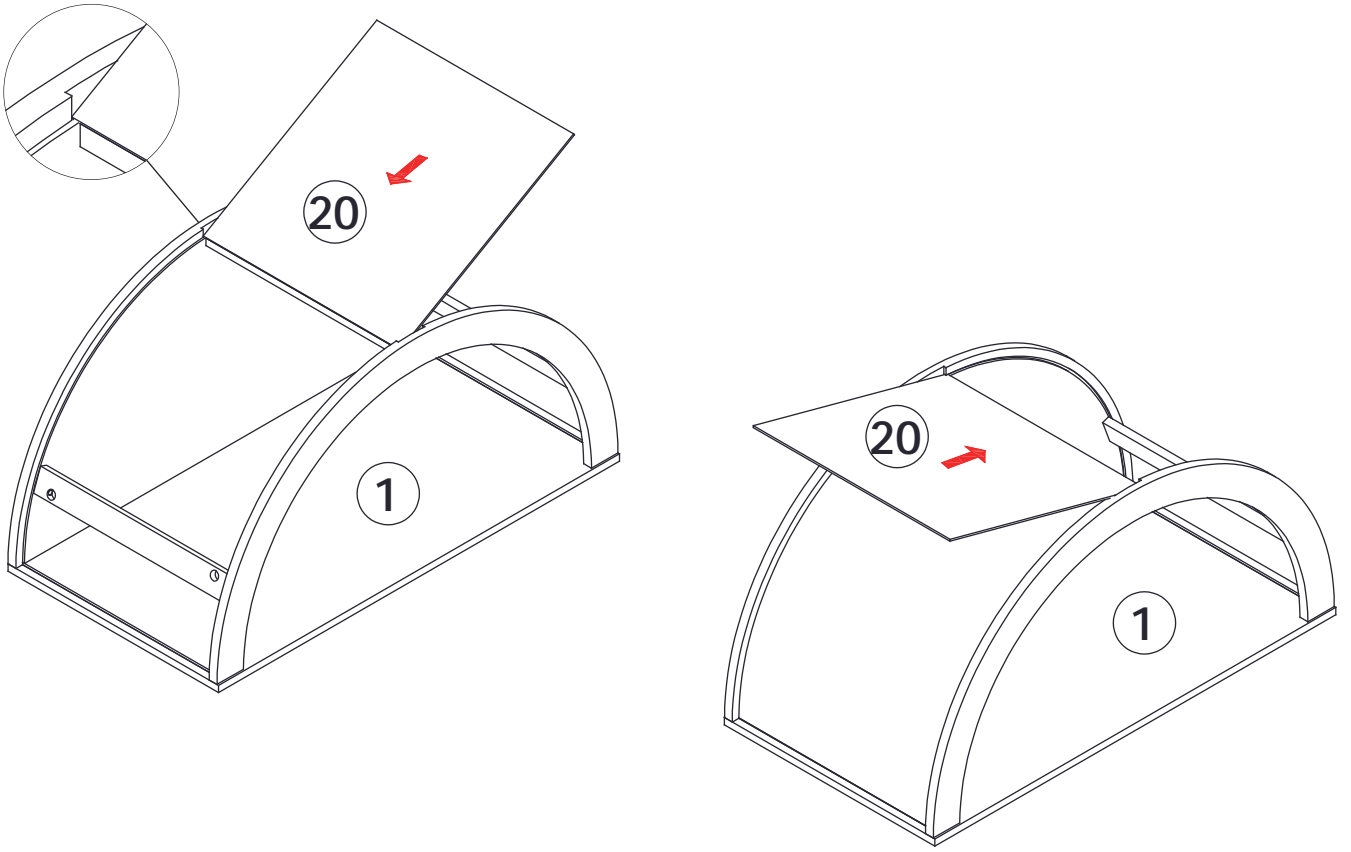
 (A)x4pcs

 (C)x3pcs

 (F)x2pcs

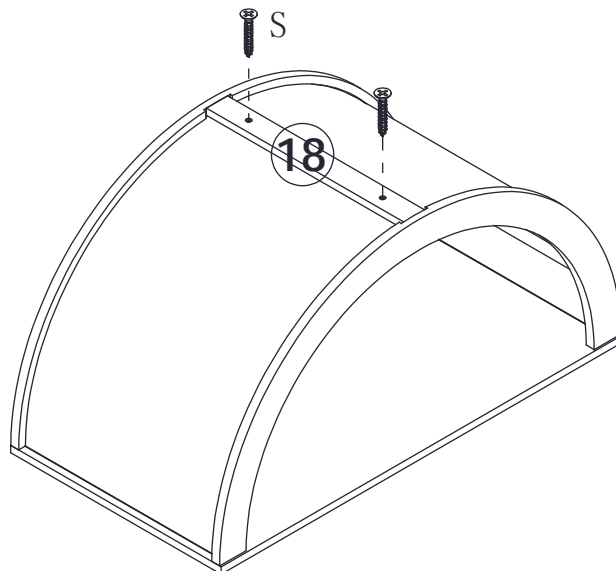
Connect board No. 1 to board No. 16 and the arched wooden strip No. 19 using accessory A and accessory C, then secure them in place with accessory F.

⑤

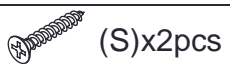


Slide the two pieces of board No. 20 into the track gaps on both sides.

⑥

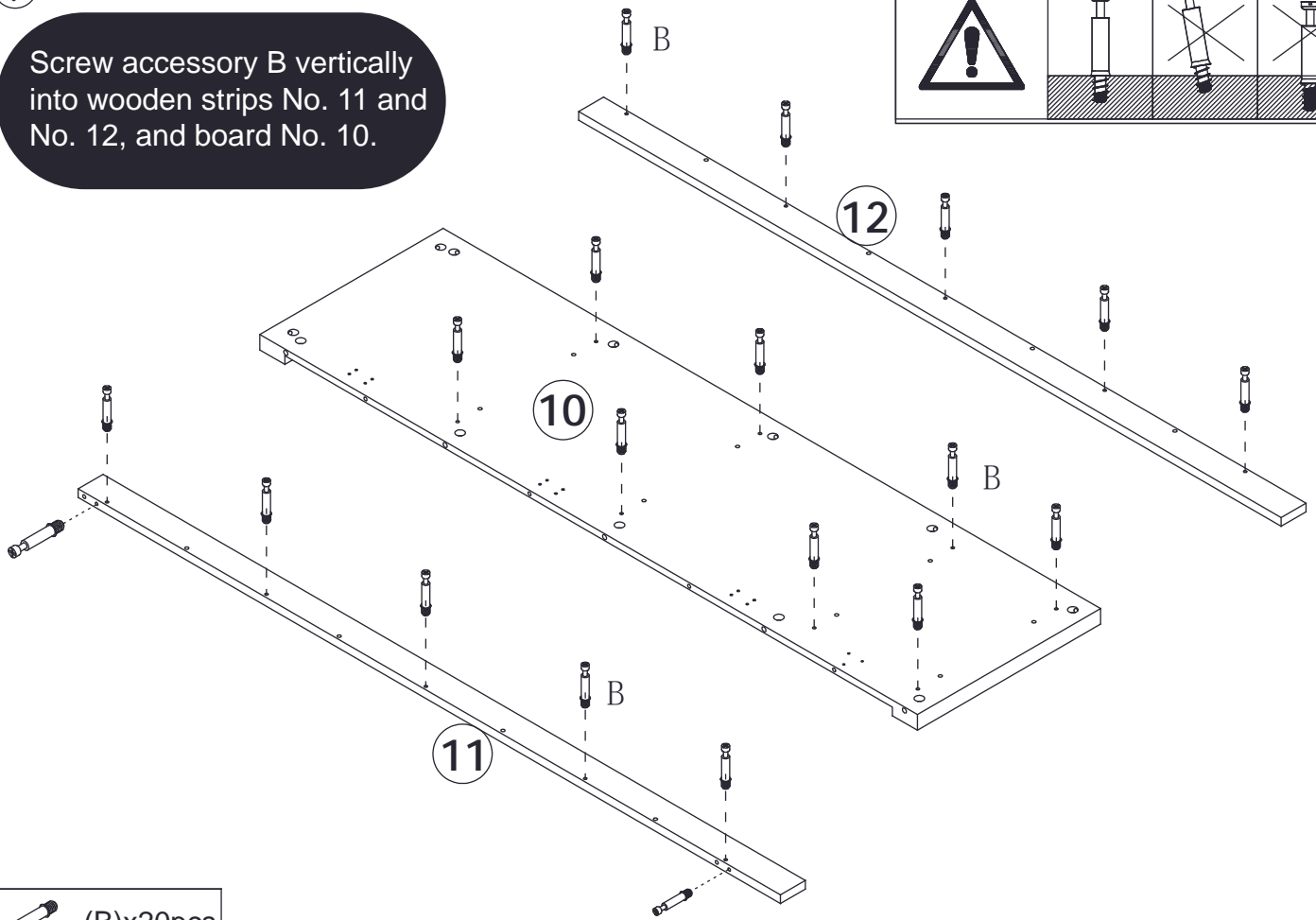
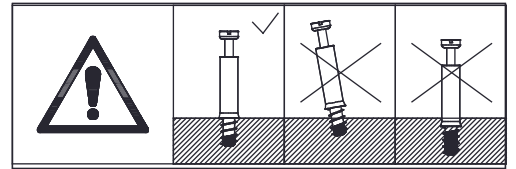


Use accessory S to secure the wooden strip No. 18 between the two pieces of board No. 20.



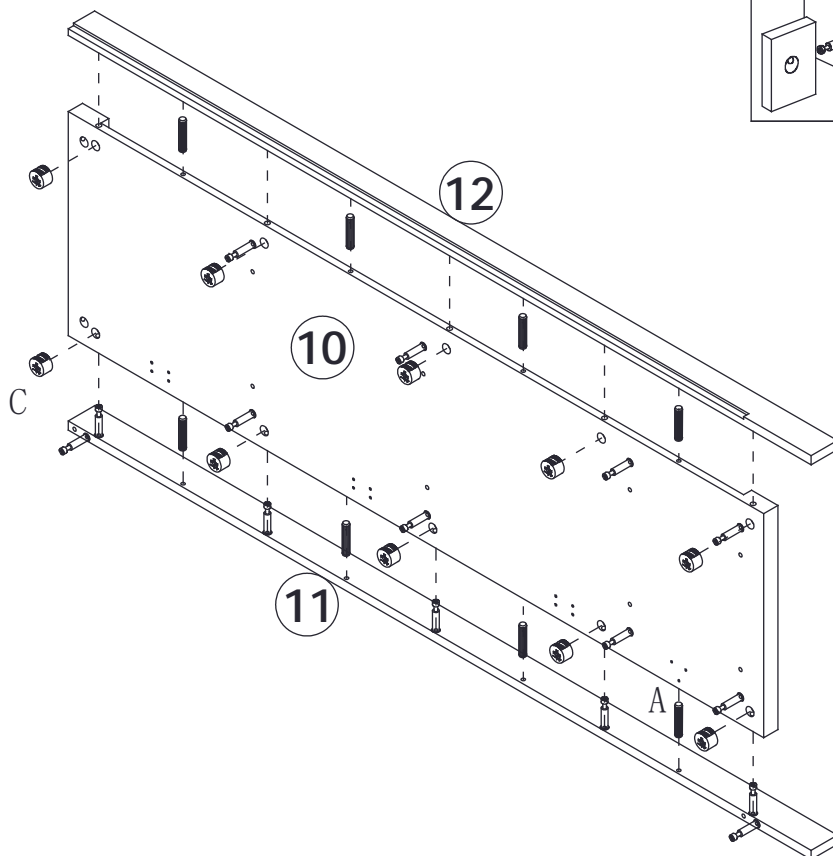
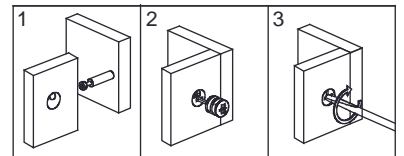
7

Screw accessory B vertically into wooden strips No. 11 and No. 12, and board No. 10.



(B)x20pcs

8



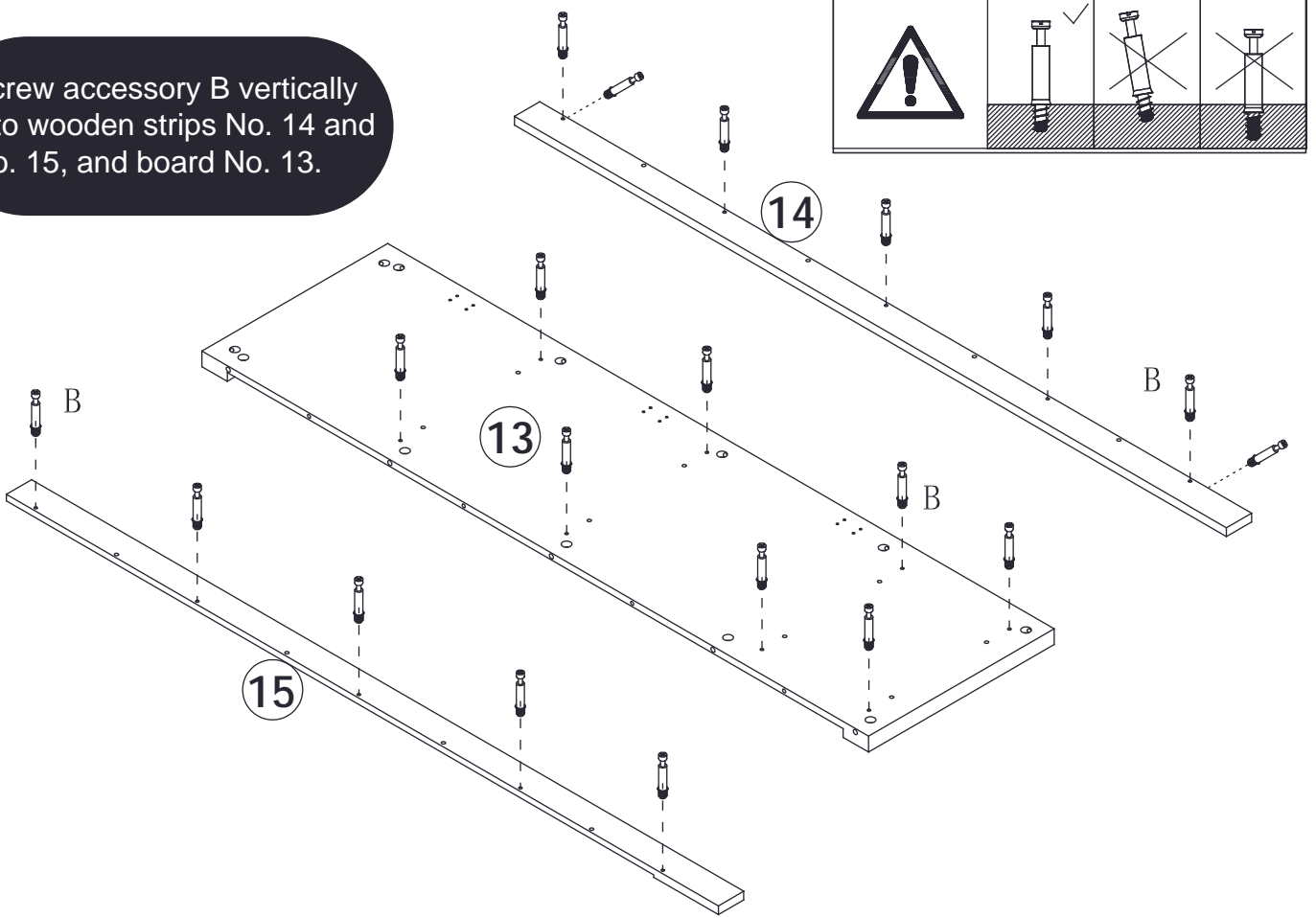
(A)x8pcs

(C)x10pcs

Use accessory A and accessory C to secure wooden strips No. 11 and No. 12 to both sides of board No. 10.

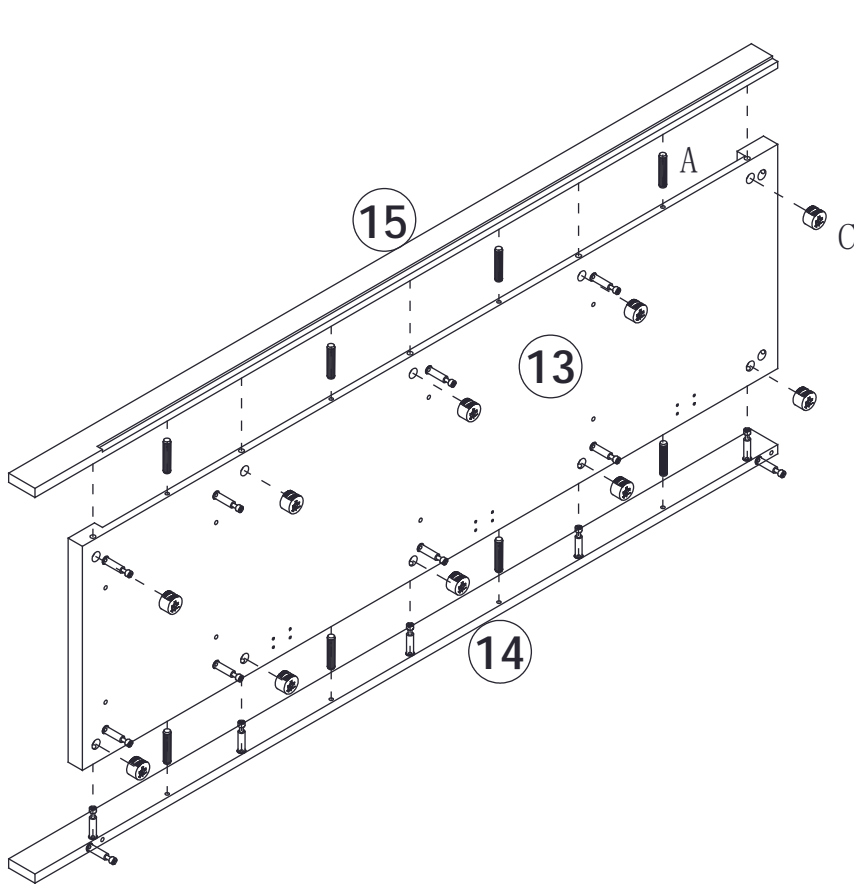
9

Screw accessory B vertically into wooden strips No. 14 and No. 15, and board No. 13.



(B)x20pcs

10

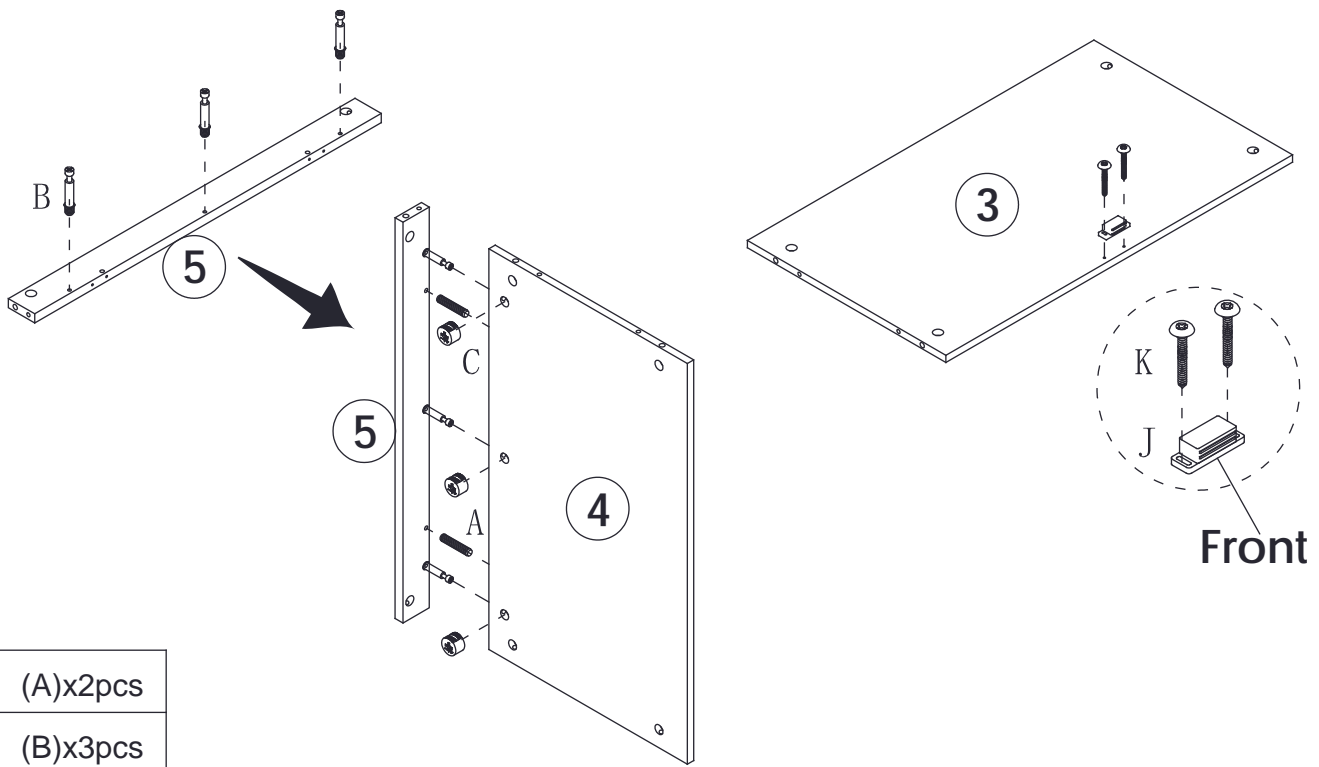







(A)x8pcs

(C)x10pcs

Use accessory A and accessory C to secure wooden strips No. 14 and No. 15 to both sides of board No. 13.

11

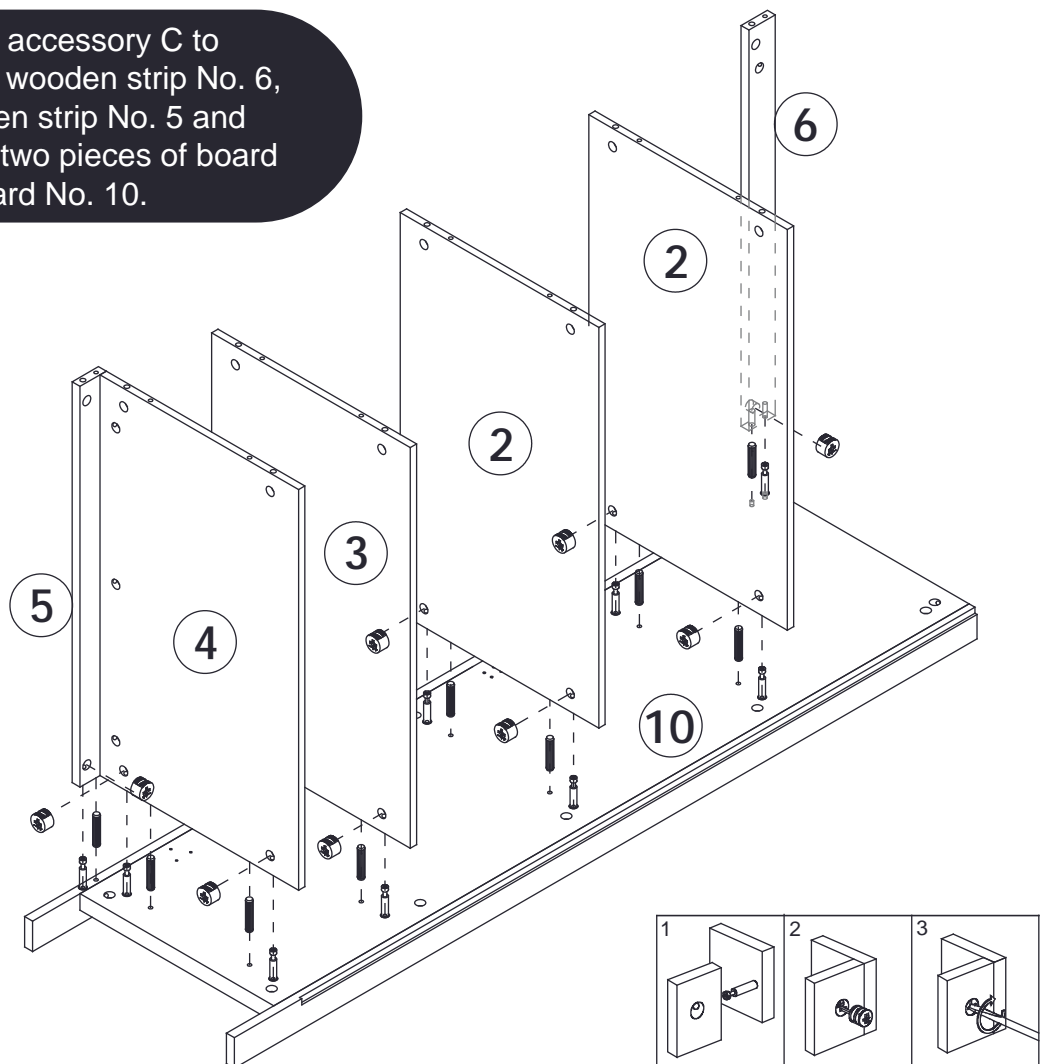




-  (A)x2pcs
-  (B)x3pcs
-  (C)x3pcs
-  (J)x1pc
-  (K)x2pcs

1. Screw accessory B vertically into wooden strip No. 5. Then, use accessory A and accessory C to attach wooden strip No. 5 to the side of board No. 4.  
 2. Use screw K to attach accessory J to board No. 3.

12

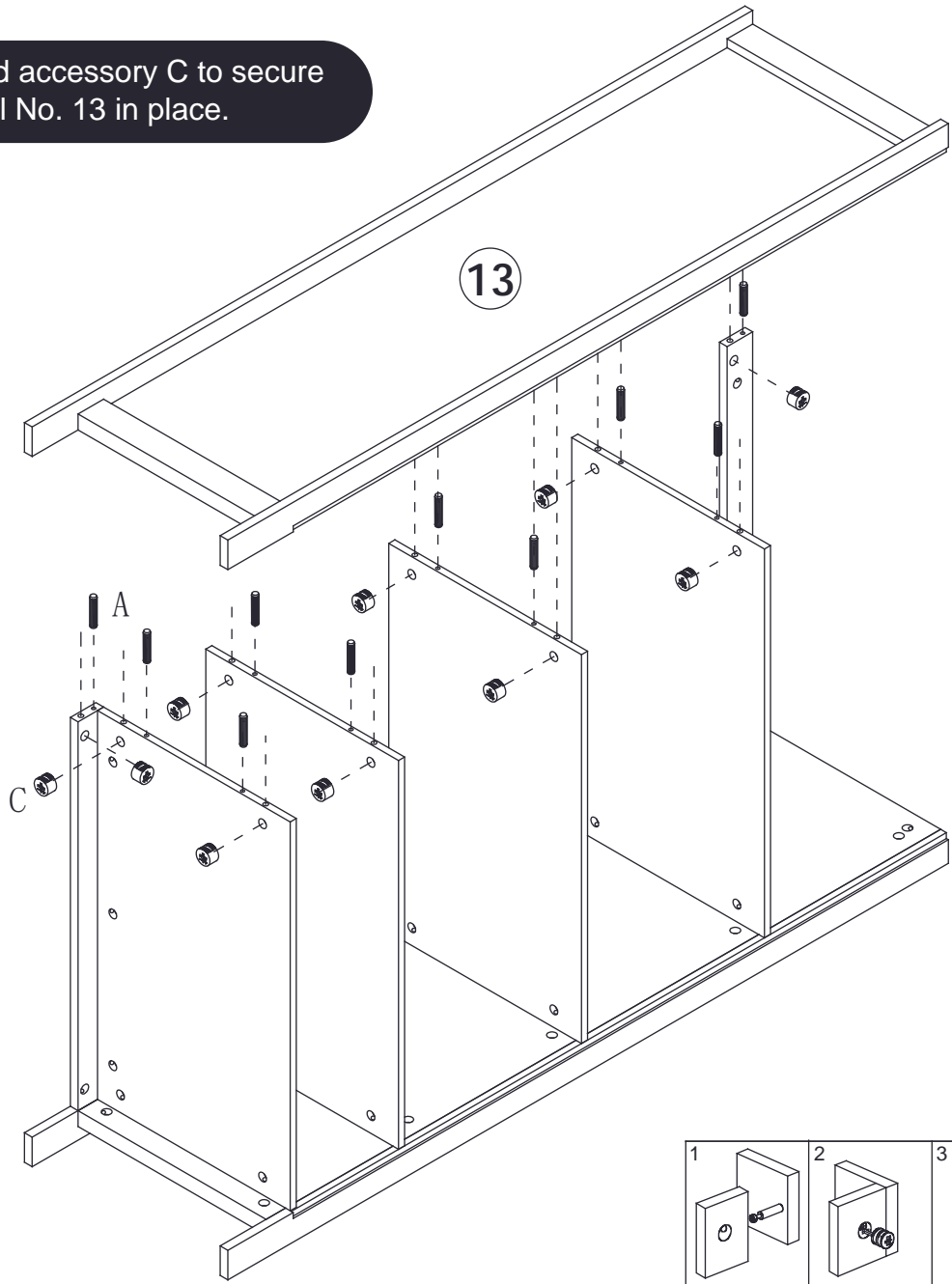
Use accessory A and accessory C to connect board No. 3, wooden strip No. 6, the assembled wooden strip No. 5 and board No. 4, and the two pieces of board No. 2 to the large board No. 10.





-  (A)x10pcs
-  (C)x10pcs

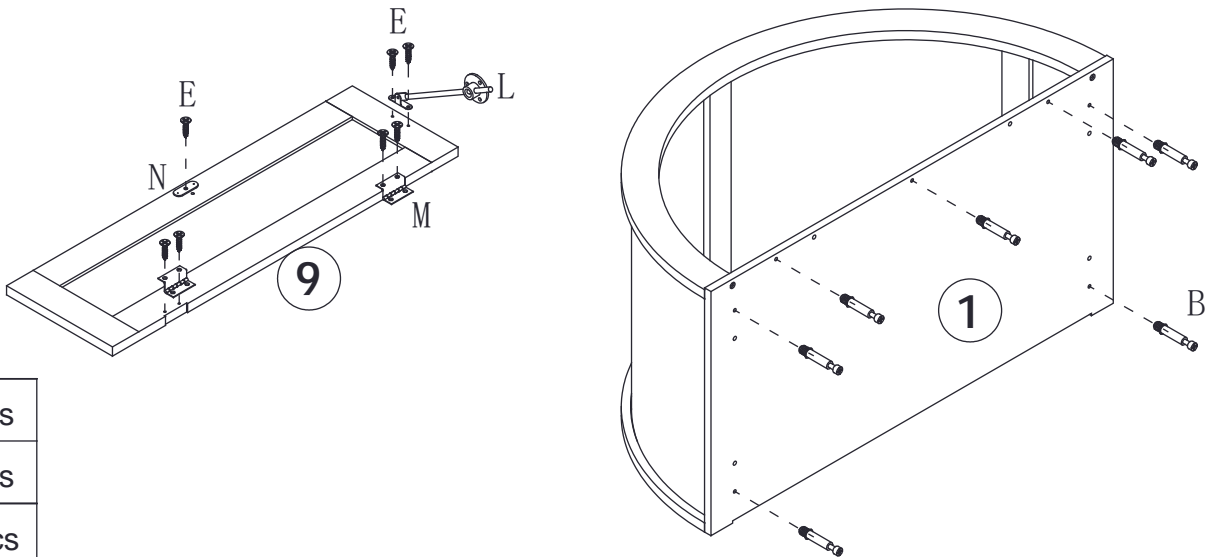
13






Use accessory A and accessory C to secure the assembled panel No. 13 in place.



-  (A)x10pcs
-  (C)x10pcs

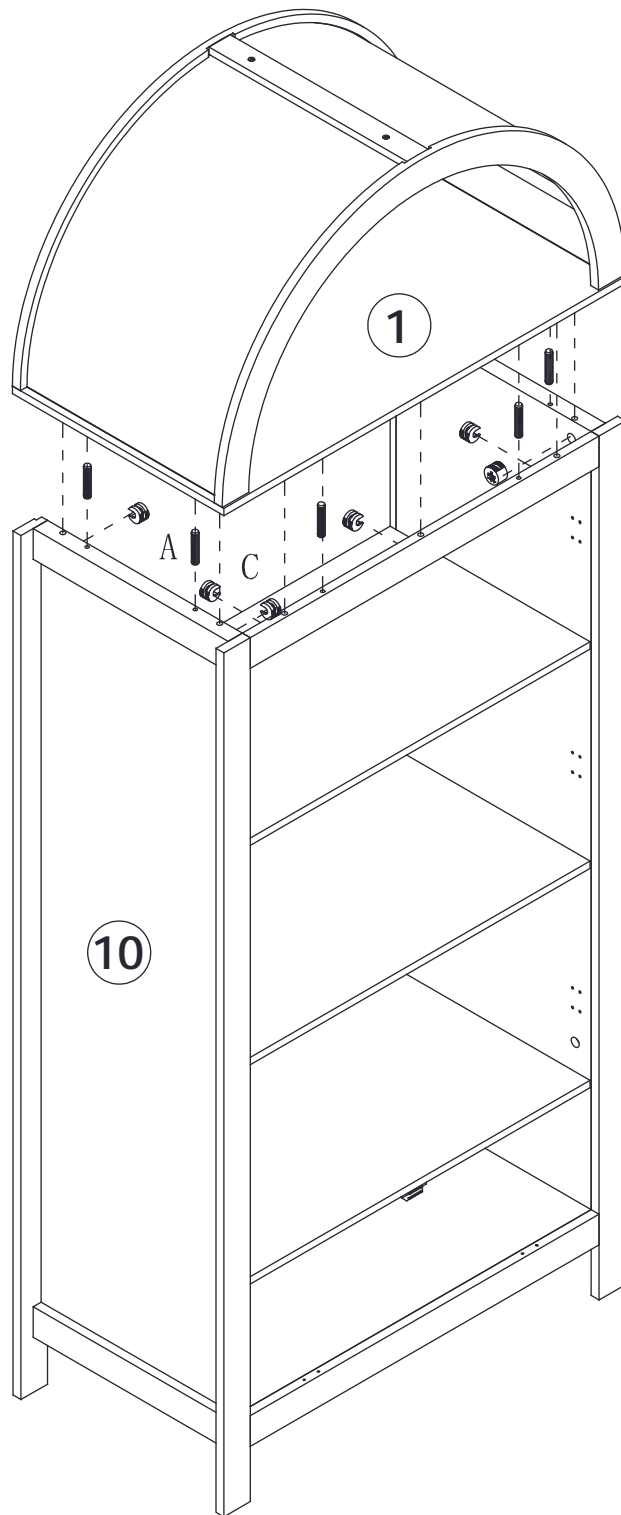
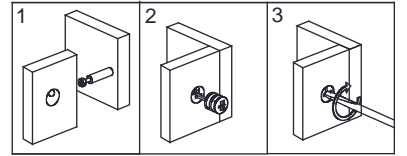
14





-  (B)x7pcs
-  (E)x7pcs
-  (M)x2pcs
-  (N)x1pc
-  (L)x1pc

1. Use screw E to attach accessories N, M, and L to panel No. 9.  
 2. Screw accessory B vertically into the assembled panel No. 1.

15

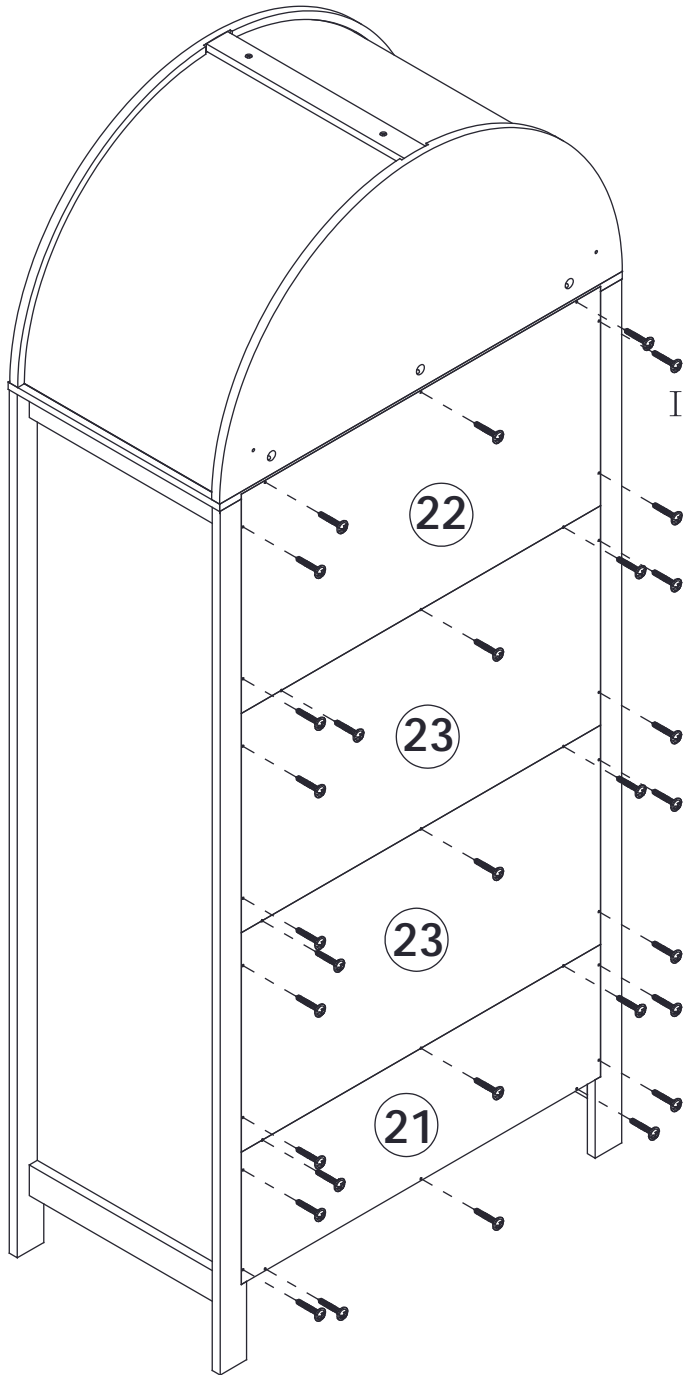



Use accessory A and accessory C to connect the arched part to the cabinet body.

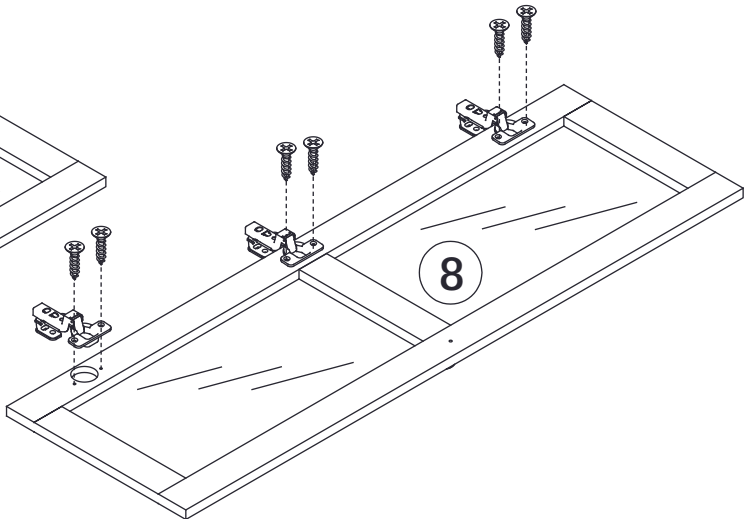
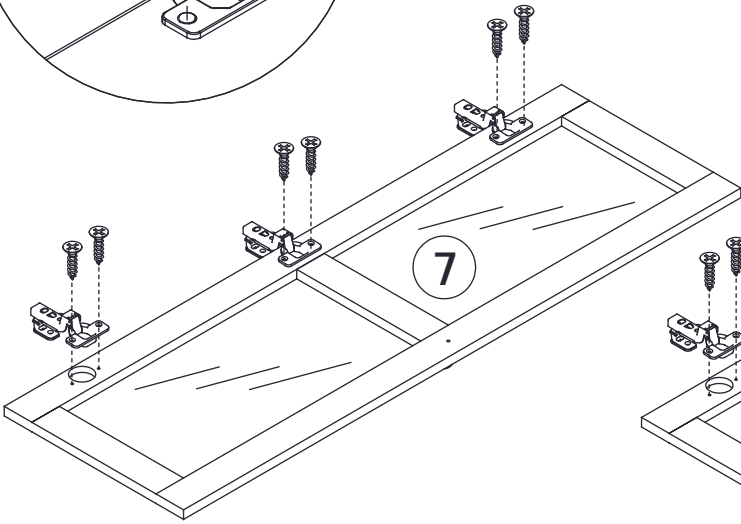
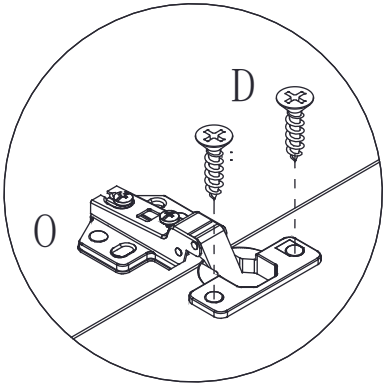
-  (A)x6pcs
-  (C)x7pcs

16

Screw in screw I into the back of the cabinet to secure it in place.

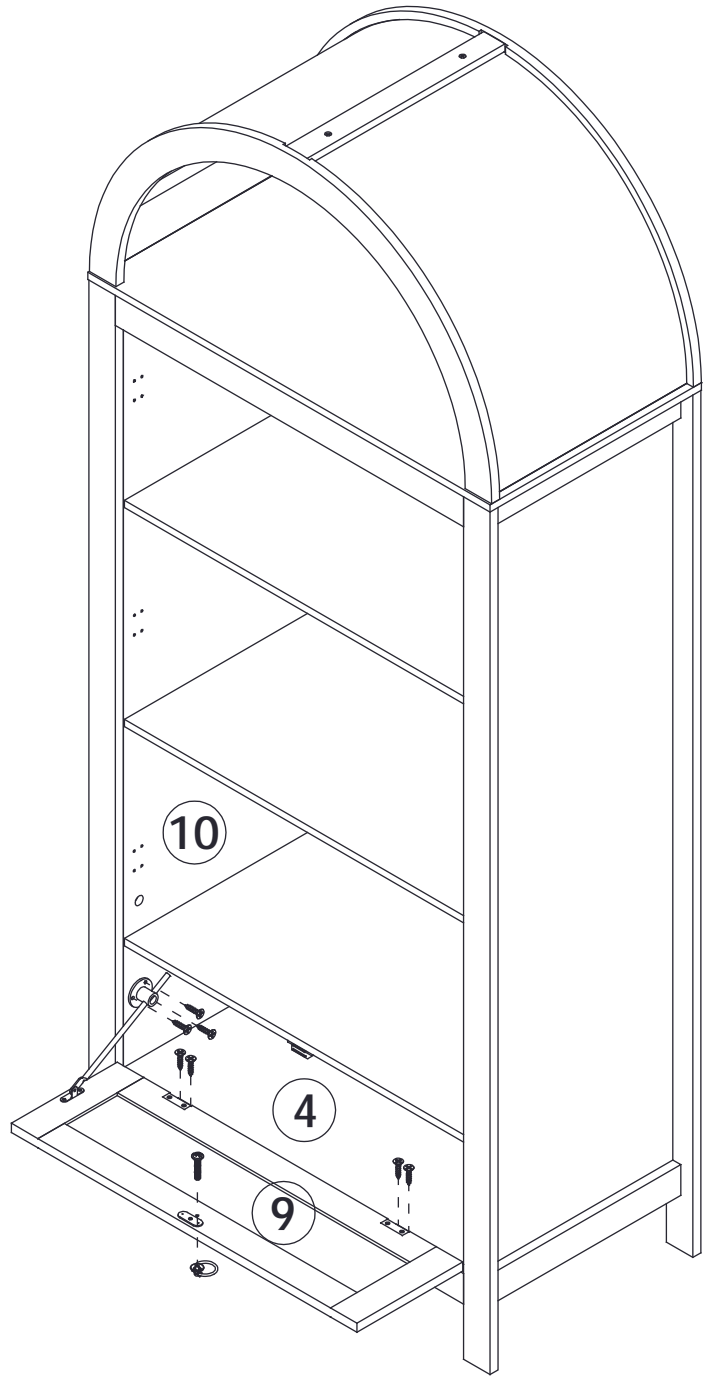
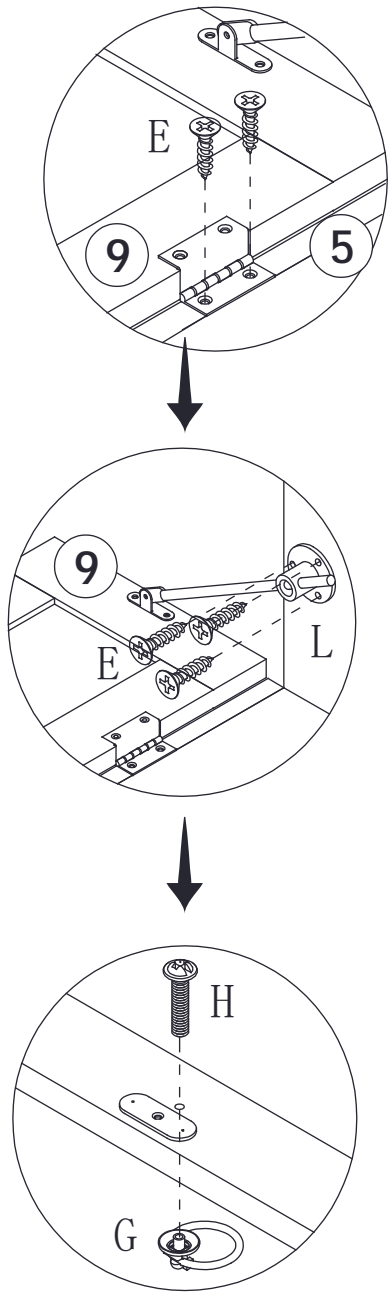





 (I)x31pcs



 (D)x12pcs  
 (O)x6pcs

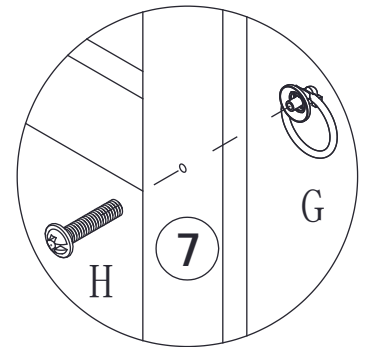
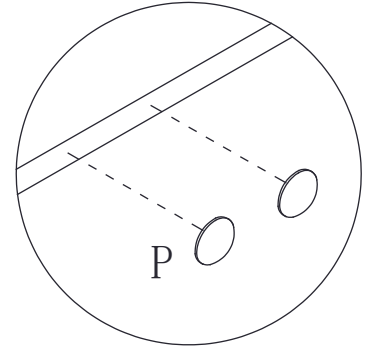
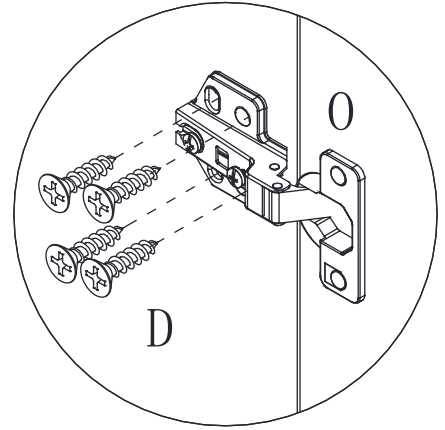
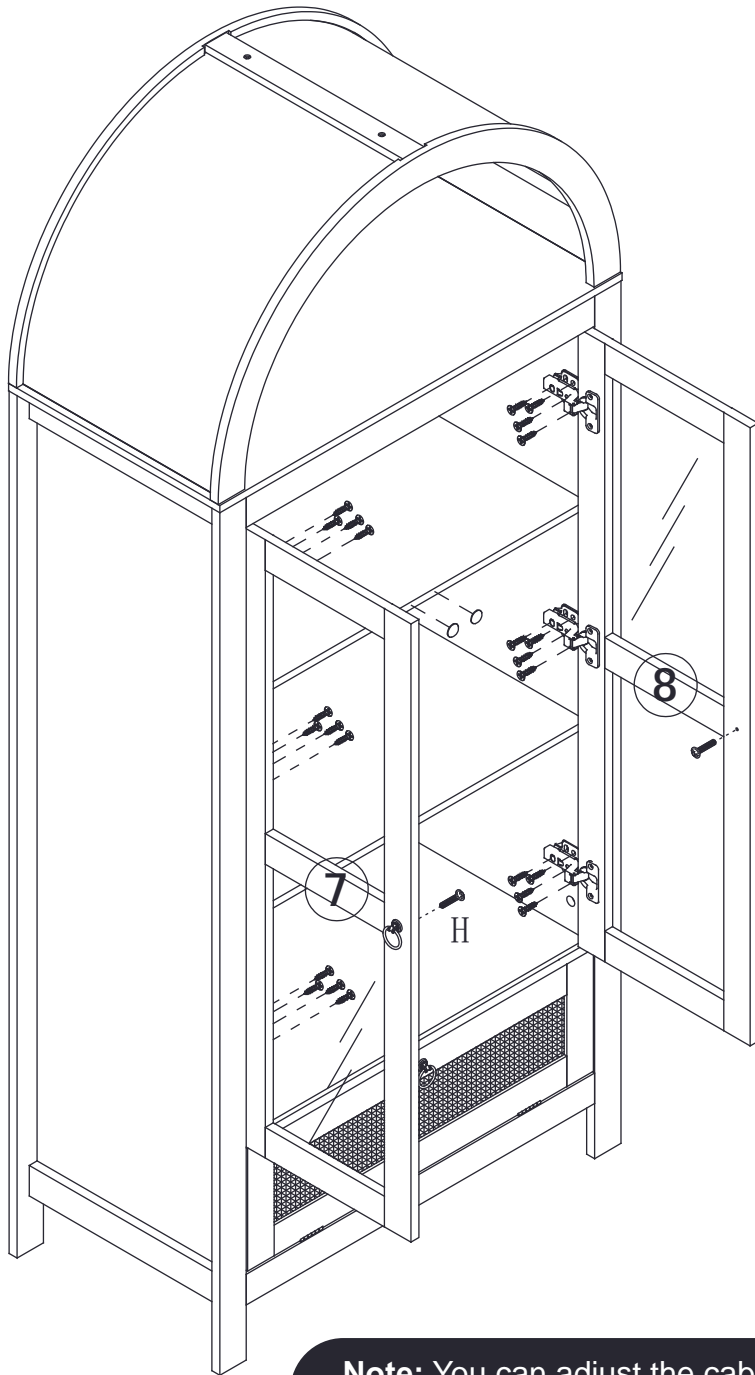
Use screw D to attach accessory O to the sides of cabinet doors No. 7 and No. 8.



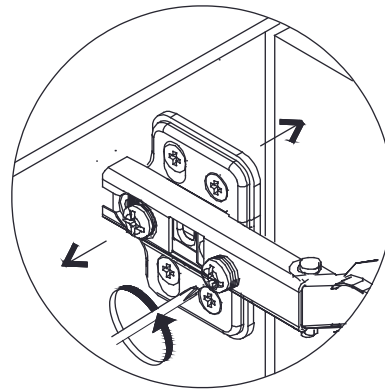
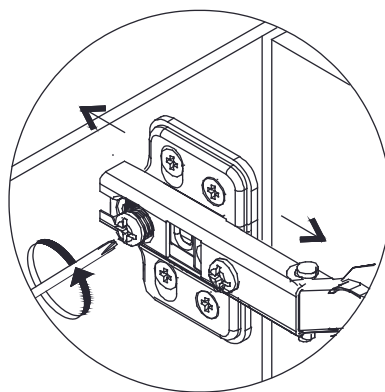
|  |          |
|--|----------|
|  | (E)x7pcs |
|  | (G)x1pc  |
|  | (H)x1pc  |





1. Use screw E to connect panel No. 9 to the cabinet body.
2. Fix accessories L to panel No. 10 using screw E as shown.
3. Use screw H to attach handle G to panel No. 9.

18



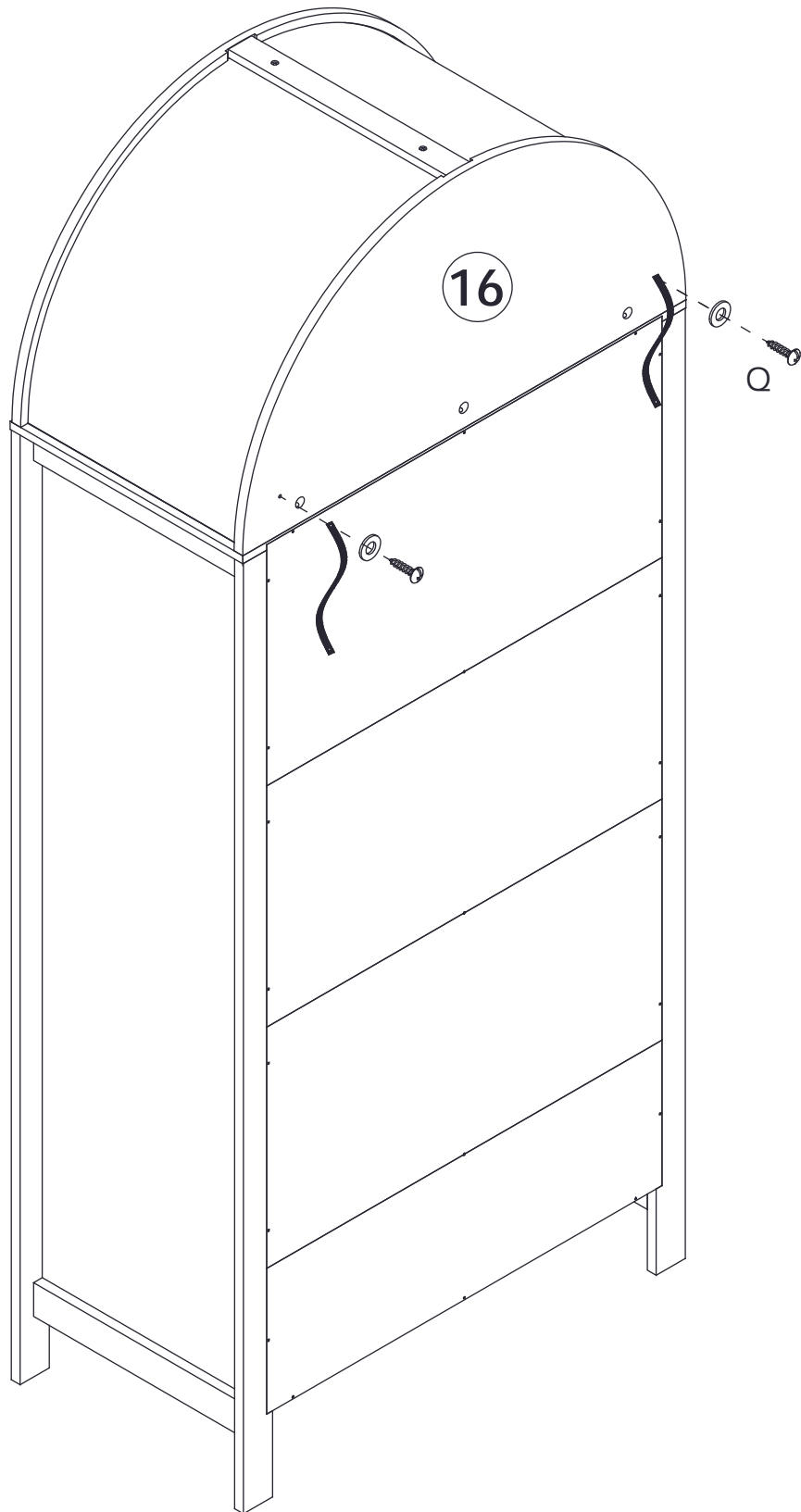
**Note:** You can adjust the cabinet doors left, right, up, or down by modifying the front and back adjustment points. :



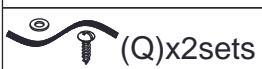
|  |           |
|--|-----------|
|  | (G)x2pcs  |
|  | (H)x2pcs  |
|  | (D)x24pcs |
|  | (P)x2pcs  |

1. Use screw D to connect the cabinet doors to the cabinet body.
2. Attach accessory P to the middle of the first shelf.
3. Use screw H to attach handle G to cabinet doors No. 7 and No. 8.

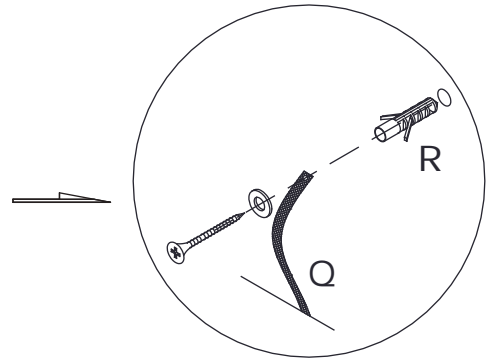
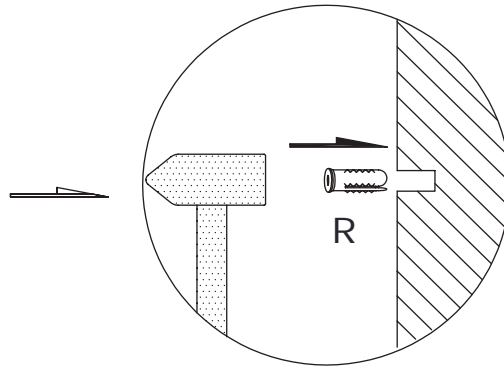
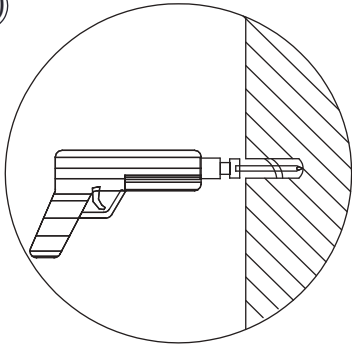
19



Attach wall straps Q to No. 16 with screws Q and flat washer Q as shown.

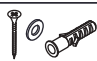


20



Make the fixing holes locations on the wall. Insert anchors R into holes until they are flush with the wall, then move assembly back into position.

Secure it to the wall by fixing screws R through flat washer R , then wall straps and into the anchors R as shown.

 (R)x2sets