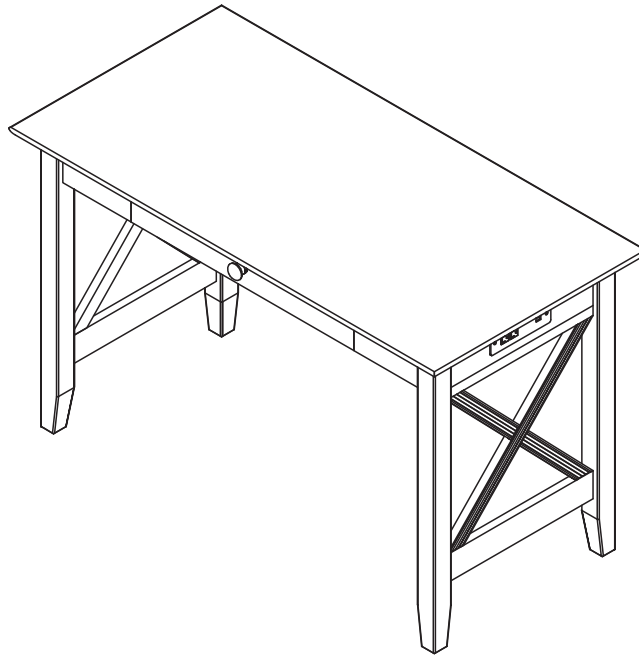
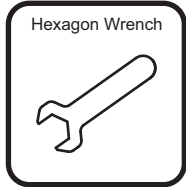


DESK WITH DRAWER CHARGING STATION

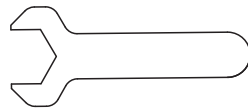
ASSEMBLY INSTRUCTIONS

Before assembling your Desk, please read through these instructions carefully and familiarize yourself with the different parts.



NOTE: WE INCLUDE SPARE HARDWARE IN CASE THE HEXAGON NUT, WASHER, WOODEN DOWEL, OR WOOD SCREW ARE DAMAGED DURING ASSEMBLY.

A Flat washer - 8 pcs
Spare - 2 pcs



D Wooden Dowel - 4 pcs
Spare - 1 pc



B Hexagon nut - 8 pcs
Spare - 2 pcs



C Hexagon wrench - 1 pc

E Wood Screw - 4 pcs
Spare - 1 pc

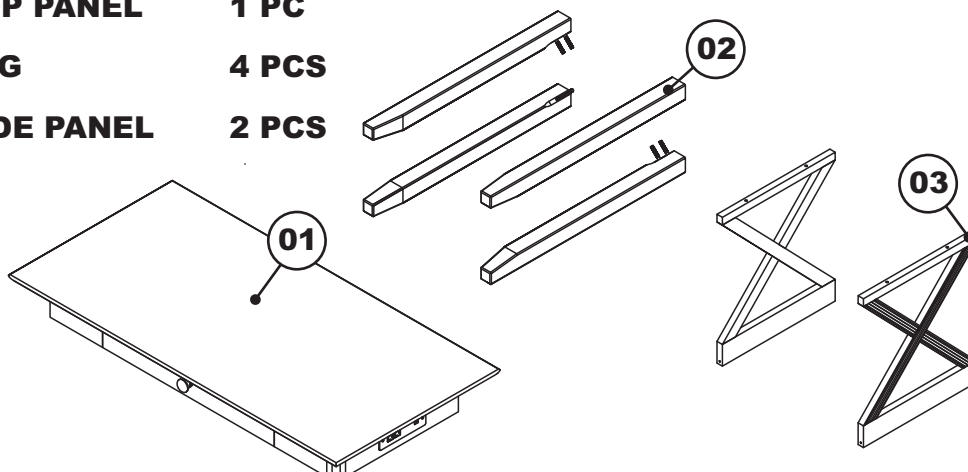


PARTS LIST

01 TOP PANEL 1 PC

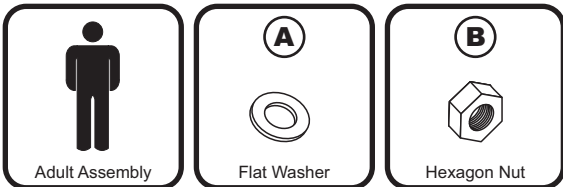
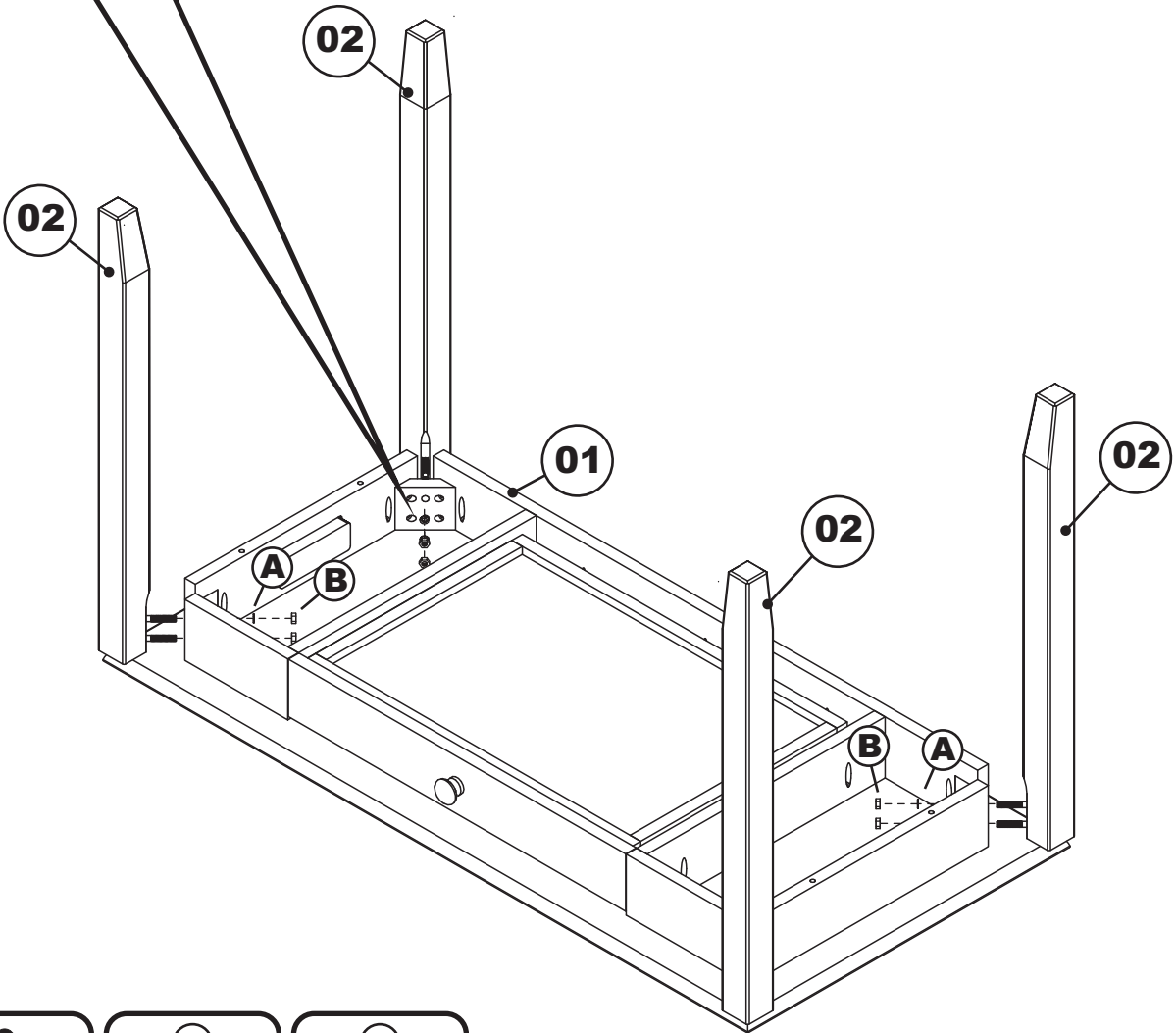
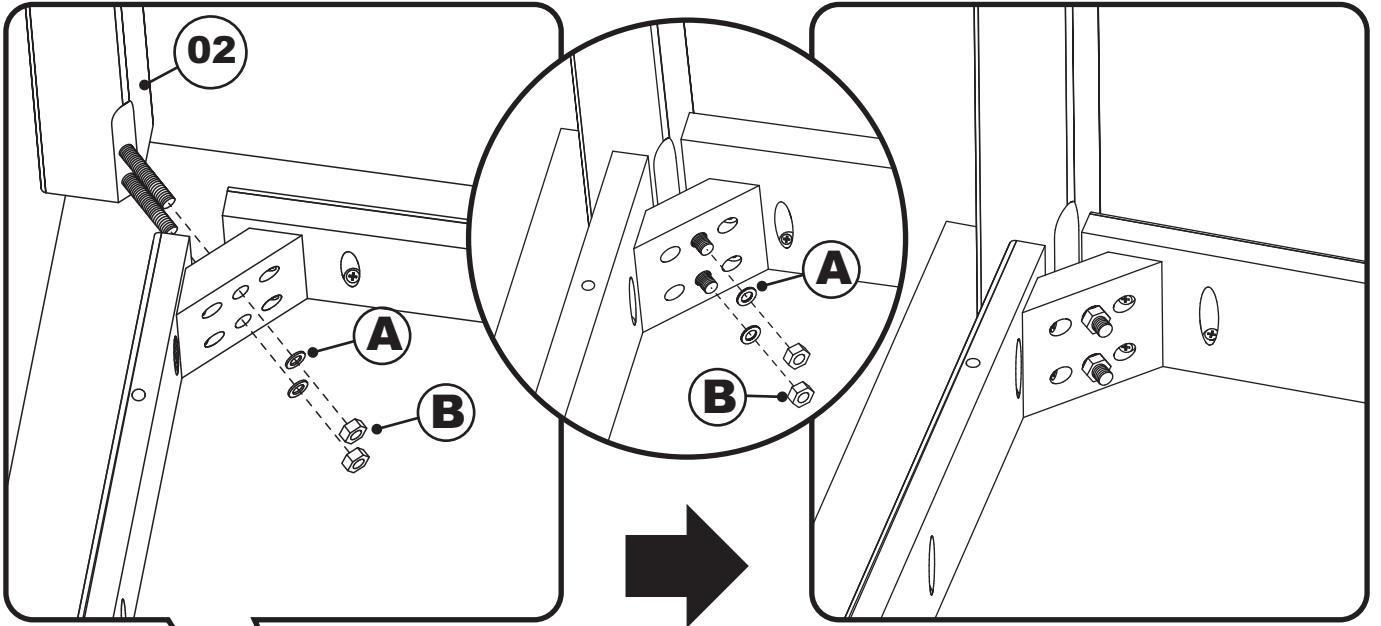
02 LEG 4 PCS

03 SIDE PANEL 2 PCS



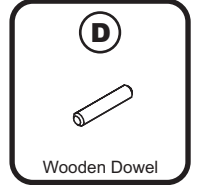
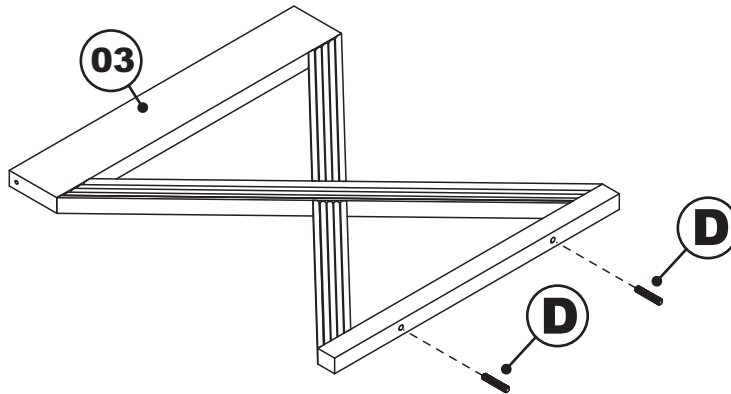
STEP 1

Attach the legs (02) to the top panel (01) using flat washers (A) and hexagon nuts (B), tighten with hexagon wrench (C), as shown below.

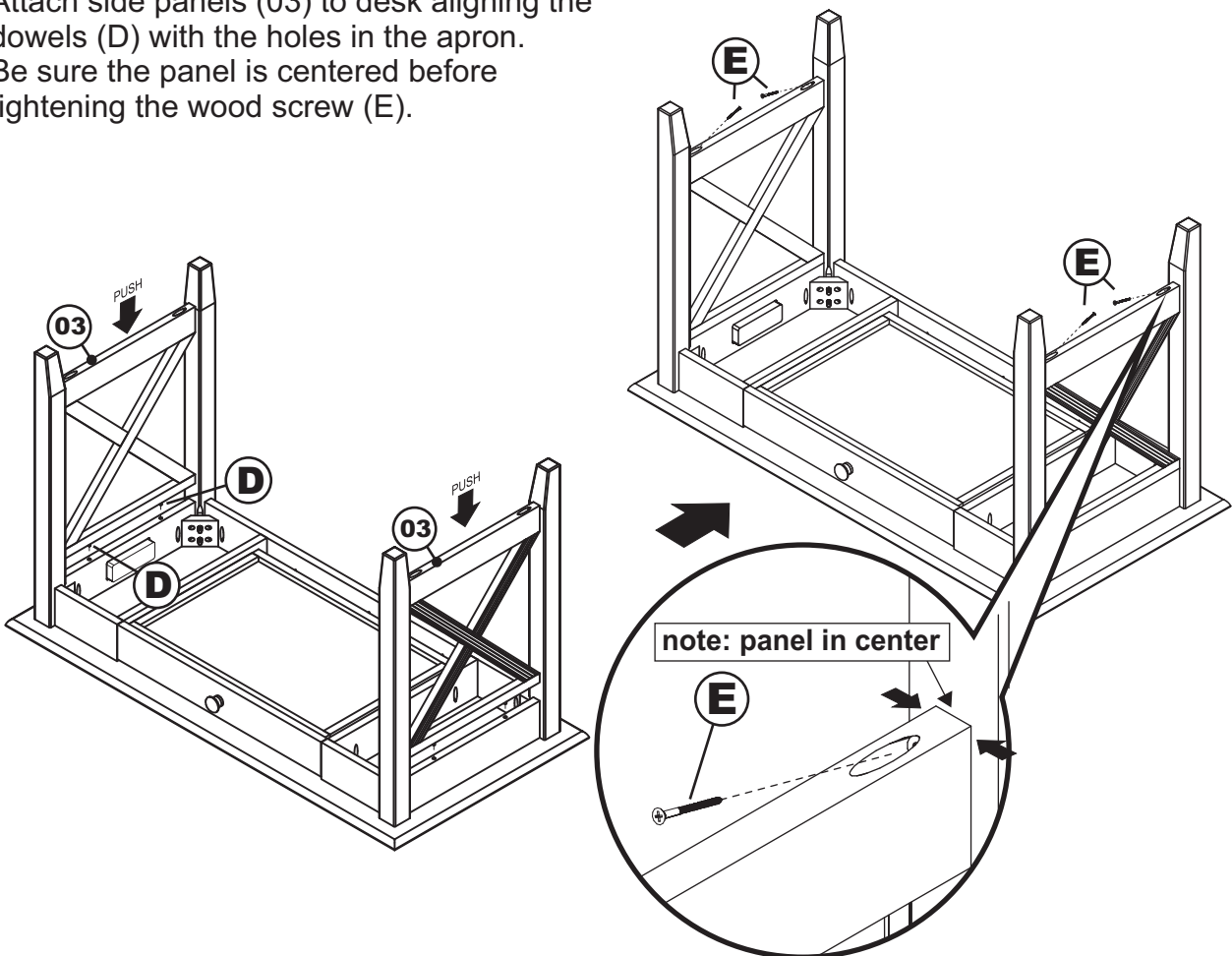


STEP 2

Install wooden dowels (D) into the locator holes on (03) as shown below. Repeat with the other panel.

**STEP 3**

Attach side panels (03) to desk aligning the dowels (D) with the holes in the apron. Be sure the panel is centered before tightening the wood screw (E).

**Congratulations!**

Your Desk is now ready for use.

To ensure lasting safety, we recommend that you periodically check that all screws are tight and all parts are secure.