

HAPPINESS HAPPINESS INSTALLATION



CAUTION

Parts are placed at the bottom of the product.

- If you have any questions with the product, please contact us by:
- **Email: customerservice@zoy-living.com**
(we will reply to you within 24 hours)

Assembly Instructions

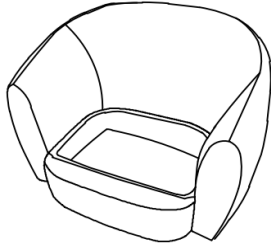
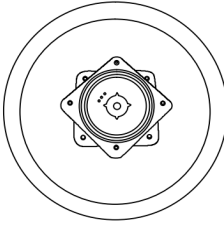
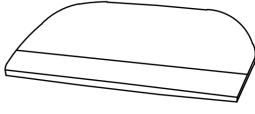
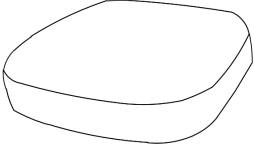
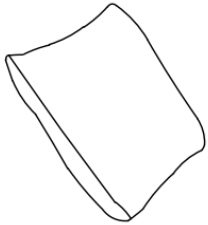
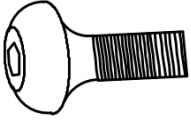

CAUTION

DO NOT use any sharp objects to open plastic wrapped components as this may result damage to product or components .

Model: CS0465AF91D

Your accent chair comes packaged in **One** box.
Carefully remove all of components from the packaging and setaside for assembly.

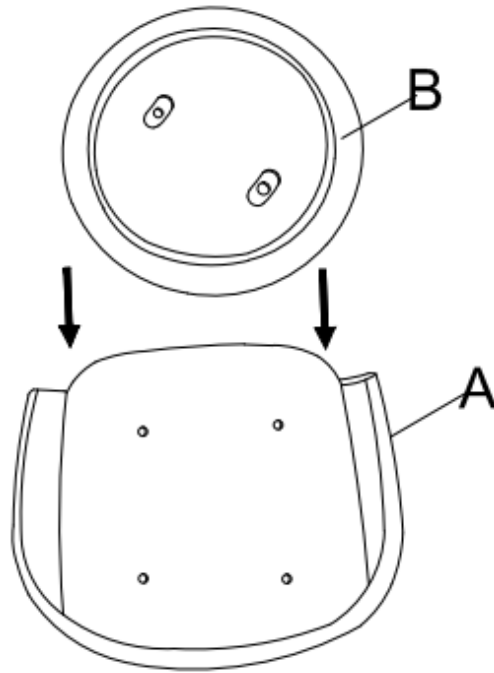
Package Contents

BOX 1 CS0465AF91D				
	A*1	B*1	C*1	D*1
				
	E*2	F*4	G*1	

1 ACCENT CHAIR ASSEMBLY - BODY SETUP

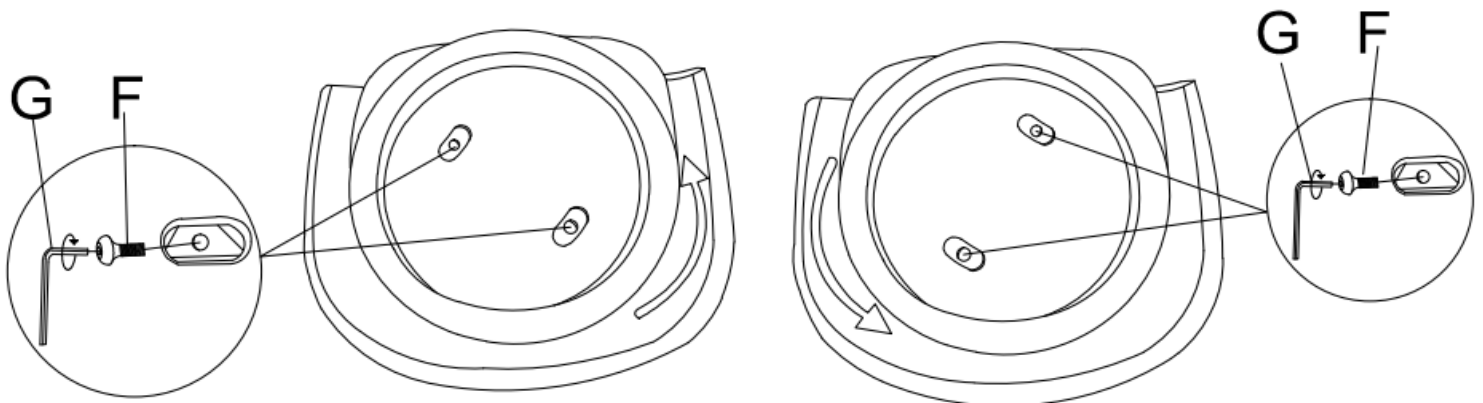
Step 1:

Place the removed turntable (B), with the iron side facing down, flat on the bottom of the seat frame (A), as shown in the figure.



Step 2 :

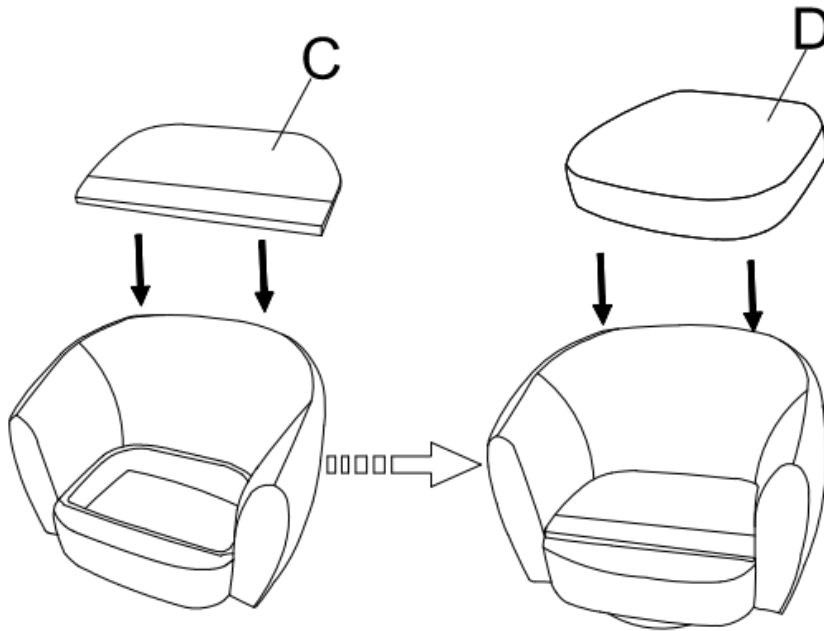
Align turntable (B) with the holes in base frame (A) by rotating the turntable, as shown in the figure. Then, use wrench (G) to securely tighten screw (F) into place, ensuring it is firmly fixed before use.



2 ACCENT CHAIR ASSEMBLY - BODY SETUP

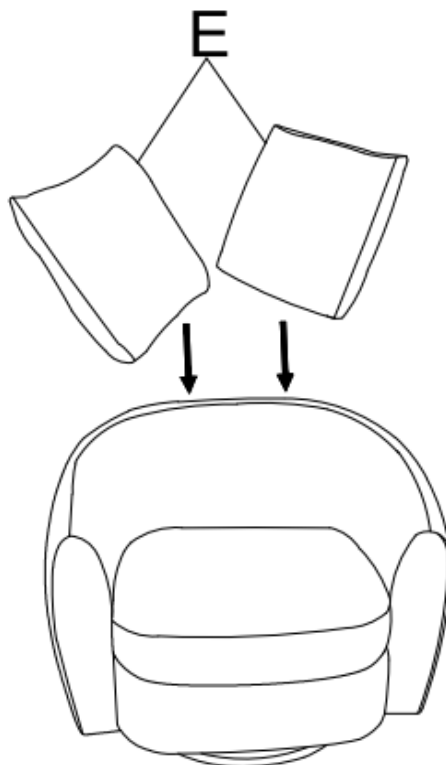
Step 3:

As shown in the picture, first place the cover plate (C) onto the seat storage compartment. After confirming it is positioned securely, place the seat cushion (D) on top of the seat and adjust it until it lies flat.



Step 4 :

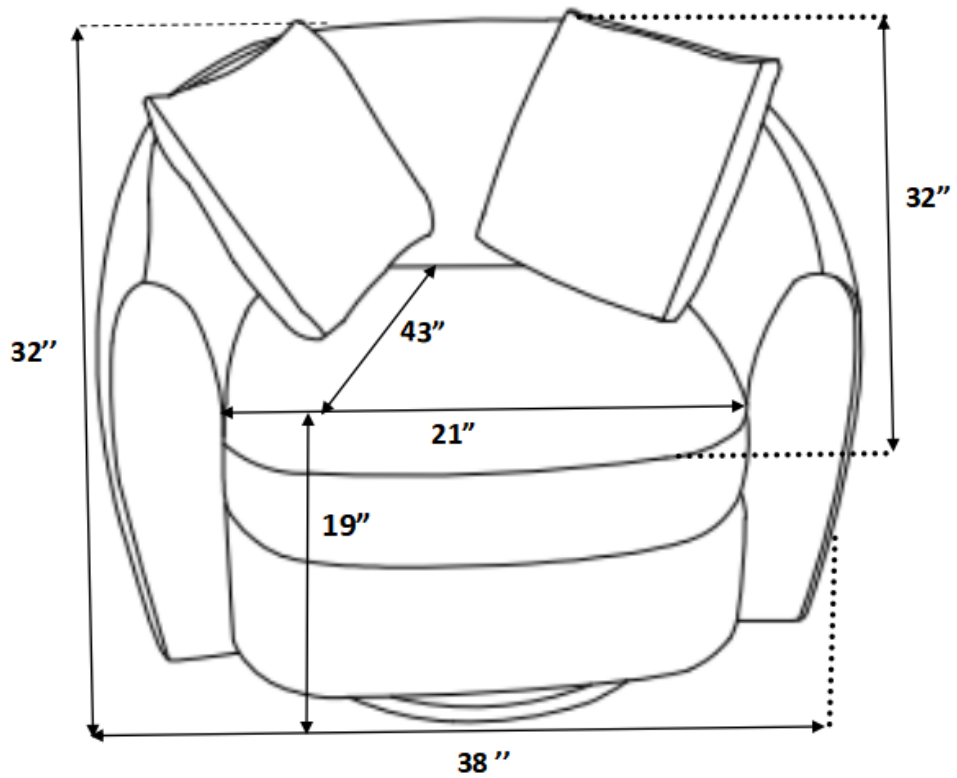
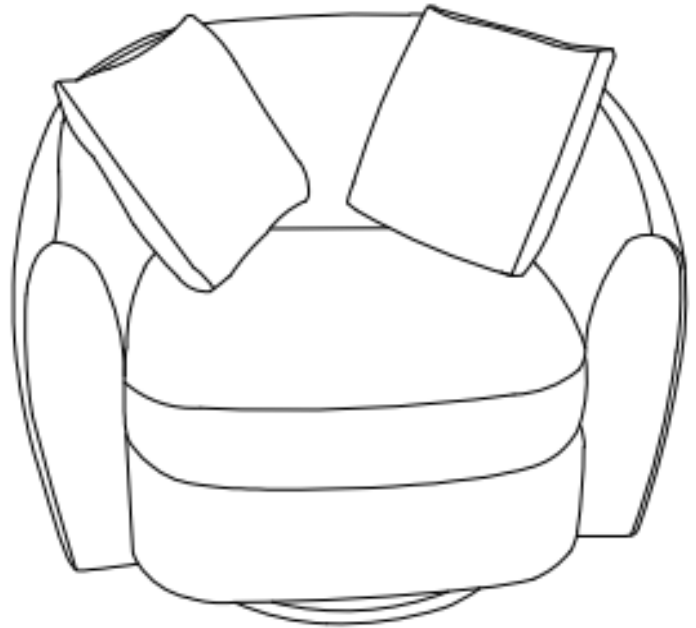
As shown in the picture, two backpacks (E) are placed on the sofa.



3

ACCENT CHAIR ASSEMBLY - BODY SETUP

ASSEMBLY COMPLETED



Accent Chair
CS0465AF91D

⚠️ WARNINGS

1. Please check if the components of the chair are all included and can be used normally.
2. Ensure all components are assembled correctly according to the instructions before connecting the chair to the power.
3. Please DO NOT sit on the armrests or footrests to eliminate the risk of tipping over.
4. If the chair is damaged or doesn't match the website description, please send clear pictures of the product and label of the carton to our service team for further help.
5. If you have any questions about our products, please contact us by:
Email: customerservice@zoy-living.com (we will respond to your inquire within 24hours)

