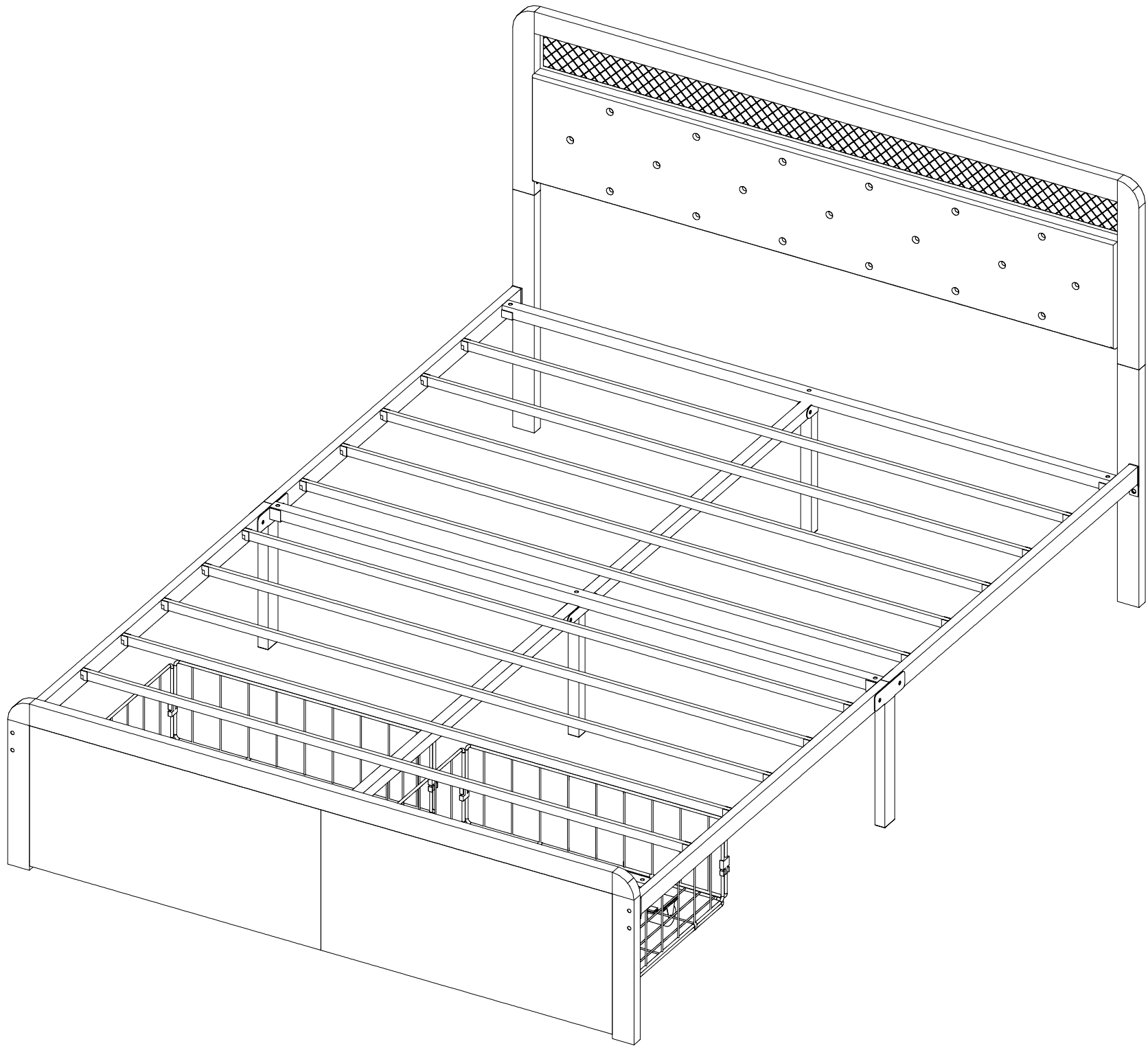


Assembly Instruction



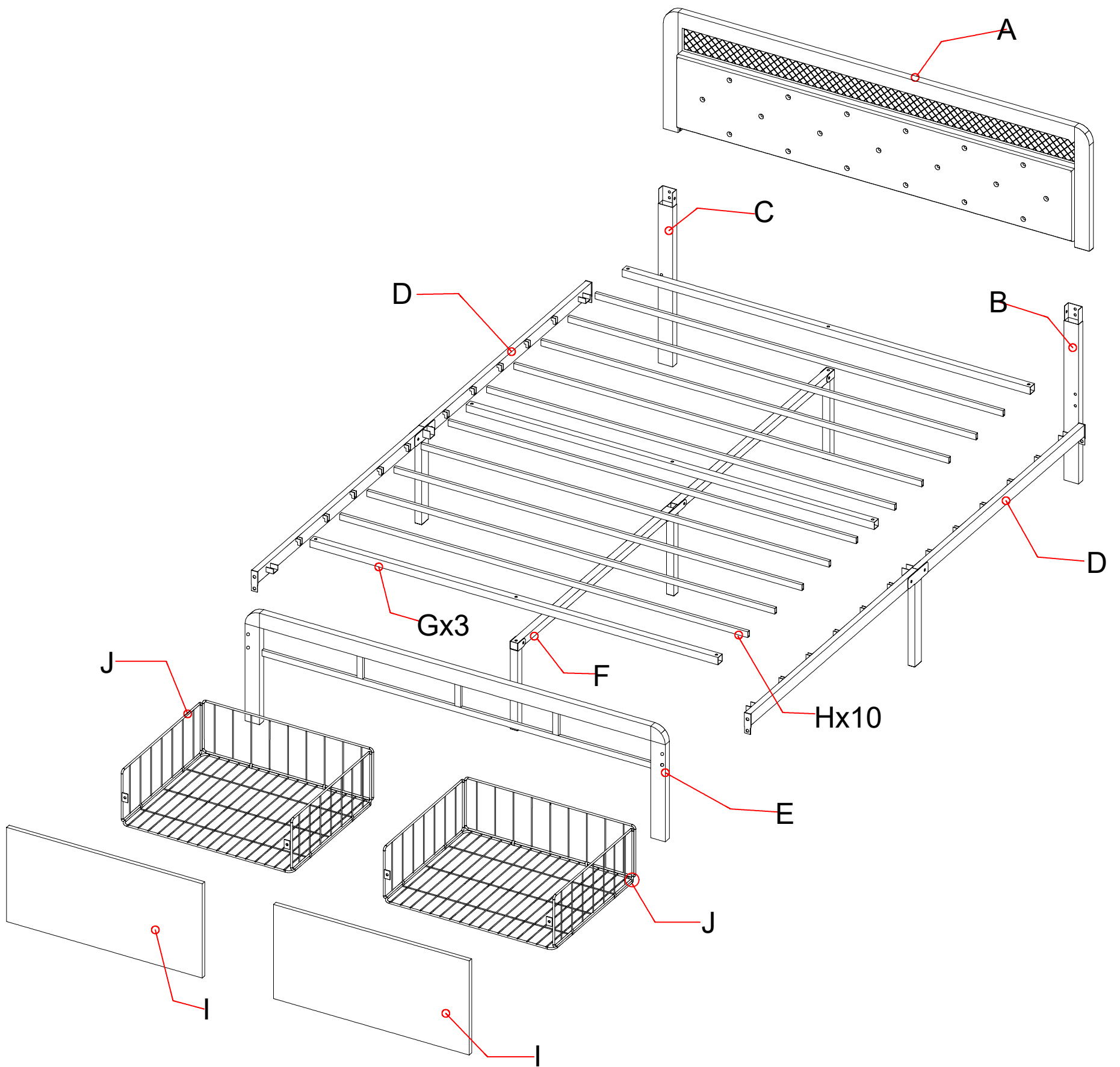
Instruction Manual

Thank you for shopping with us!

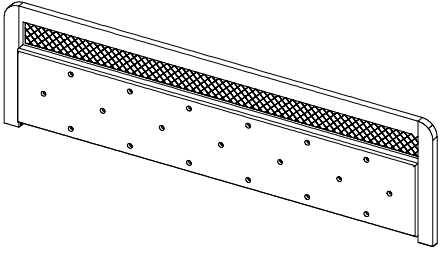
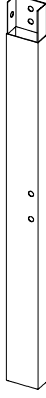
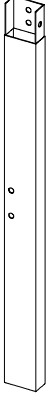
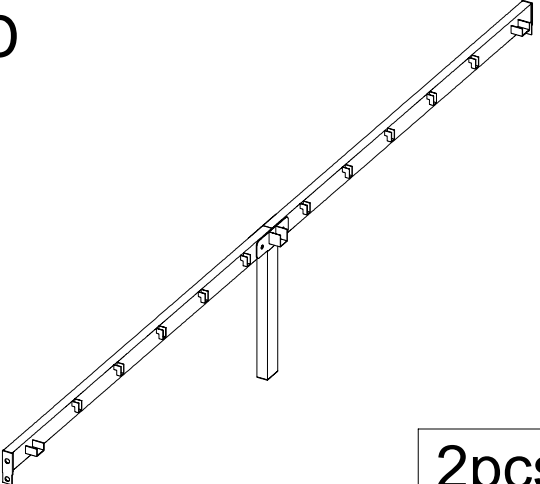
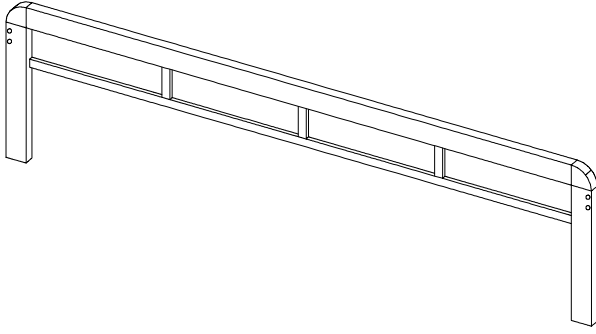
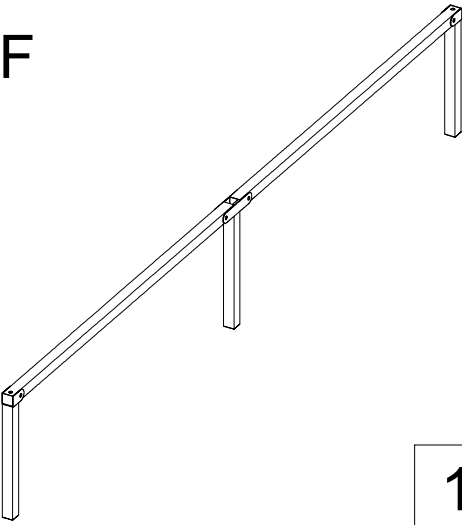
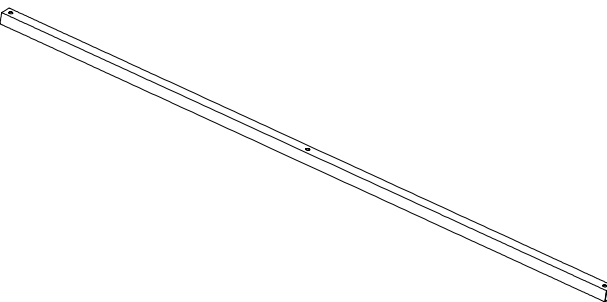
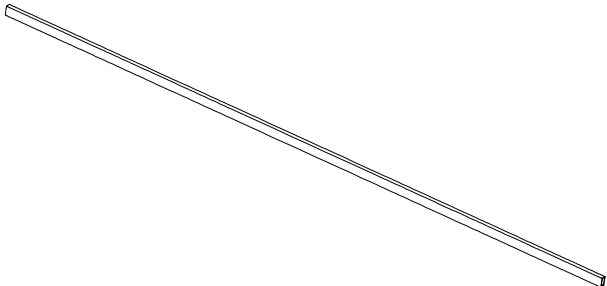
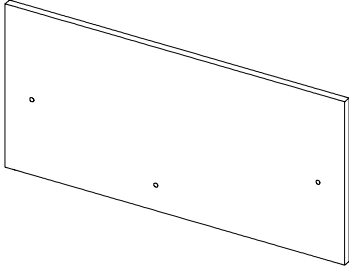
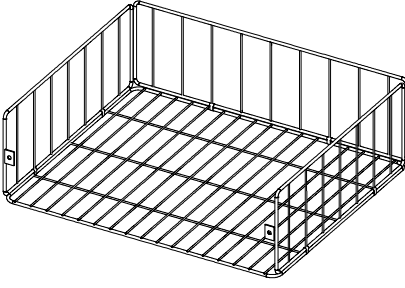
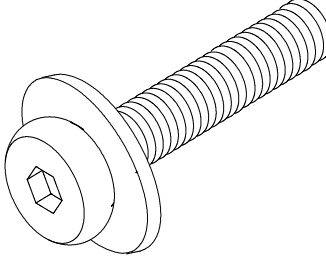
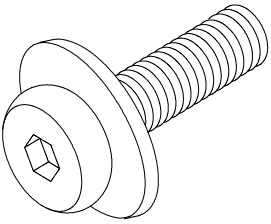
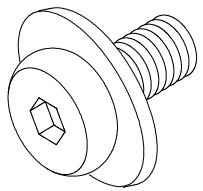
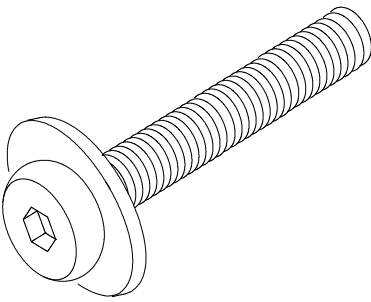
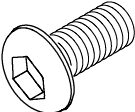
We appreciate your purchase and are ready to be at your service!

if you find parts missing, broken, or hard to put together or when you are not satisfied or have any valuable suggestions, please do not hesitate to contact us first!

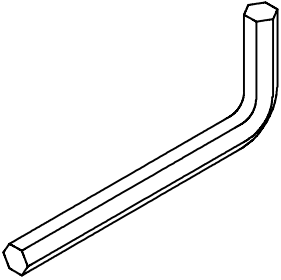
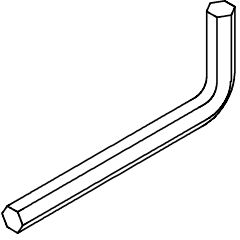
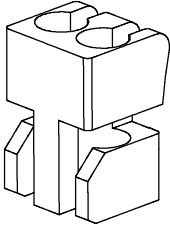
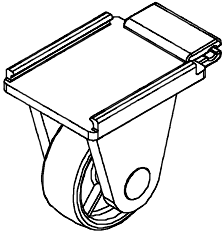
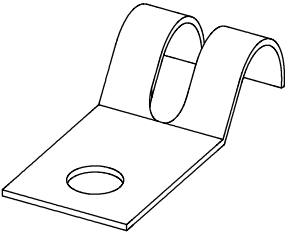
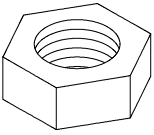
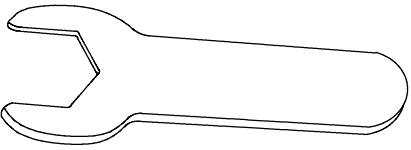
We will definitely give you a satisfactory solution or answer then!



Parts List (EN)/ Teile Liste(DE)

<p>A</p>  <p>1pc</p>	<p>B</p>  <p>1pc</p>	<p>C</p>  <p>1pc</p>
<p>D</p>  <p>2pcs</p>	<p>E</p>  <p>1pc</p>	<p>F</p>  <p>1pc</p>
<p>G</p>  <p>3pcs</p>	<p>H</p>  <p>10pcs</p>	<p>I</p>  <p>2pcs</p>
<p>J</p>  <p>2pcs</p>	<p>K</p>  <p>M8x35mm 8pcs</p>	<p>L</p>  <p>M8x25mm 6pcs</p>
<p>M</p>  <p>M8x14mm 6pcs</p>	<p>N</p>  <p>M8x55mm 3pcs</p>	<p>O</p>  <p>M6x12mm 6pcs</p>

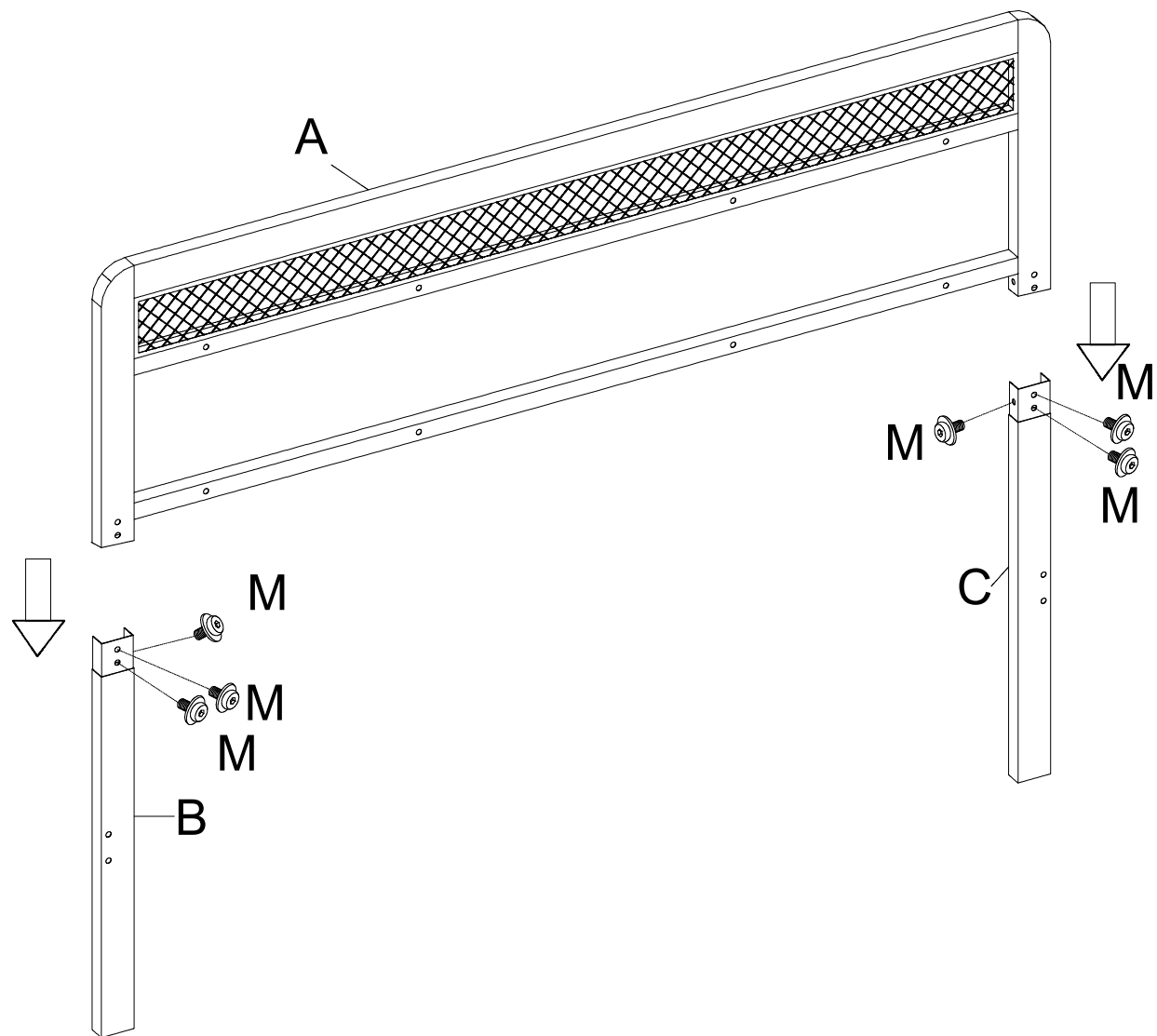
Parts List (EN)/ Teile Liste(DE)



<p>P Inner allen wrench</p> <div style="text-align: center; margin: 10px 0;">  </div> <div style="display: flex; justify-content: space-between; margin-top: 10px;"> D5 1pc </div>	<p>Q Inner allen wrench</p> <div style="text-align: center; margin: 10px 0;">  </div> <div style="display: flex; justify-content: space-between; margin-top: 10px;"> D4 1pc </div>	<p>R</p> <div style="text-align: center; margin: 10px 0;">  </div> <div style="display: flex; justify-content: flex-end; margin-top: 10px;"> 4pcs </div>
<p>S</p> <div style="text-align: center; margin: 10px 0;">  </div> <div style="display: flex; justify-content: flex-end; margin-top: 10px;"> 8pcs </div>	<p>T</p> <div style="text-align: center; margin: 10px 0;">  </div> <div style="display: flex; justify-content: flex-end; margin-top: 10px;"> 2pcs </div>	<p>U</p> <div style="text-align: center; margin: 10px 0;">  </div> <div style="display: flex; justify-content: flex-end; margin-top: 10px;"> 4pcs </div>
<p>V</p> <div style="text-align: center; margin: 10px 0;">  </div> <div style="display: flex; justify-content: flex-end; margin-top: 10px;"> 1pc </div>		

Assembly Steps (EN)/ Montageschritte(DE)

STEP 1

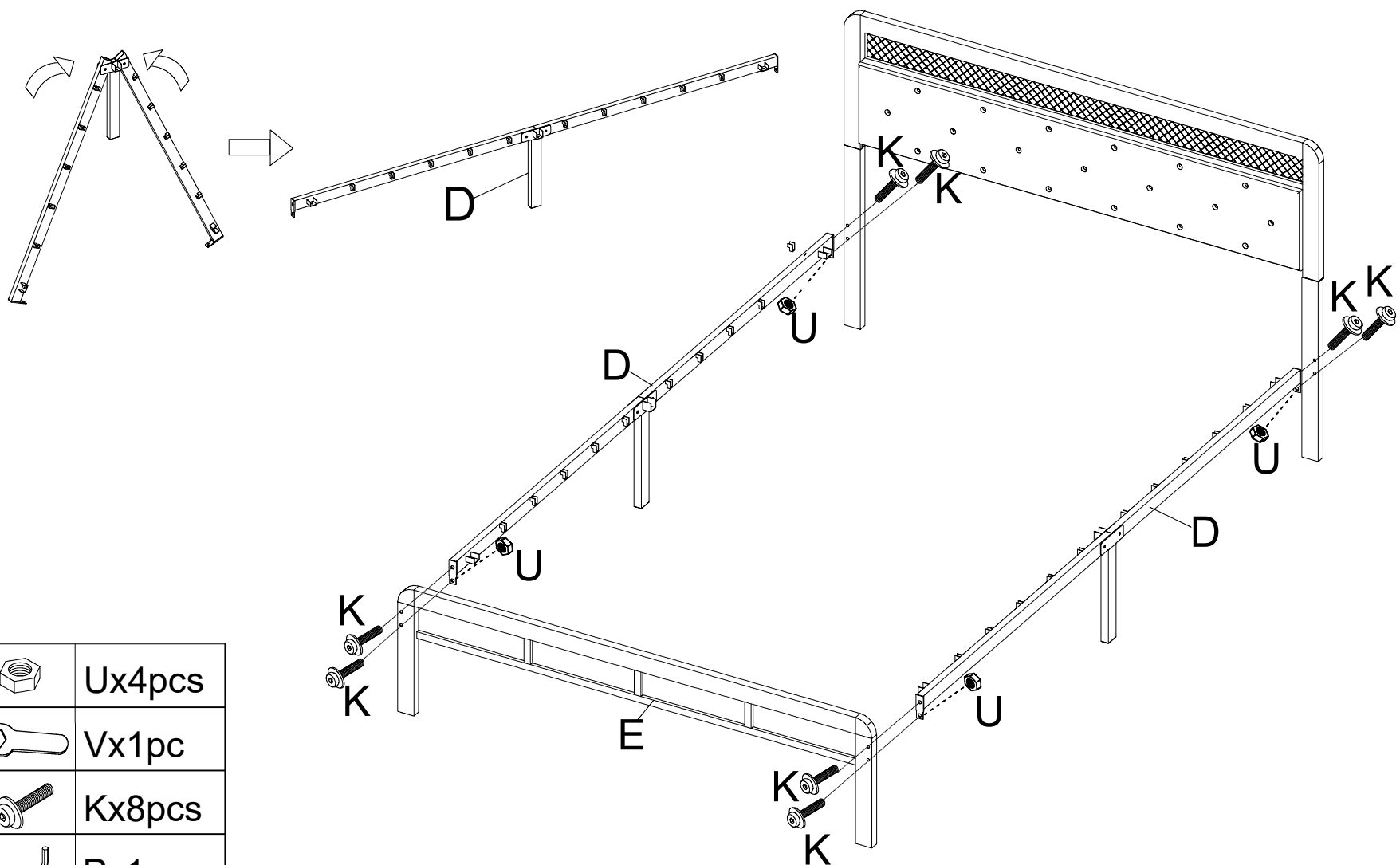
Install the headboard

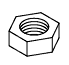

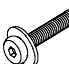



	Mx6pcs
	Px1pc

STEP 2

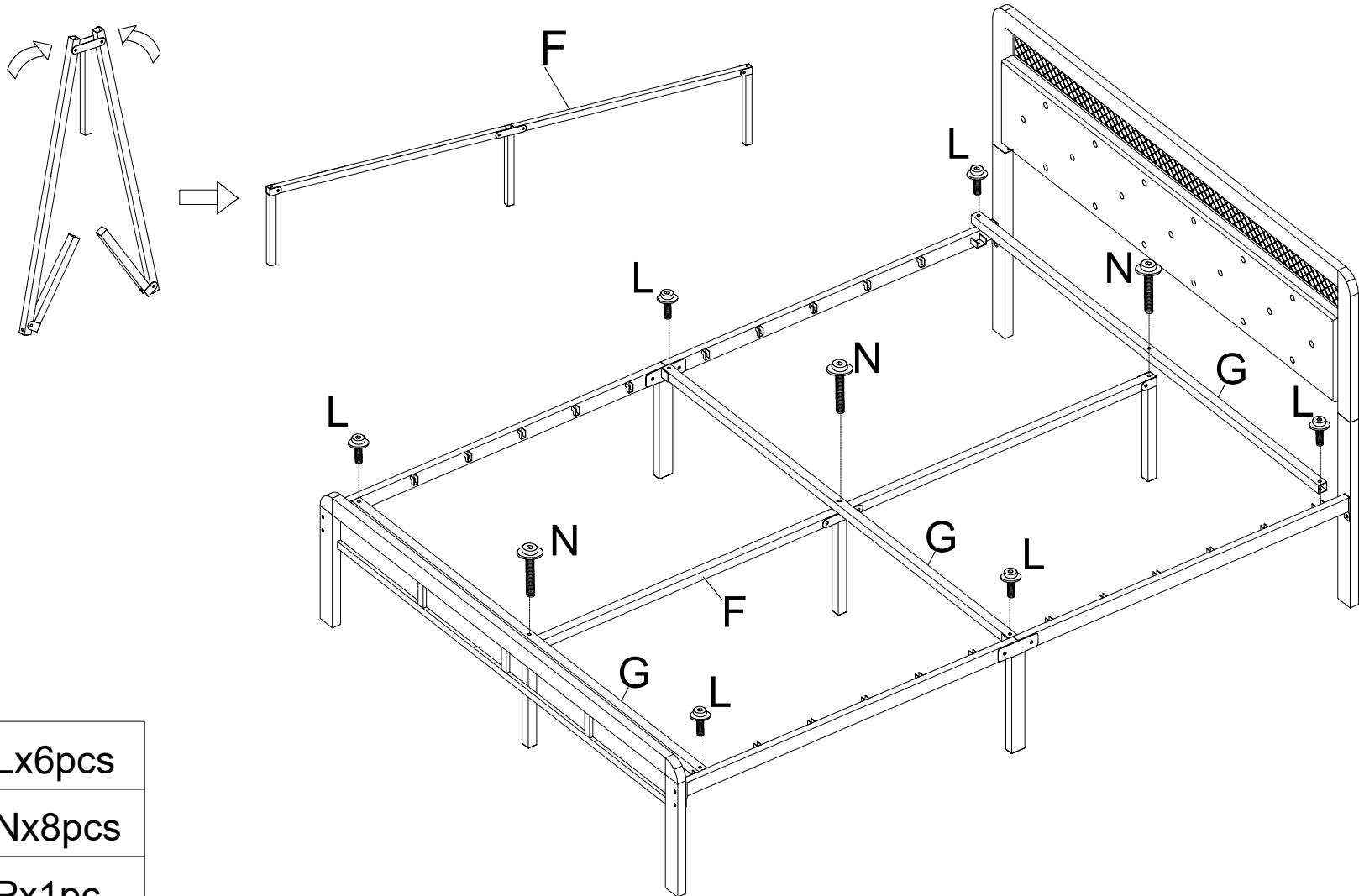
Connect the headboard and the footboard by fixing the side rail D into them

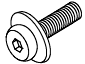
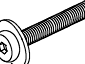



	Ux4pcs
	Vx1pc
	Kx8pcs
	Px1pc

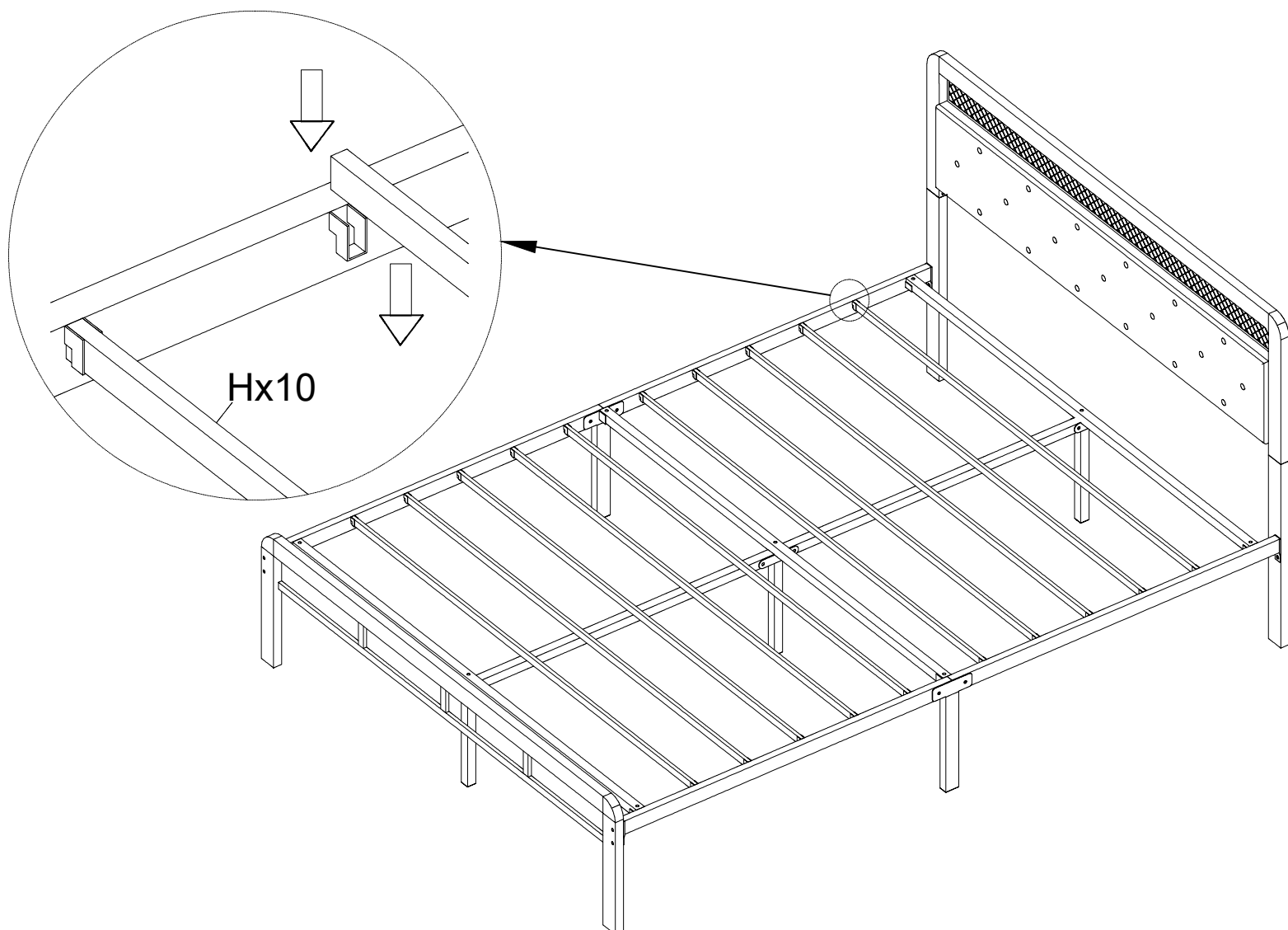
Assembly Steps (EN)/ Montageschritte(DE)

STEP 3 Fix rail F into the headboard and the footboard.
Put the beam G across the middle of the 3 rails and install it.



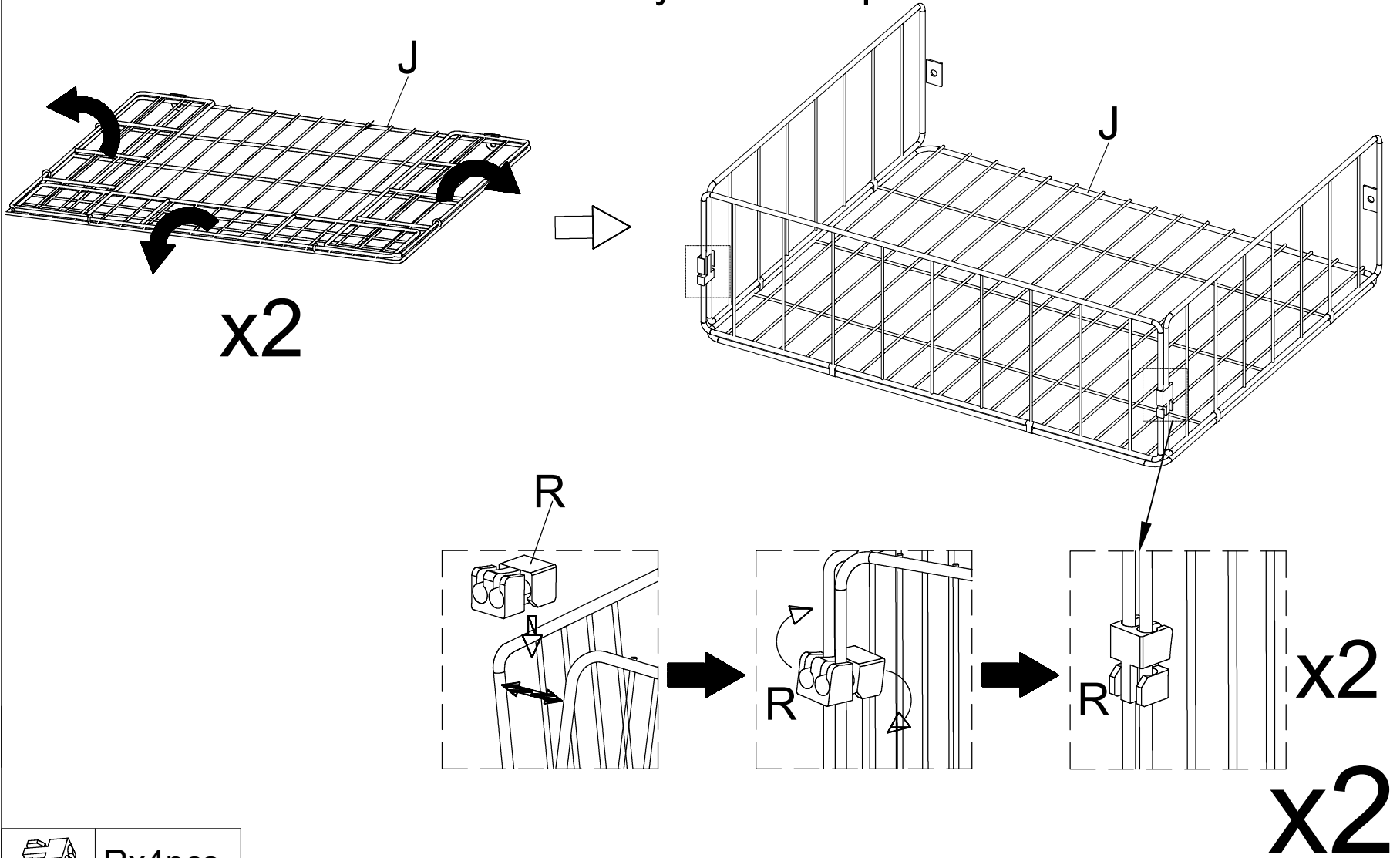
	Lx6pcs
	Nx8pcs
	Px1pc

STEP 4 Insert the slats into the slots



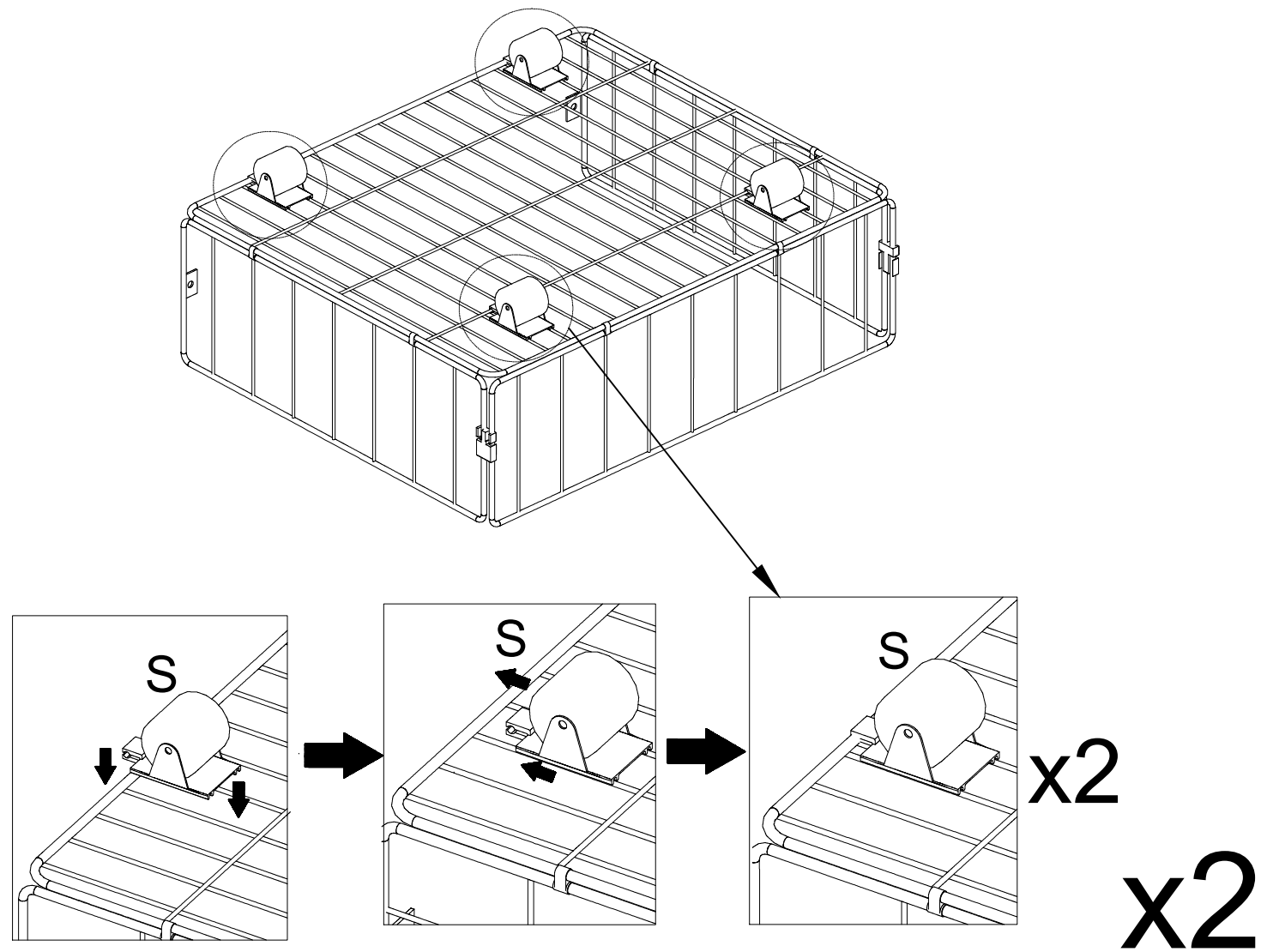
Assembly Steps (EN)/ Montageschritte(DE)

STEP 5 Unfold the drawer sides and connect the sides by the clamps



Rx4pcs

STEP 6 Insert the wheels onto the bottom of the drawer

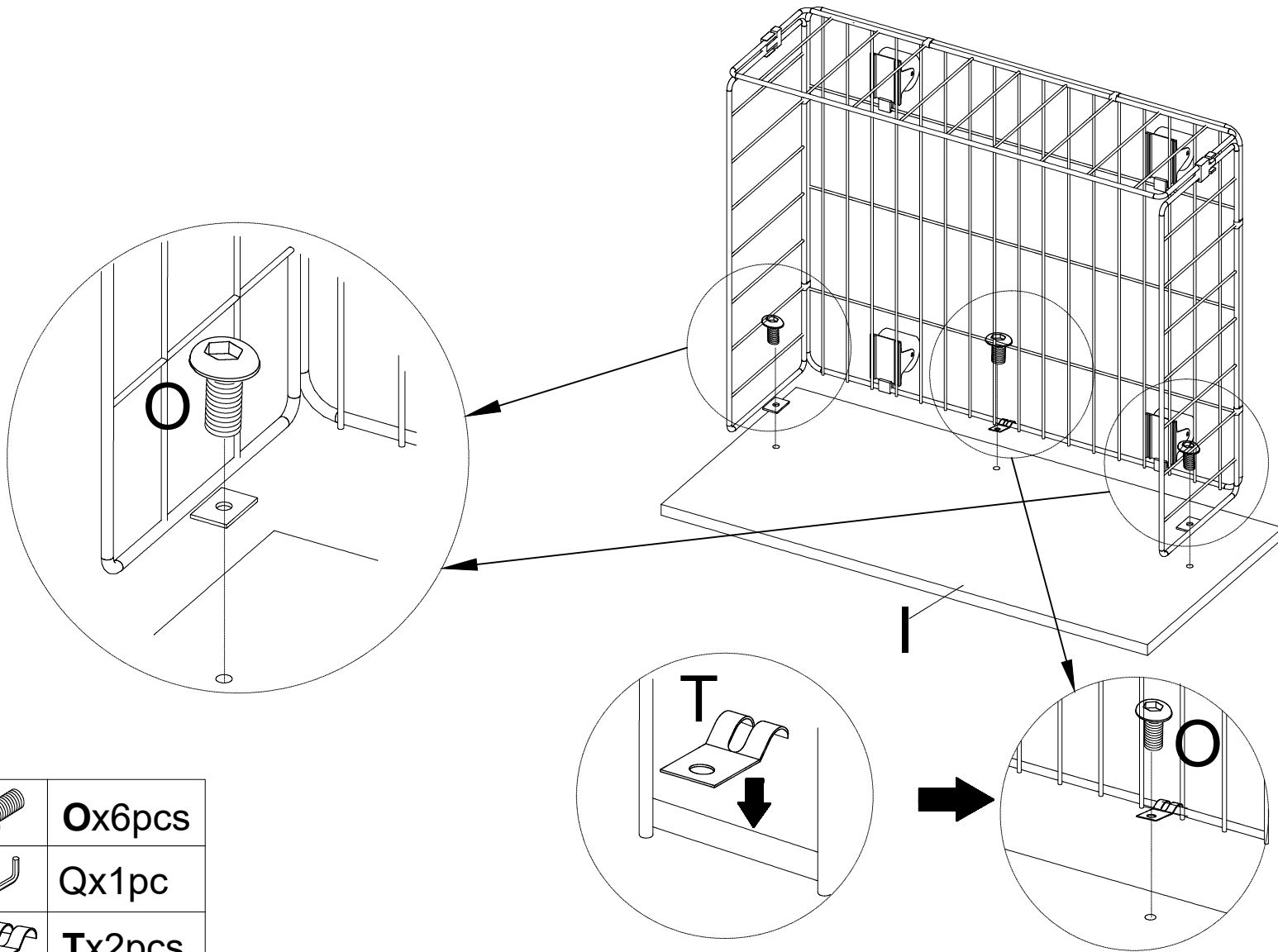



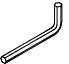

Sx8pcs

Assembly Steps (EN)/ Montageschritte(DE)

STEP 7

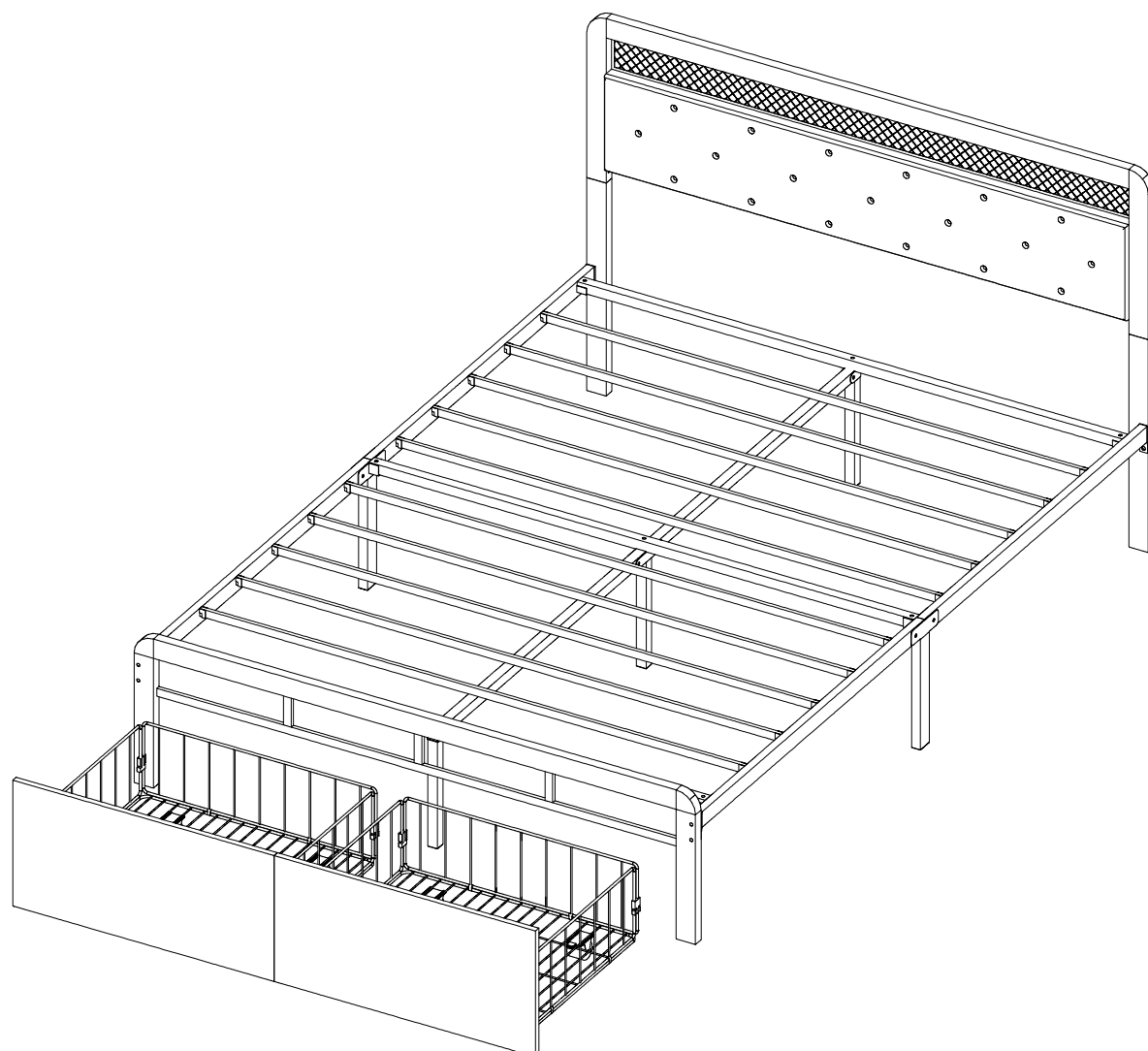
Fix the drawer into the drawer front



	Ox6pcs
	Qx1pc
	Tx2pcs

STEP 8

Put the drawers under the bed



STEP 9

Finished assembly

