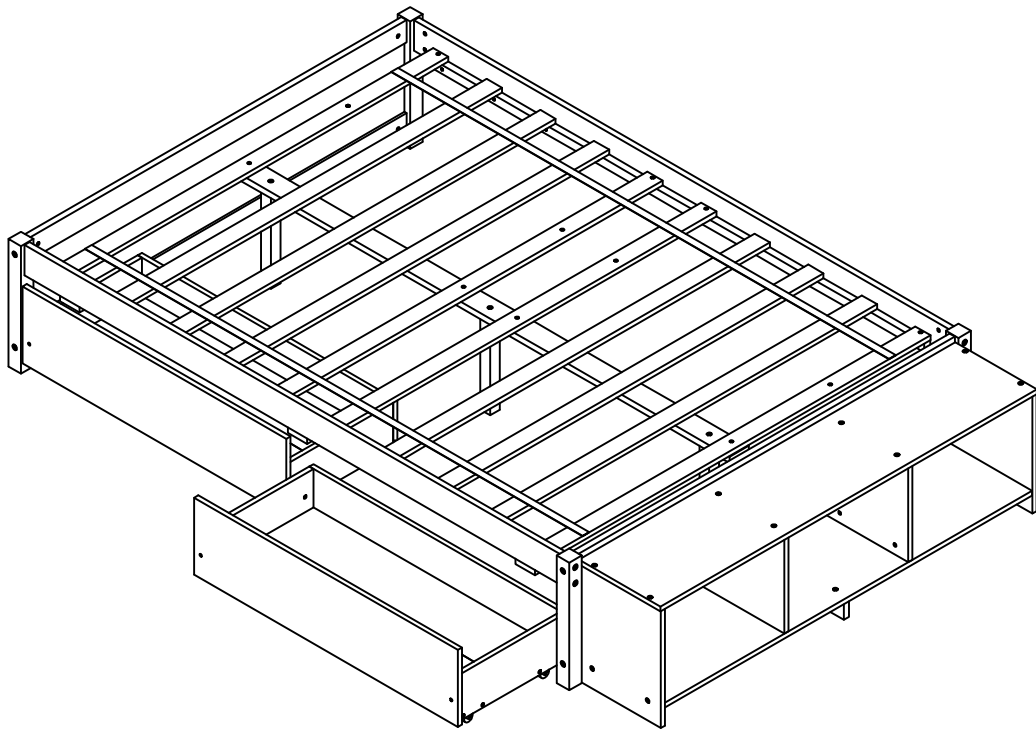


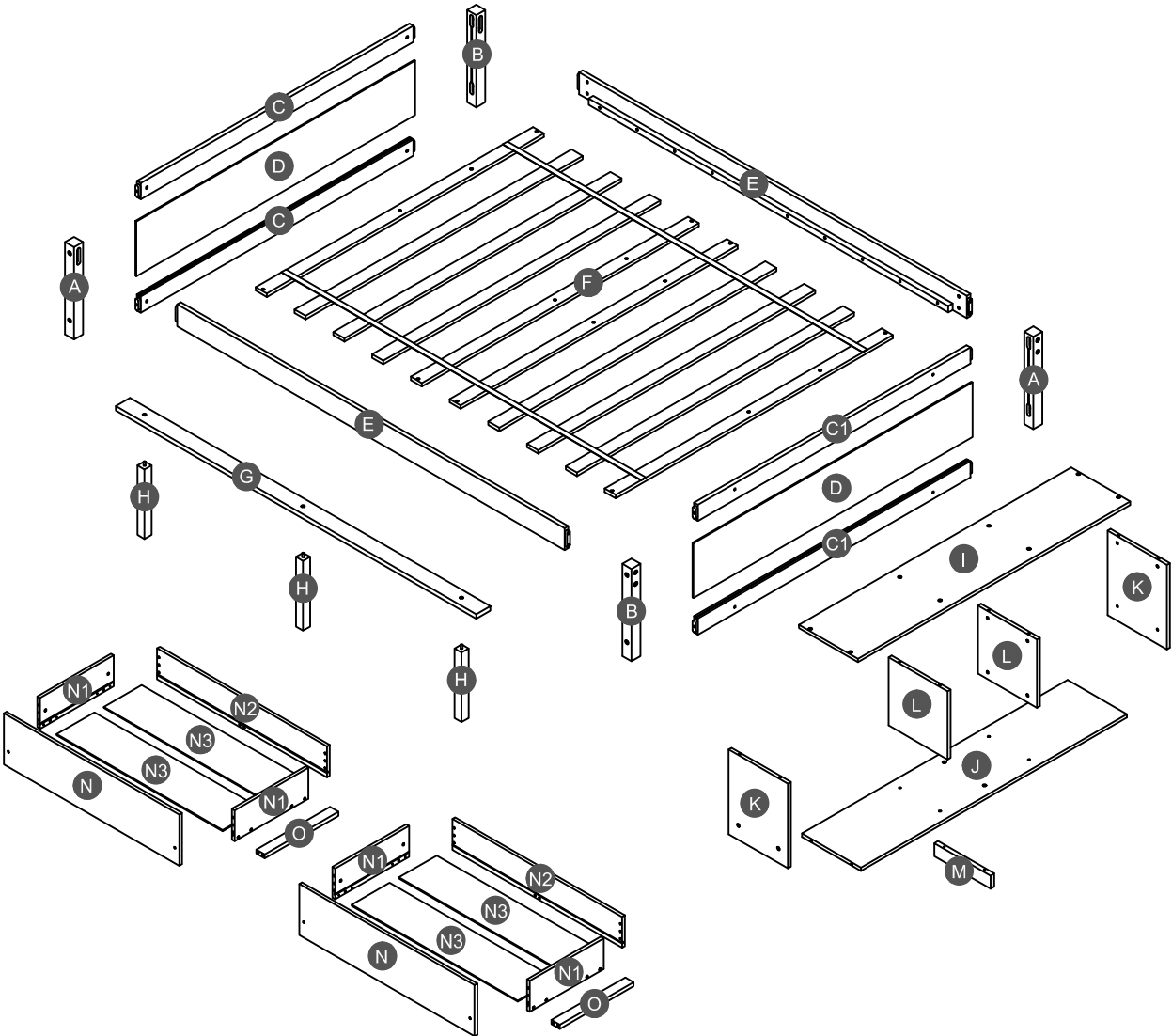
# ASSEMBLY INSTRUCTIONS

## FULL BED WITH 2 DRAWERS



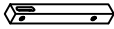
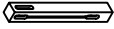
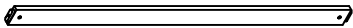
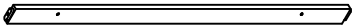
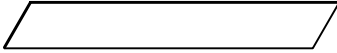
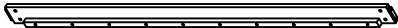
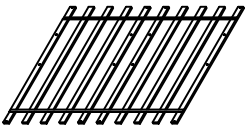

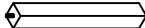


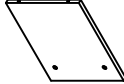
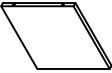
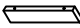
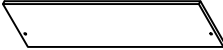
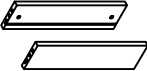

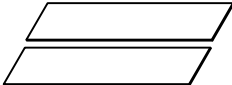
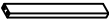
**ILA33777**

# Detail View



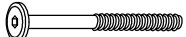
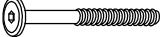


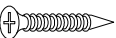

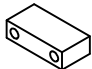
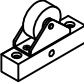



# Part List

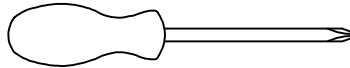
## Hardware List

<p><b>A</b></p>  <p>Leg (Left Front/Right Back) - 2pcs</p>	<p><b>B</b></p>  <p>Leg (Left Back/Right Front) - 2pcs</p>	<p><b>C</b></p>  <p>Horizontal bar HB - 2pcs</p>
<p><b>C1</b></p>  <p>Horizontal bar FB - 2pcs</p>	<p><b>D</b></p>  <p>Side panel FB/HB - 2pcs</p>	<p><b>E</b></p>  <p>Side rail - 2pcs</p>
<p><b>F</b></p>  <p>Slat - 1set = 10 pcs</p>	<p><b>G</b></p>  <p>Lower support slat - 1pc</p>	<p><b>H</b></p>  <p>Leg support- 3pcs</p>
<p><b>I</b></p>  <p>Top panel - 1pc</p>	<p><b>J</b></p>  <p>Bottom panel - 1pc</p>	<p><b>K</b></p>  <p>Side panel - 2pcs</p>
<p><b>L</b></p>  <p>Divider panel - 2pcs</p>	<p><b>M</b></p>  <p>Bottom support - 1pc</p>	<p><b>N</b></p>  <p>Front drawer panel - 2pcs</p>
<p><b>N1</b></p>  <p>Left / right drawer panel - 4pcs</p>	<p><b>N2</b></p>  <p>Back drawer panel - 2pcs</p>	<p><b>N3</b></p>  <p>Drawer bottom - 4pcs</p>
<p><b>O</b></p>  <p>Support drawer - 2pcs</p>		

# Hardware List

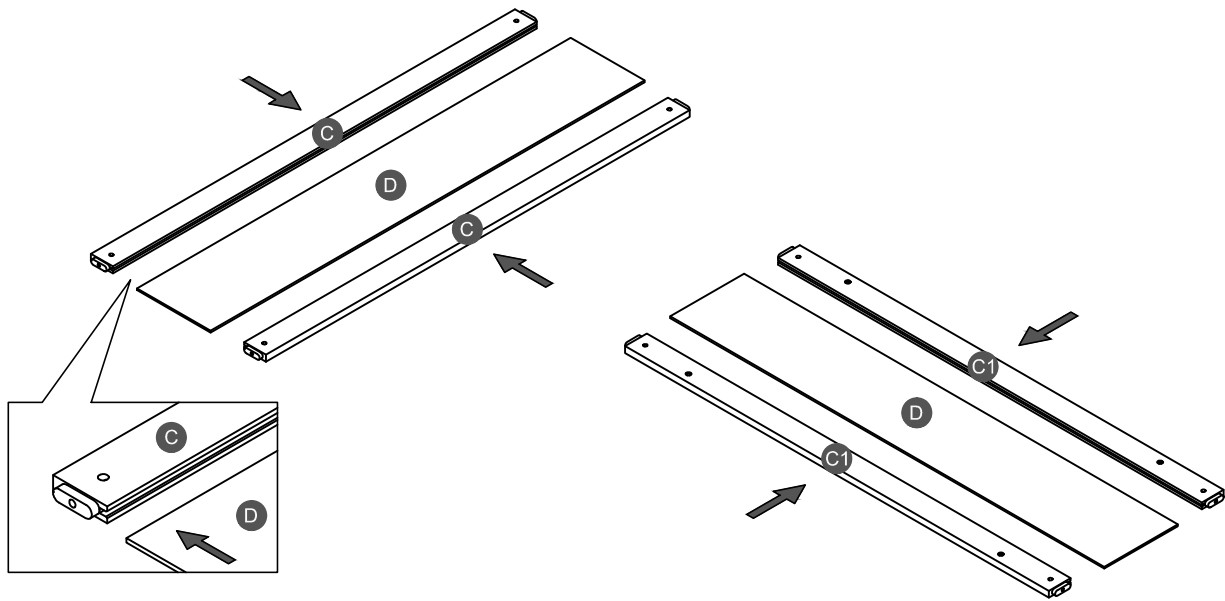
<b>1</b>  Ø8*30mm Wood dowel (24pcs)	<b>2</b>  (Ø15)1/4"*100mm Hex-Head bolts (8pcs)	<b>3</b>  (Ø15)1/4"*80mm Hex-Head bolts (8pcs)
<b>4</b>  (Ø12)1/4"*60mm Hex-Head bolts (28pcs)	<b>5</b>  1/4"*15 (9.5mm) Horizontal-Hole bolts (44pcs)	<b>6</b>  (Ø12)1/4"*40mm Hex-Head bolts (2pcs)
<b>7</b>  Ø4*30mm Wood screws (34pcs)	<b>8</b>  (1/4")4.5*58mm Allen key (1pc)	<b>9</b>  70*35*19 mm Drawer stopper (3pcs)
<b>10</b>  100*20*54mm Wheels (8pcs)	<b>11</b>  Ø10*20mm Wood dowel (8pcs)	

## ASSEMBLY TOOLS REQUIRED ( NOT INCLUDED )

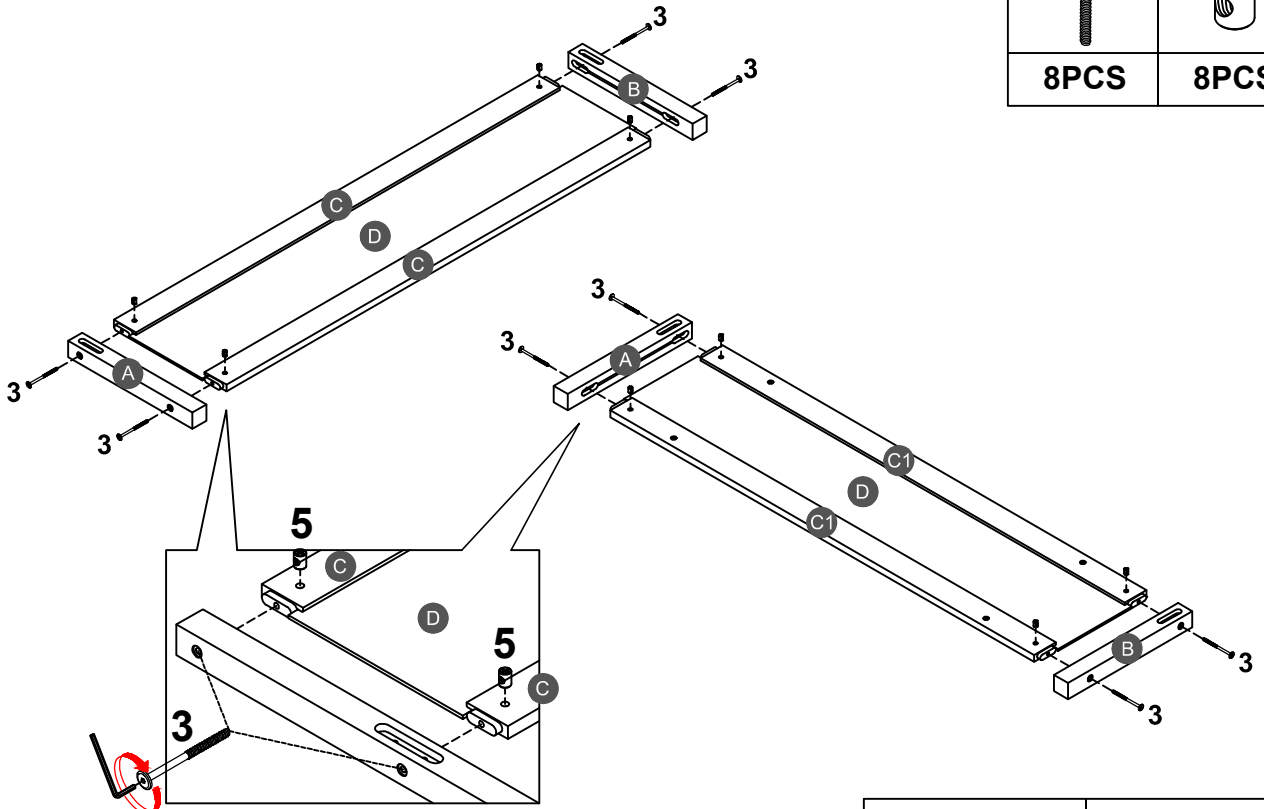




PLEASE BE CAREFUL DO NOT DAMAGE THE HOLE POSITION WHEN YOU USE POWER TOOLS !

**STEP 1:**

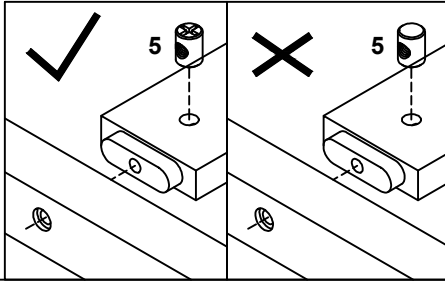


**STEP 2:**


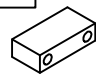


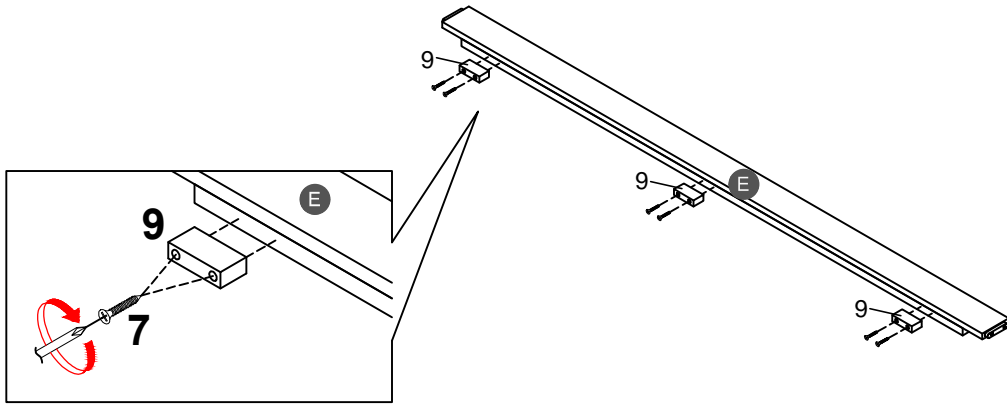
<b>3</b>		<b>5</b>	
<b>8PCS</b>		<b>8PCS</b>	

Note: Part 5 will face up with the "x" mark on it, otherwise it cannot be tightened





### STEP 3:

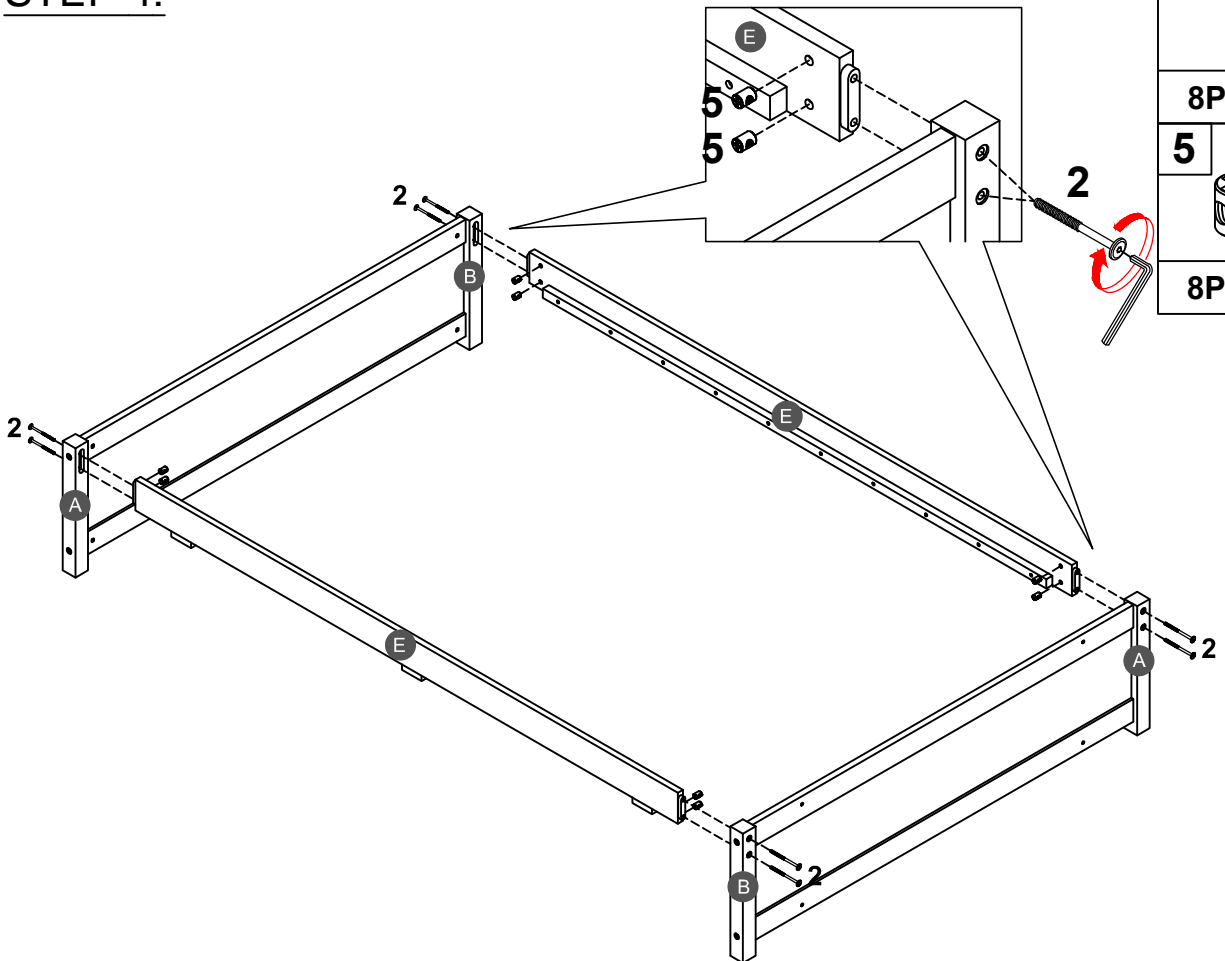
<b>7</b>		<b>9</b>	
<b>6PCS</b>		<b>3PCS</b>	



Drawer stopper (9) with lower side rail front (E) by using screw (7).

### STEP 4:

<b>2</b>	
<b>8PCS</b>	
<b>5</b>	
<b>8PCS</b>	

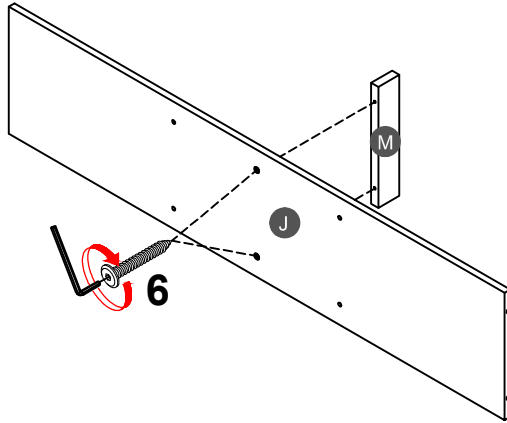


STEP 5:

6



2PCS



STEP 6:

4

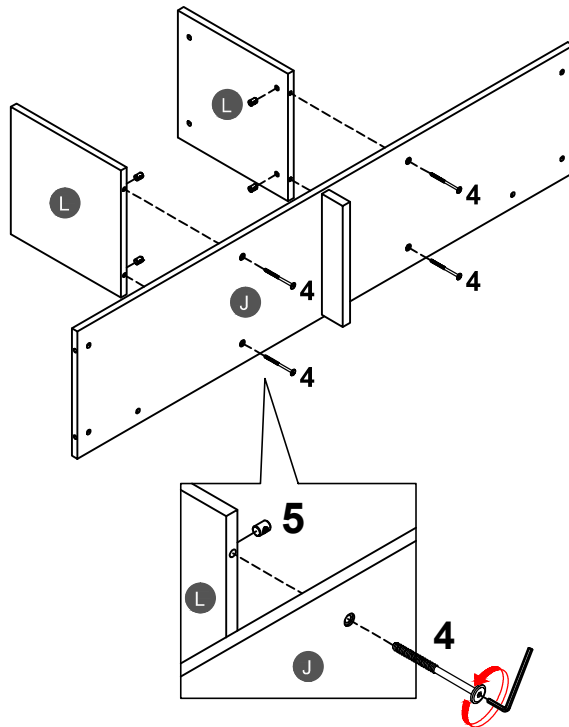


4PCS

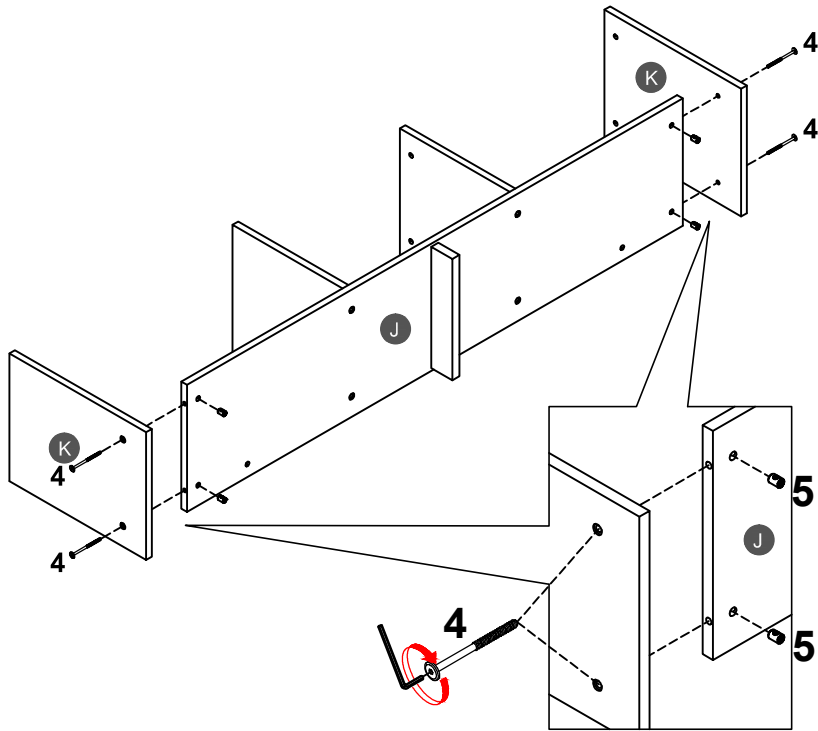
5



4PCS



**STEP 7:**



4



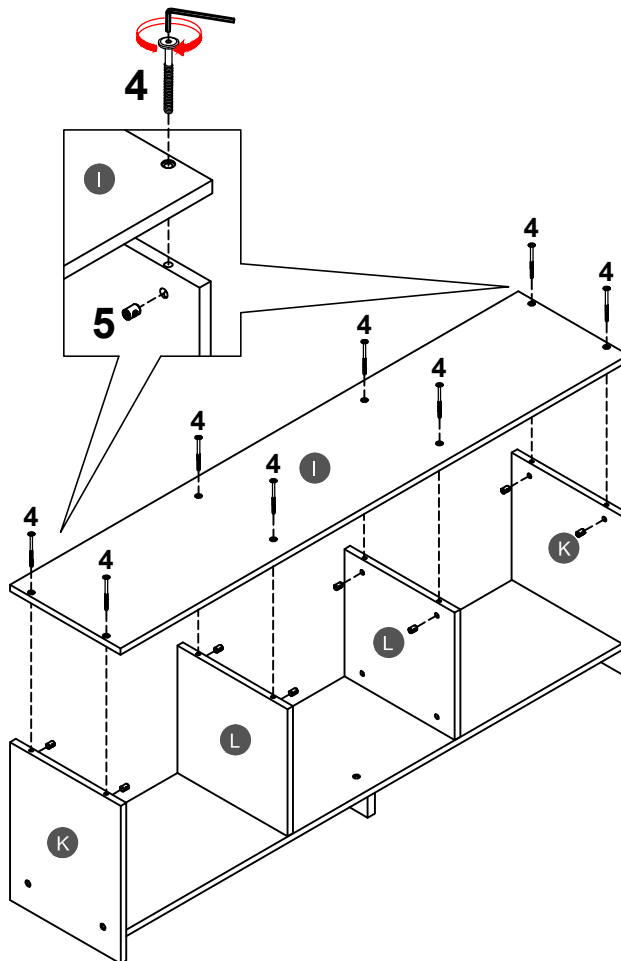
4PCS

5



4PCS

**STEP 8:**



4





8PCS

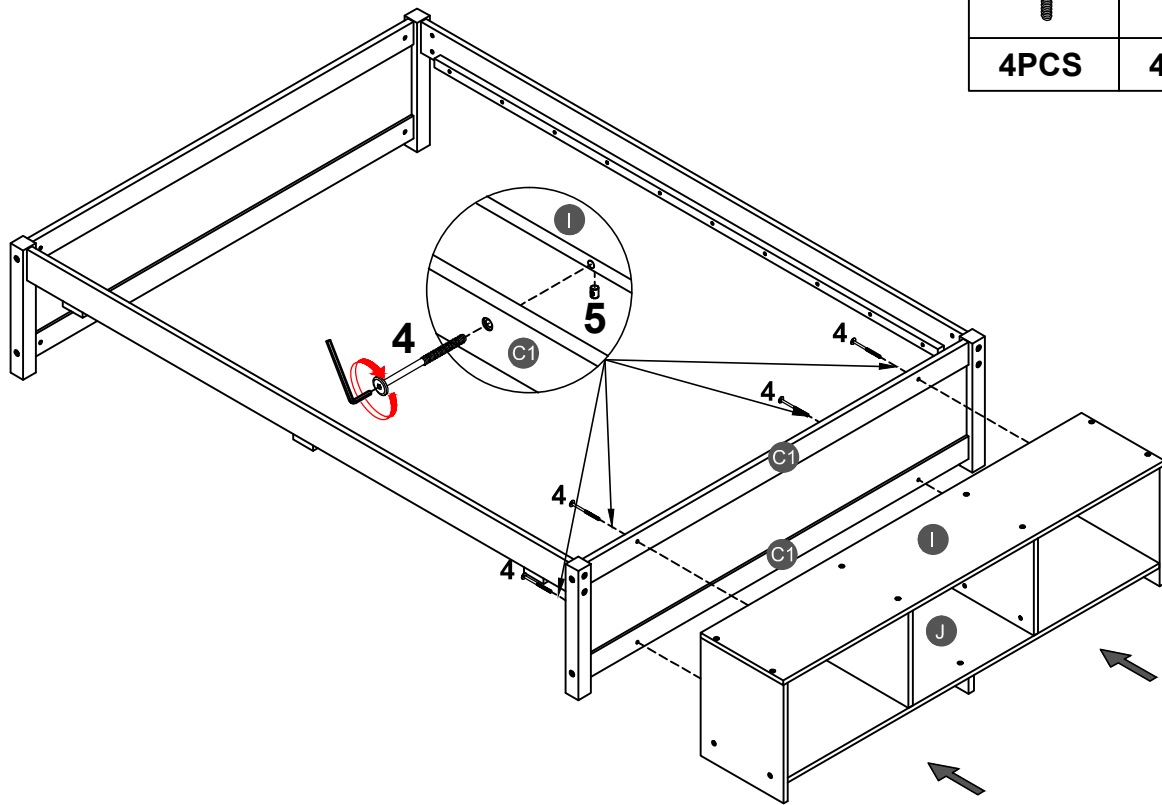
5



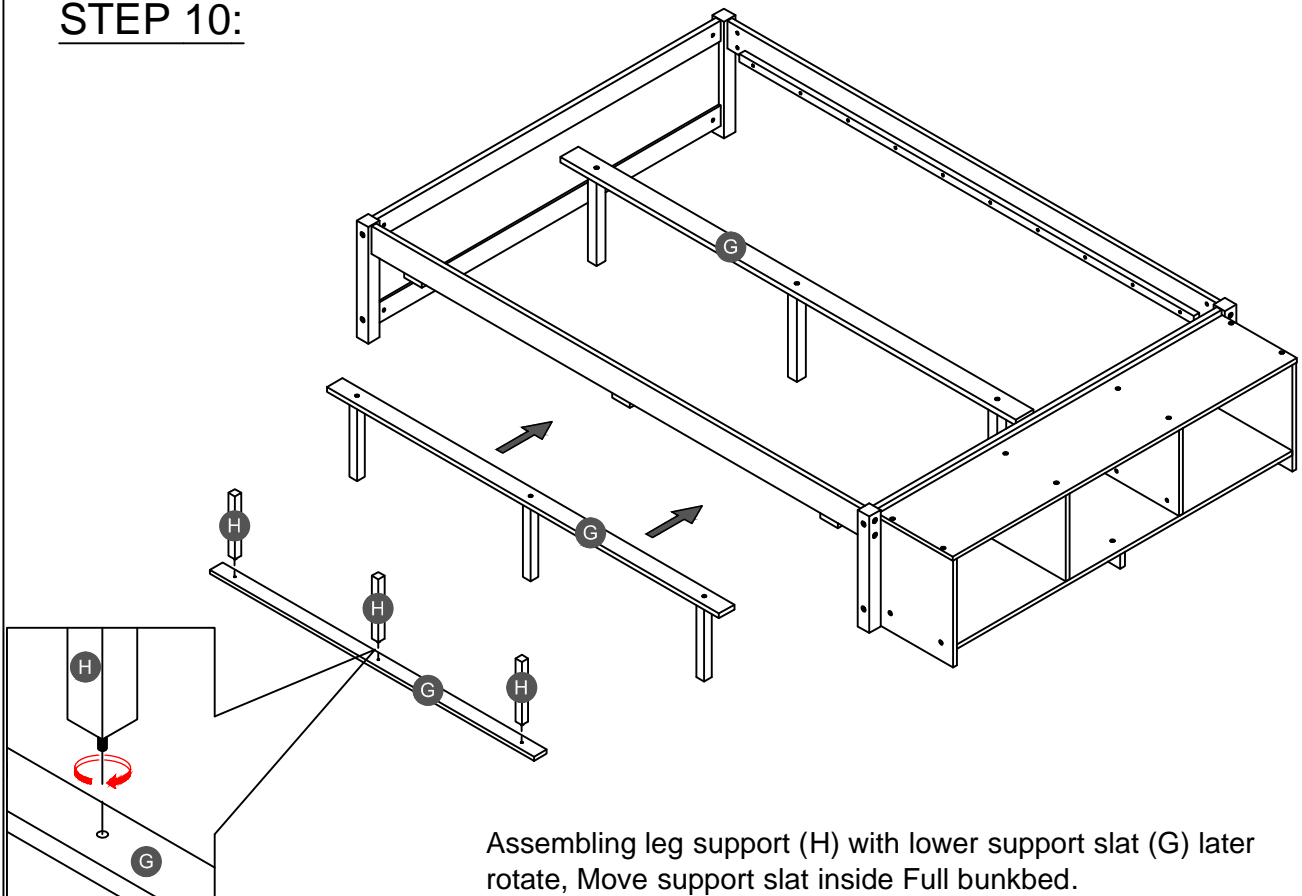
8PCS

**STEP 9:**

<b>4</b>		<b>5</b>	
<b>4PCS</b>		<b>4PCS</b>	

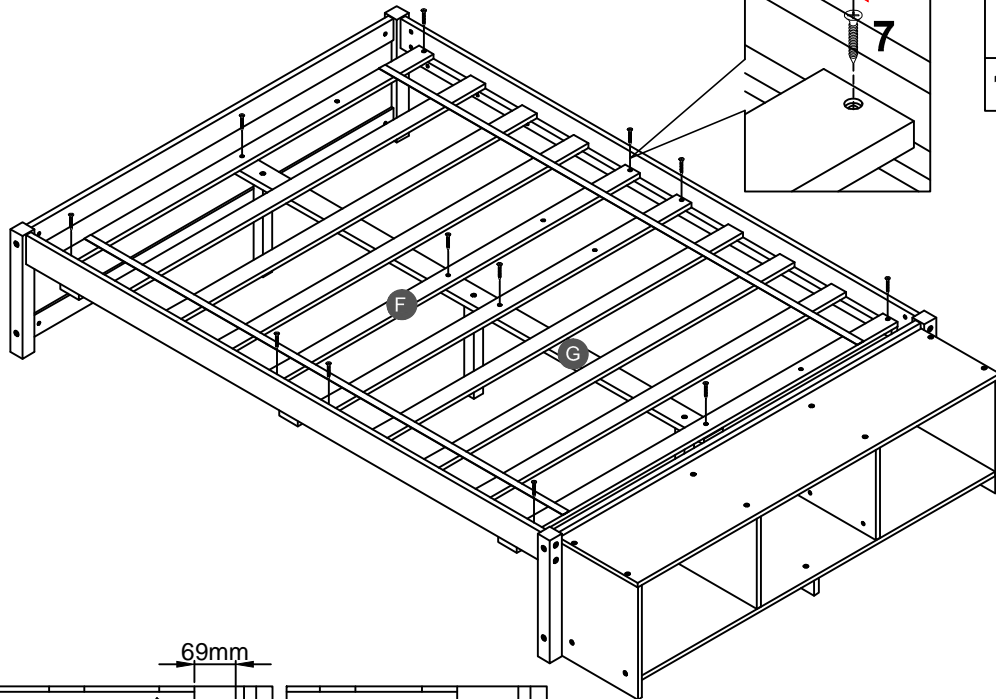


**STEP 10:**



Assembling leg support (H) with lower support slat (G) later rotate, Move support slat inside Full bunkbed.

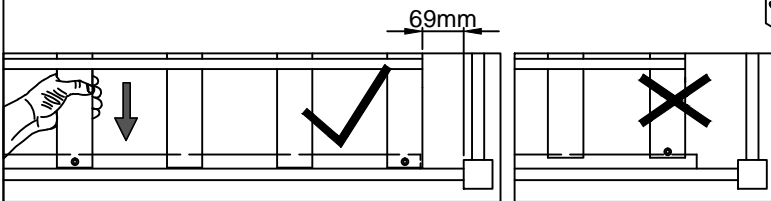
## STEP 11:



7

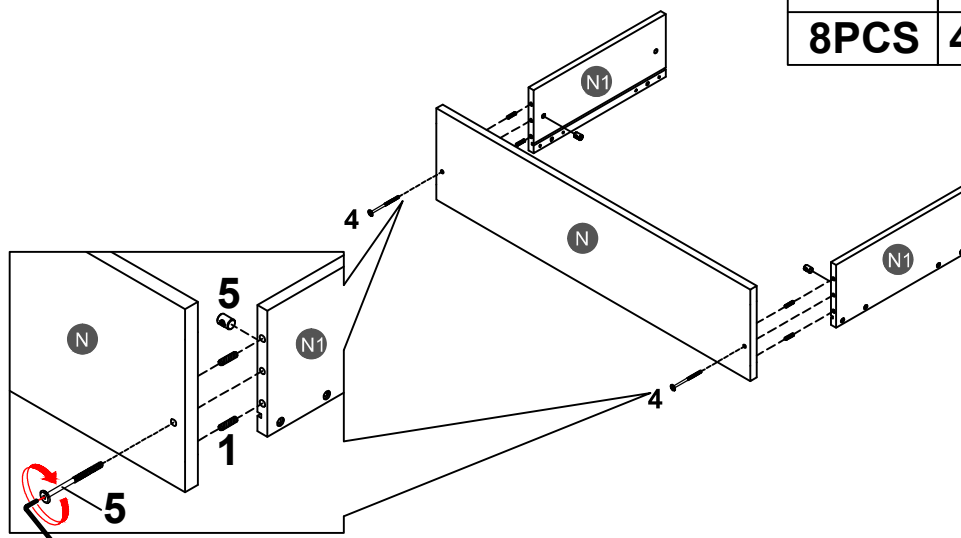


12PCS



Note: Do not lock the screws of the bed slats to the outermost edge of the bed slats, you need to leave a certain space at the edges, otherwise it will cause the board to break. Do not lock the bed slats on the edge of the wood, please hold firmly before screwing, hold it in place with one hand, then lock the screw.

## STEP 12:



1



8PCS

4



4PCS




5

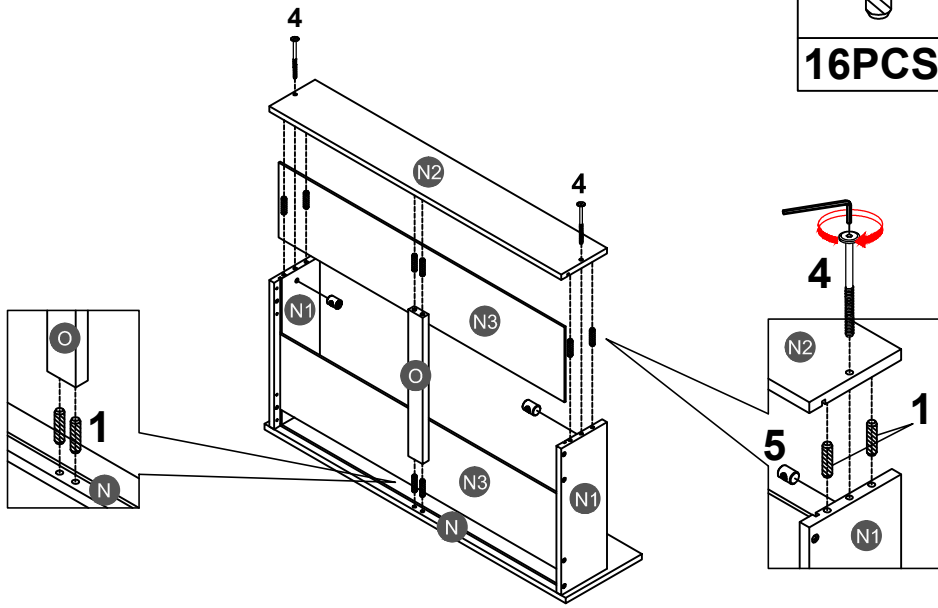


4PCS

2pcs


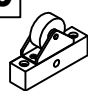

**STEP 13:**

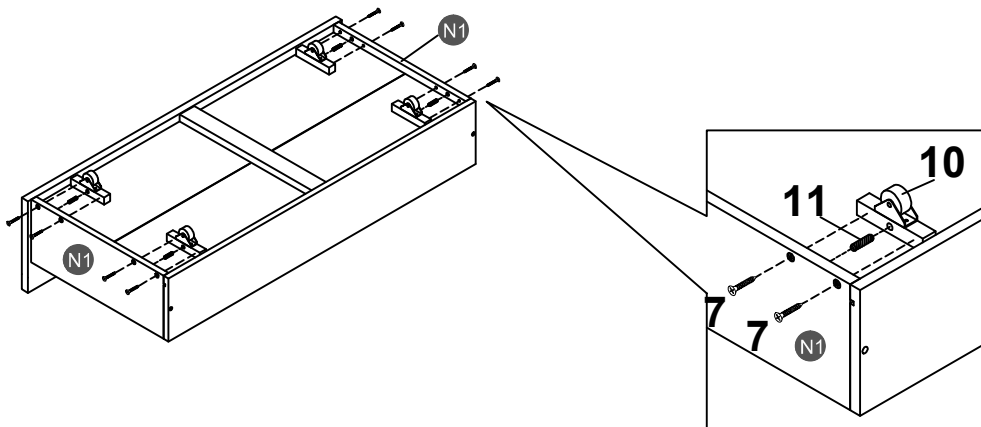
<b>1</b> 	<b>4</b> 	<b>5</b> 
<b>16PCS</b>	<b>4PCS</b>	<b>4PCS</b>



**2pcs**

**STEP 14:**

<b>7</b> 	<b>10</b> 	<b>11</b> 
<b>16PCS</b>	<b>8PCS</b>	<b>8PCS</b>



**2pcs**

**STEP 15:**

