




# VELOCE LED BAFFLE RECESS DOWNLIGHT

LEDS-BR4P

INSTRUCTIONS PERTAINING TO RISK OF FIRE OR INJURY TO PERSONS READ ALL INSTRUCTIONS

## IMPORTANT SAFETY INSTRUCTIONS

SAVE THESE INSTRUCTIONS

### TOOLS AND MATERIALS REQUIRED:



Phillips Screwdriver



Wire Cutters



Pliers



Drill

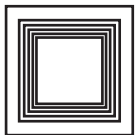
Wiring supplies as required by your local Provincial or State Electrical code

### SAFETY PRECAUTIONS:

1. TURN OFF ELECTRICAL POWER BEFORE STARTING INSTALLATION OF LIGHT FIXTURE.
2. THIS PRODUCT MUST BE INSTALLED IN ACCORDANCE WITH THE APPLICABLE INSTALLATIONS CODE BY A PERSON FAMILIAR WITH THE CONSTRUCTION AND OPERATION OF THE PRODUCT AND THE HAZARDS INVOLVED.
3. CAUTION – RISK OF ELECTRIC SHOCK. CONSULT A QUALIFIED ELECTRICIAN TO ENSURE CORRECT BRANCH CIRCUIT CONDUCTOR.

### PACKAGE CONTENTS

PART	DESCRIPTION	QTY
A	LED Fixture	1
B	Wire nuts	3

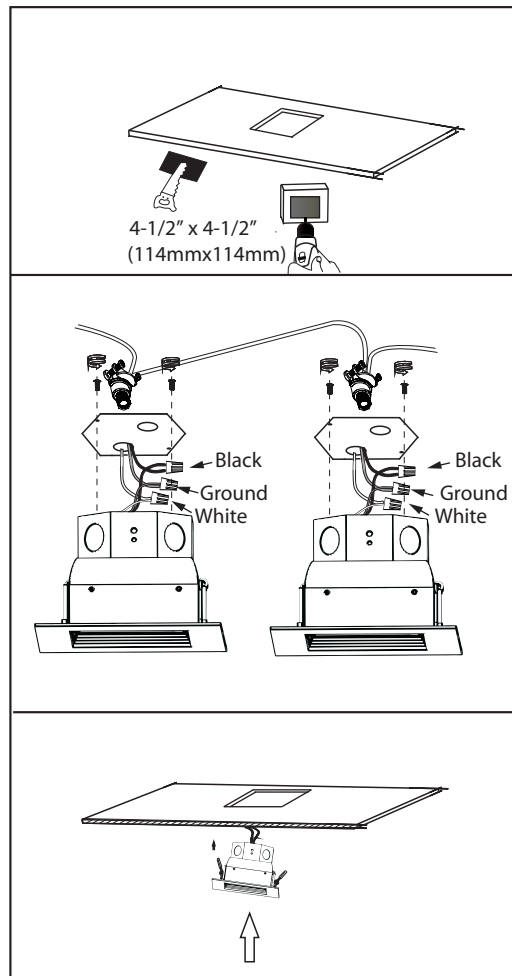


A



B

This LED light is compatible to be dimmed by LEVITON# 6633, LEVITON# 6672, LEVITON# 6674. Dimming levels will vary by dimmer.



1. Drill hole in ceiling. (thickness of the sheetrock  $\geq$  1/2").

2. Knock blind knockout open in your required position and install the Romex connector if required (1/2" (not included)). Open the top cover of the J-box by unscrewing the screws. Connect supply wires to wires on fixture with wire nuts. Connect white to white, black to black, green or bare copper wire to bare copper wire. Attach the J-box top cover and secure with self-taping screws. If wiring to another light, also connect white to white, black to black, green or bare copper wire to bare copper wire.

3. Bring the light up to the hole, hold in the spring clips and push the light into the ceiling. It is easier to do one spring at a time.