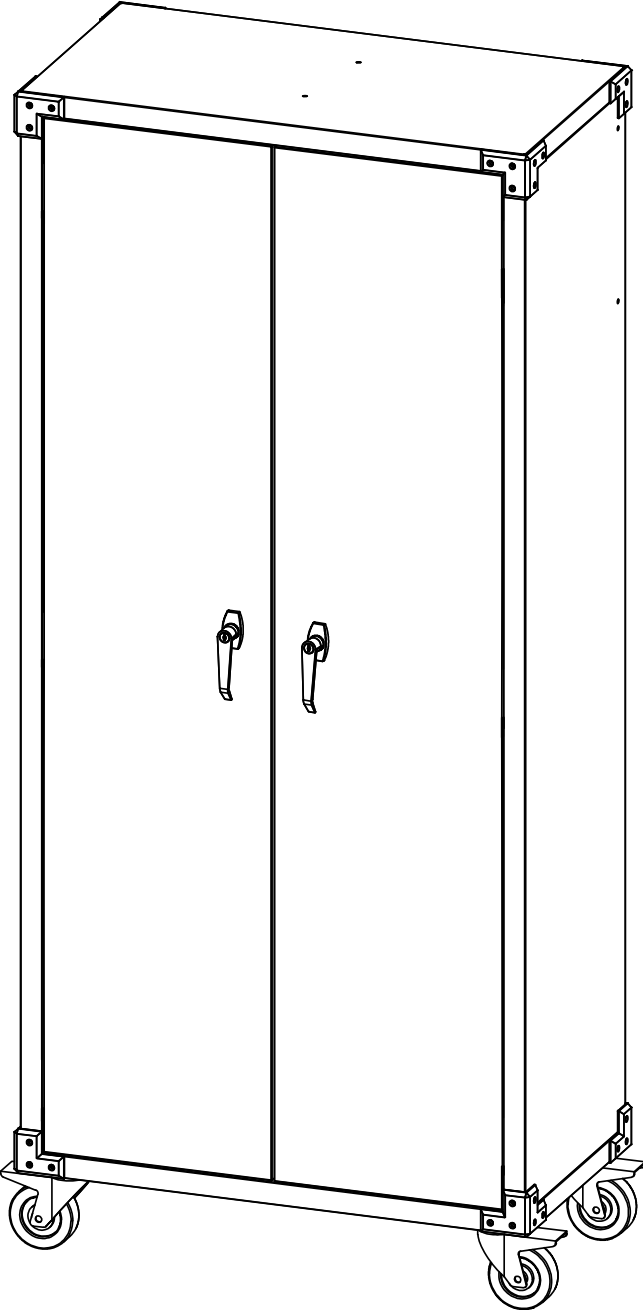
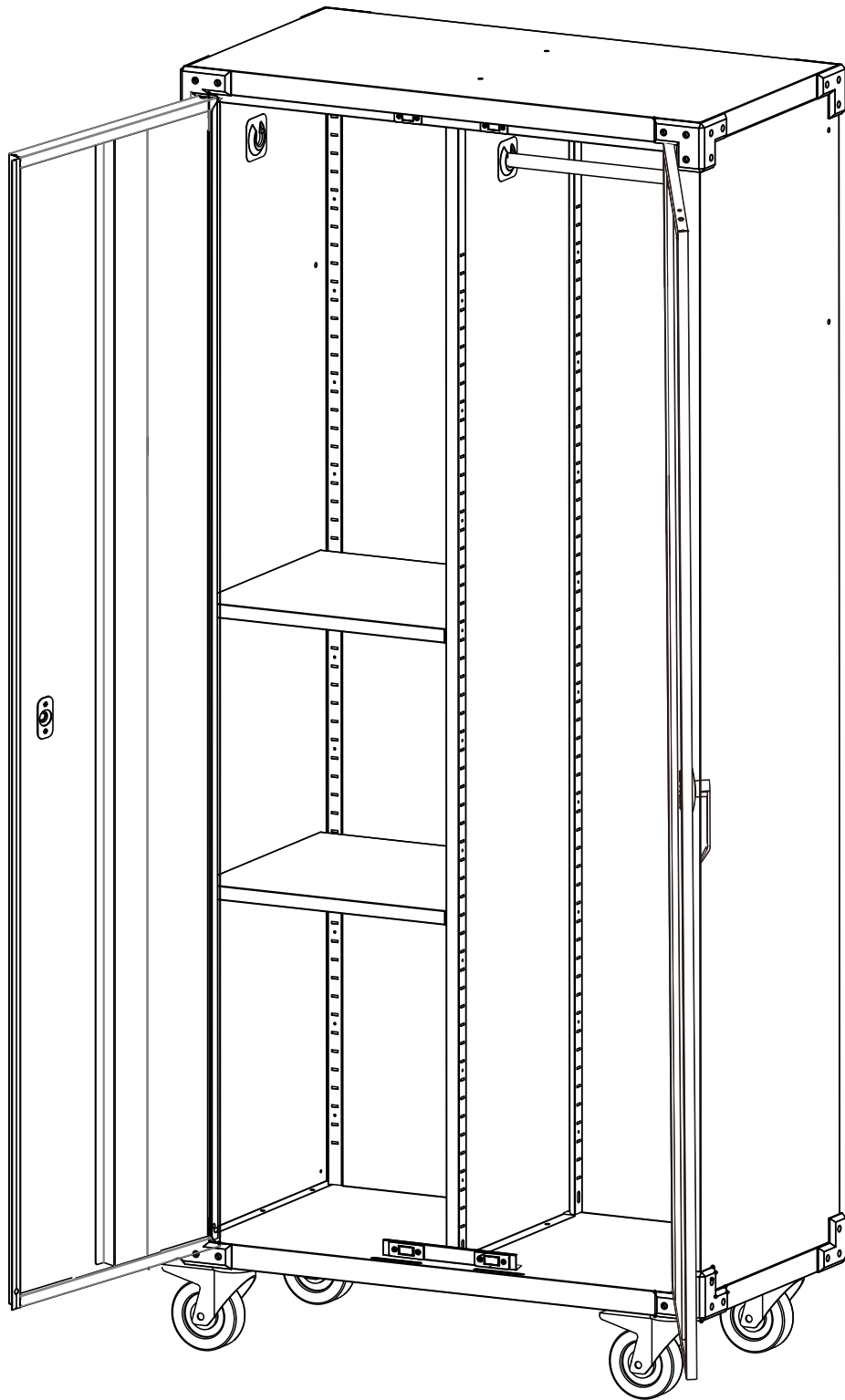
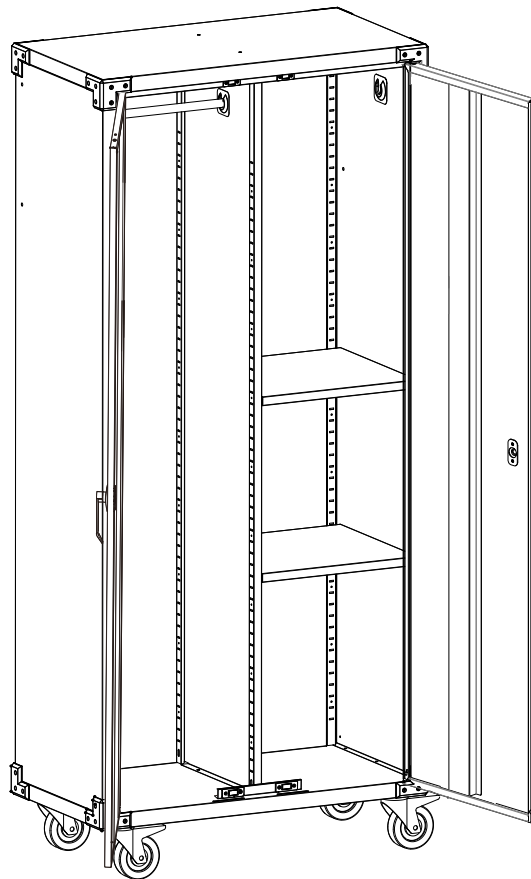
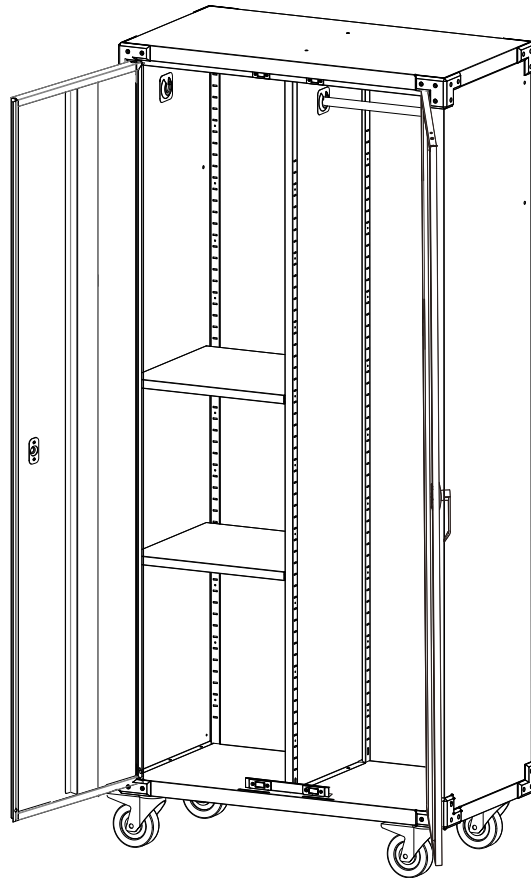
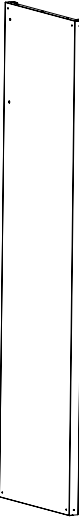
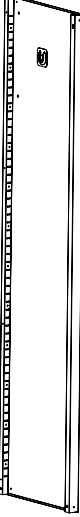
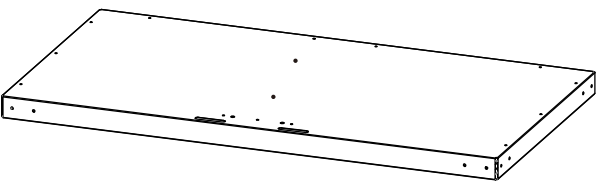
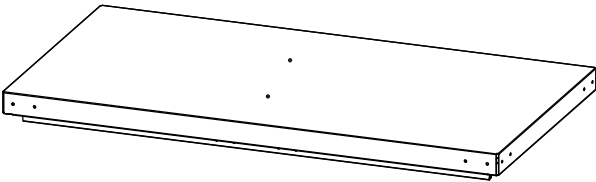
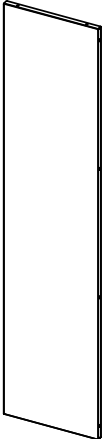
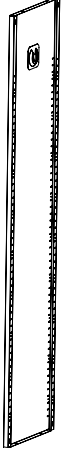
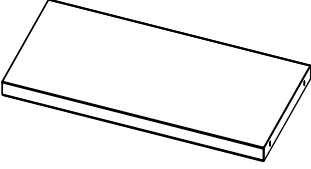


# Installation & Assembly



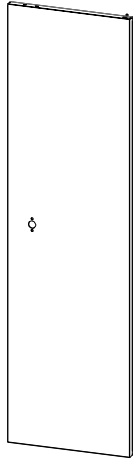




A Left side panel		1PC		B Right side panel		1PC		
								
C Bottom panel		1PC		D Top panel		1PC		
								
E	Back panel	2PCS	F	Vertical panel	1PC	G	Shelf	2PCS
								

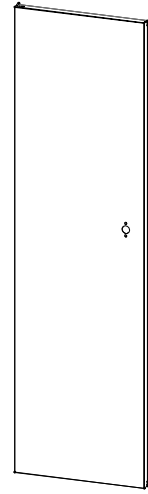
H Right door

1PC



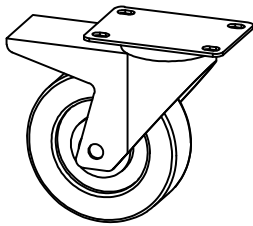
I Left door

1PC



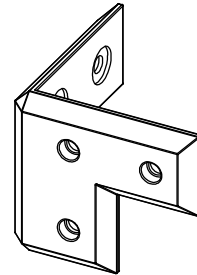
K Wheel

4PCS



L Corner protector

8PCS



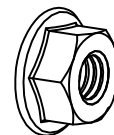
M Door magnet

1PC



N Nut

8PCS



O Anti-tipping strap

2PCS



P Shelf clasp

8PCS



Q Lock

2PCS

Q<sub>1</sub>



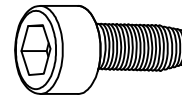
Q<sub>2</sub>



R

50PCS

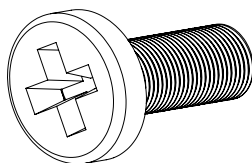
M5\*15



S

24PCS

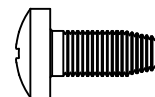
M6\*16



T

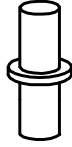
31PCS

M4\*10



U Door pivot

2PCS



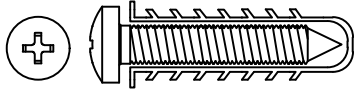
W Shim

2PCS



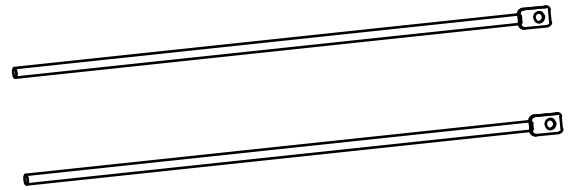
V Expansion screw

2PCS



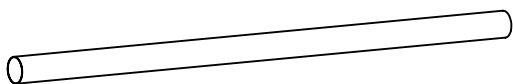
X Lock rod

2PCS



X1 Rod

1PC

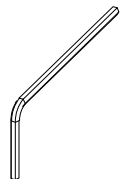
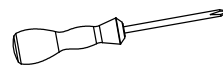


Z

1PC

Y

1PC



# Step:1



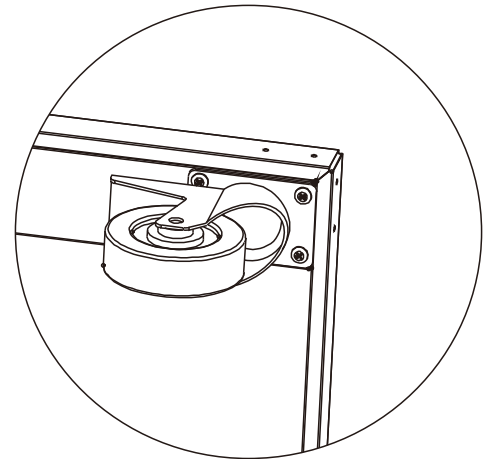
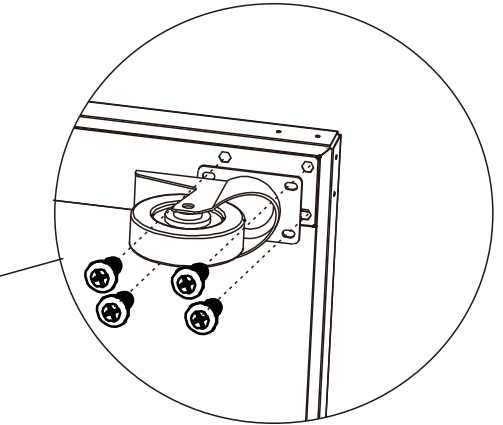
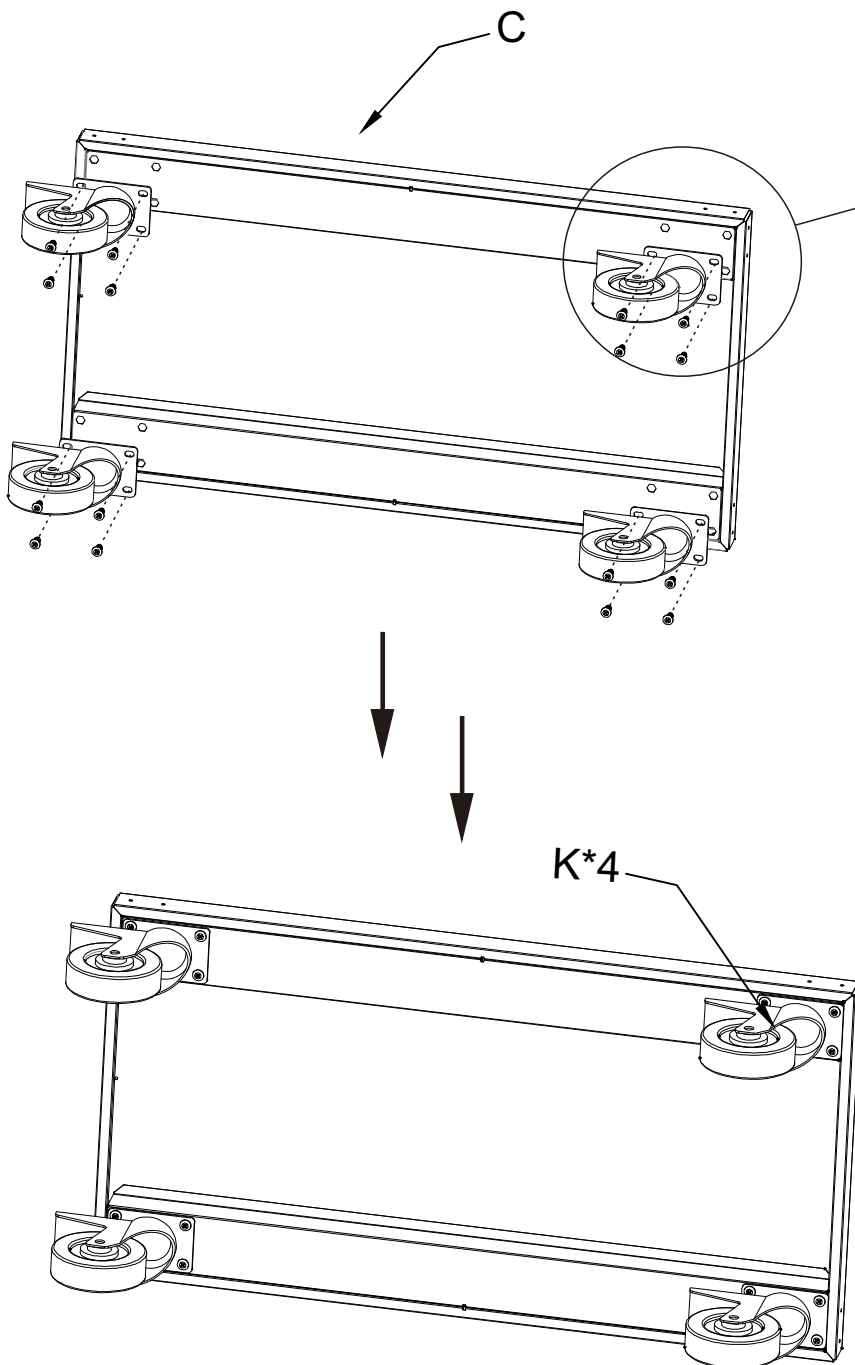
C×1



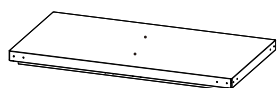
K×4



S×16



## Step:2



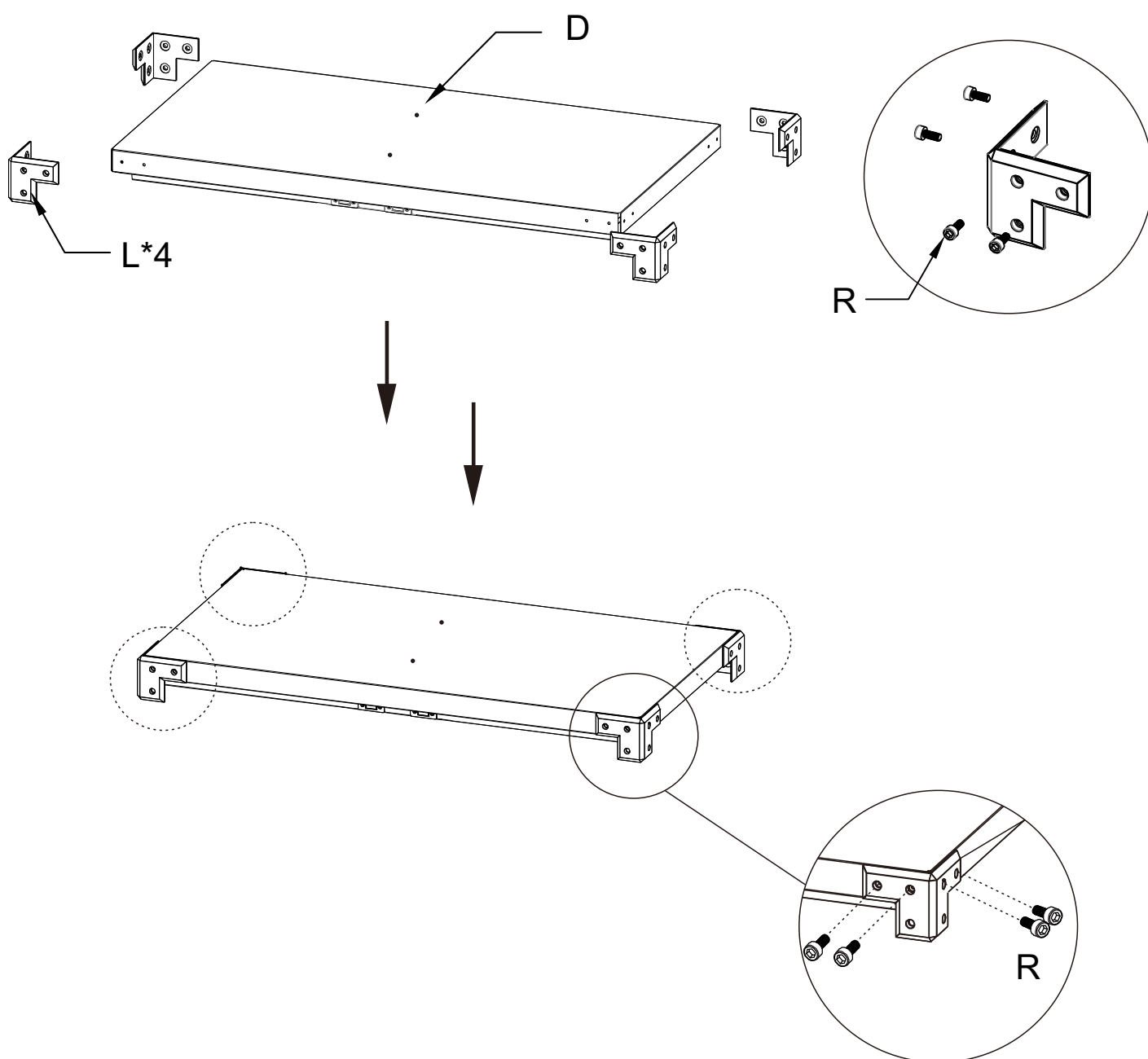
D×1



L×4



R×16



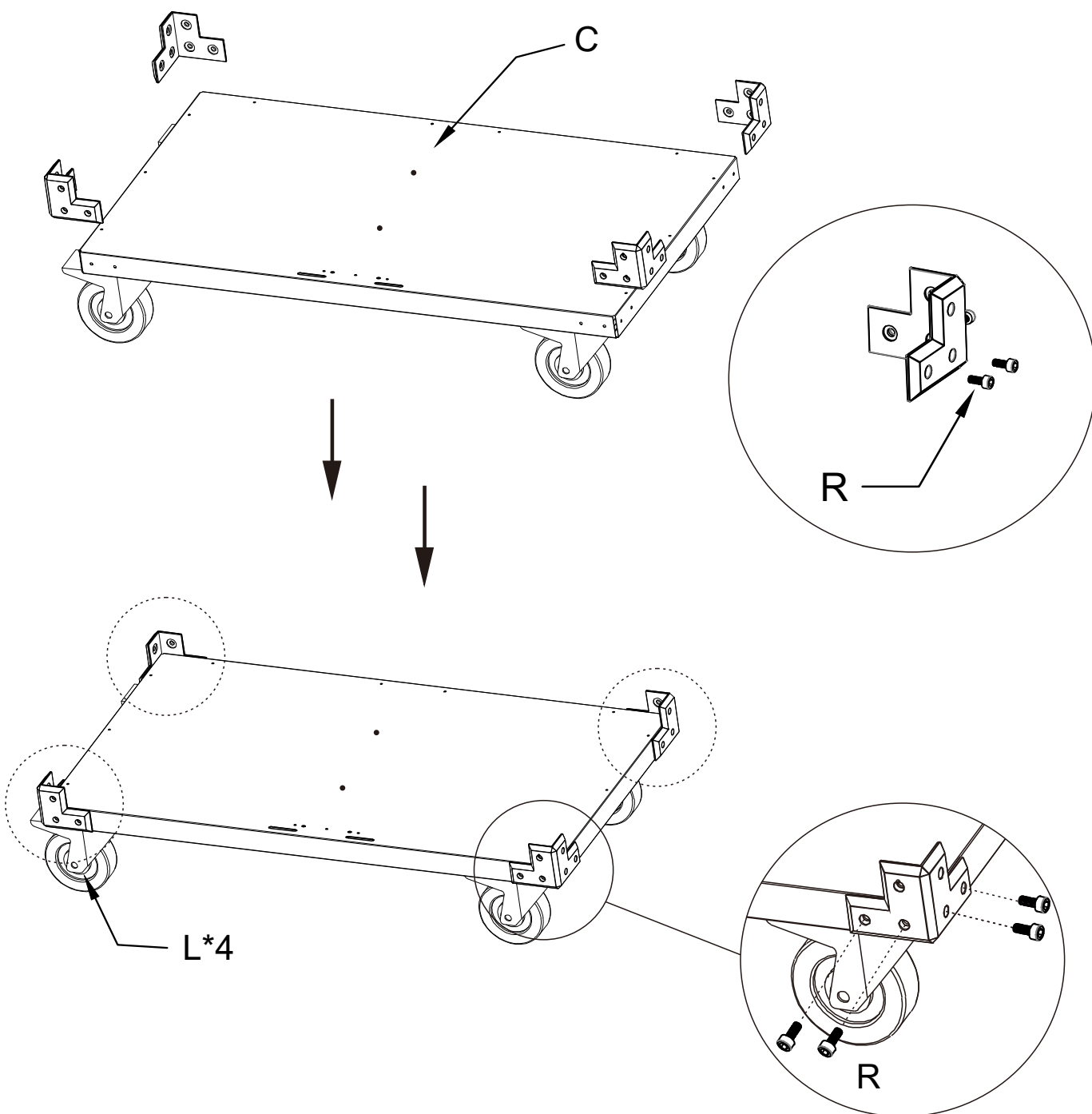
# Step:3



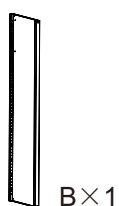
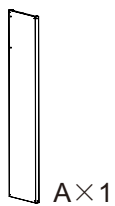
L×4



R×16



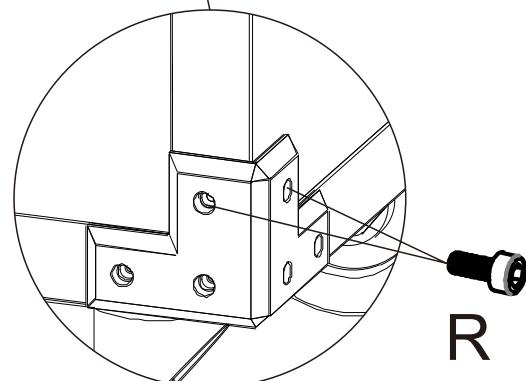
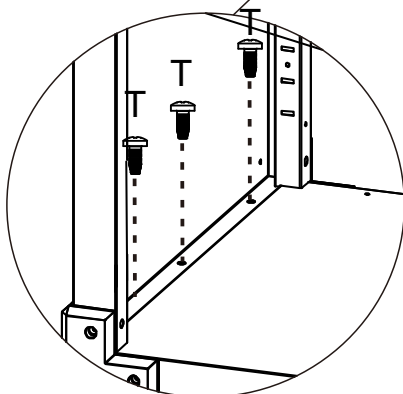
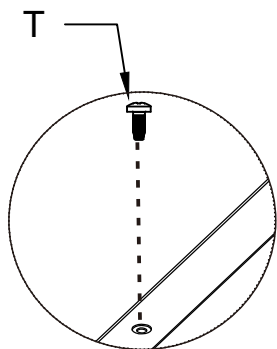
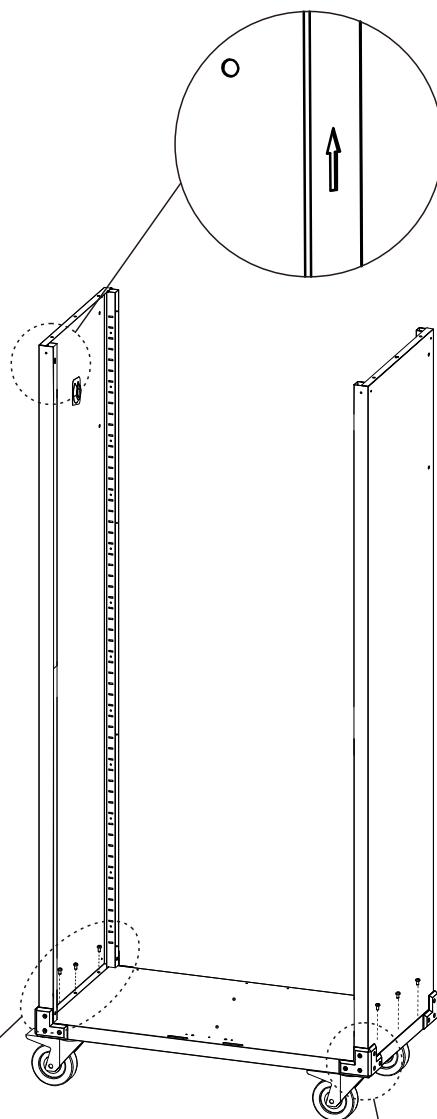
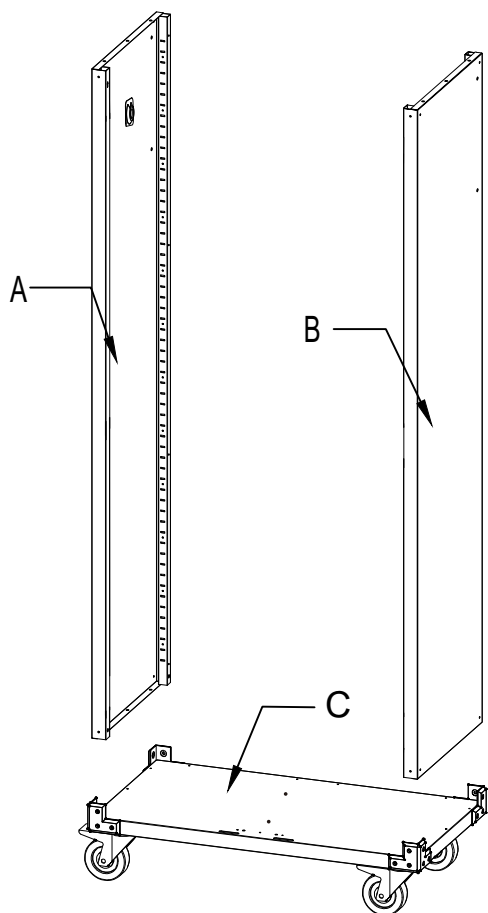
# Step:4



R×8



T×6



R

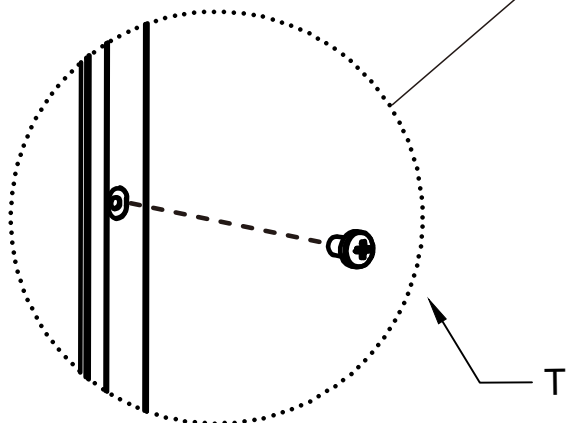
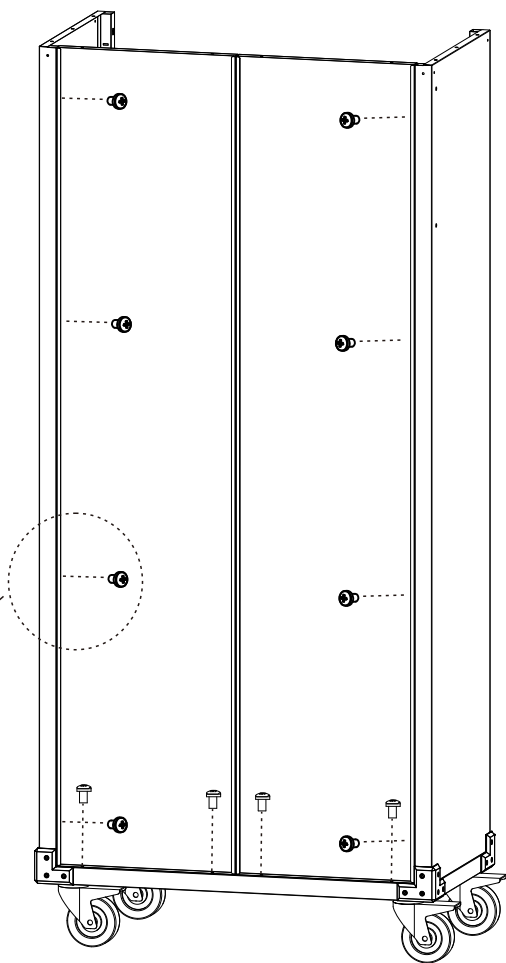
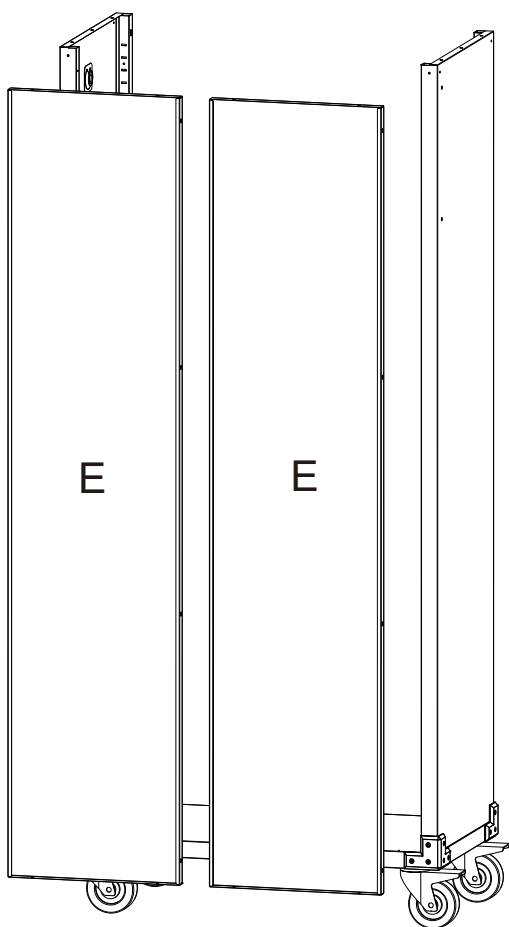
# Step:5



E×2



T×12



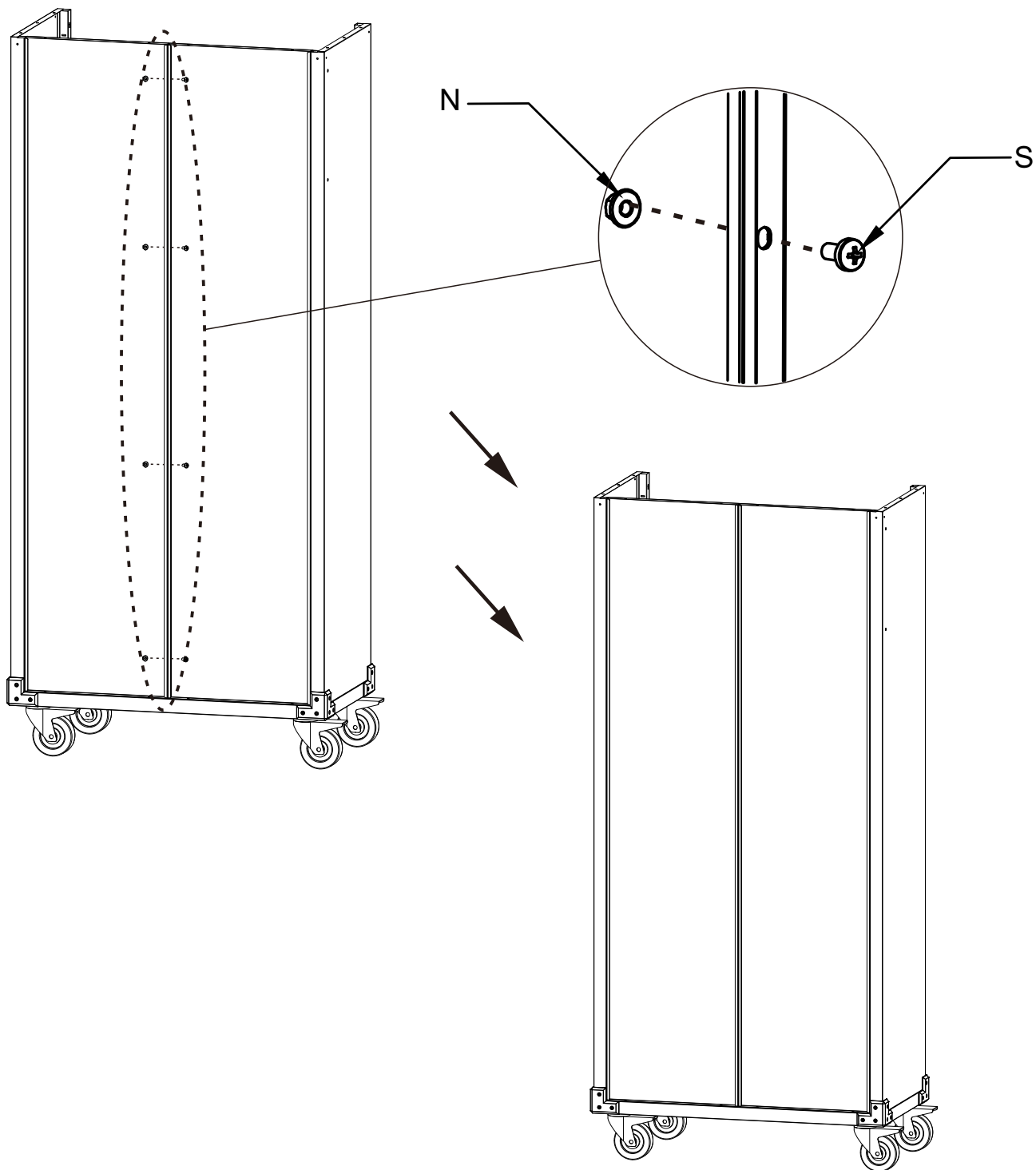
## Step:6



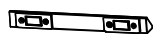
S×4



N×4



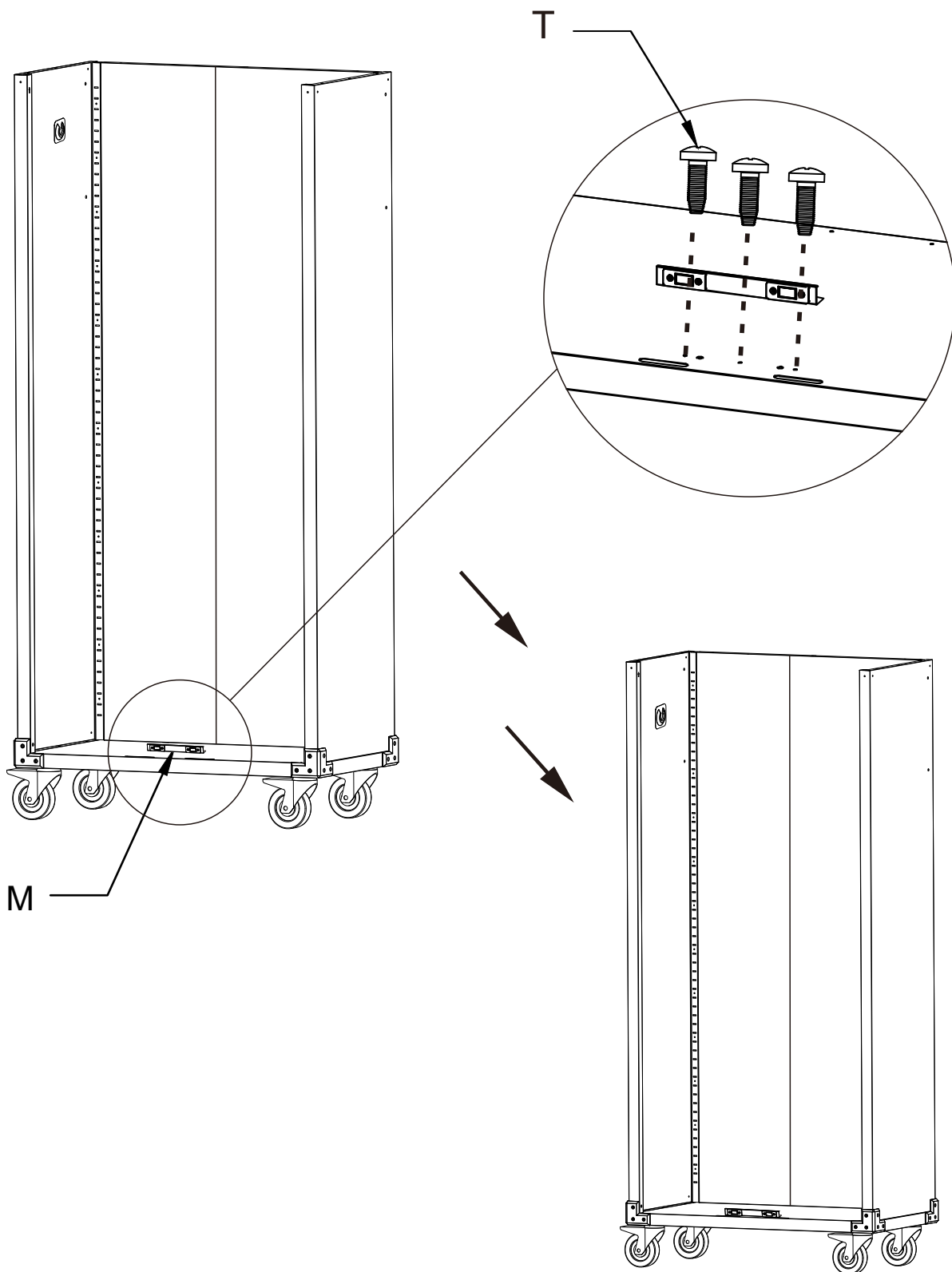
# Step:7



M×1



T×3



# Step:8



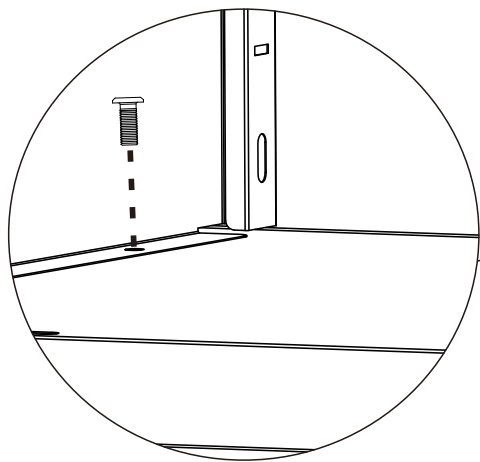
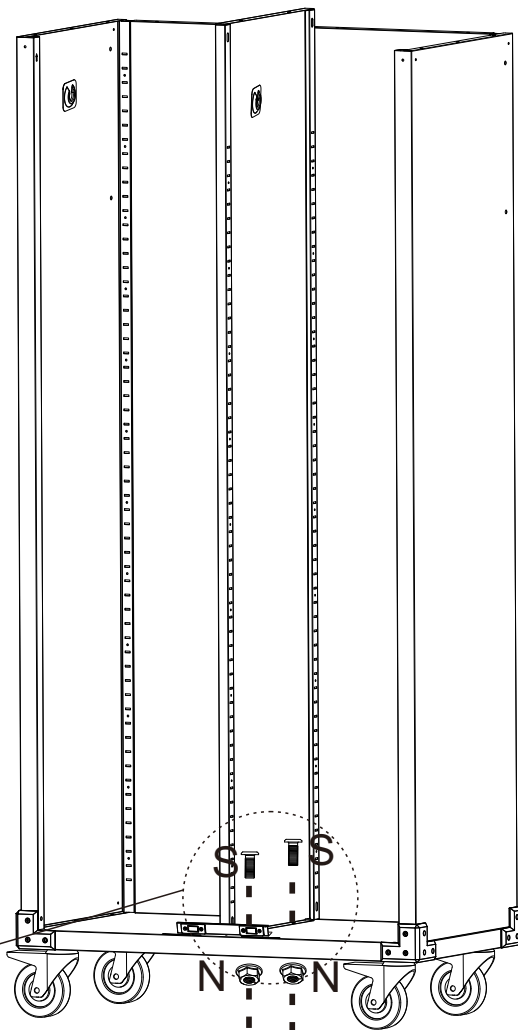
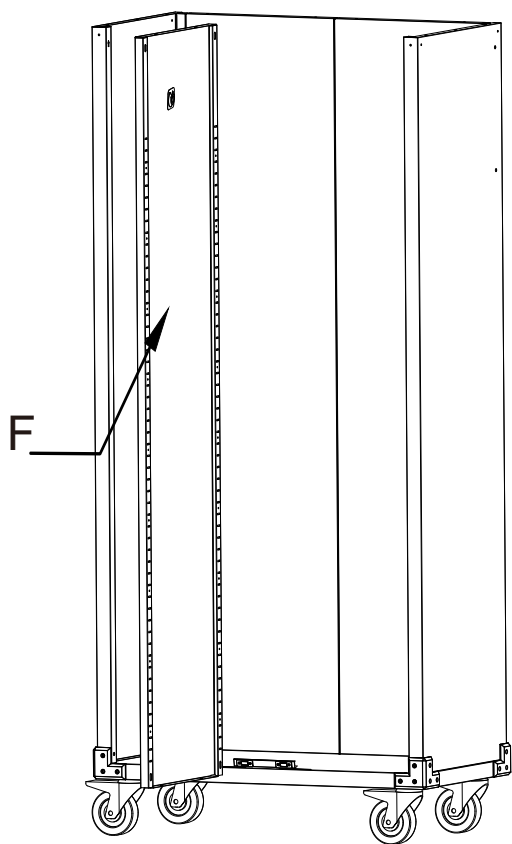
F×1



S×2



N×2



# Step:9



R×8



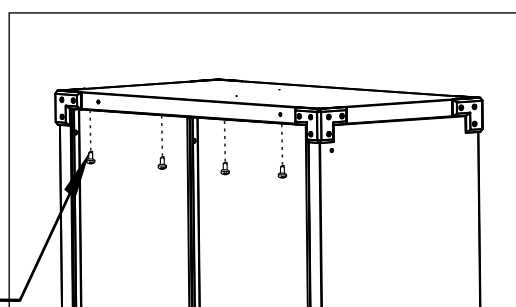
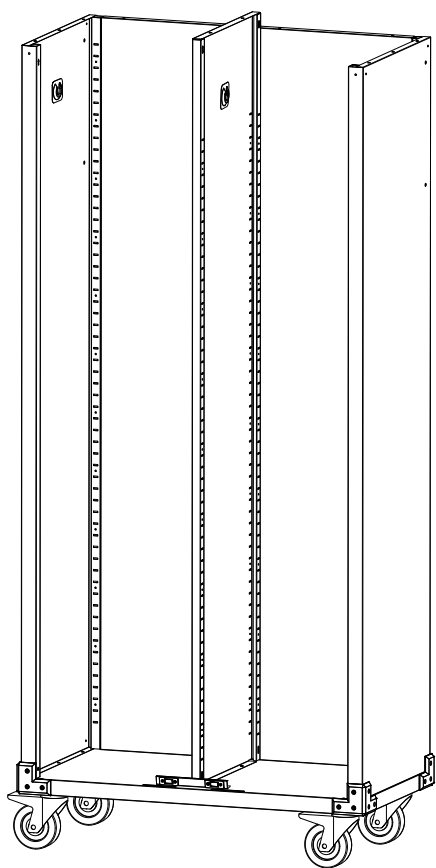
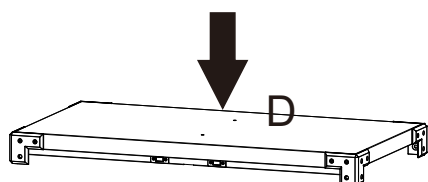
T×10



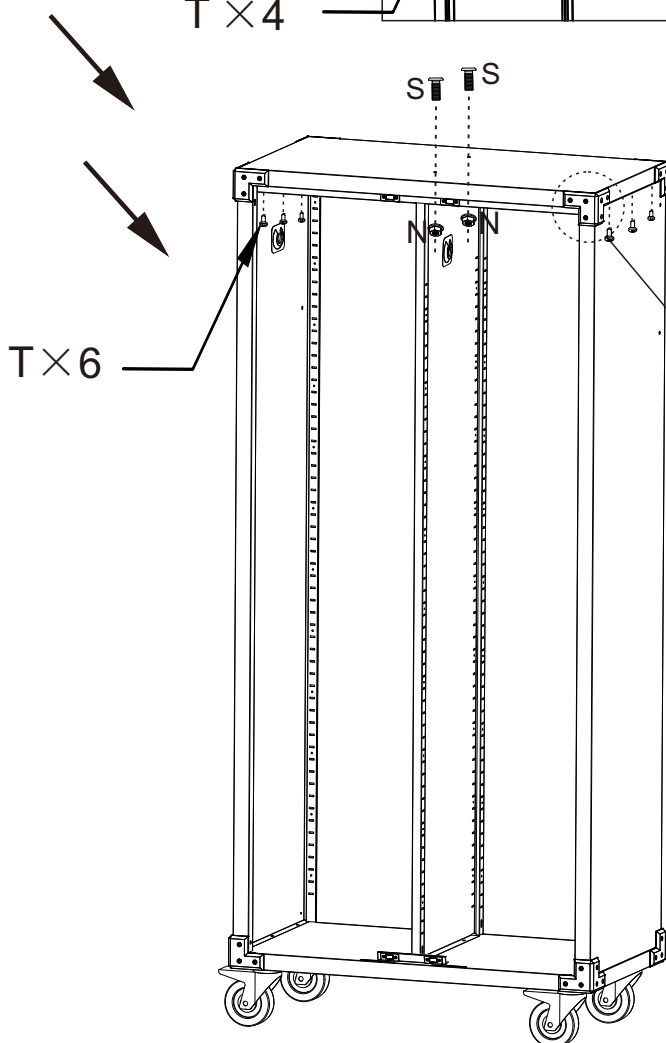
S×2



N×2

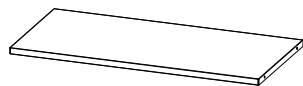


T×4



R×8

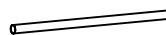
# Step:10



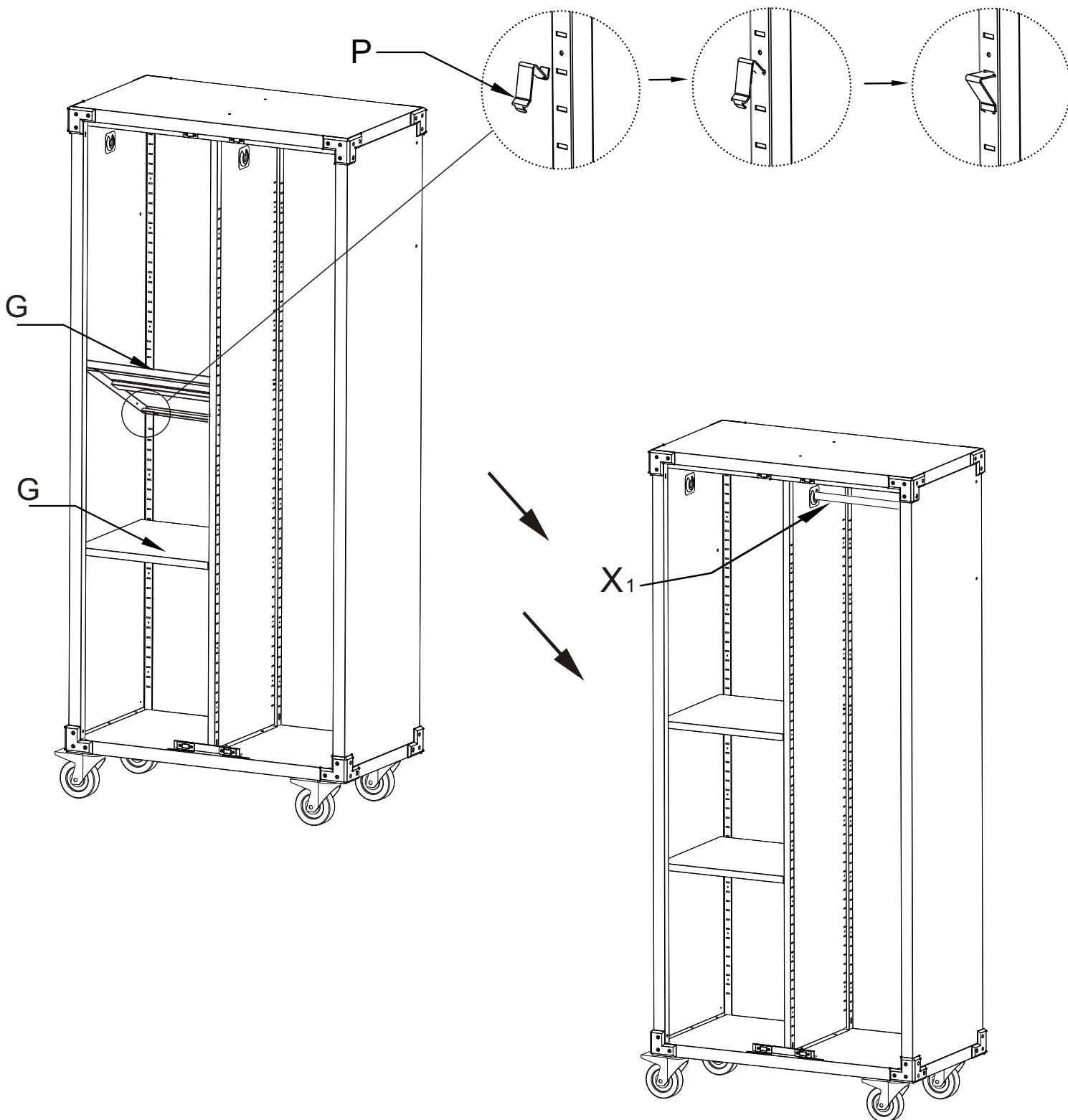
G×2



P×8



X1×1



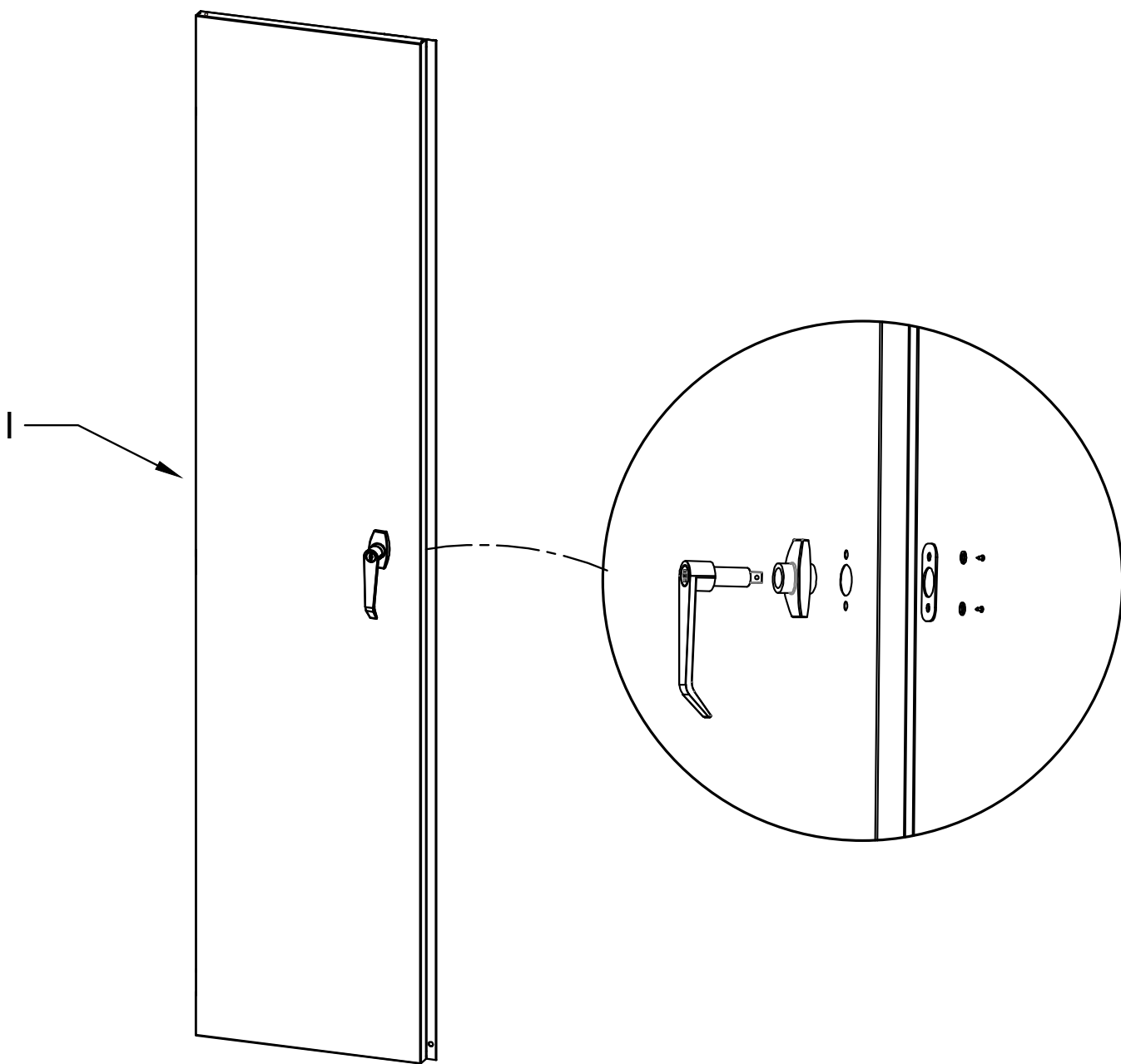
# Step:11



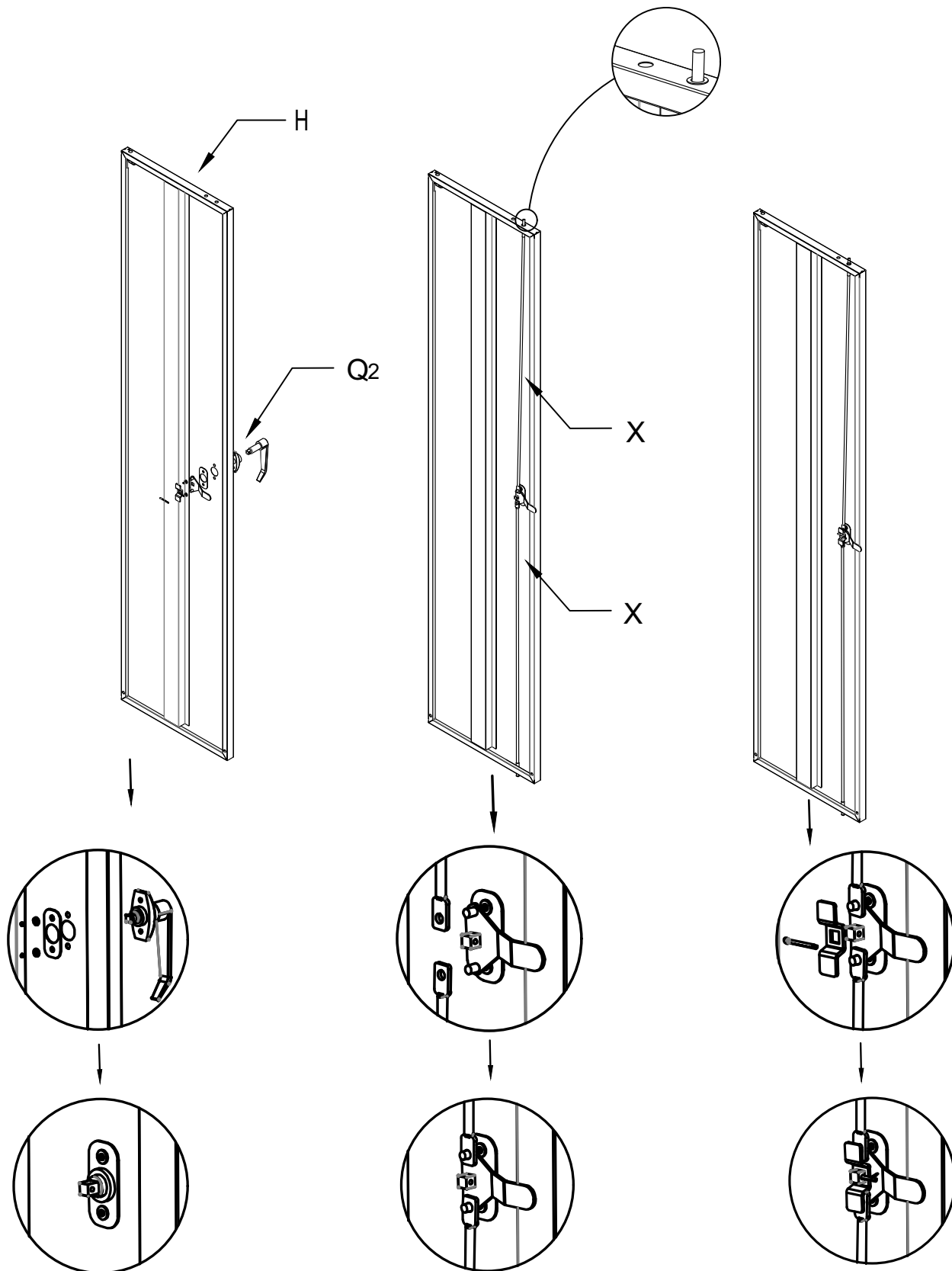
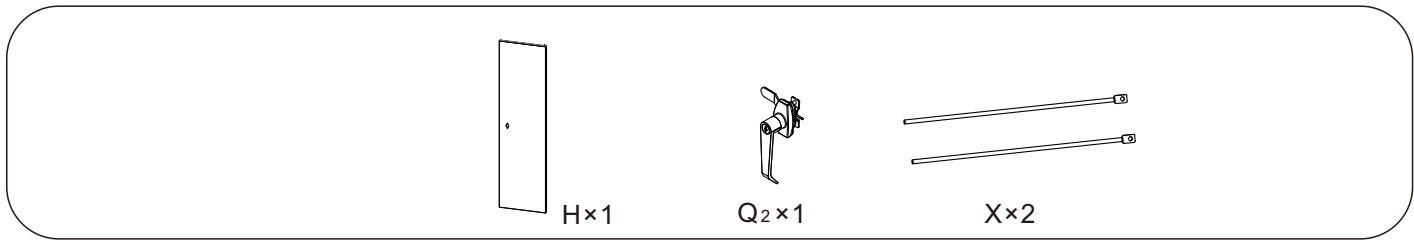
I×1



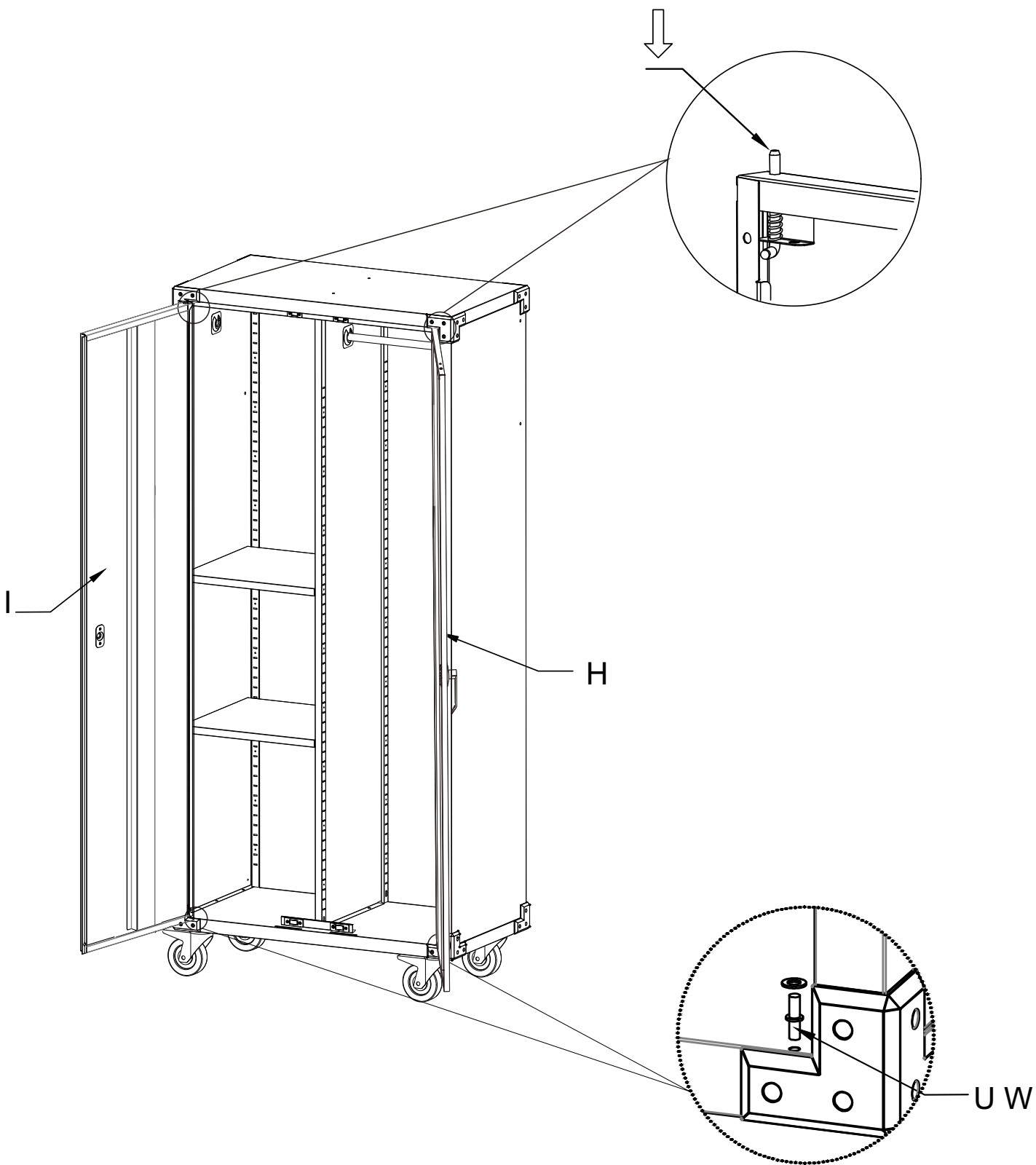
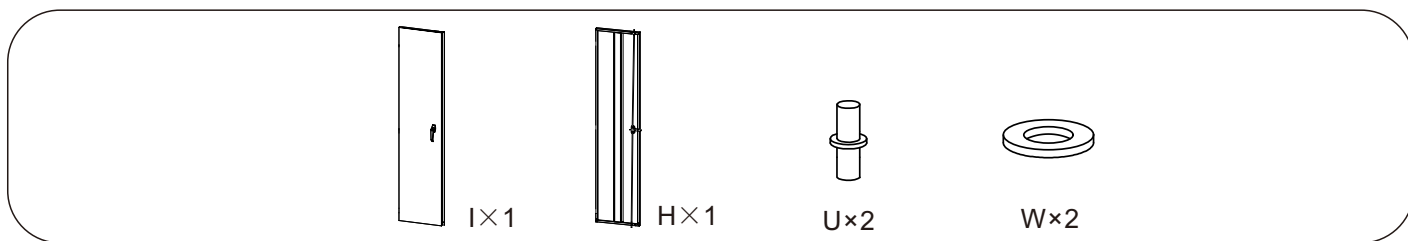
Q1×1



# Step:12



# Step:13



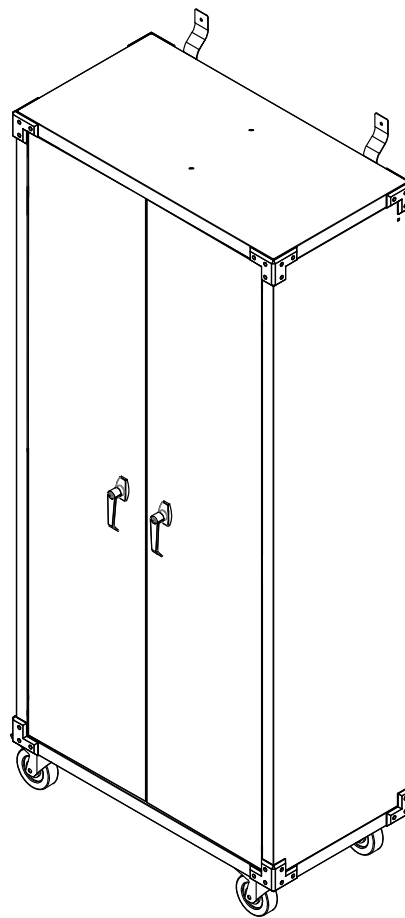
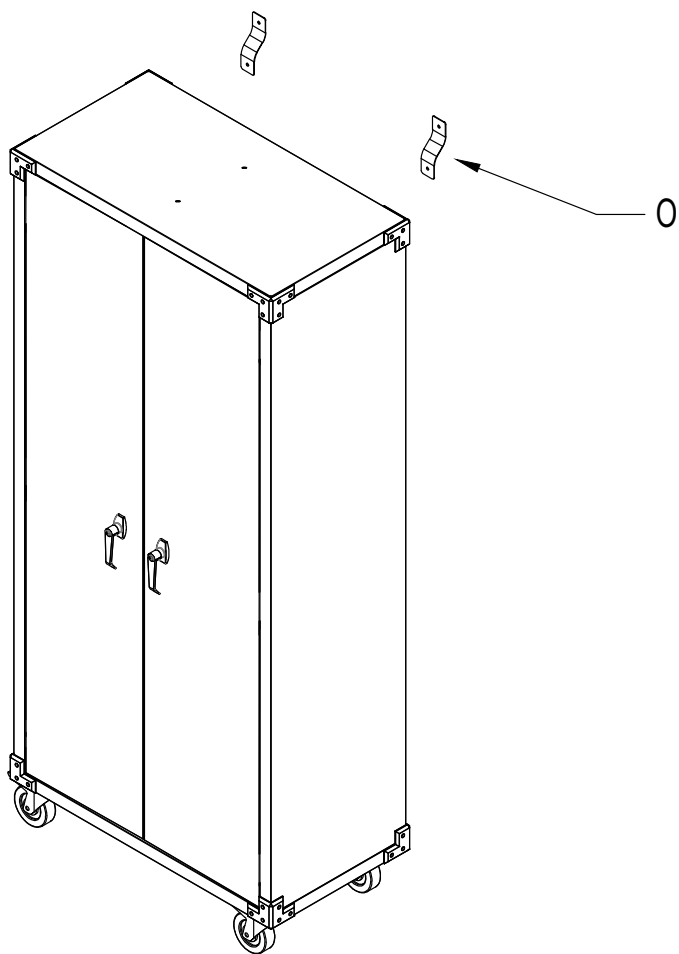
# Step:14



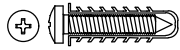
O×2



R×2



## Step:15



V×2

