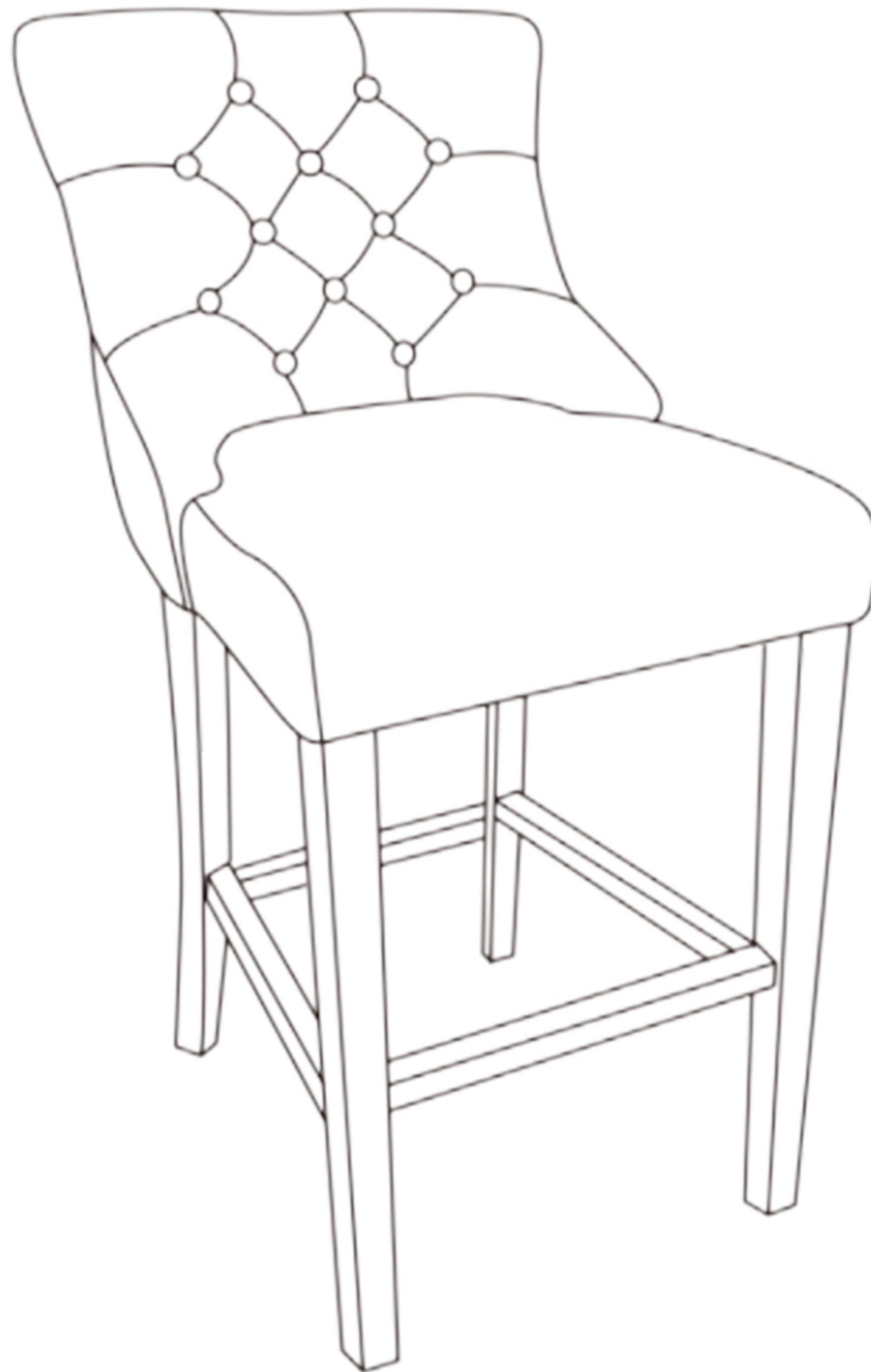


ASSEMBLY INSTRUCTION



SKU: 6020W

Dear customer,

Thank you very much for buying our items. Please read the assembly instruction carefully before assembly.

Notices:

- Verify that all parts are present and in good condition before assembly.
- Put the chair on a clean flat surface.
- Make sure to use 4 screws (D) to fix the back legs, 4 screws (E) to fix the front legs, and 8 screws(E) to fix the bars.
- Please tight the screws about 80% for the first step;
Then, sit with caution on the chair to adjust the balance of the frame;
Finally, tighten the screws completely 100%.
- If you find that four legs are unlevel after assembly, you can use adjustable pegs to keep four legs level.

Contact us

If there are installation problems, damage, missing parts, or any questions and concerns, please contact the shop where you bought it so we can make things right.

If the product is damaged, please send the following information:

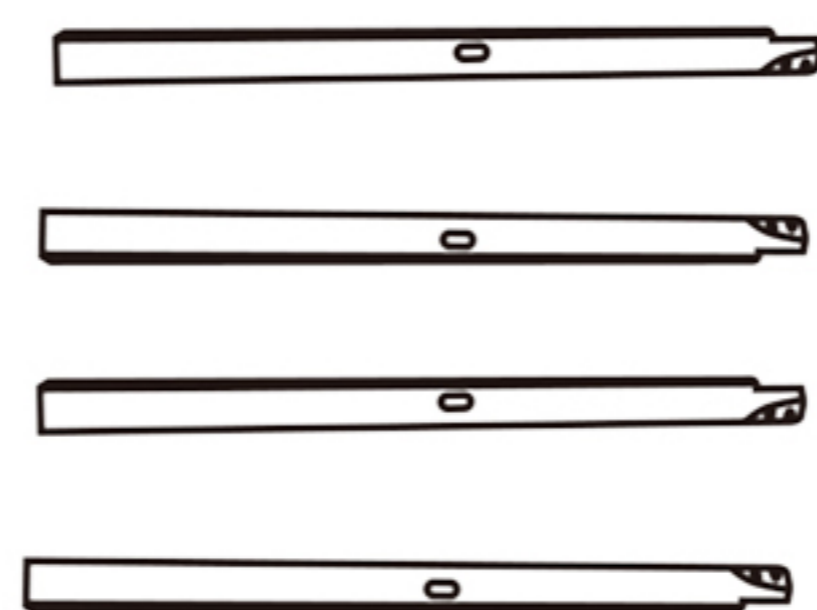
- Photos that show the reason for your claim/damage.
- Photos of the packaging (inside and outside).

Thank you very much for your support!

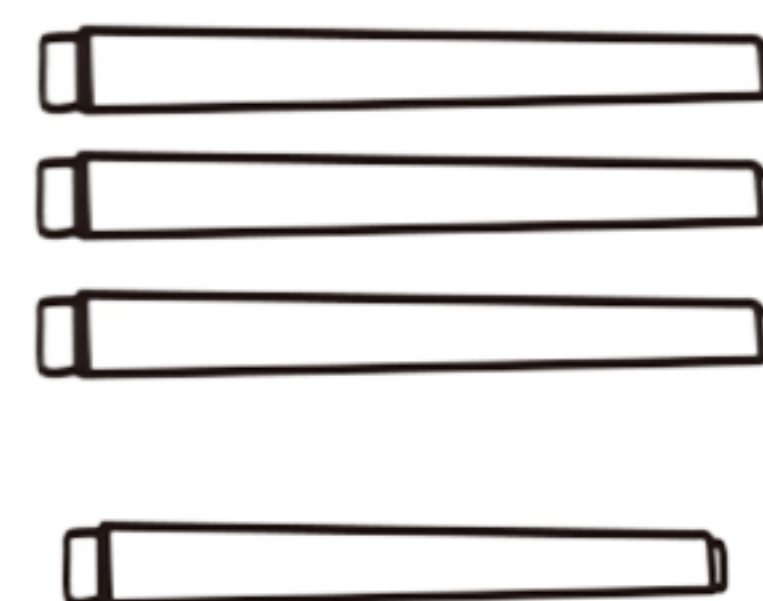
Package Contents



Seat



Legs



Bars

A × 8



Flat washer

B × 8



Spring washer

C × 1



Spanner

D × 4



M8x55mm
Screws

E × 4



M8x65mm
Screws

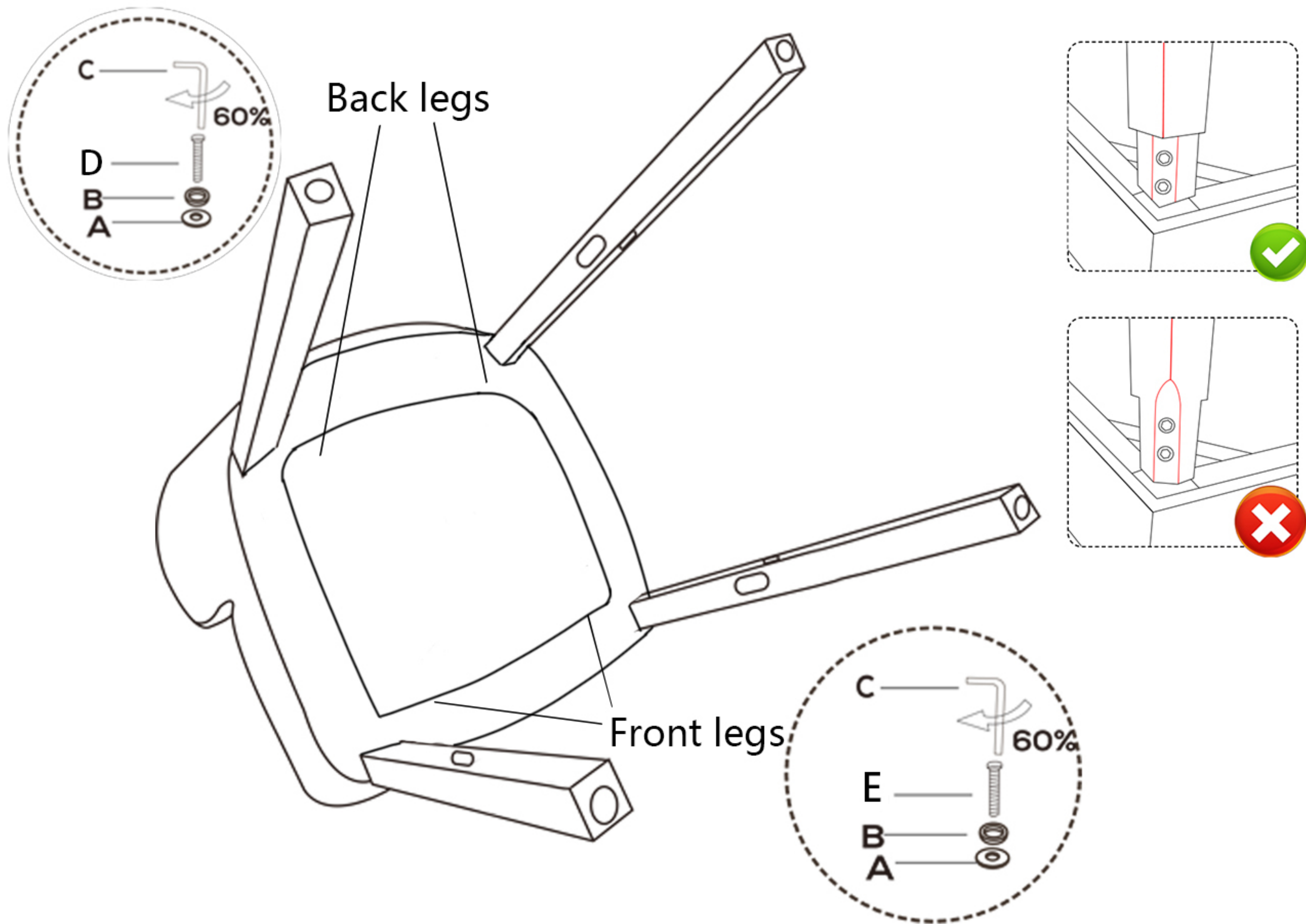
F × 8



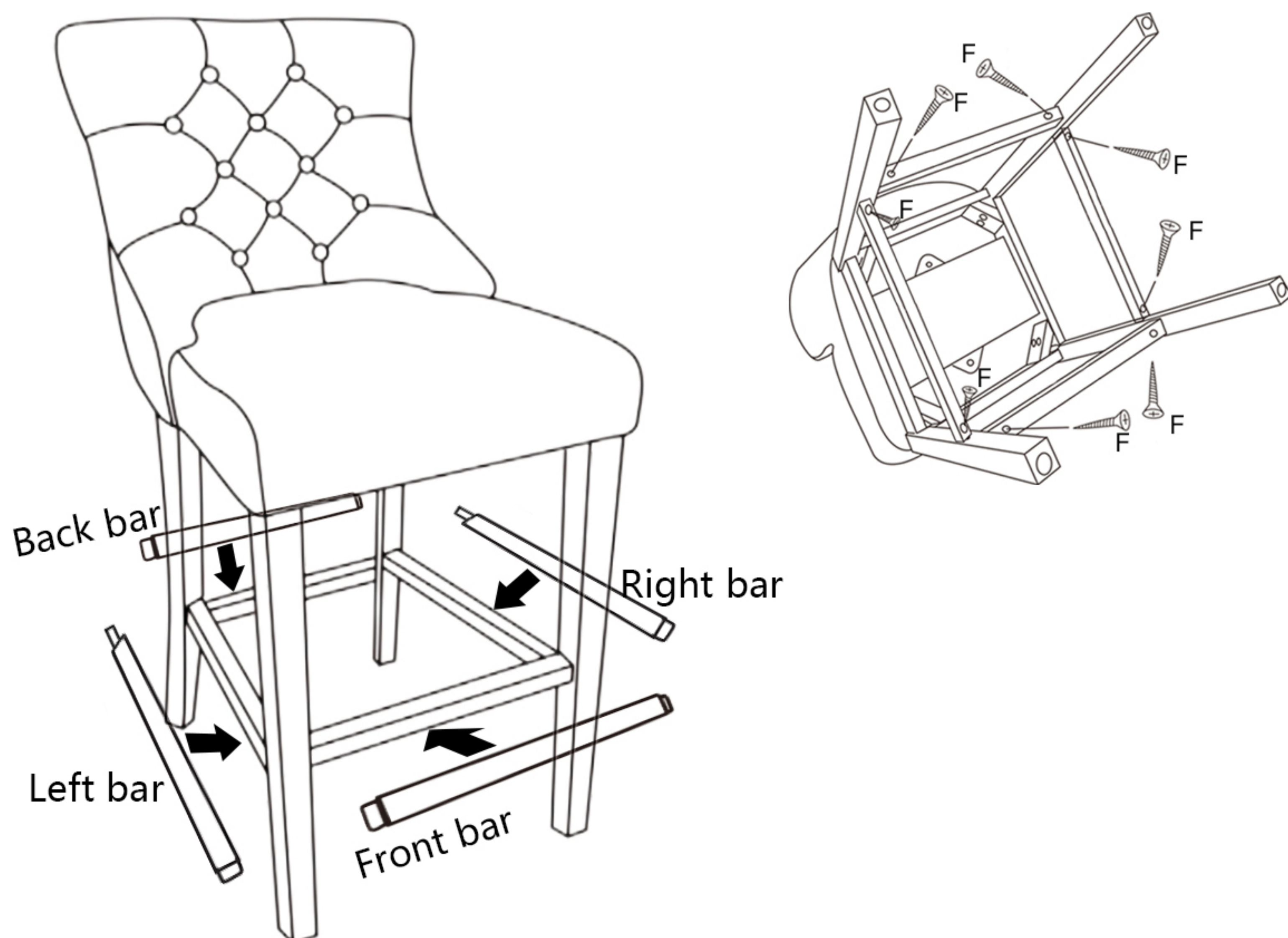
M4.5x45mm
Screws

Step by Step Guide

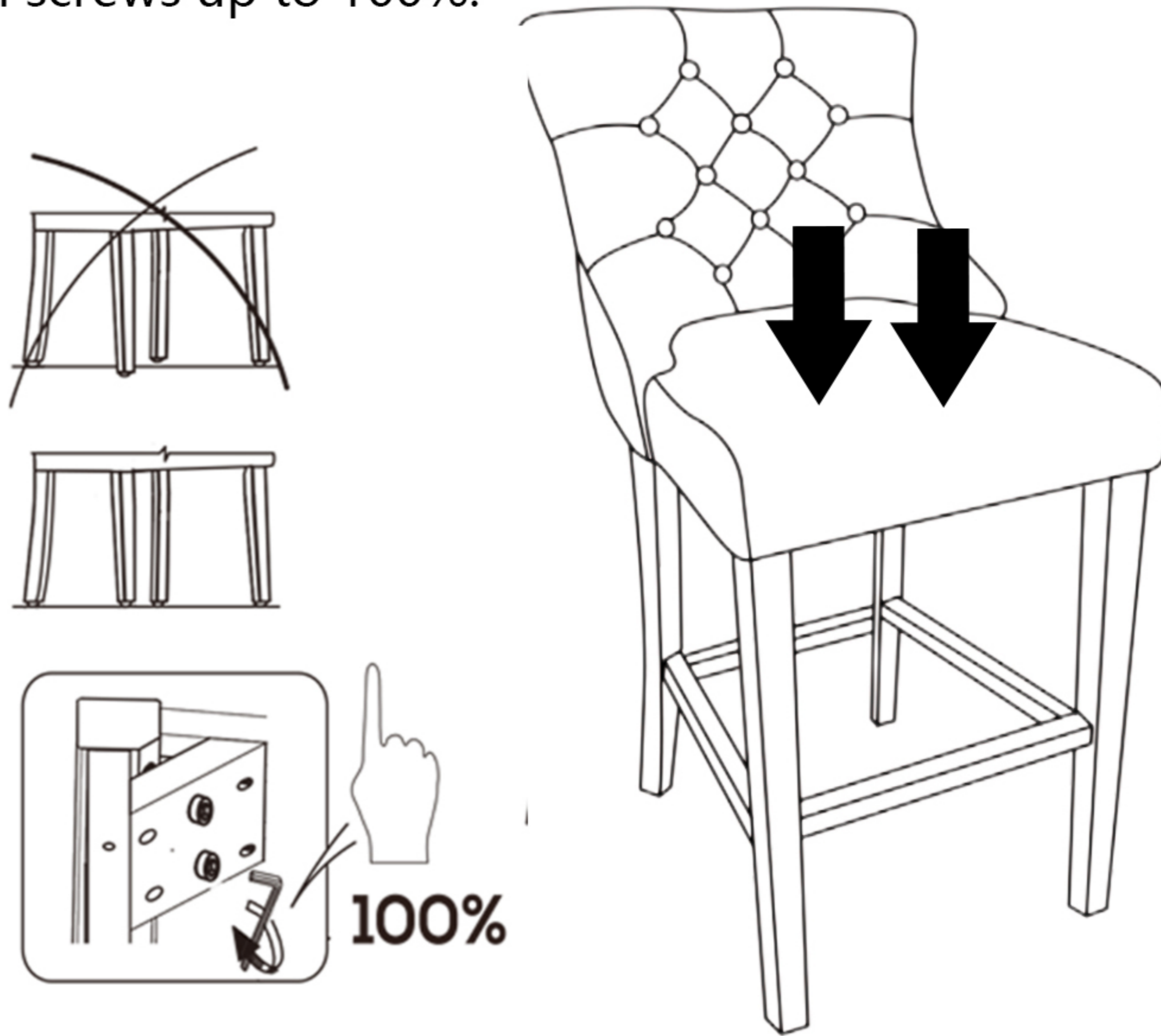
- 1 Take the legs by using screw (D/E) with the washer (#A, B). Just tighten the screws up to 60%-80%.



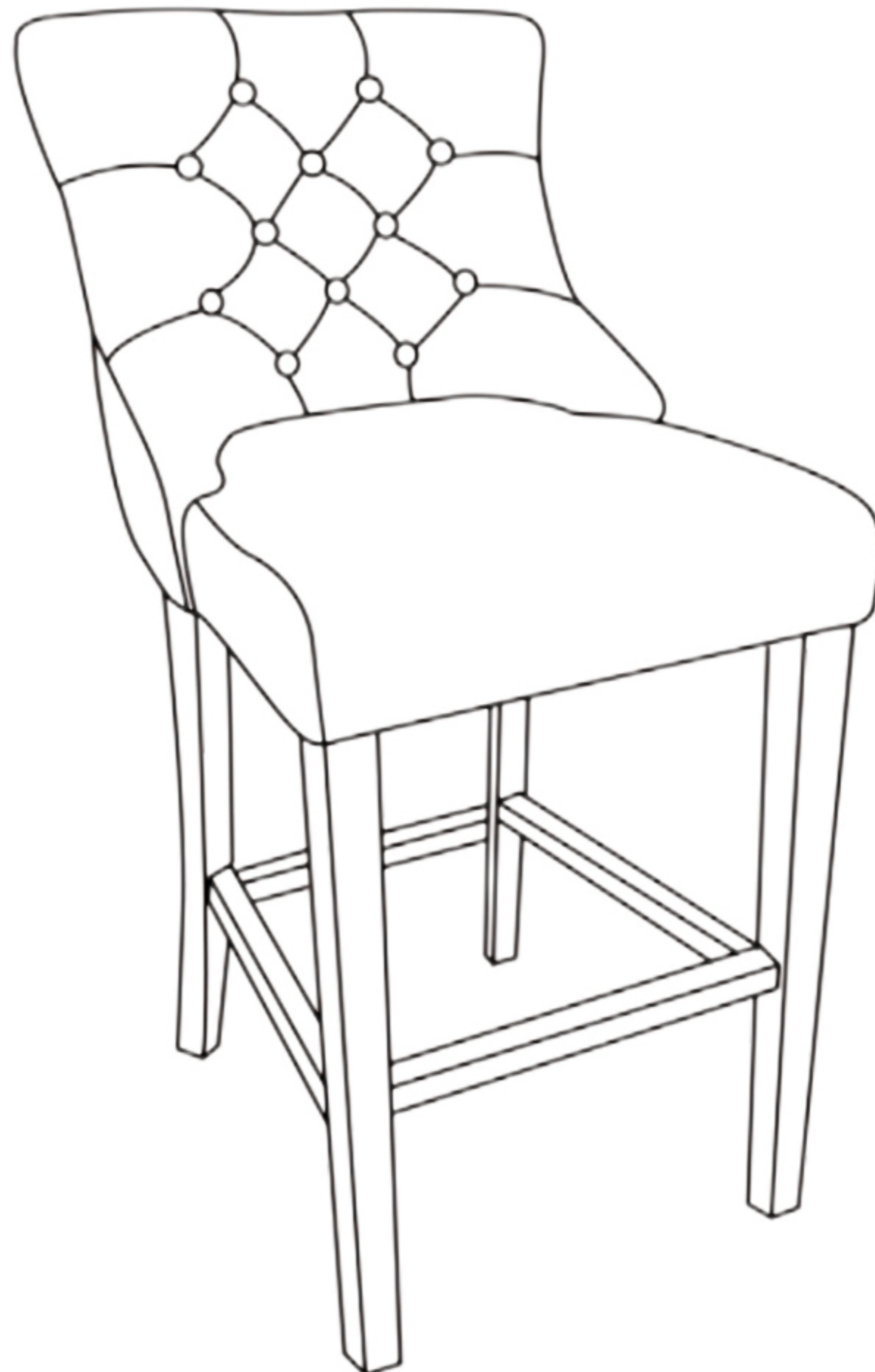
- 2 Take the bars to align the holes of the legs by using the screw(F). The back bar is longer than the others. Just tighten the screws up to 60%-80%.

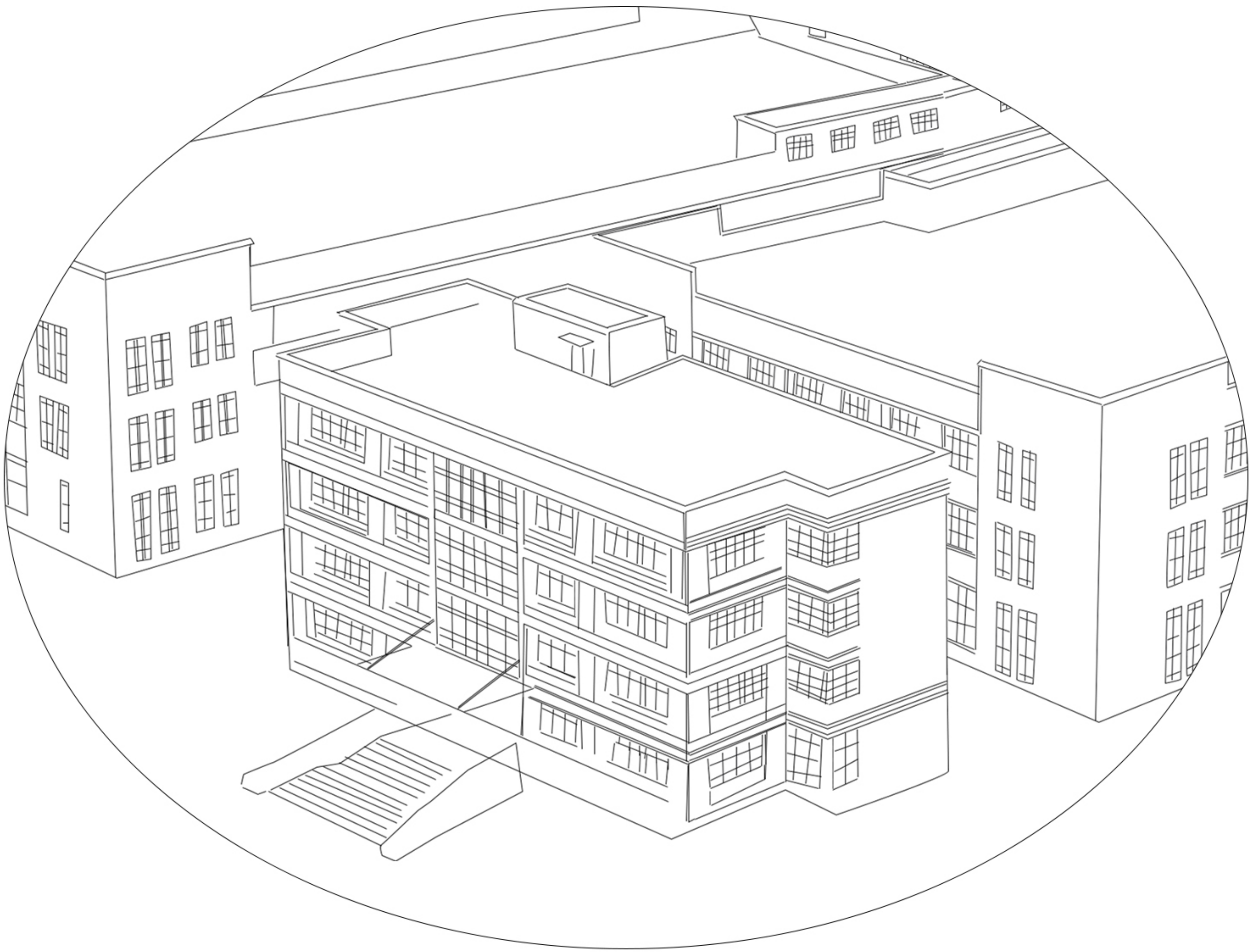


- 3** Sit on the barstool, be sure that all 4 feet touch the ground and the stool is leveled.
Tighten all screws up to 100%.



- 4** Check the barstool remains level when tightening.





About us

We are a professional manufactory for making and selling dining chairs. In the past 15 years, we have exported millions of chairs to Europe and USA.

We focus on providing you with high-quality products that meet international standards. To ensure timely shipping, we have built large warehouses in California, New York, and Georgia.