

CONFIGURATIONS:	DIMENSIONS:	FLANGE STYLE:	BAR DIAMETER:	FINISH:
STRAIGHT BAR: SB CENTER POST: CP CORNER MOUNT: CM VERTICAL ANGLE (LEFT): VL VERTICAL ANGLE (RIGHT): VR HORIZONTAL ANGLE: HA BOOMERANG BAR: BB.	XX XXXX XXXXXX ACCORDING TO CONFIGURATION	CONCEALED FLANGES: · TWIST FLANGE: TW · INTERNAL THREAD: IT · WELDED STUD: WS  EXPOSED FLANGE: EX  SEE BELOW FOR DETAILS	$\frac{1}{2}$ " - 150  $\frac{1}{4}$ " - 125	SATIN: SA PEENED: PN POLISHED: PO POWDER COAT · WHITE: PW · CREAM: PC · CUSTOM: PX OIL RUBBED · BRONZE: OB CUSTOM: XX



**\*\*Custom Dimensions and Finishes Available\*\***

EXAMPLE: BAR - SB 32 - EX 150 - SA  
 STRAIGHT BAR, 32" LONG, EXPOSED FLANGE, 1.50" DIAMTER BAR, SATIN FINISH

**OPERATION & INSTALLATION:**

When installed correctly CSI grab bars will support a static load in excess of 250lbs. Grab bar installation requires a reinforced wall backing. It is the responsibility of the designers, builders and installers to evaluate the application and the wall to specify the appropriate fasteners. Consult local building codes and current ADA requirements to assure compliance.

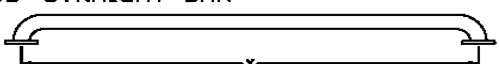
**ADA Grab Bar Compliance (4.26)**  
 Diameter of grab bars should be 1-1/4" to 1-1/2" (30-40mm) with 1-1/2"(40mm) clearance from the wall. Grab bars should not rotate in their fittings. The required mounting height is 33" to 36" (840-915mm) from the centerline of the grab bar to the finish floor. Structural strength of grab bars and their mounting devices should exceed 250 lbs of force (1112 N).

**MATERIALS:**

Grab bars are made from 304 (18-8) Stainless Steel tubing. Tube walls are 18 gauge (1.2mm). Bars are available in either 1-1/2" (38mm) or 1-1/4" (32mm) diameter.

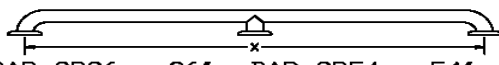
**GRAB BAR**  
STANDARD CONFIGURATIONS

**SB: STRAIGHT BAR**



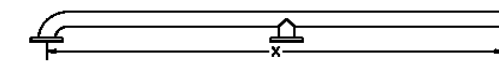
BAR-SB12	x=12"	BAR-SB32	x=32"
BAR-SB16	x=16"	BAR-SB36	x=36"
BAR-SB18	x=18"	BAR-SB42	x=42"
BAR-SB24	x=24"	BAR-SB48	x=48"
BAR-SB30	x=30"	BAR-SBXX	x= "

**CP: CENTER POST BAR**



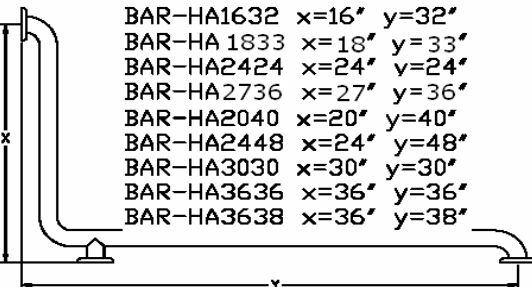
BAR-CP36	x=36"	BAR-CP54	x=54"
BAR-CP42	x=42"	BAR-CP60	x=60"
BAR-CP48	x=48"	BAR-CPXX	x= "
BAR-CP52	x=52"		

**CM: CORNER MOUNT BAR**



BAR-CM48	x=48"
BAR-CM52	x=52"
BAR-CM54	x=54"
BAR-CMXX	x= "

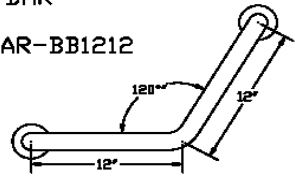
**HA: HORIZONTAL ANGLE BAR**



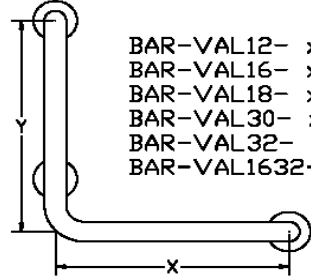
BAR-HA1632	x=16"	y=32"
BAR-HA 1833	x=18"	y=33"
BAR-HA2424	x=24"	y=24"
BAR-HA2736	x=27"	y=36"
BAR-HA2040	x=20"	y=40"
BAR-HA2448	x=24"	y=48"
BAR-HA3030	x=30"	y=30"
BAR-HA3636	x=36"	y=36"
BAR-HA3638	x=36"	y=38"

**BB: BOOMERANG BAR**

BAR-BB1212

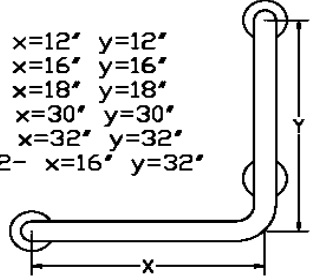


**VA: VERTICAL ANGLE BAR (LEFT HAND)**



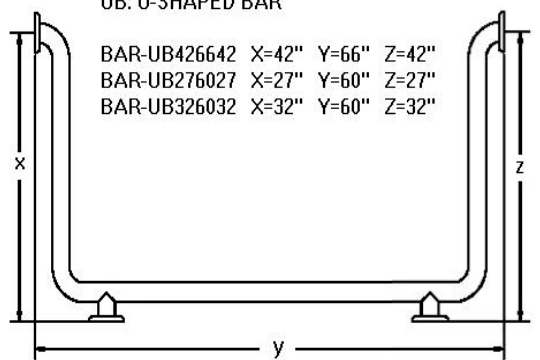
BAR-VAL12-	x=12"	y=12"
BAR-VAL16-	x=16"	y=16"
BAR-VAL18-	x=18"	y=18"
BAR-VAL30-	x=30"	y=30"
BAR-VAL32-	x=32"	y=32"
BAR-VAL1632-	x=16"	y=32"

**VA: VERTICAL ANGLE BAR (RIGHT HAND)**



BAR-VAR12-	x=12"	y=12"
BAR-VAR16-	x=16"	y=16"
BAR-VAR18-	x=18"	y=18"
BAR-VAR30-	x=30"	y=30"
BAR-VAR32-	x=32"	y=32"
BAR-VAR1632-	x=16"	y=32"

**UB: U-SHAPED BAR**



BAR-UB426642	X=42"	Y=66"	Z=42"
BAR-UB276027	X=27"	Y=60"	Z=27"
BAR-UB326032	X=32"	Y=60"	Z=32"