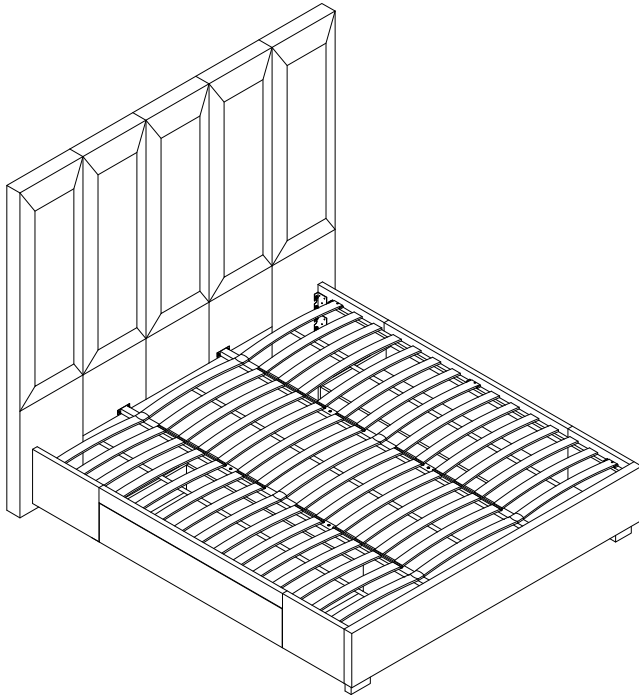


# ASSEMBLY INSTRUCTION



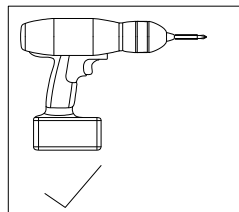
Please **TEAR OFF** this shrink film from side!  
**DO NOT USE CUTTER!**

## IMPORTANT NOTE

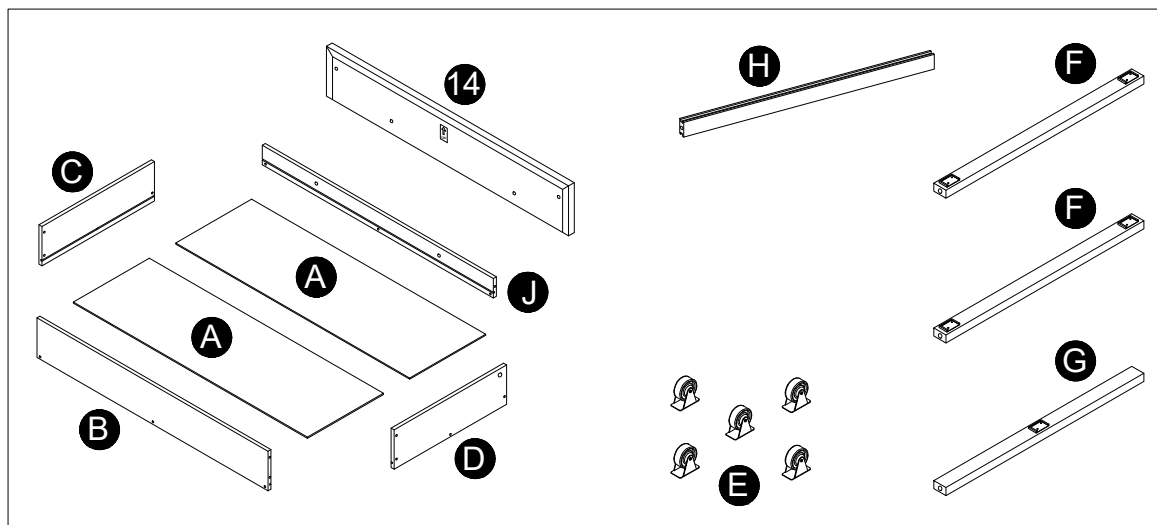
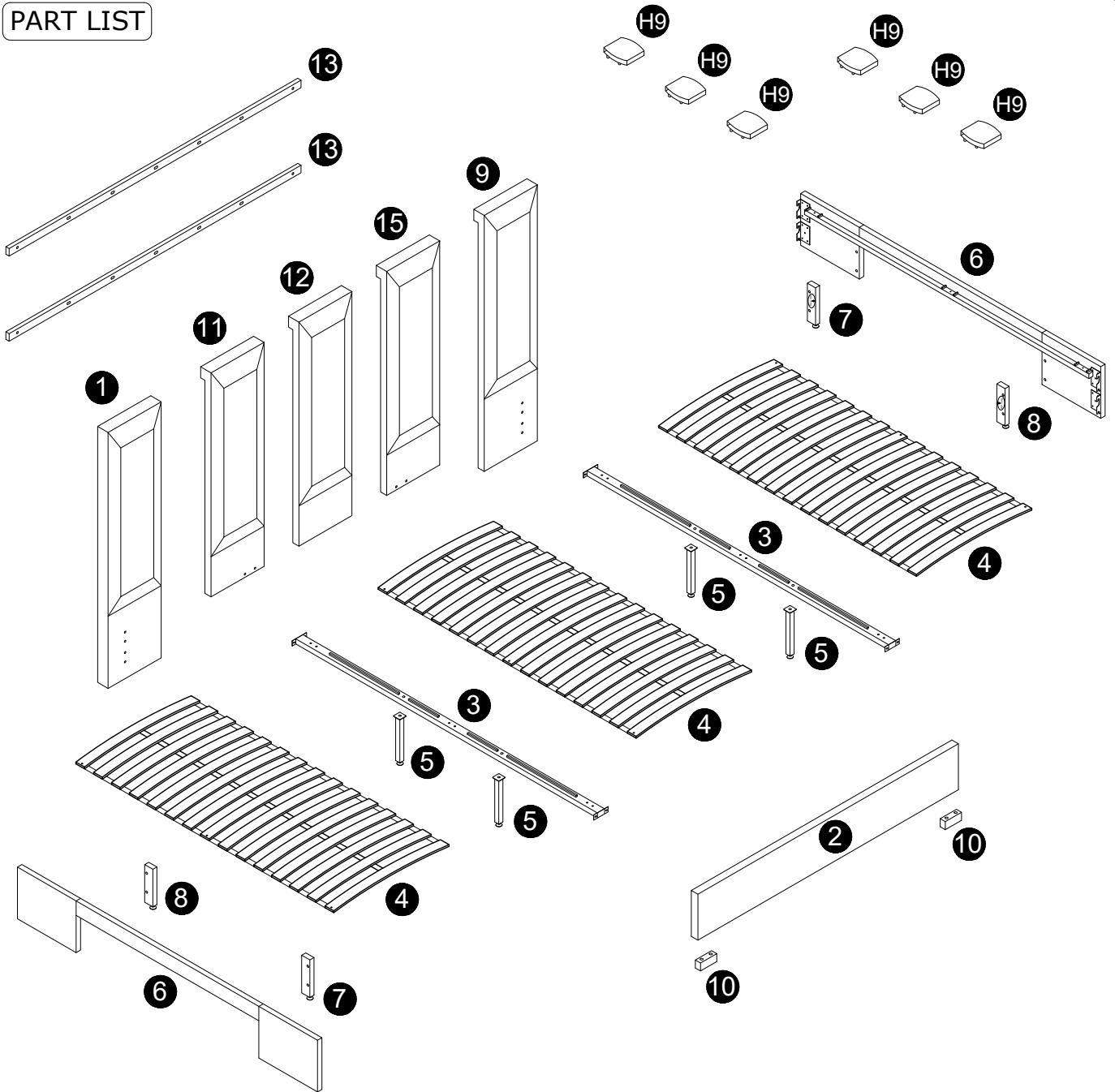
- 1. The product is shipped in three packages. Please check the number of packages received before assembly. If you are missing one package, receive a duplicate package, or have any assembly or after-sales issues, please contact**
2. For the protection of your furniture, place all parts on a clean and smooth surface to prevent any damage.
3. Keep fittings out of children's reach and keep children well away from construction area.
4. When moving your assembled bed, it is best to lift the bed and never to drag it.
5. Do not use this product if parts are missing, damaged or worn.
6. This product should only be used on firm, level ground.
7. Please periodically check all fittings and re-tighten as necessary.
8. Do not use the bed unless all bolts and screws are firmly secured.
9. For further assistance, please provide a screenshot of your order and contact us



Minimum two  
person assembly

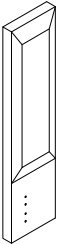
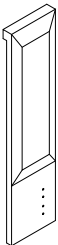
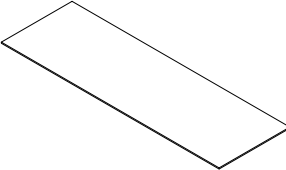
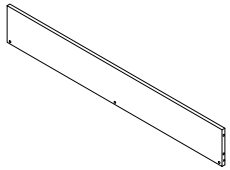
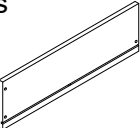
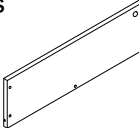



**PART LIST**

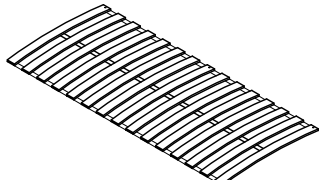



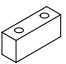
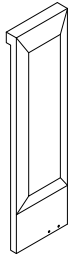
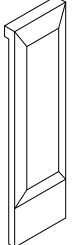


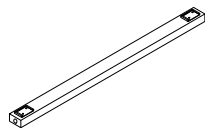
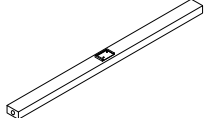
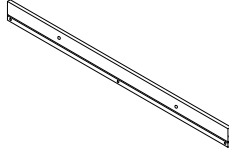



**x2**

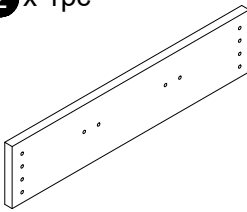
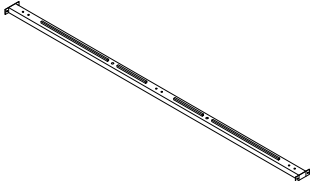
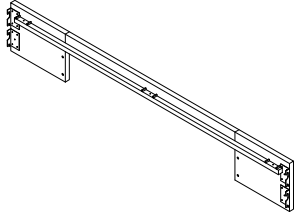
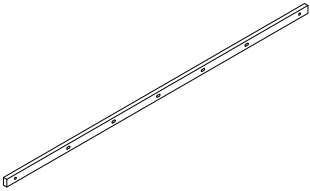
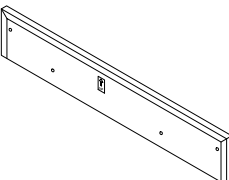
### Components of Carton A

<p><b>1</b> x 1pc</p> 	<p><b>9</b> x 1pc</p> 	<p><b>A</b> x 4pcs</p> 	<p><b>B</b> x 2pcs</p> 
<p><b>C</b> x 2pcs</p> 	<p><b>D</b> x 2pcs</p> 	<p><b>H</b> x 2pcs</p> 	

### Components of Carton B

<p><b>4</b> x 3pcs</p> 	<p><b>5</b> x 4pcs</p> 	<p><b>7</b> x 2pcs</p> 	<p><b>8</b> x 2pcs</p> 	
<p><b>10</b> x 2pcs</p> 	<p><b>11</b> x 1pc</p> 	<p><b>12</b> x 1pc</p> 	<p><b>15</b> x 1pc</p> 	
<p><b>E</b> x 10pcs</p> 	<p><b>F</b> x 4pcs</p> 	<p><b>G</b> x 2pcs</p> 	<p><b>J</b> x 2pcs</p> 	<p><b>H9</b> x 6pcs</p> 


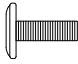
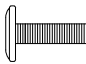




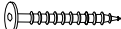
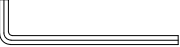


### Components of Carton C

<p><b>2</b> x 1pc</p> 	<p><b>3</b> x 2pcs</p> 	<p><b>6</b> x 2pcs</p> 	<p><b>13</b> x 2pcs</p> 
<p><b>14</b> x 2pcs</p> 			

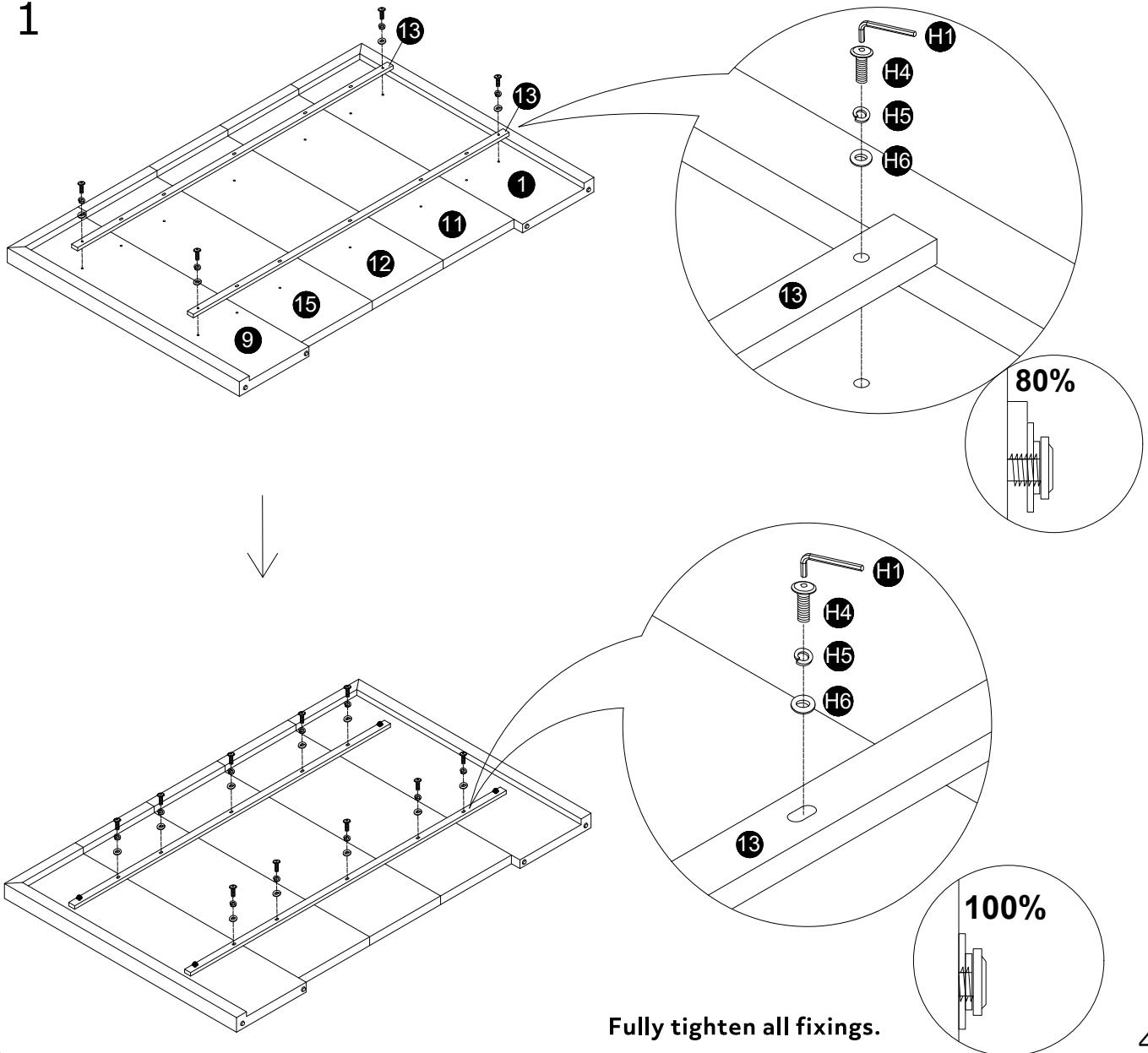
Please ensure to thoroughly inspect the small inner cardboard box containing the hardware, which are tied with a red string, before disposing of the box.

**HARDWARE LIST**

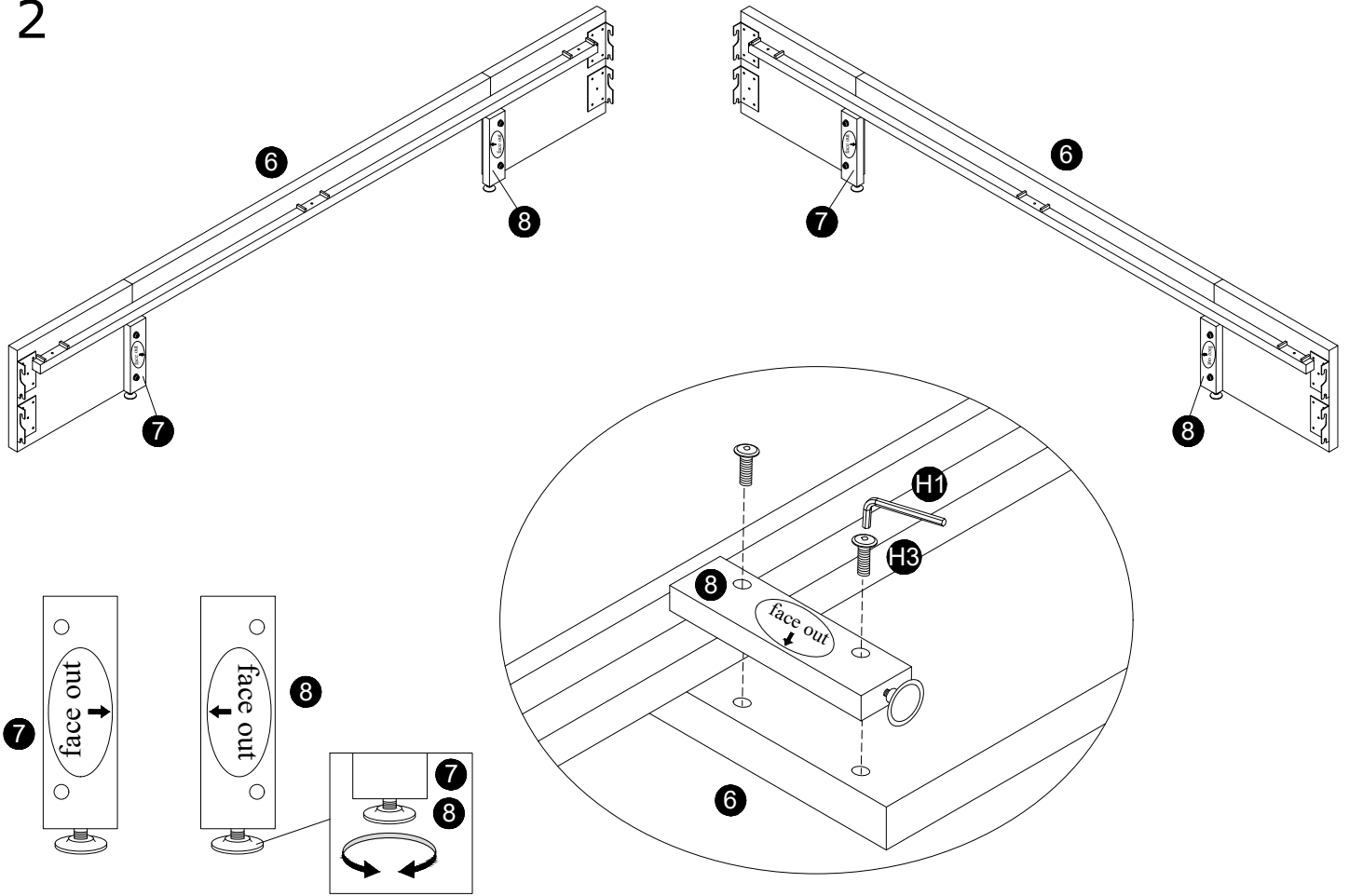
**Components of Carton B**

 <b>H1</b> M5 x 1pc	 <b>H2</b> M8x25mm x 24pcs	 <b>H3</b> M8x35mm x 12pcs	 <b>H4</b> M8x50mm x 22pcs
 <b>H5</b> M8 x 34pcs	 <b>H6</b> M8x22mm x 34pcs	 <b>H8</b> x 6pcs	 <b>H10</b> M6x45mm x 28pcs
 <b>H11</b> M4 x 1pc	 <b>H12</b> x 4pcs	 <b>H13</b> x 4pcs	

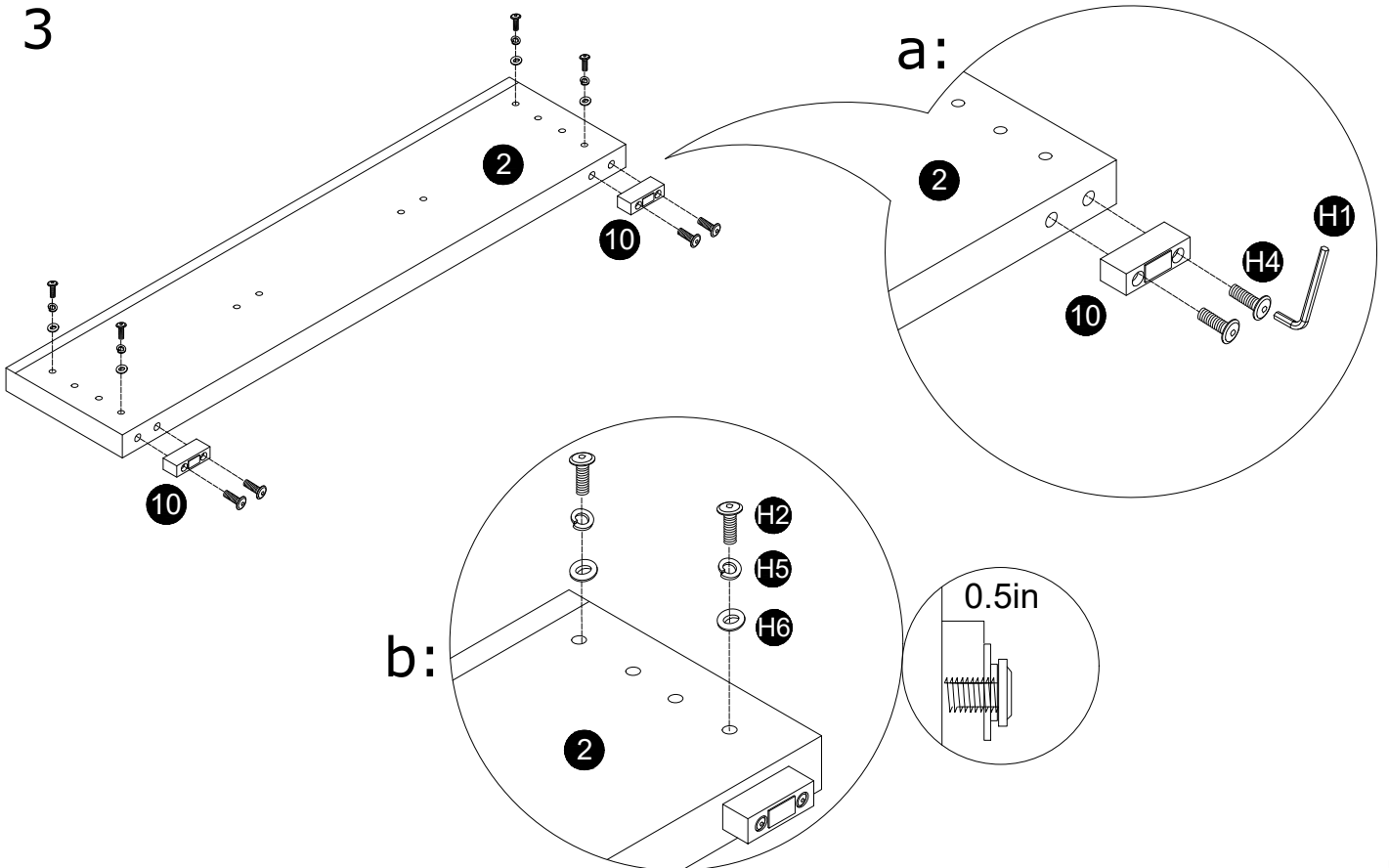
**1**



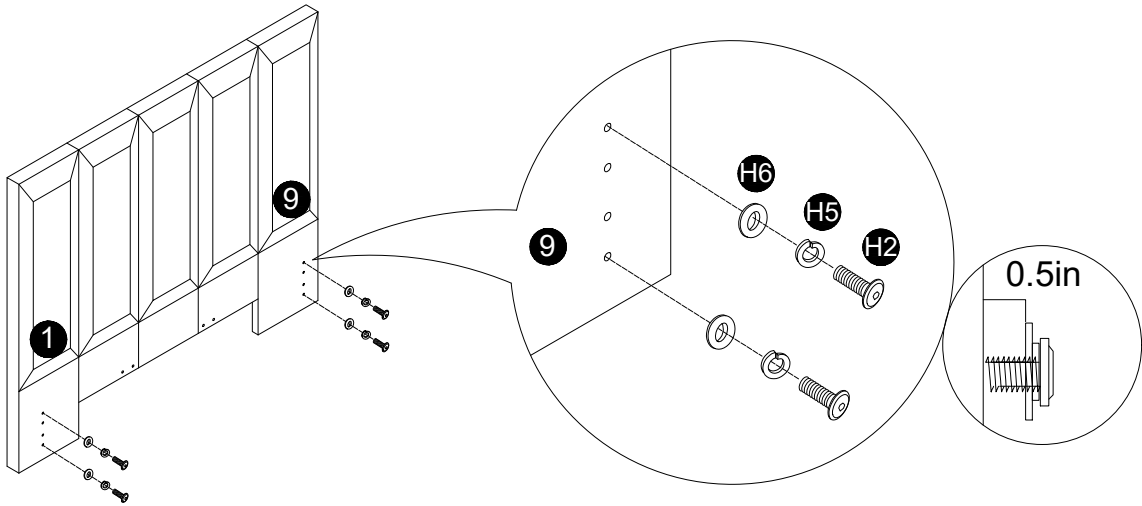
2



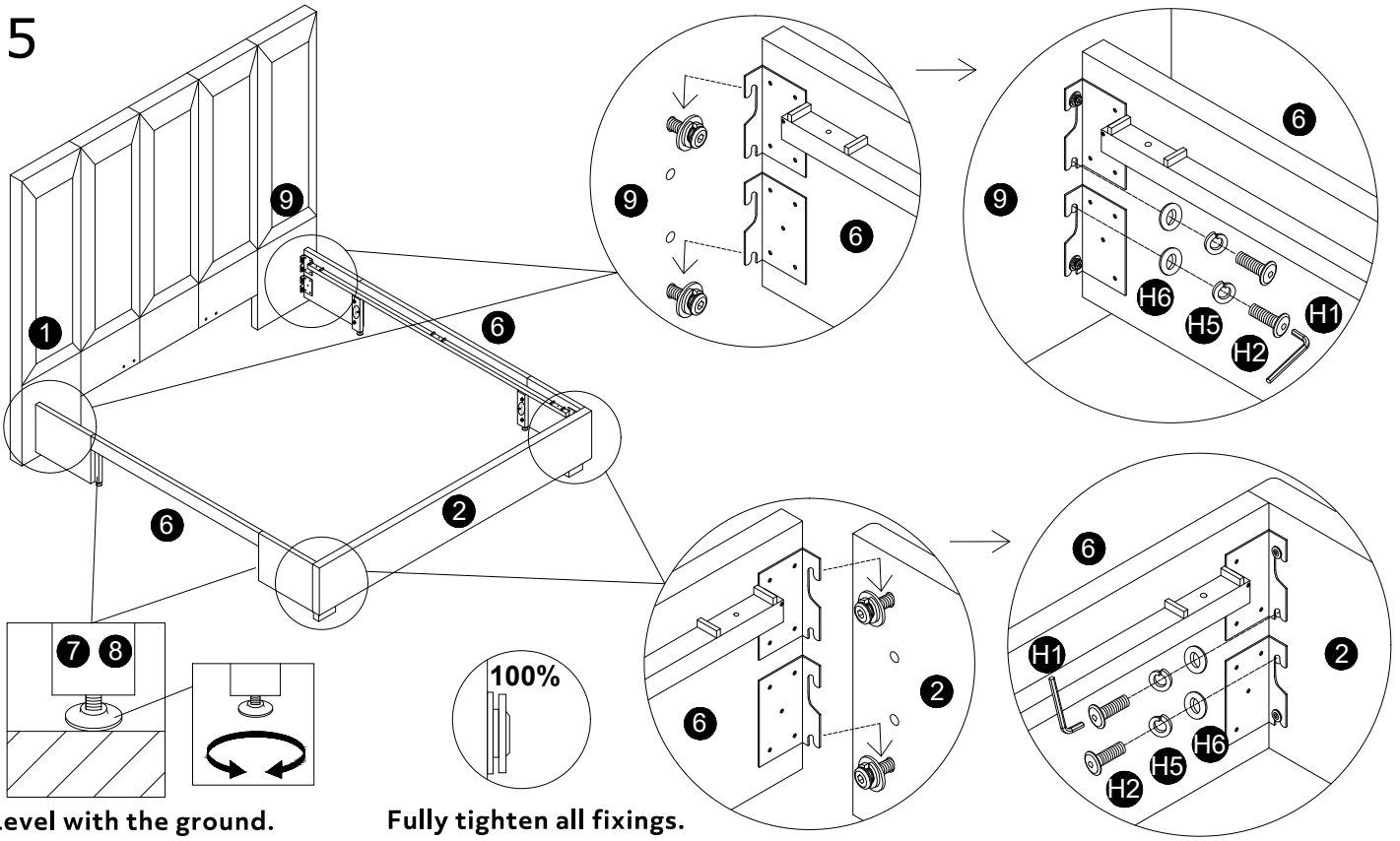
3



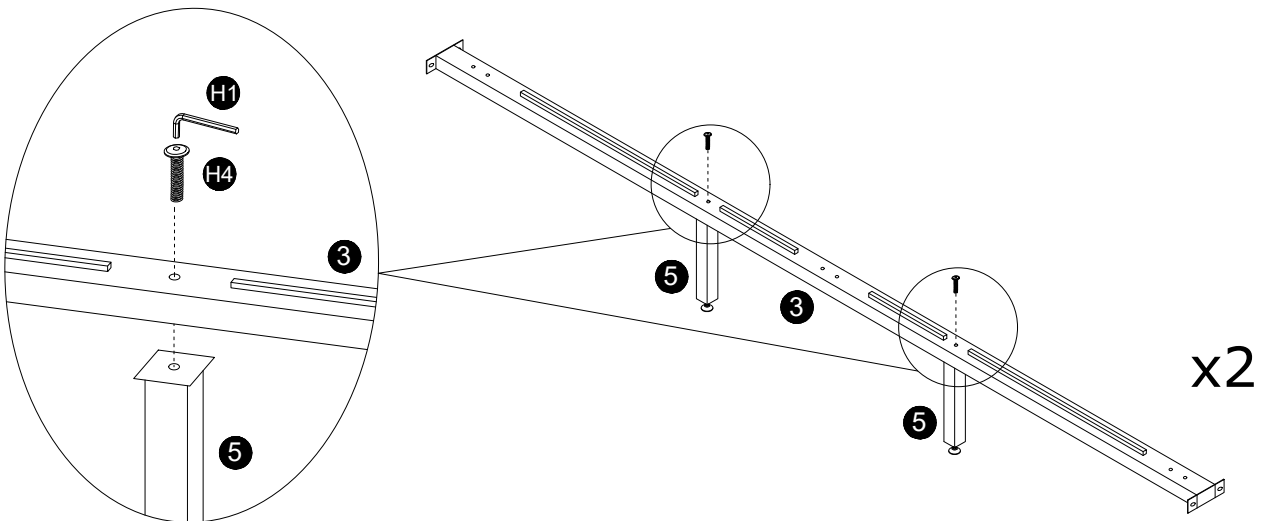
4

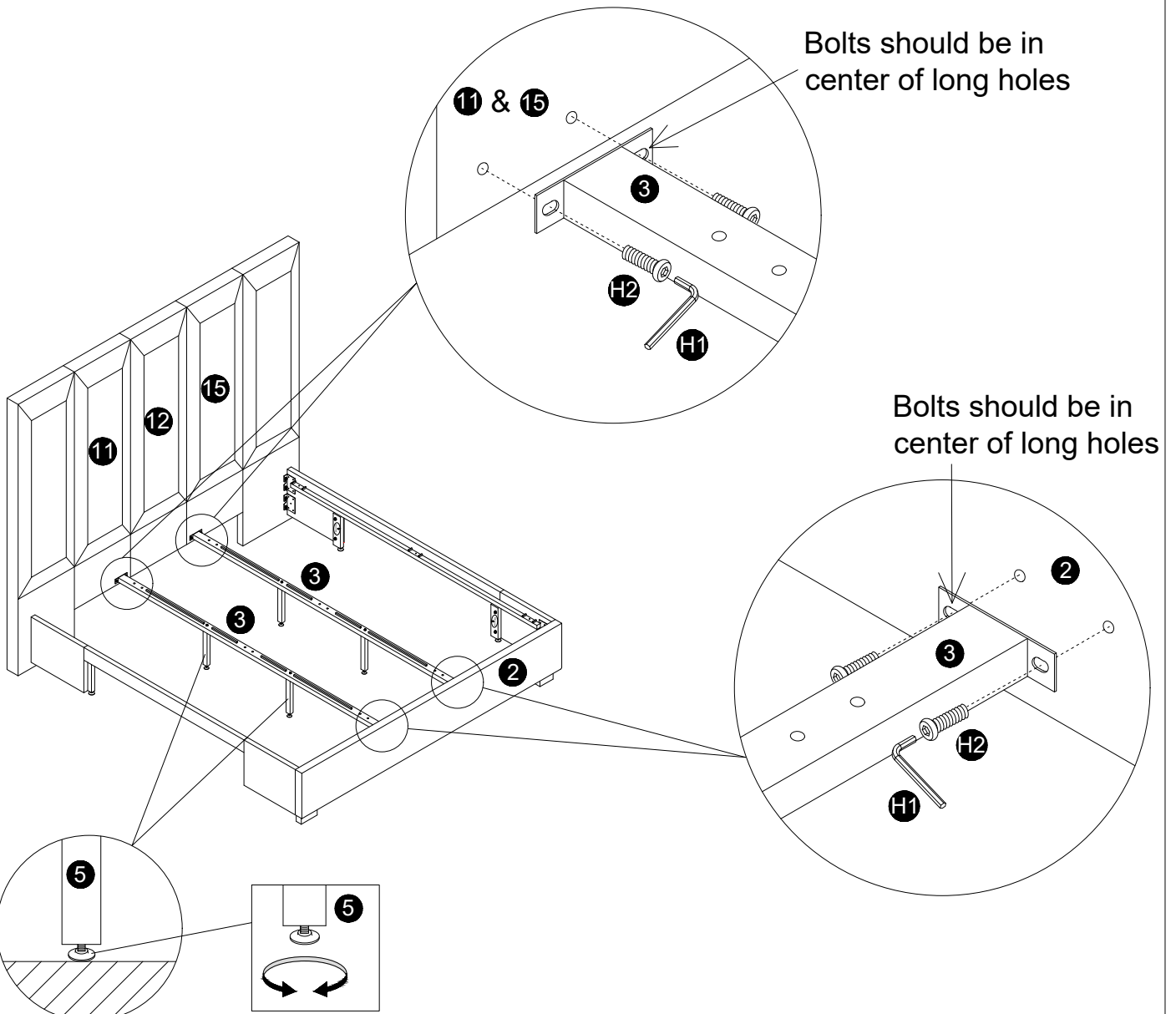


5

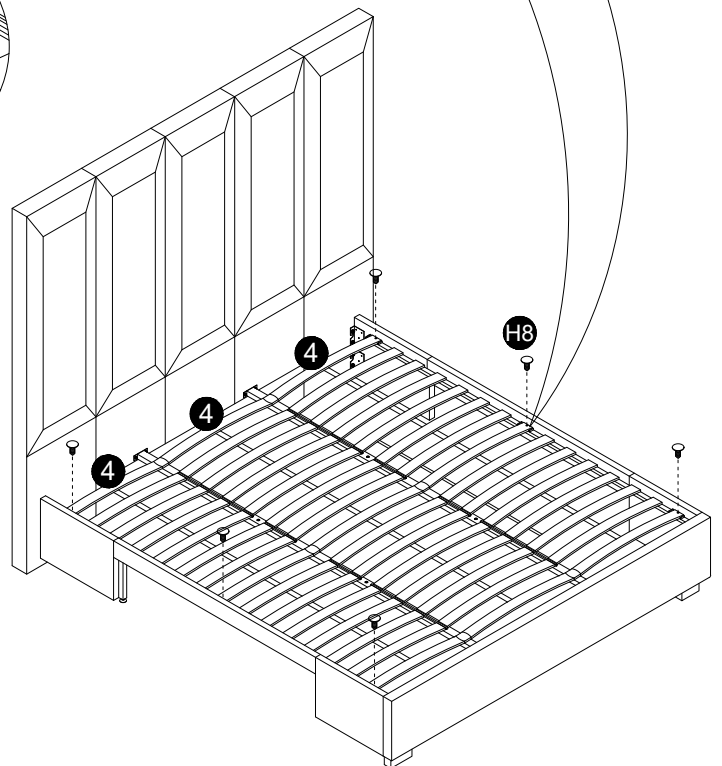
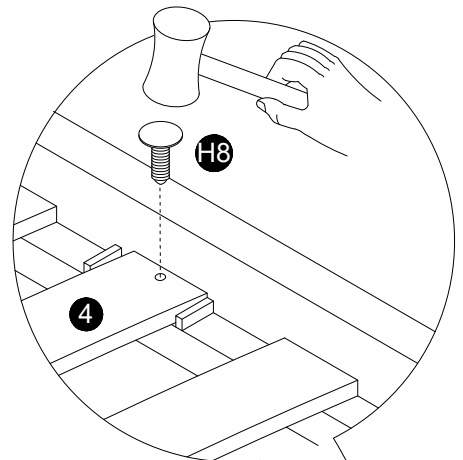
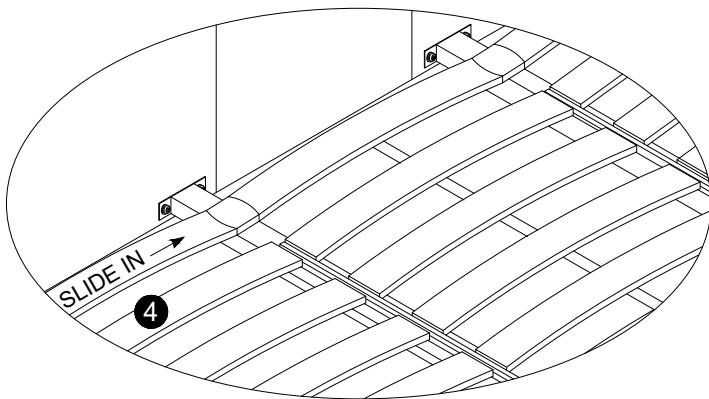
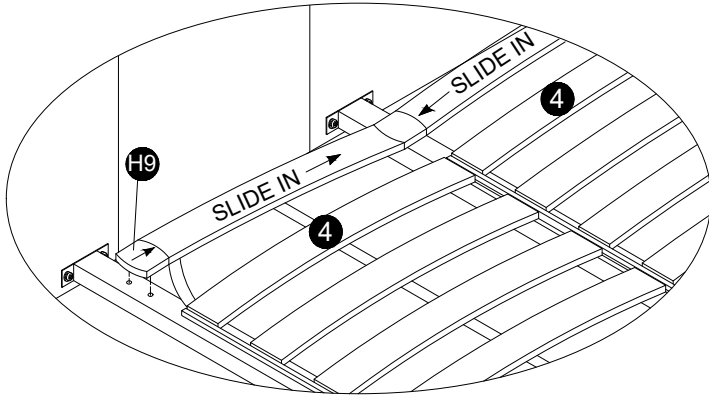
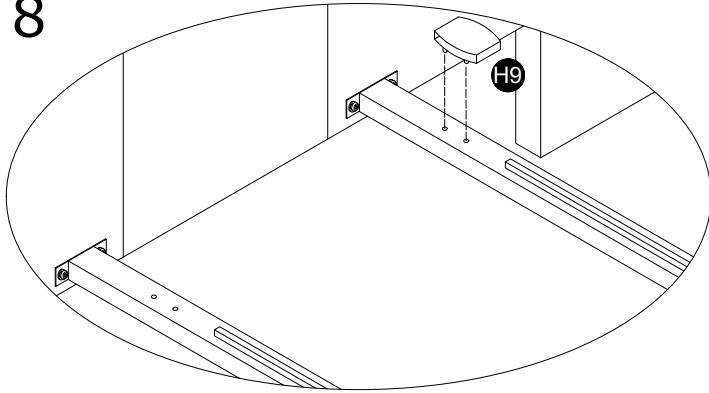


6



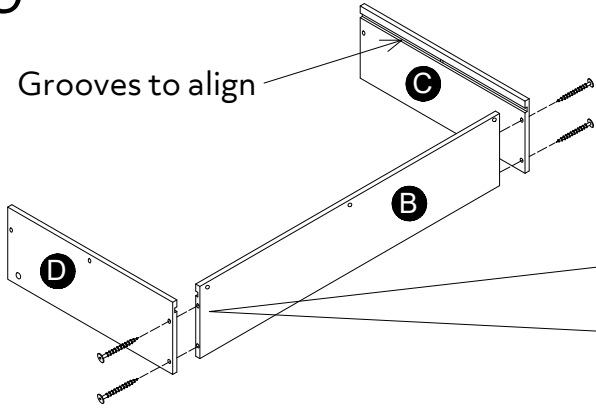


8



9

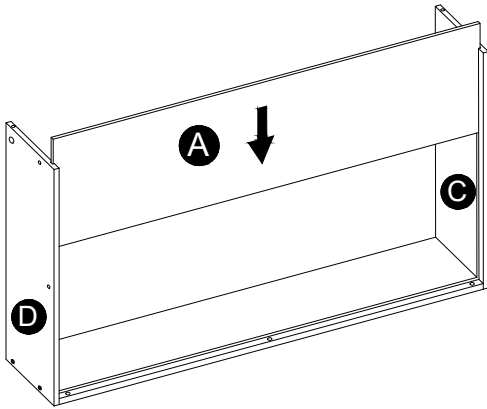
Grooves to align



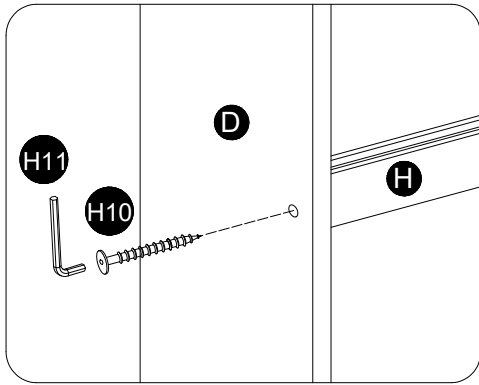
x2

10

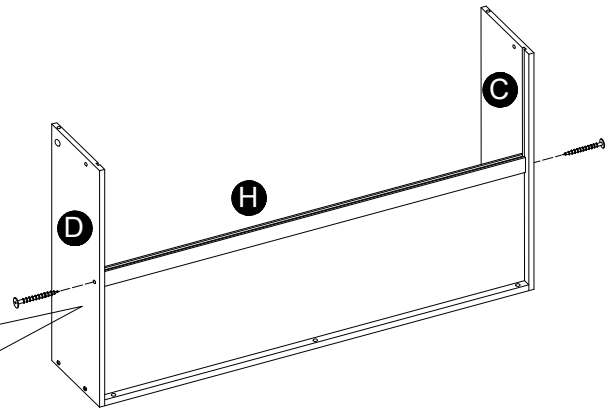
a:



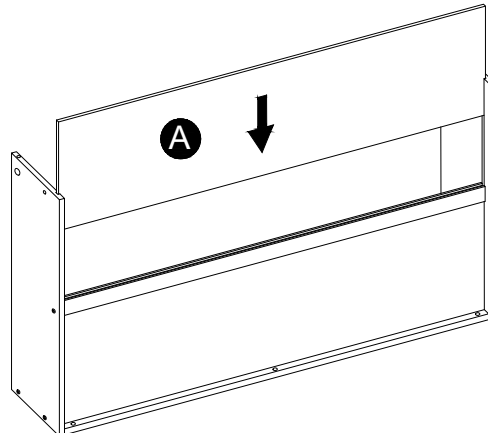
x2



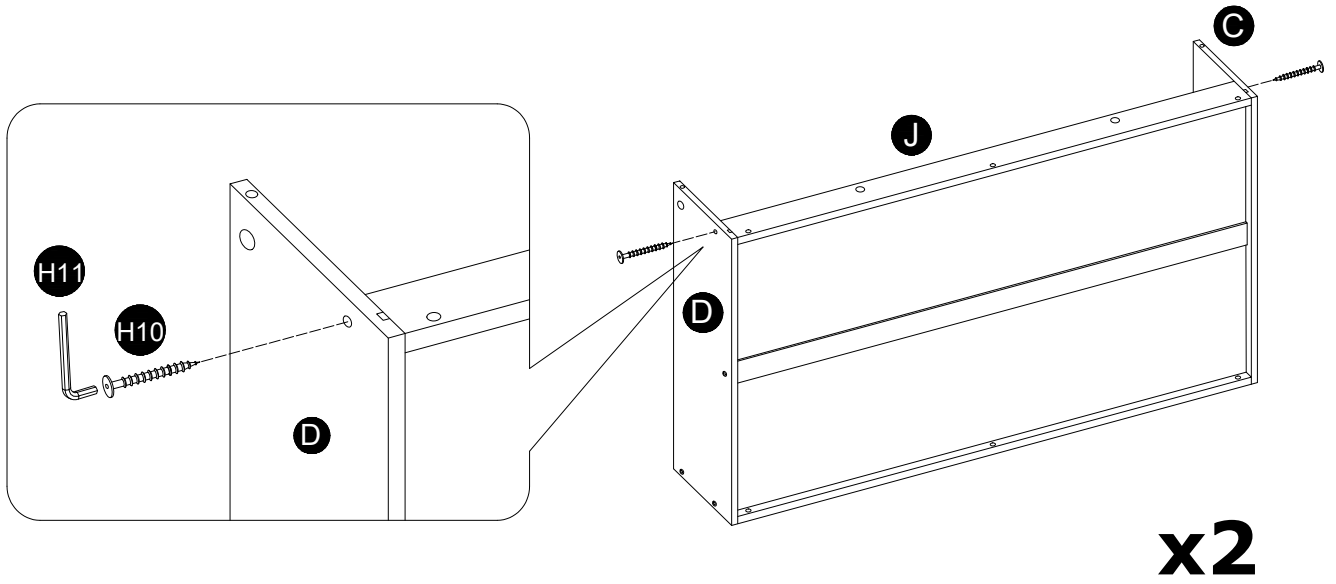
b:



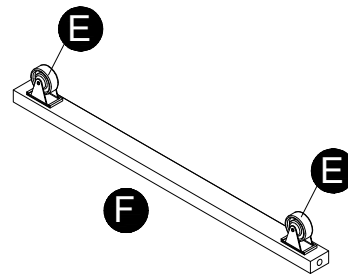
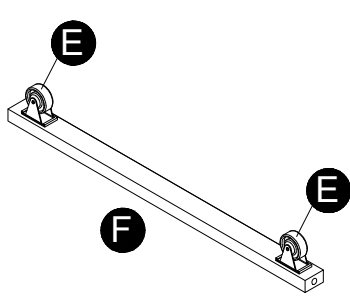
c:



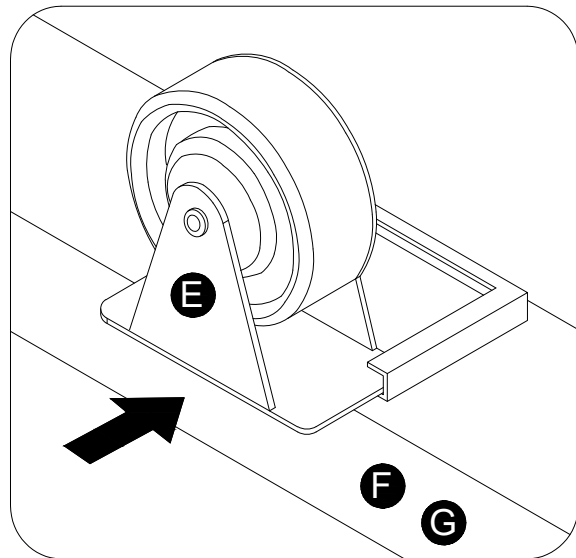
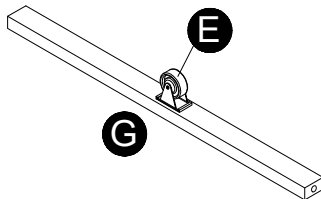
11



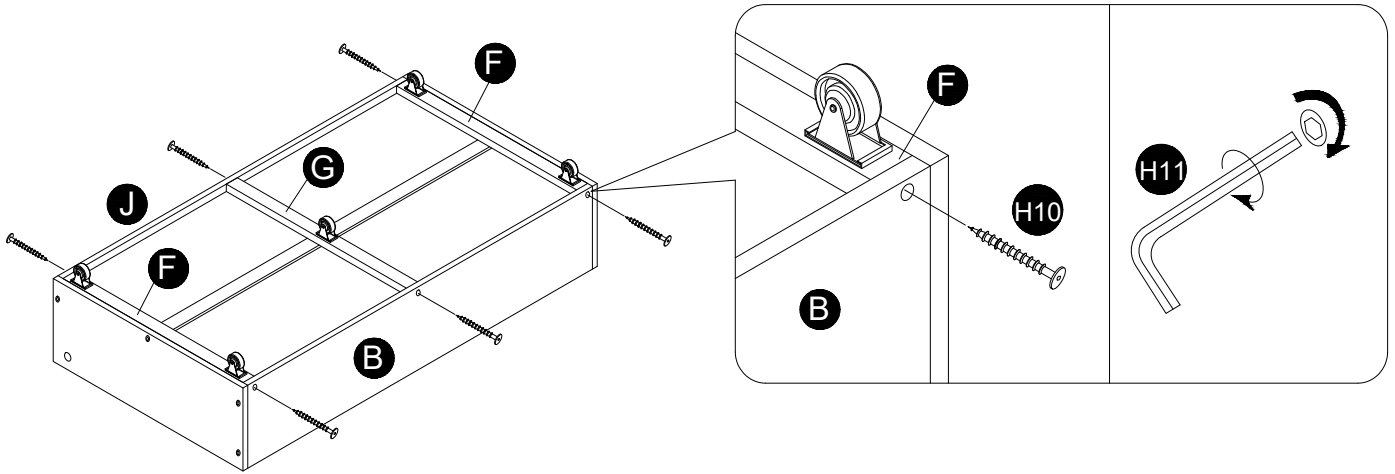
12



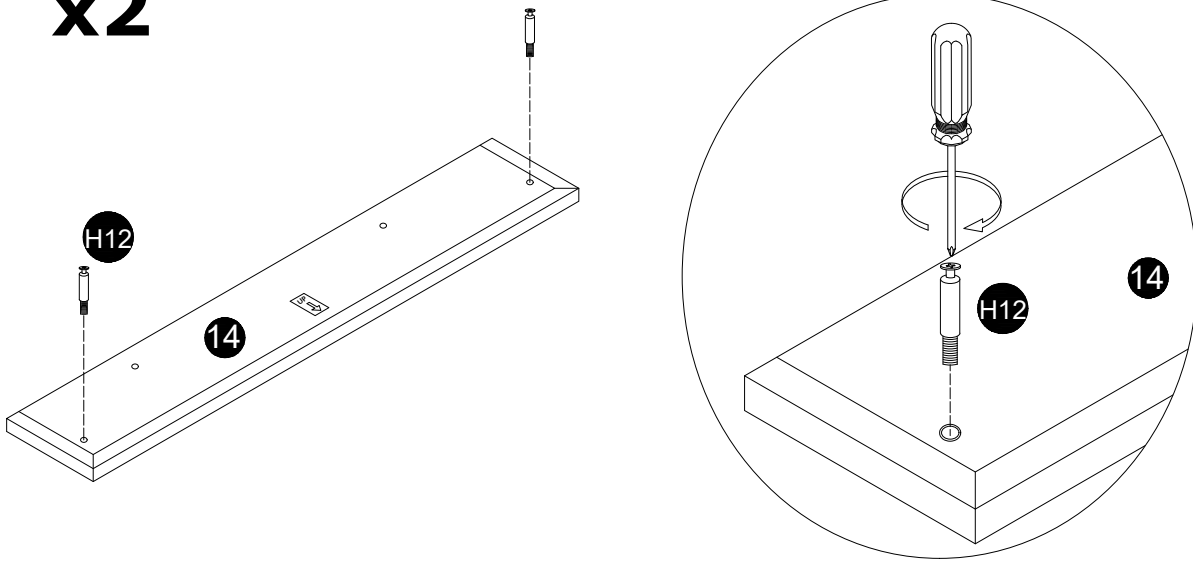
x2



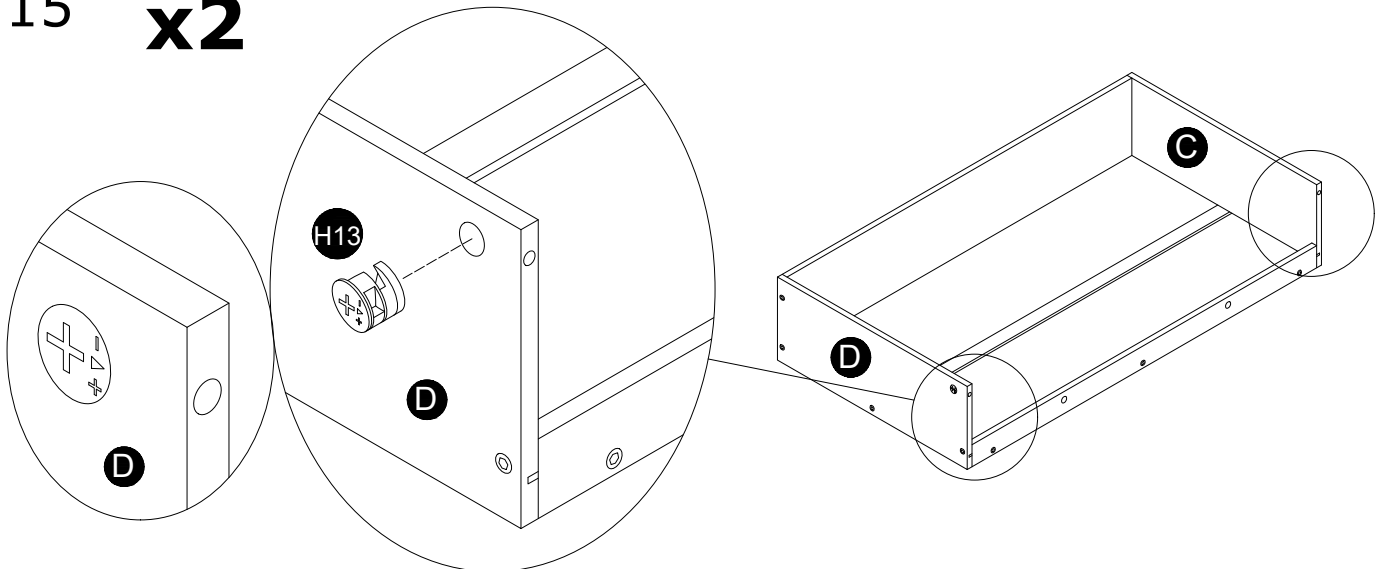
13 **x2**



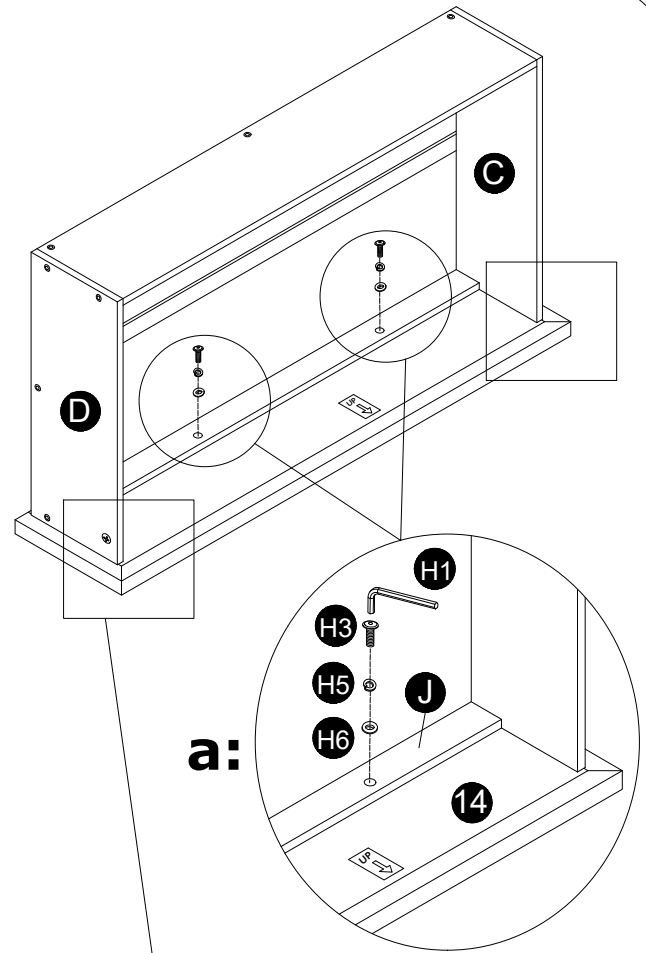
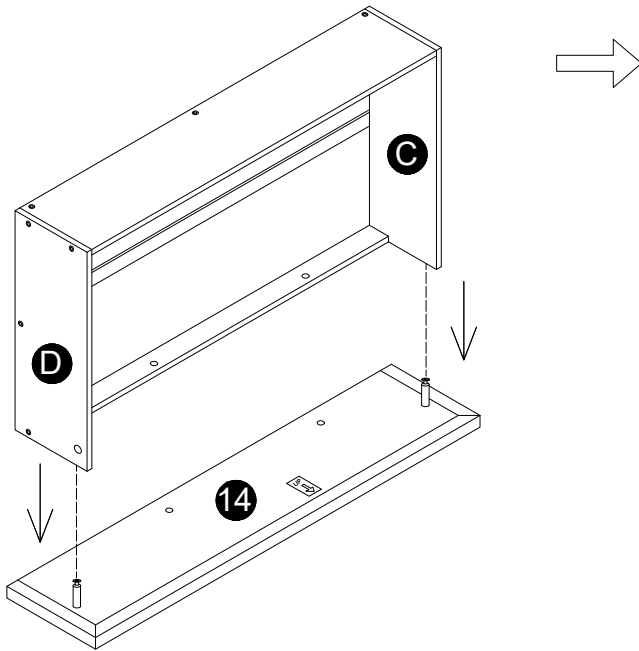
14 **x2**



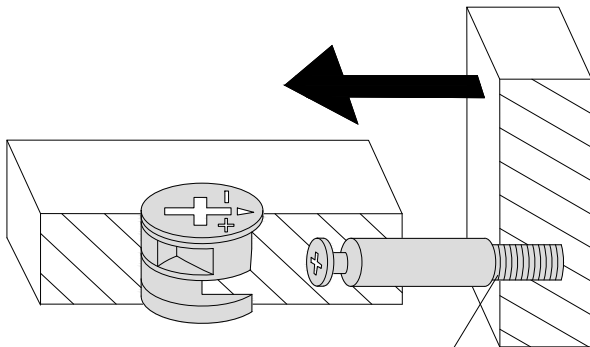
15 **x2**



16 **x2**

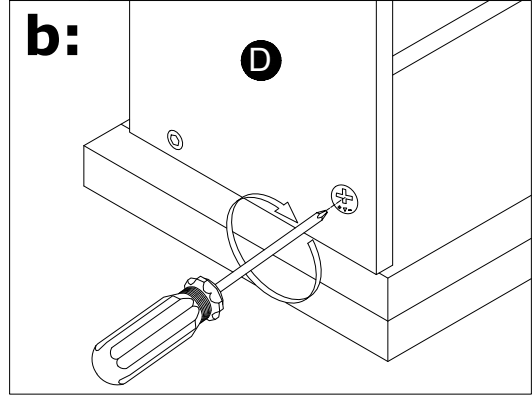
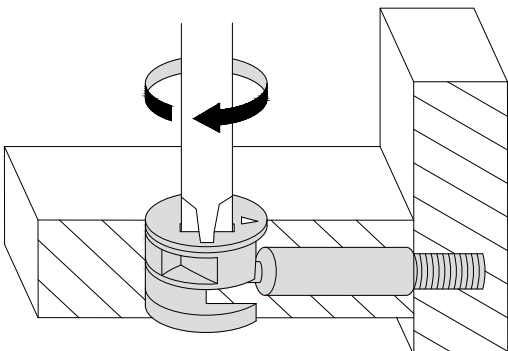


PUSH THE TWO PANELS TOGETHER ALLOWING THE DOWEL TO ALIGN WITH THE HOLE

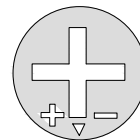


If H12 cannot lock into H13, you can adjust H12 outward by 2mm.

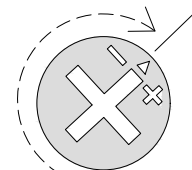
TURN THE CAM IN A CLOCKWISE DIRECTION



**DON'T STOP UNTIL THE 2 O'CLOCK LOCK**  
TURN THE CAM IN A CLOCKWISE DIRECTION UNTIL THE ARROW POINTS IN THE POSITIONS SHOWN IN THE DIAGRAMS BELOW



OPEN



LOCKED

**Job Complete !**

*In the interest of our environment please dispose of all packaging thoughtfully.*