

H3L

QH-266B
QH-266N
QH-266WA
QHB-266BB

TABLE OF CONTENTS

01	Important Safety Instructions	01	Tools Needed
----	-------------------------------	----	--------------

02	Parts List	05	Assembly
----	------------	----	----------

19	Warranty Information		
----	----------------------	--	--

Thank you so much for choosing our product. If you encounter any questions during use, feel free to contact us. We will try our best to solve it.
Customer Service Line: +1-888-292-2399
Customer Service Email: service7770@outlook.com

IMPORTANT SAFETY INSTRUCTIONS

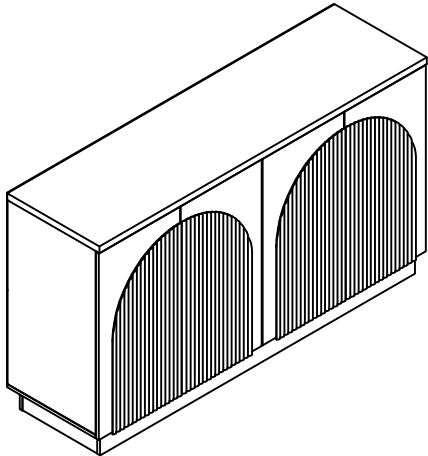
- Check if all the parts are complete before installation.
- Read through the instructions before installing the cabinet.
- Keep the small parts away from children to avoid the risk of swallowing.

TOOLS NEEDED

Screws Driver -1PC



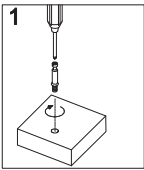
(Not included)



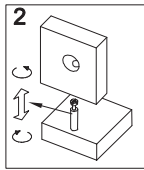
General Assembly Guidelines

- I. Ensure that all parts and hardware are available before beginning assembly.
- II. Follow each step carefully to ensure the proper assembly of this product.
- III. The three main types of hardware used to assemble this product are: wood dowels, screws and bolts.
- IV. A Phillips head screwdriver is required for the assembly of this product.

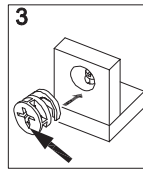
V. Cam bolt and Cam lock Assembly instruction.



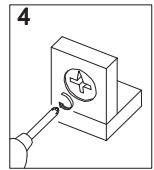
1
Cam bolt
vertical installation



2
Cam bolt is
adjustable

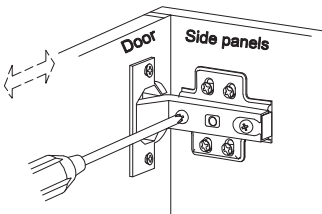


3
Cam lock
the arrow is towards
the Cam bolt

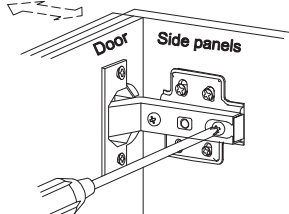


4
180°
Ensure locking
the Cam bolt

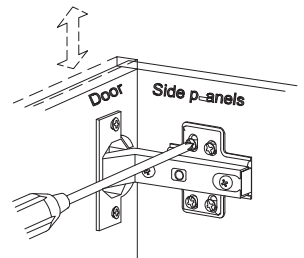
VI. Concealed hinges are three-way adjustable.



Horizontal
by screw adjustment

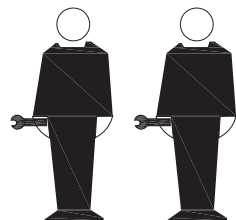


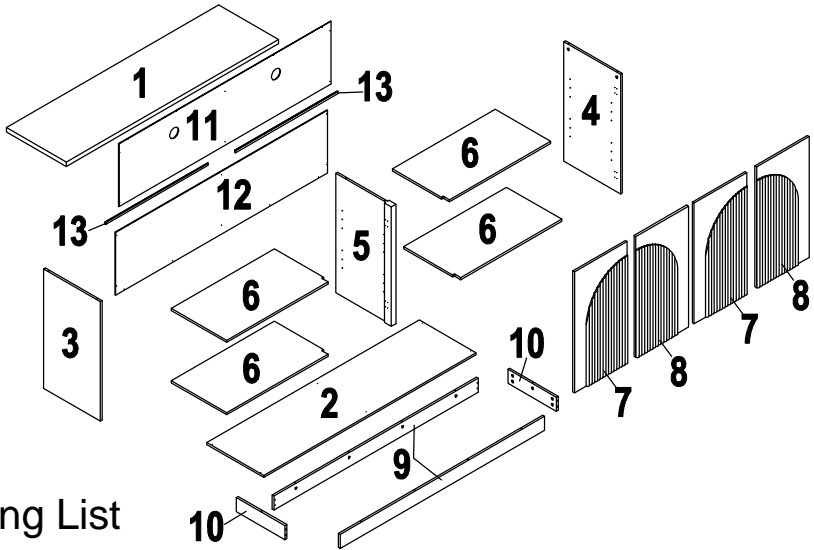
In-and-Out
by loosening the hinge-arm
mounting screw or via cam
adjustment



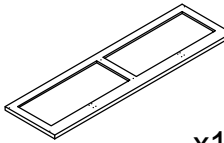
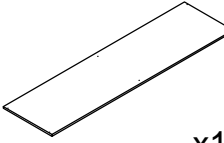
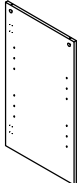

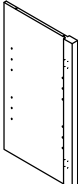
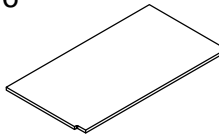
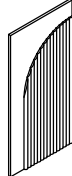
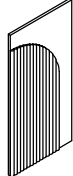
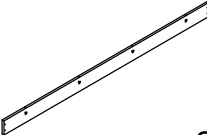
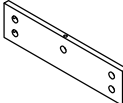
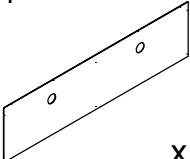
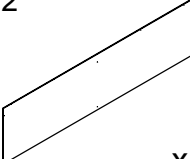
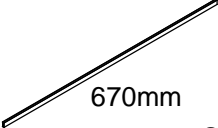
Vertical
Via slots in the mounting
plate or via cam adjustment

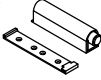
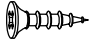
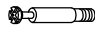



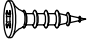




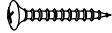

VII. Two people are recommended for ease in the assembly of this product.



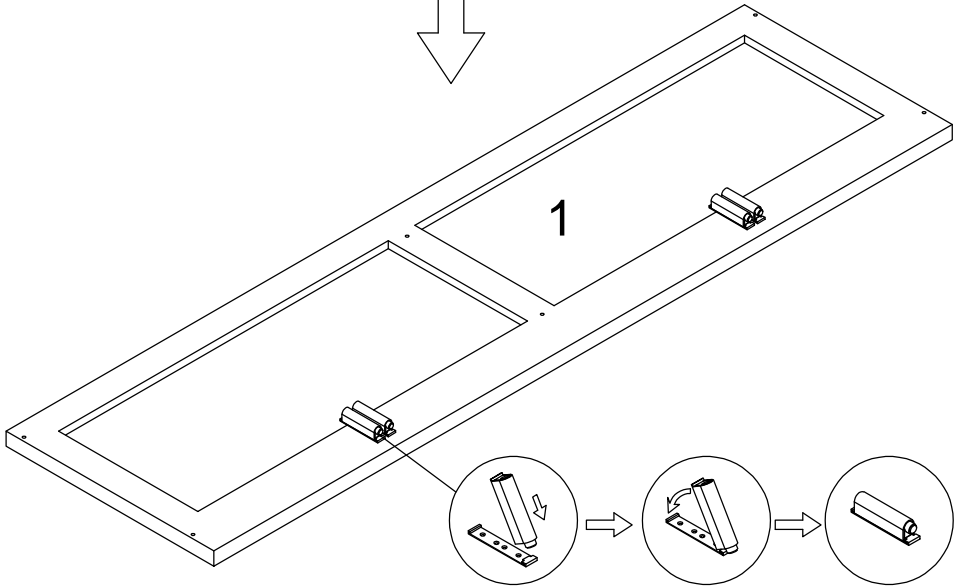
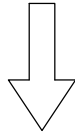
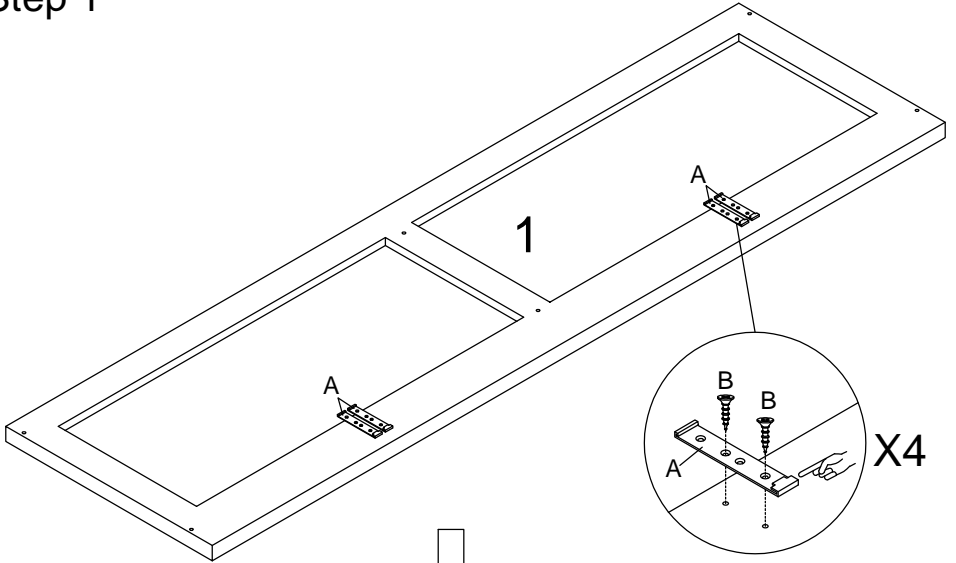


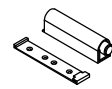
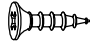
Packing List

<p>1</p>  <p>x1</p>	<p>2</p>  <p>x1</p>	<p>3</p>  <p>x1</p>	<p>4</p>  <p>x1</p>
<p>5</p>  <p>x1</p>	<p>6</p>  <p>x4</p>	<p>7</p>  <p>x2</p>	<p>8</p>  <p>x2</p>
<p>9</p>  <p>x2</p>	<p>10</p>  <p>x2</p>	<p>11</p>  <p>x1</p>	<p>12</p>  <p>x1</p>
<p>13</p>  <p>670mm x2</p>			

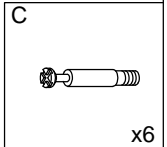
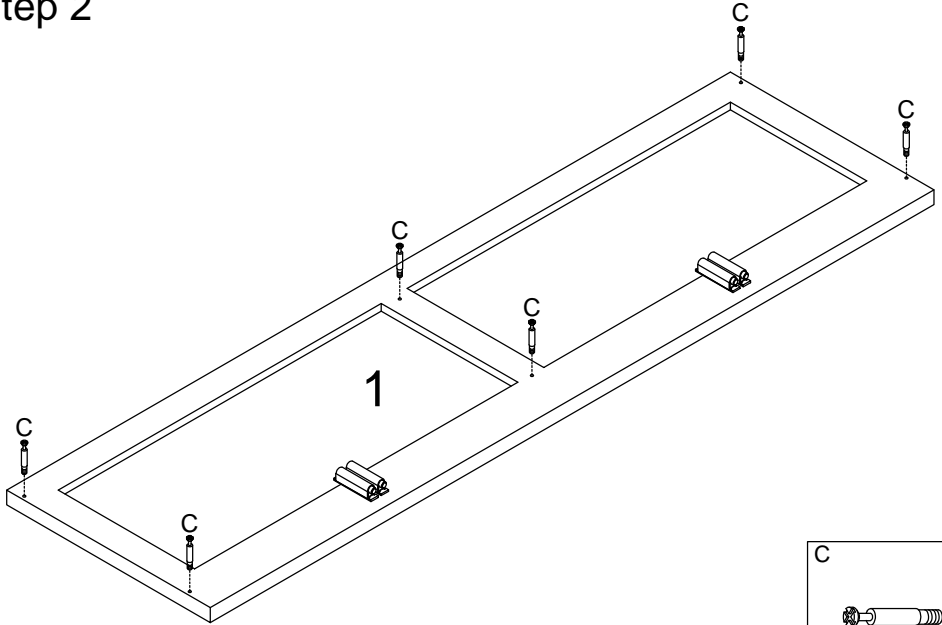
A  x4	B M3x14  x10	C  x24	D  x24	E  x16	F M5x40  x6
G M3.5x12  x72	H  x4	I  x6	J  x8	K  x2	L M4x40  x2
M  x2					

Step 1

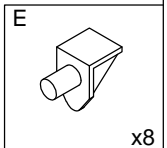
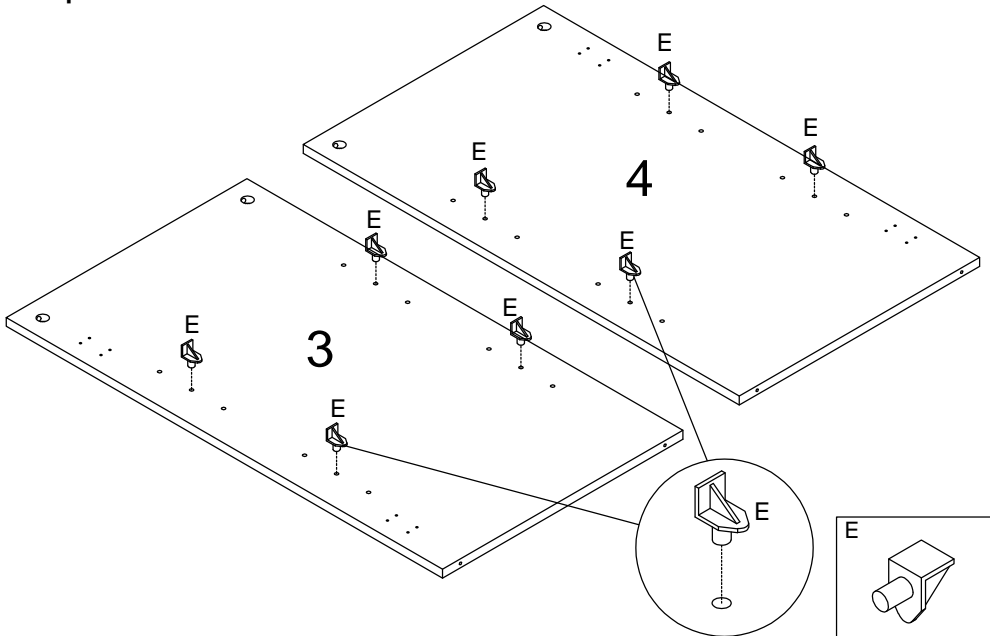


A  x4	B M3x14  x8
--	---

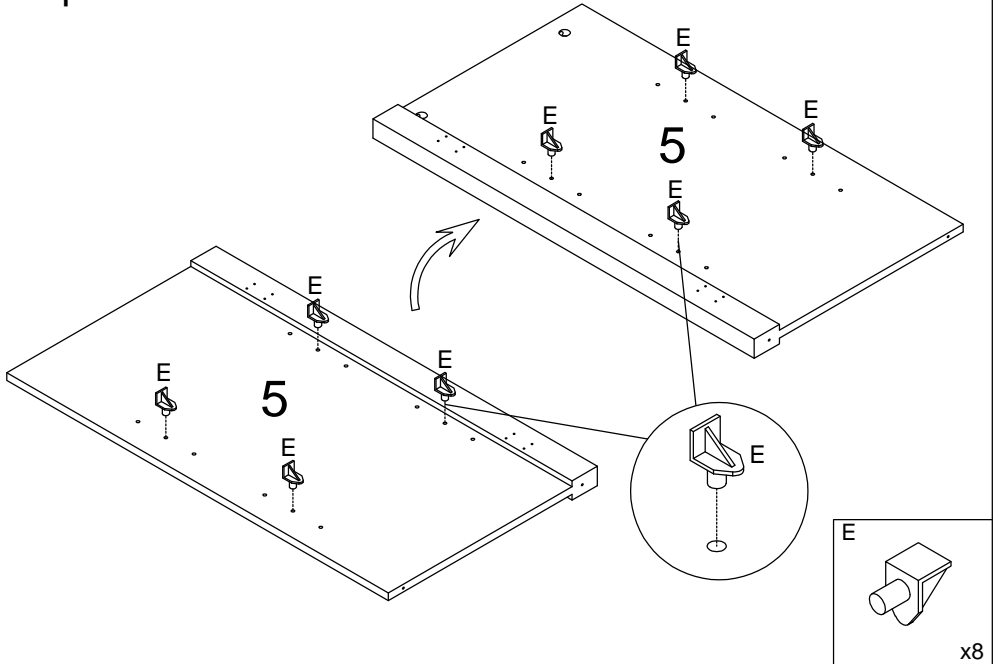
Step 2



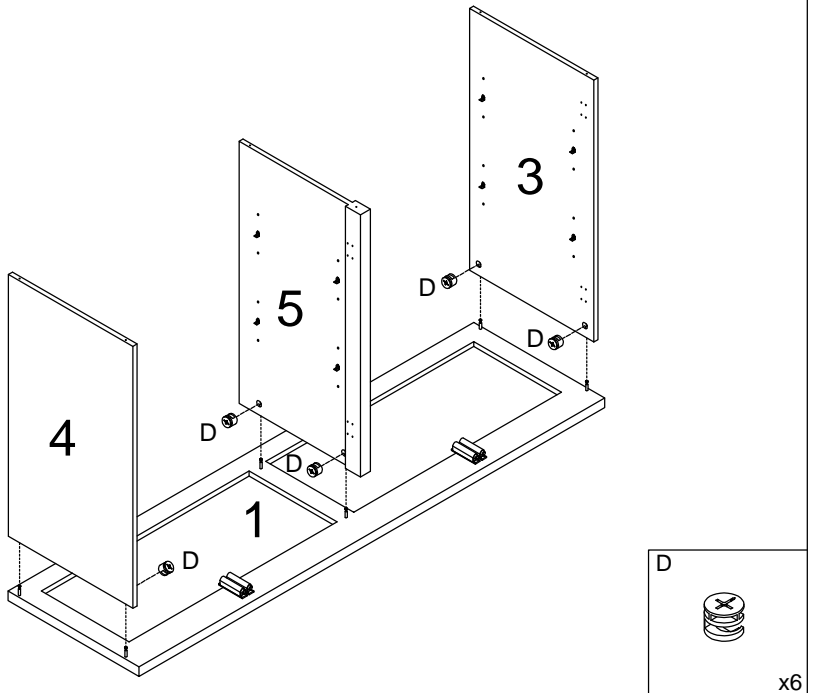
Step 3



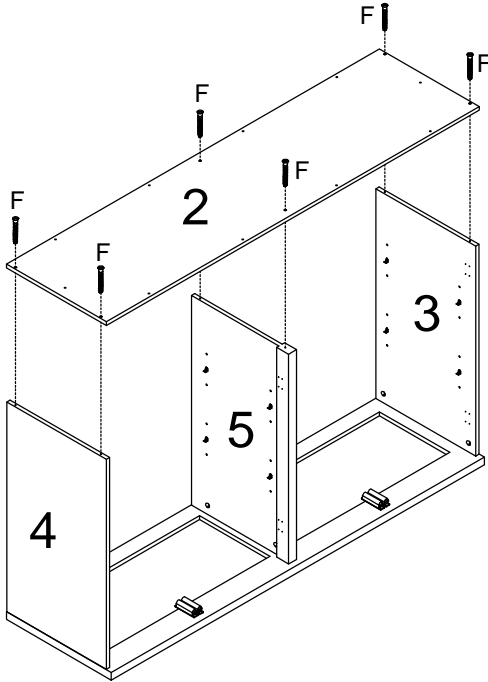
Step 4



Step 5



Step 6

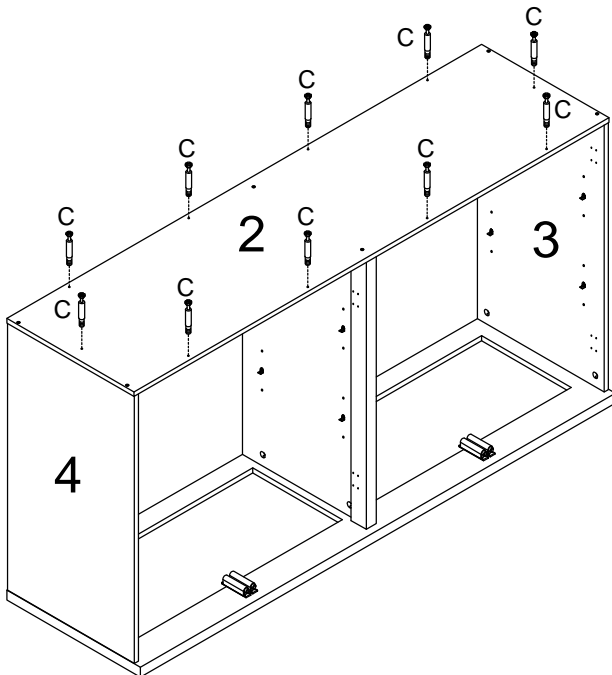


F M5x40

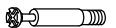


x6

Step 7



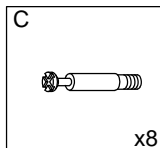
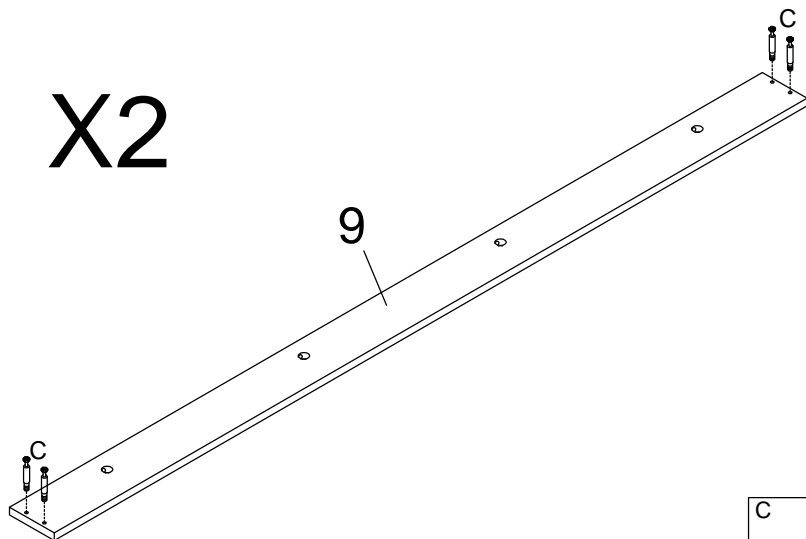
C



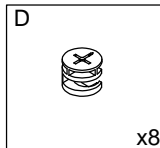
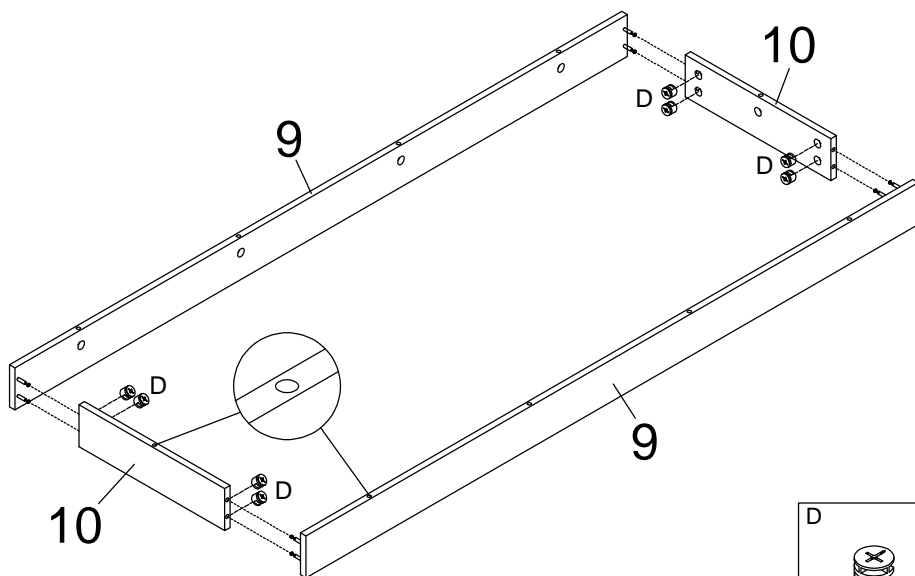
x10

Step 8

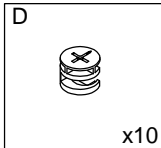
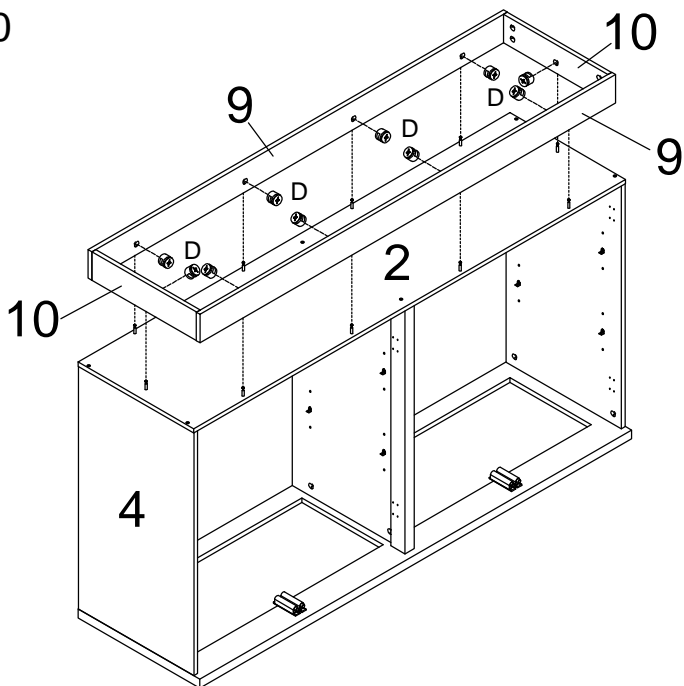
X2



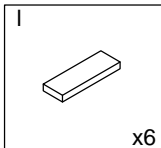
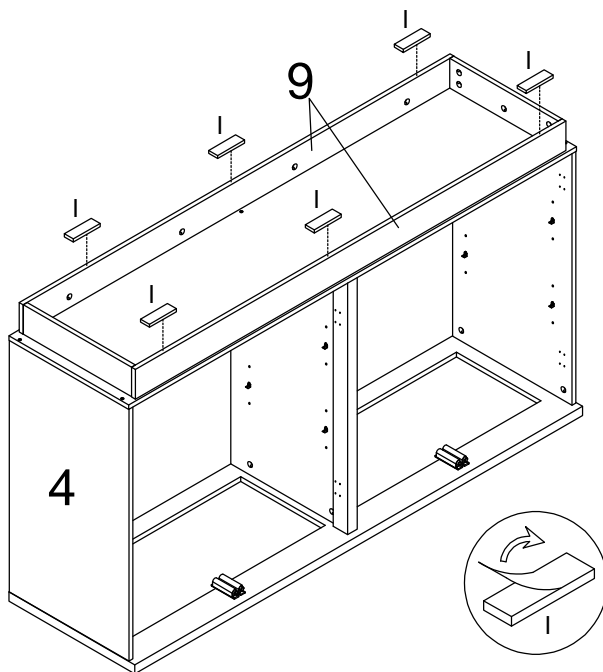
Step 9



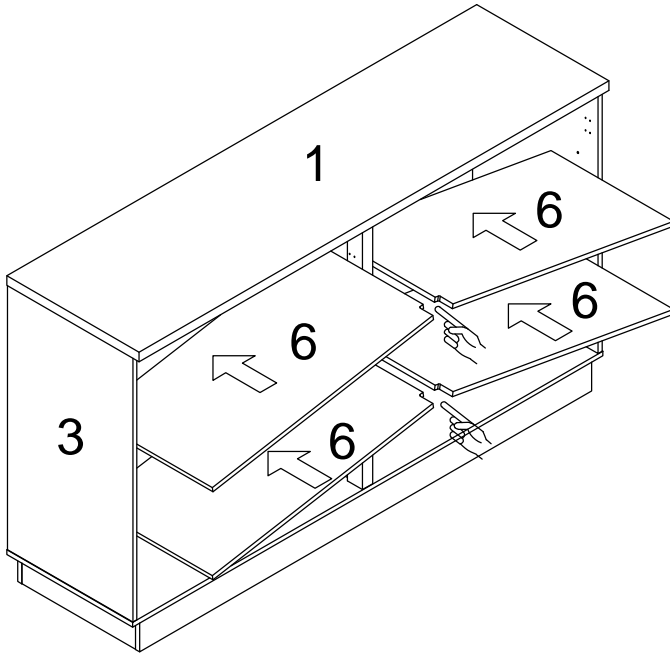
Step 10



Step 11

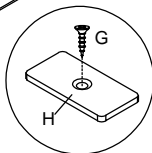
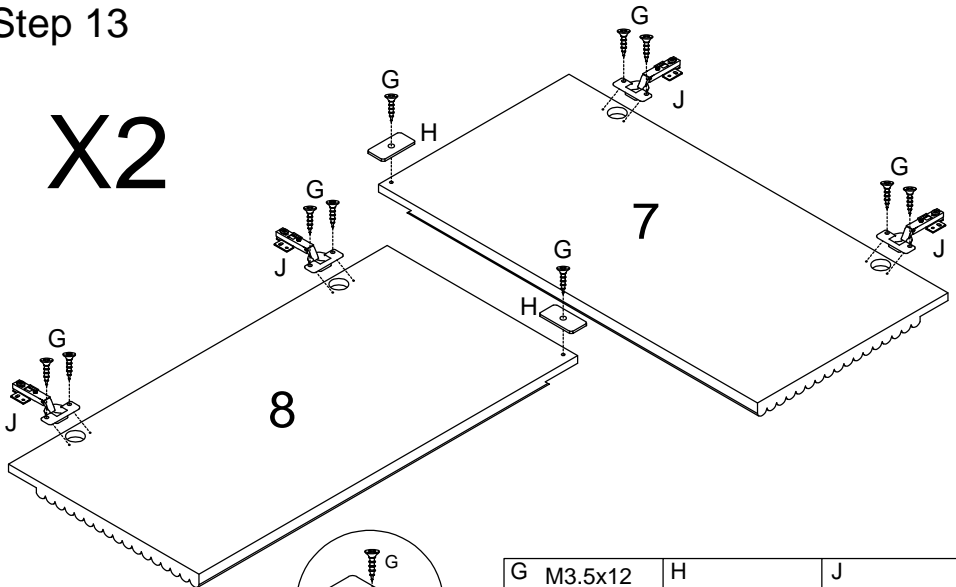


Step 12

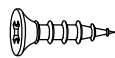


Step 13

X2

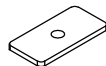


G M3.5x12



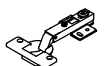
x20

H



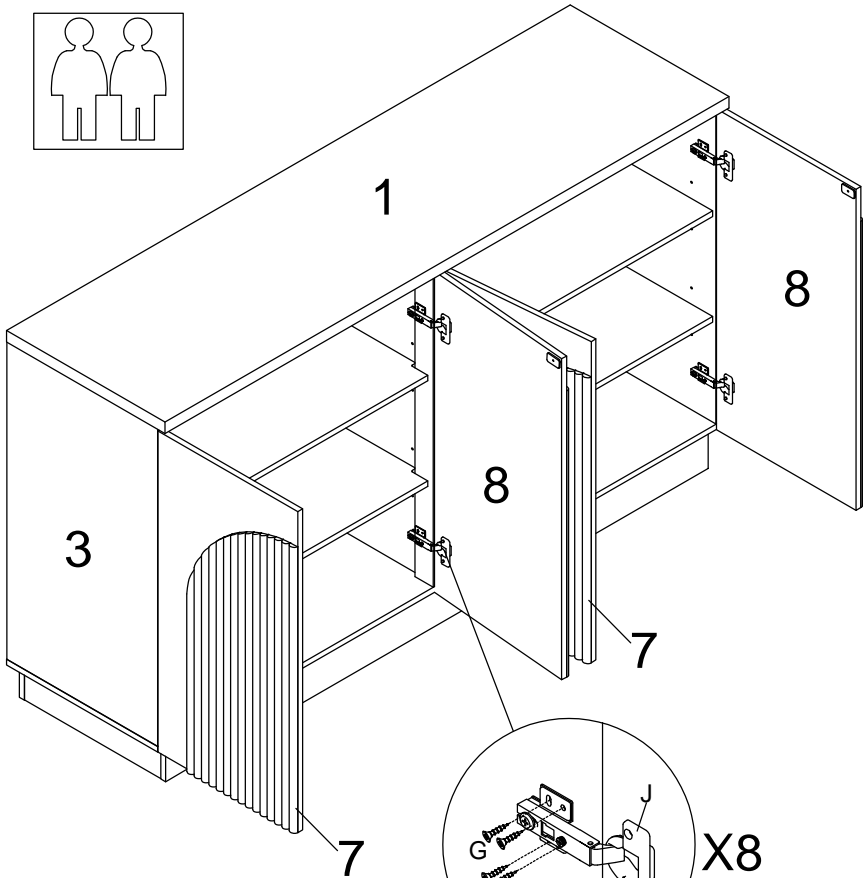
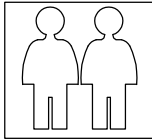
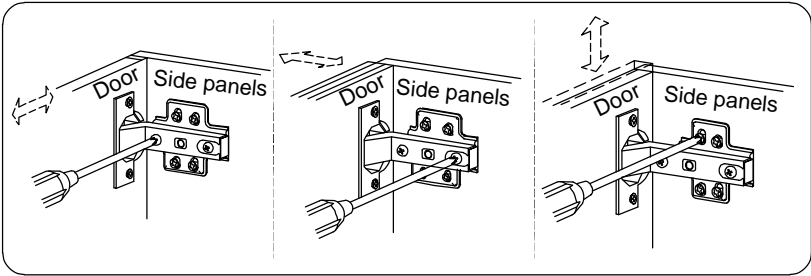
x4

J

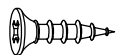


x8

Step 14

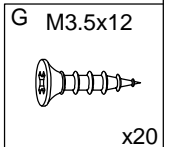
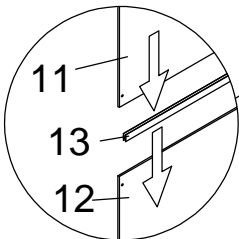
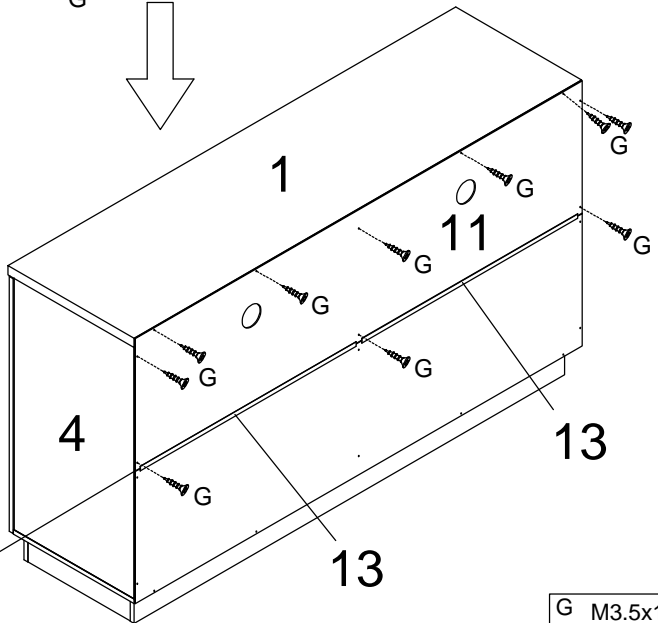
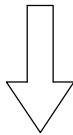
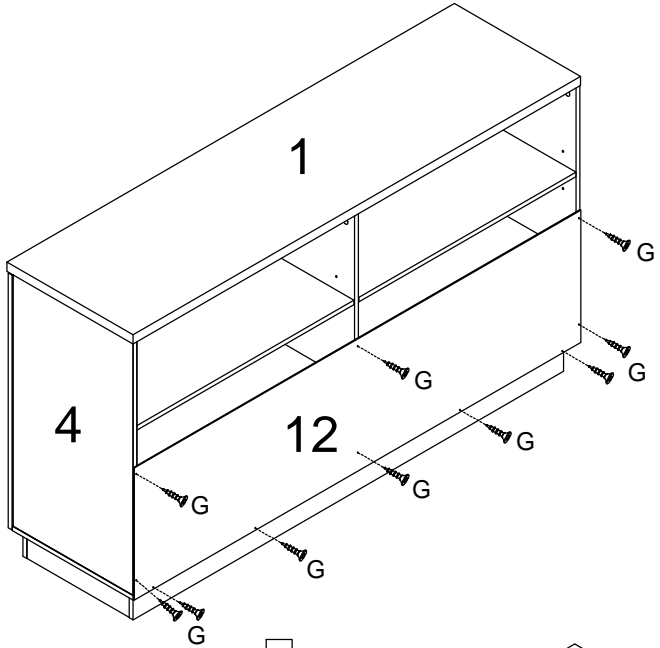


G M3.5x12

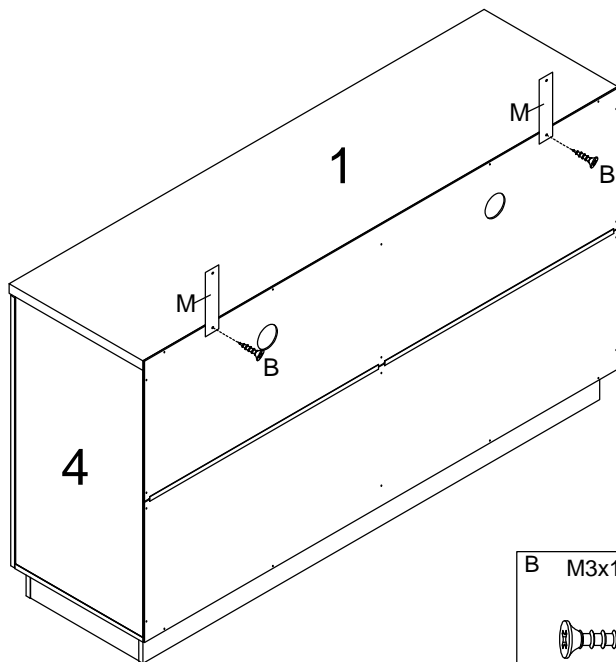


x32

Step 15



Step 16



B M3x14



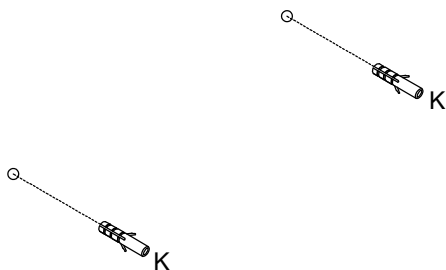
x2

M



x2

Step 17

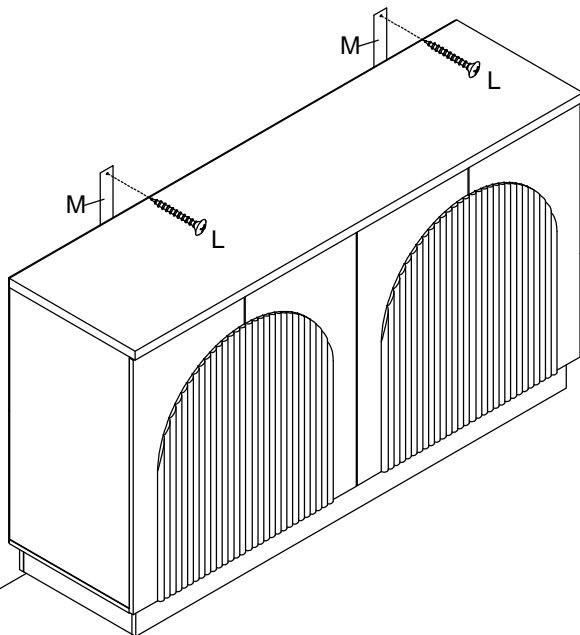


K

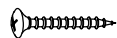


x2

Step 18

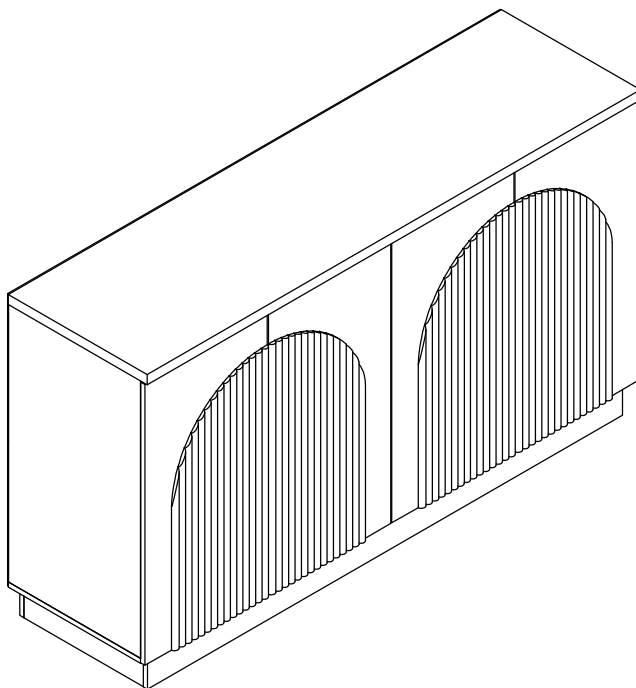


L M4x40

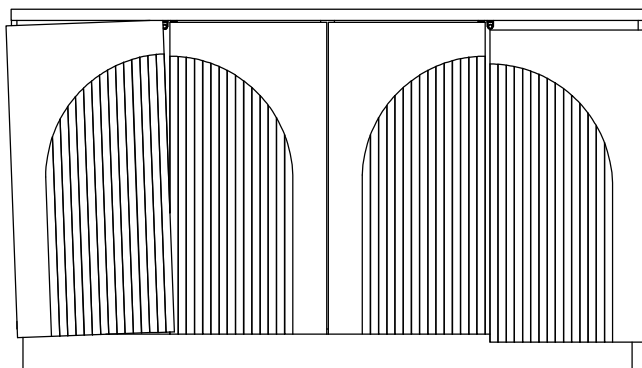


x2

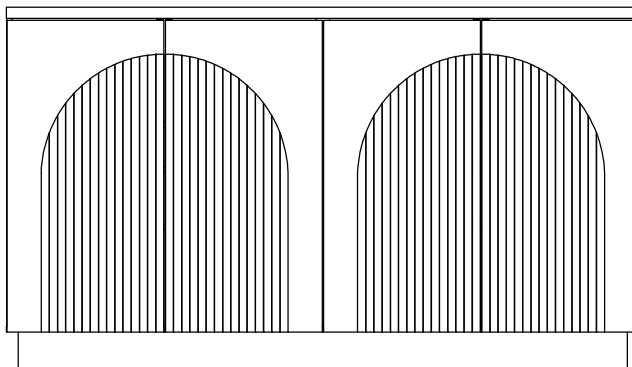
Finish !!!



Before



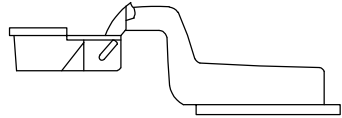
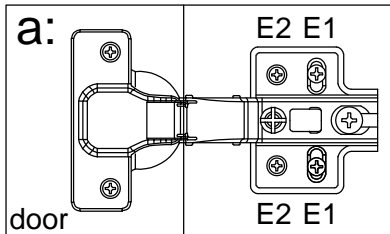
After



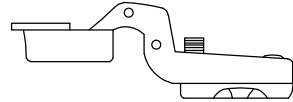
Installation tips: If the height of the door is inconsistent after installation, please Hinge adjustment.

Hinge adjustment

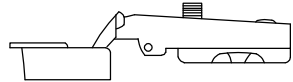
To facilitate the adjustment, install the E1 screw first, and then install the E2 screw.



Great bend



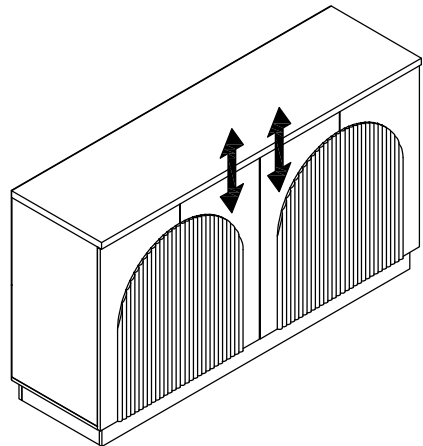
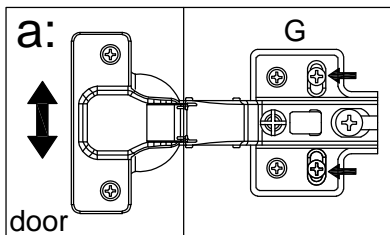
Middle curve



Straight arm

Hinge adjustment

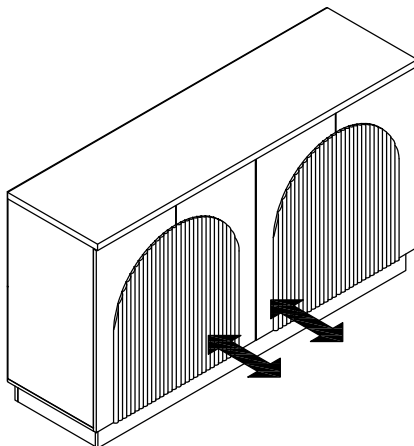
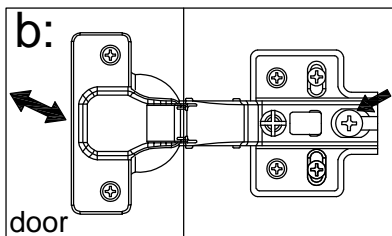
a: To move doors up or down: loosen screws shown and move doors to suit. Once doors are aligned, re-tighten Screws G.



Hinge adjustment

b: To move doors in or out: loosen screw shown and move doors to suit.

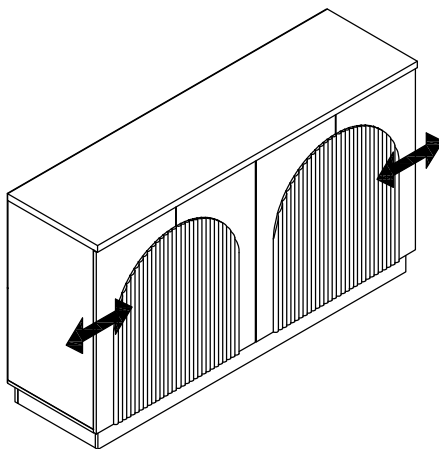
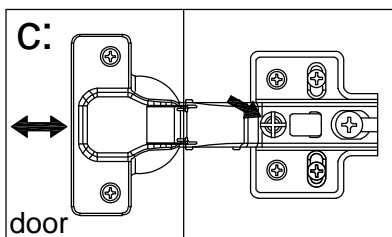
Re-tighten screws



Hinge adjustment

c: To move doors left or right: loosen screw shown and move doors to suit.

Re-tighten screws



WARRANTY INFORMATION

- Do not expose the surfaces to direct sunlight or to extreme environmental conditions.
- Clean the surfaces preferable with a clean damp cloth, then dry with a clean towel.
- Do not use solvents or abrasive materials to clean the unit. If you decide to use a cleaning agent, test first on an area hidden from view.
- Replacement parts might be available to you at no charge, with an original proof of purchase and where a defect has arisen, wholly or substantially, as a result of faulty manufacturing, parts or workmanship during the Warranty Period.
- The warranty does not extend to regular wear and tear, nor the manufacturer assumes liability for damages or consequences due to accidents, incorrect assembly, negligence, improper use, modifications, or not heeding the above warnings.
- Thank you so much for your support! We hope you enjoy your purchase. If there is any damage or missing accessories, please feel free to contact us for free replacement or refund. You can quickly find us through
Customer Service Line: **+1-888-292-2399** .
Customer Service Email: **service7770@outlook.com** .
with your order number, we will try our best to solve this problem for you

Thank you !

