

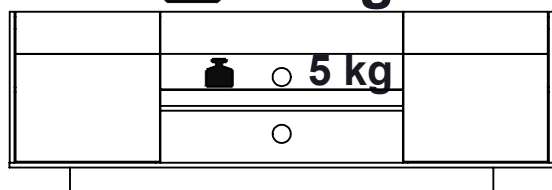
HAOPSA TV STAND

31-05-2024

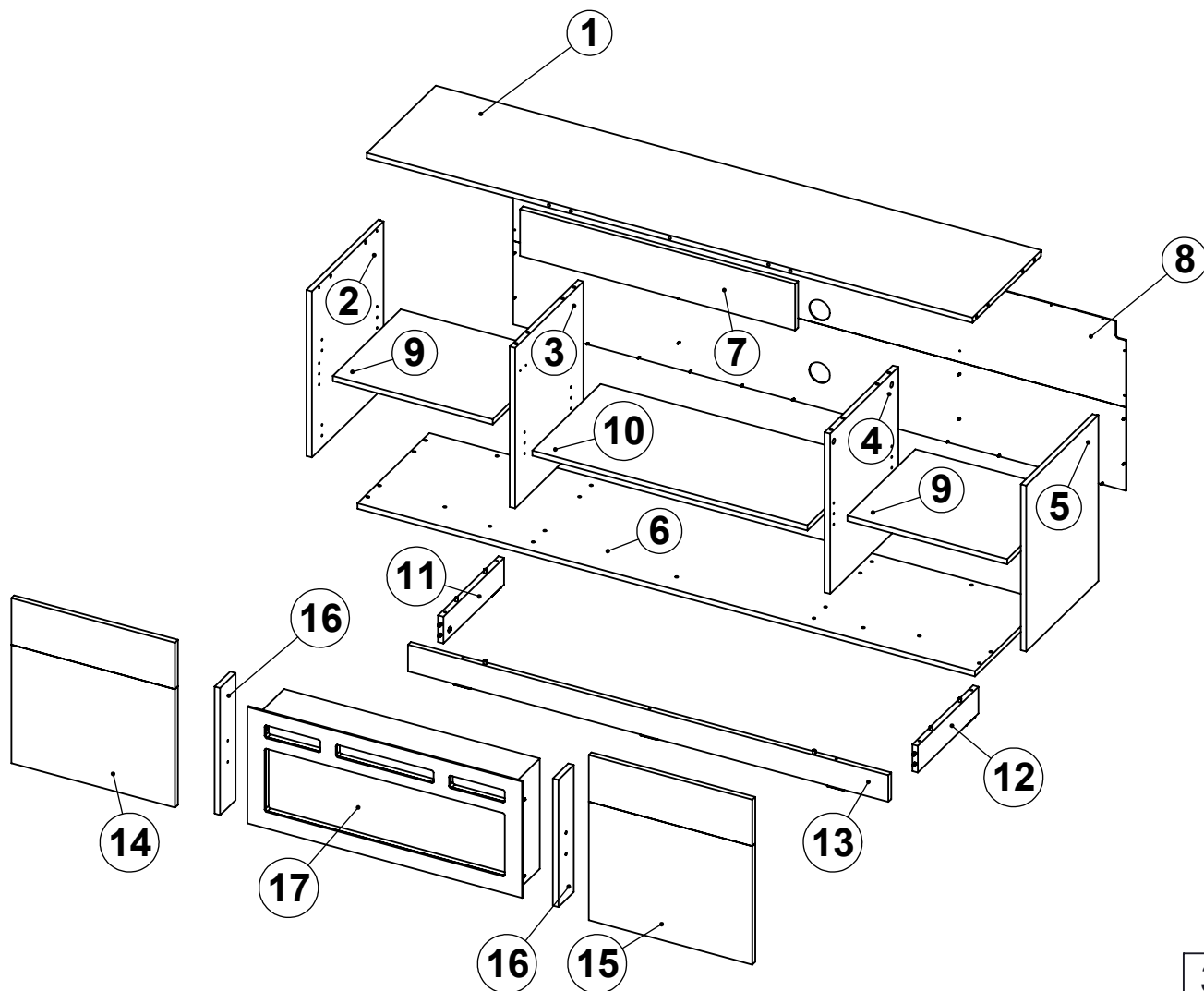
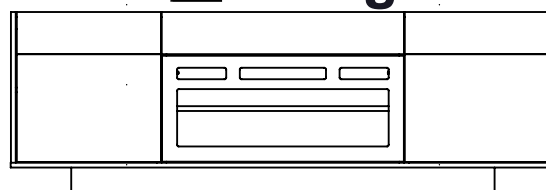
VARIANT-1 (WITHOUT FIREPLACE)

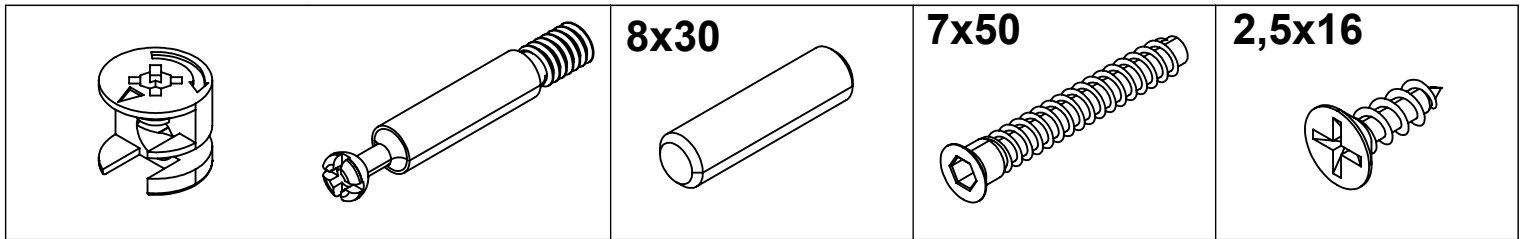
VARIANT-2 (WITH FIREPLACE) (OPTIONAL - FIREPLACE TO PURCHASE SEPARATELY)

 15 kg

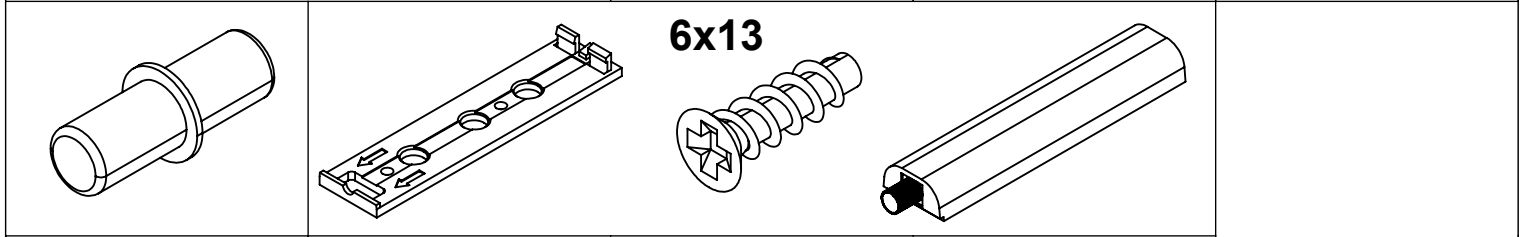


 15 kg

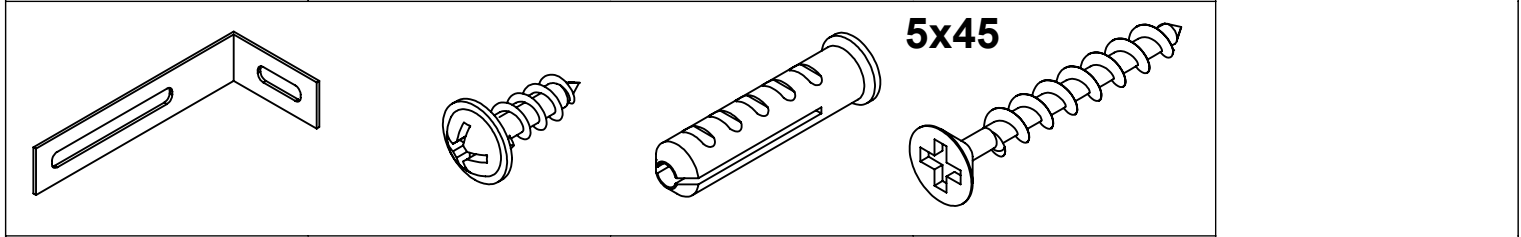




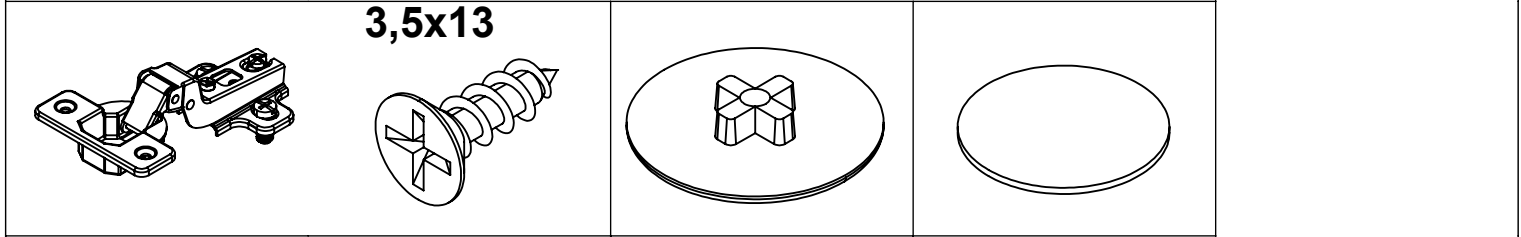
A x 13	B x 13	C x 26	D x 15	E x 40
---------------	---------------	---------------	---------------	---------------



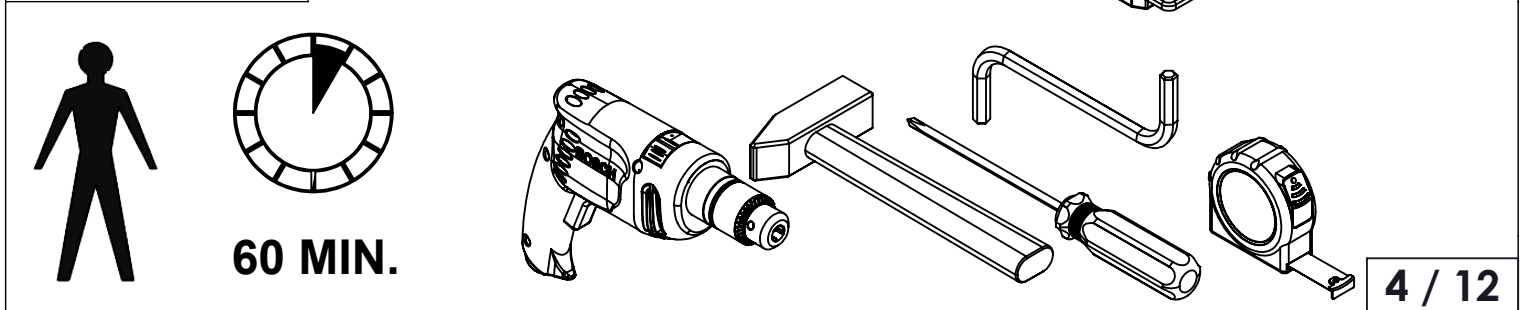
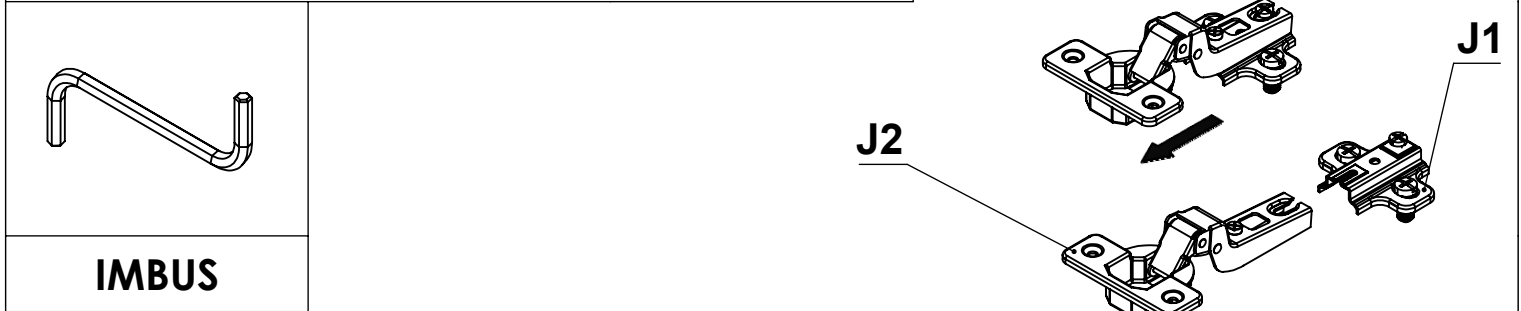
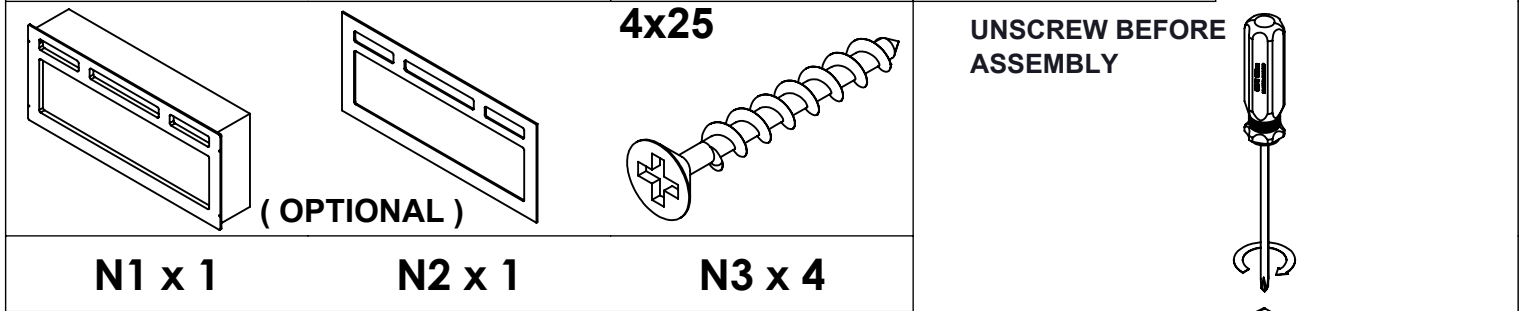
F x 12	H1 x 2	H2 x 4	H3 x 2
---------------	---------------	---------------	---------------




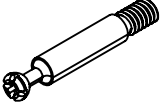
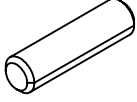
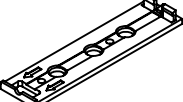
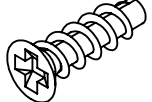
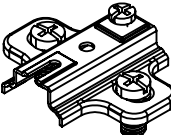
I1 x 4	I2 x 8	I3 x 2	I4 x 2
---------------	---------------	---------------	---------------

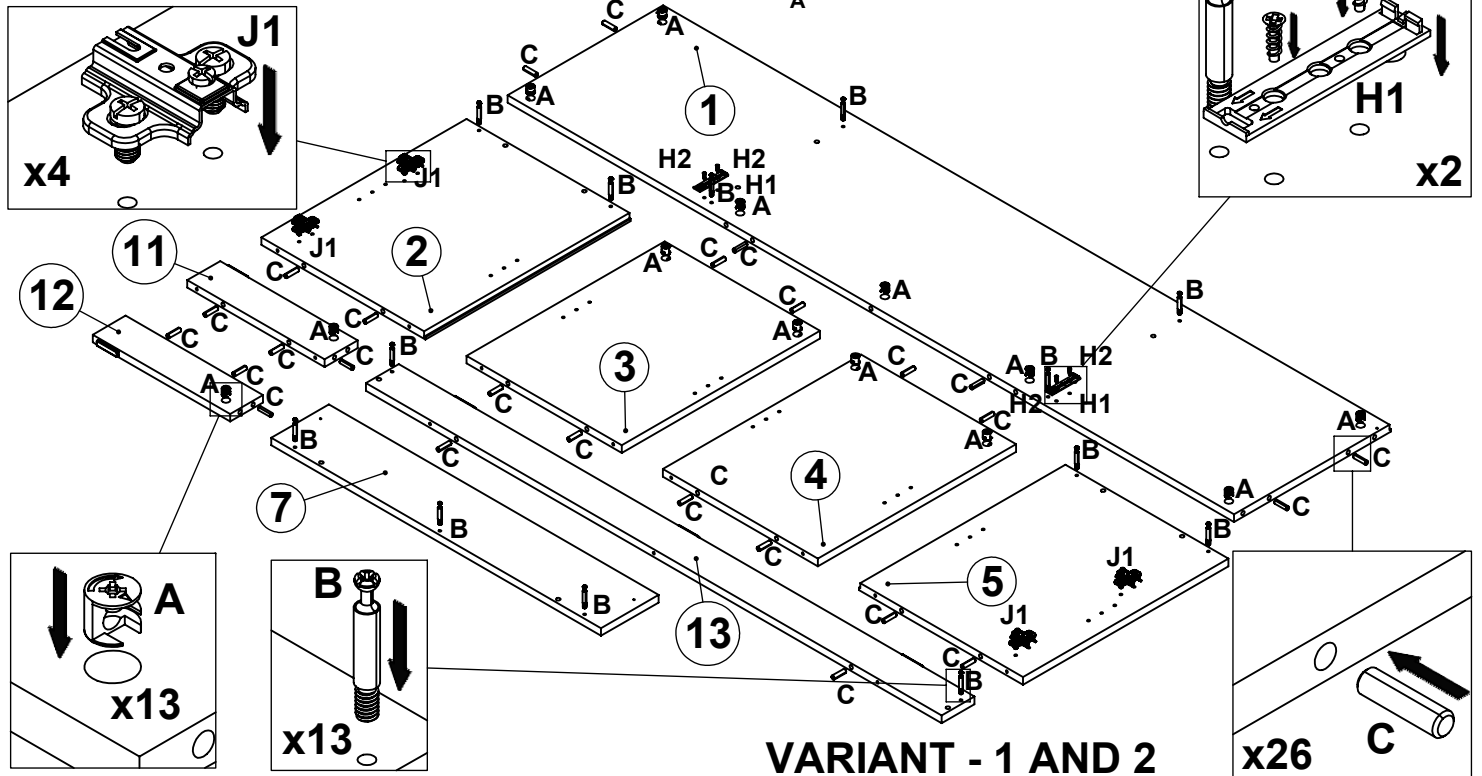
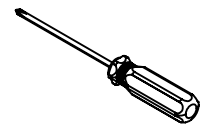


J1/J2 x 4	K x 8	L x 8	M x 7
------------------	--------------	--------------	--------------

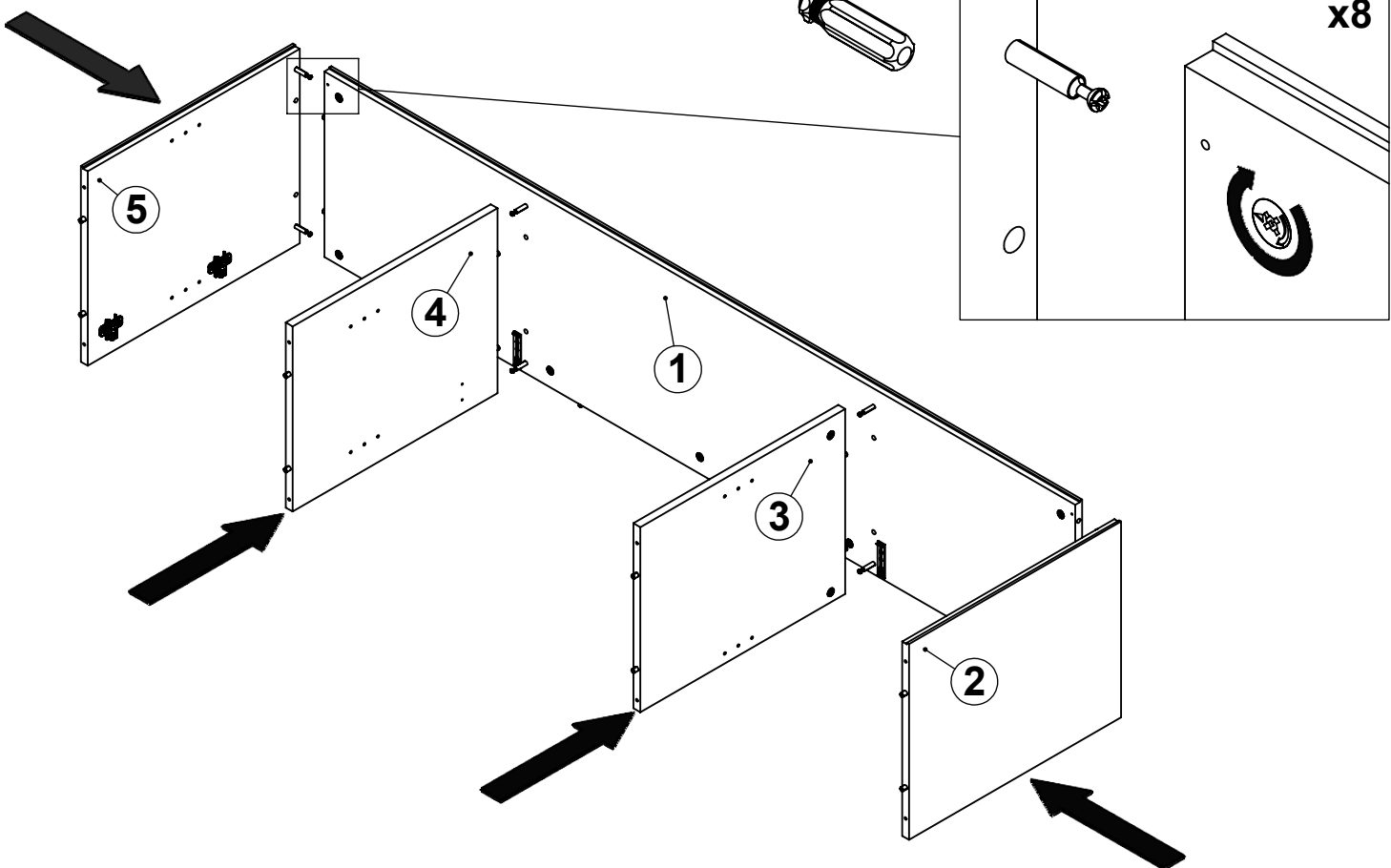
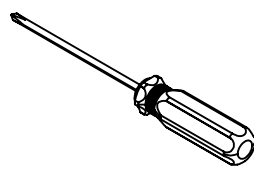


STEP - 1

					
Ax13	Bx13	Cx26	H1x2	H2x4	J1x4

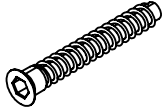


STEP - 2



STEP - 3

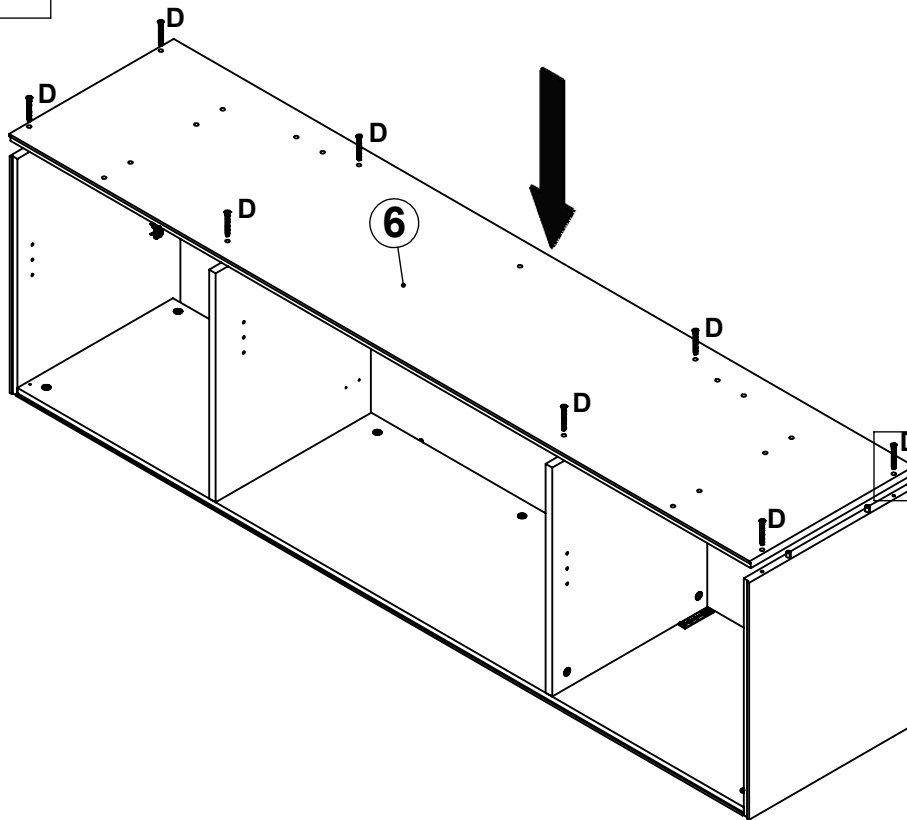
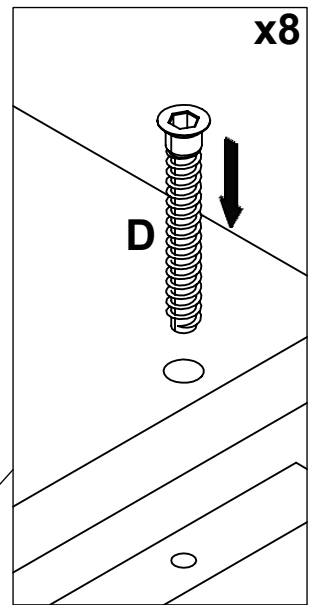
7x50



Dx8



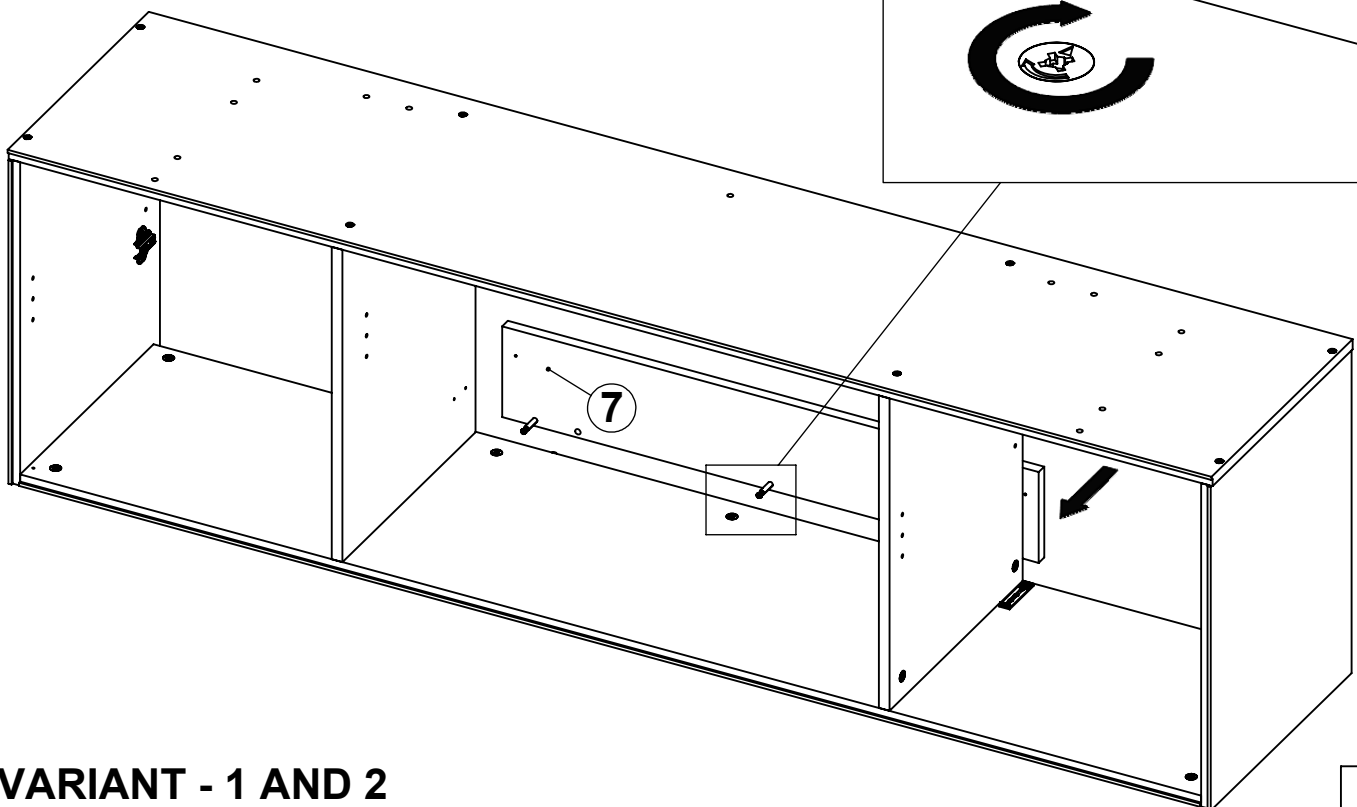
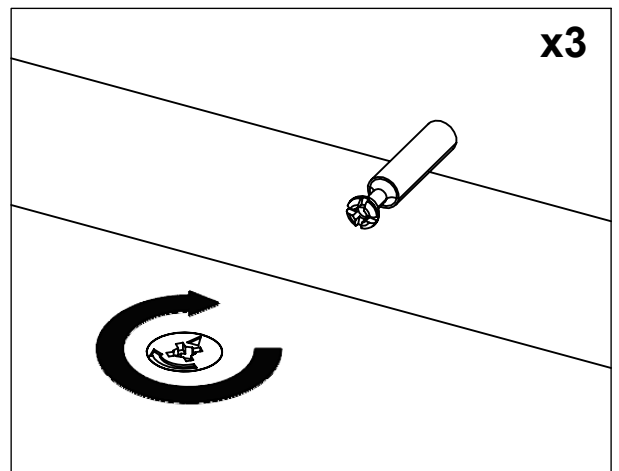
x8



VARIANT - 1 AND 2

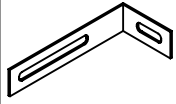
STEP - 4

x3

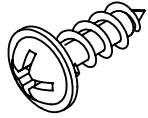


VARIANT - 1 AND 2

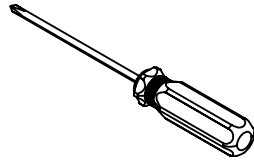
STEP - 5



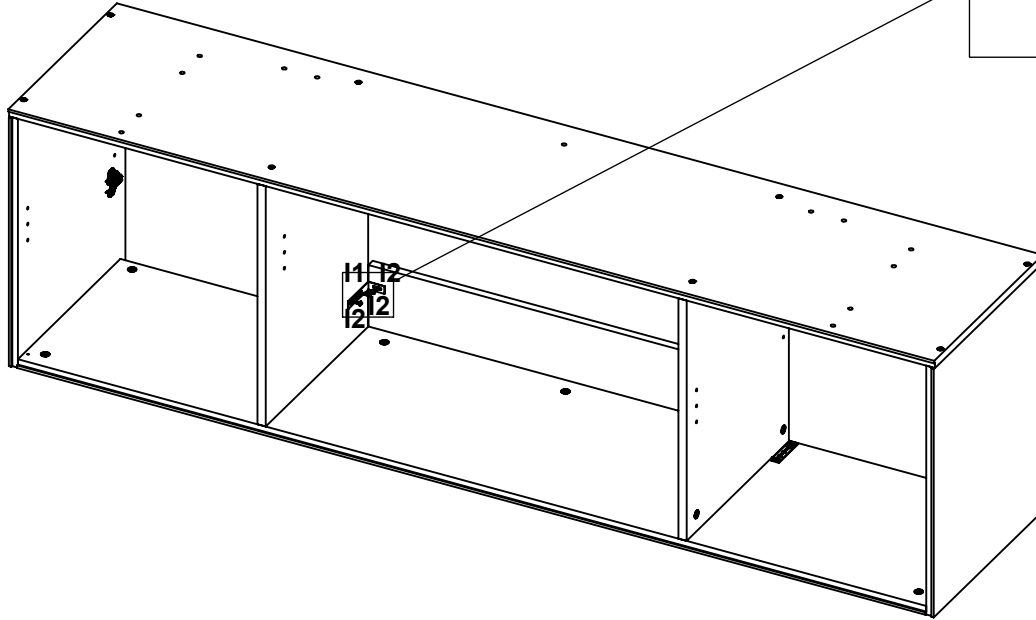
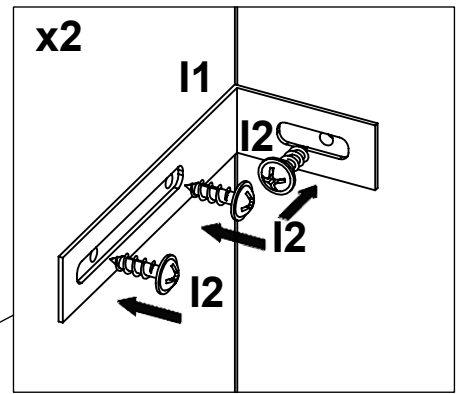
11x2



12x6

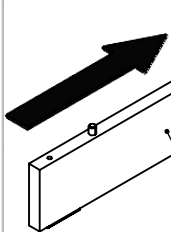
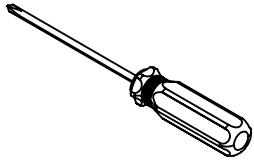


x2

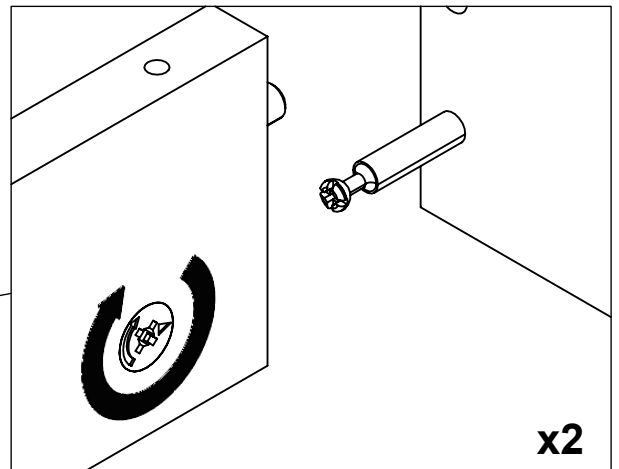


VARIANT - 1 AND 2

STEP - 6



12



x2

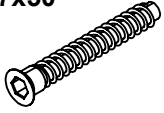
13

11

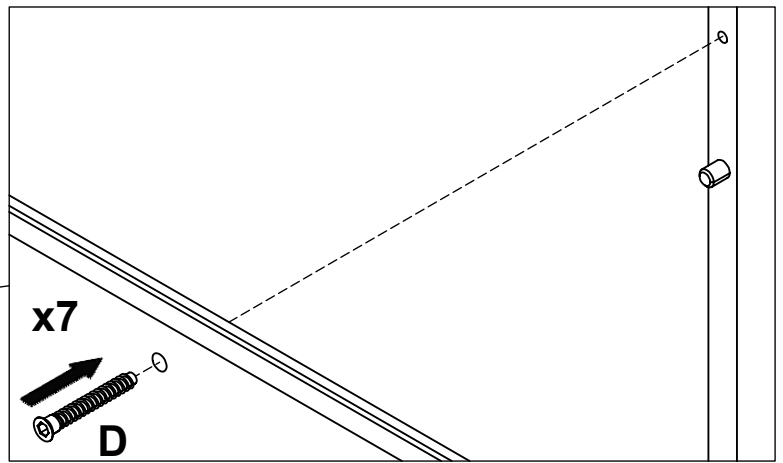
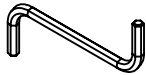
VARIANT - 1 AND 2

STEP - 7

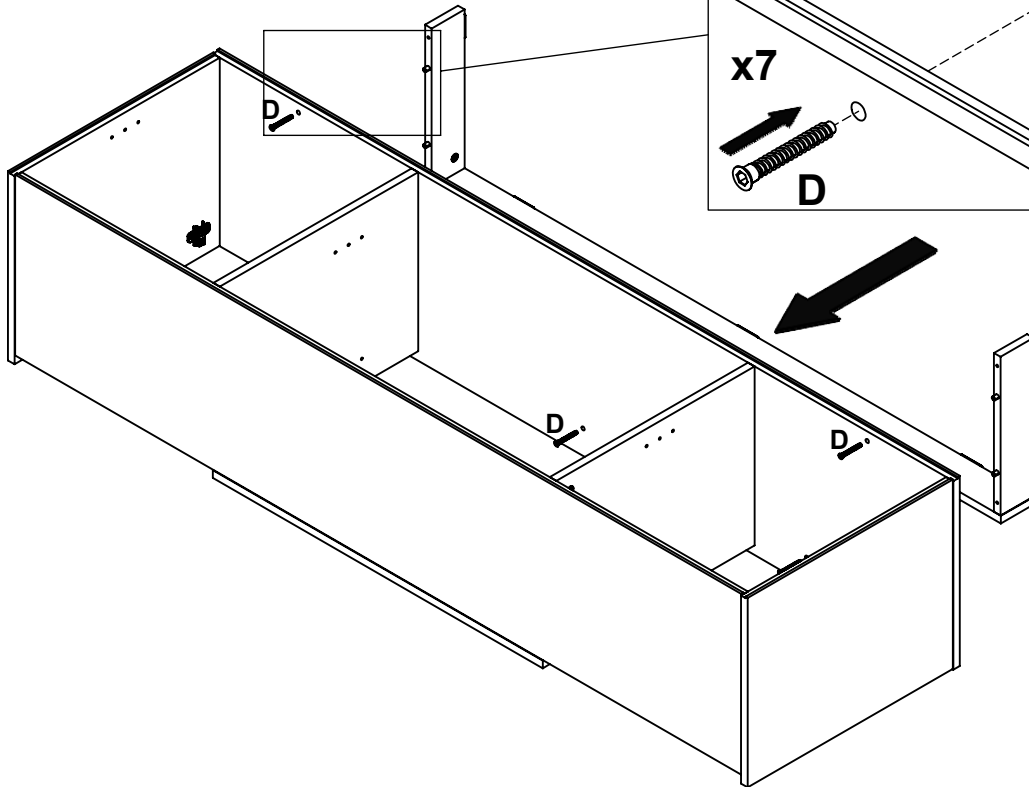
7x50



Dx7

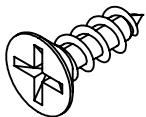


x7

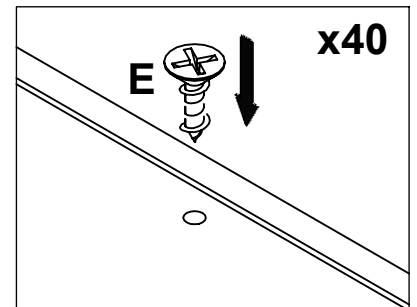
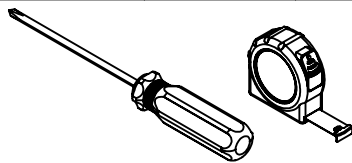


STEP - 8

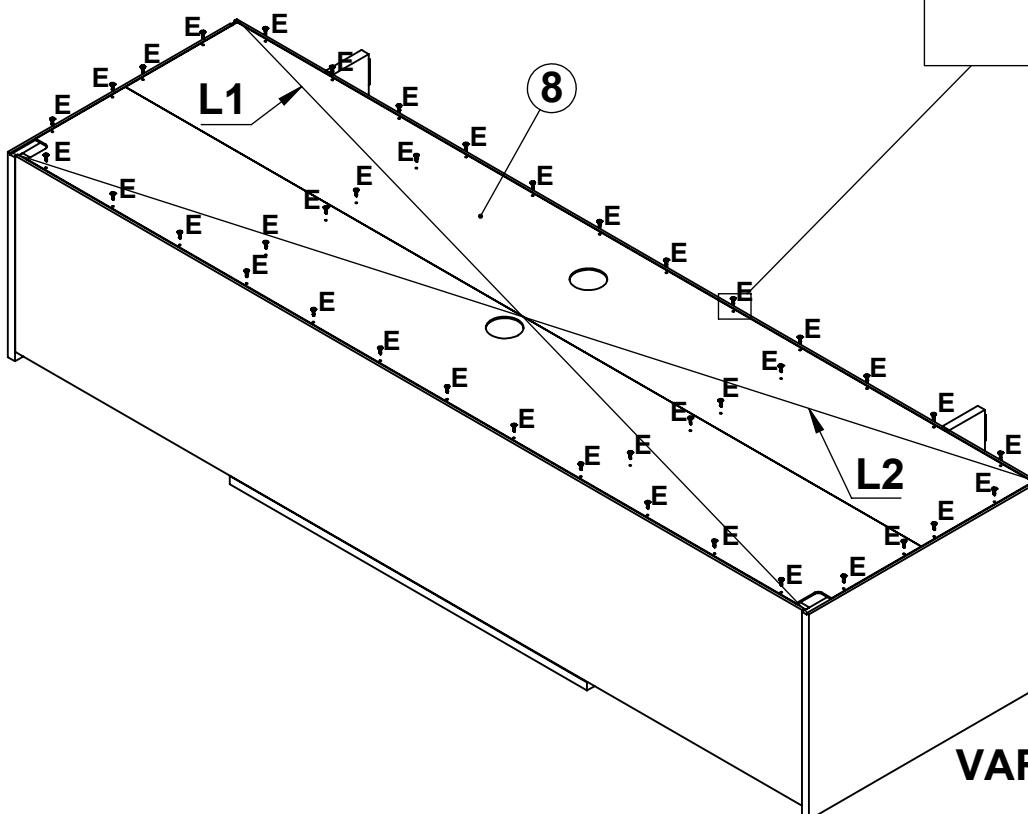
2,5x16



Ex40

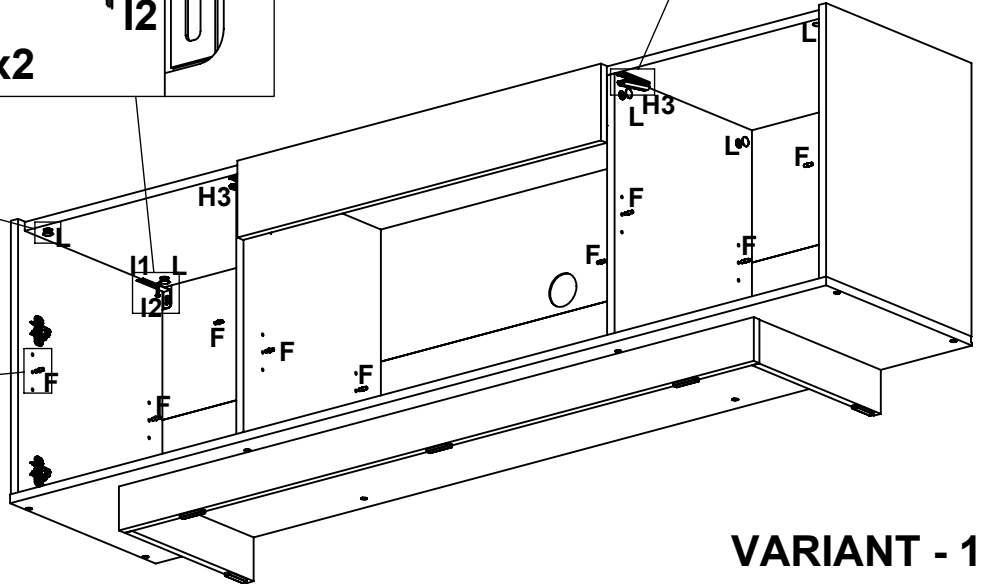
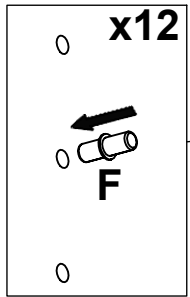
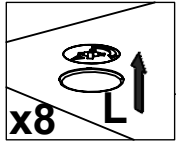
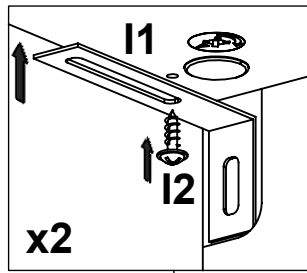
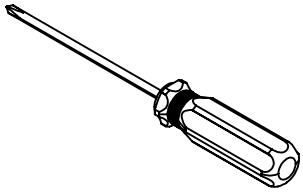
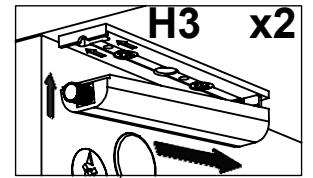
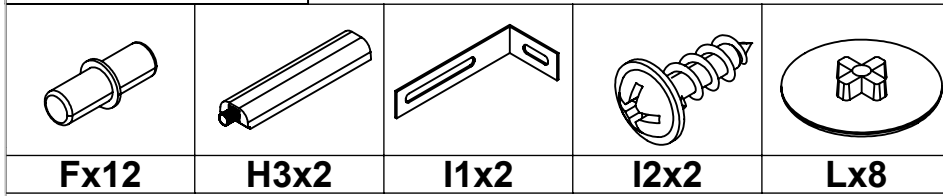


x40



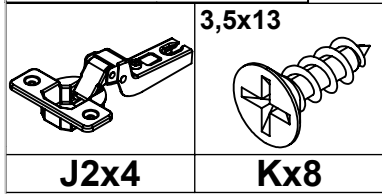
VARIANT - 1 AND 2

STEP - 9

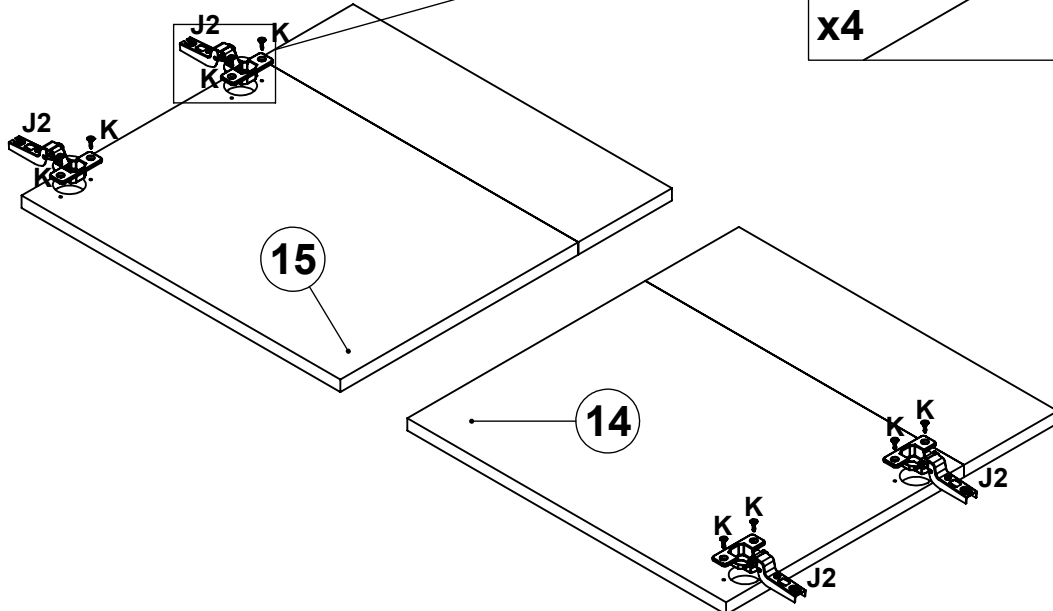
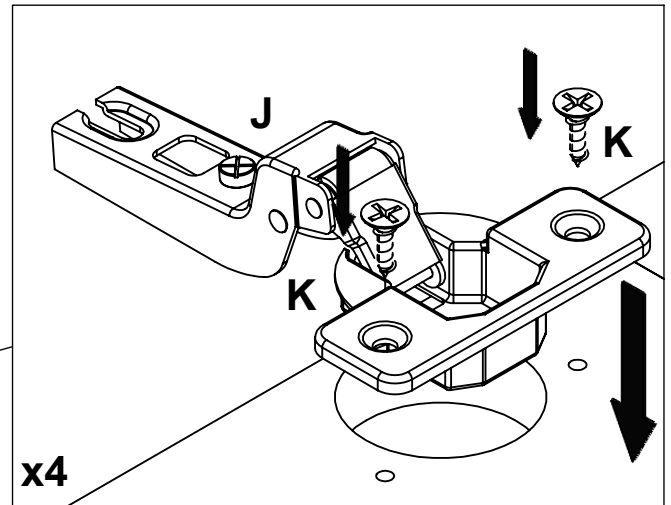
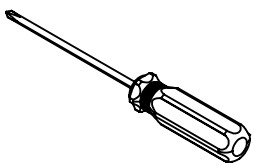


VARIANT - 1

STEP - 10



3,5x13

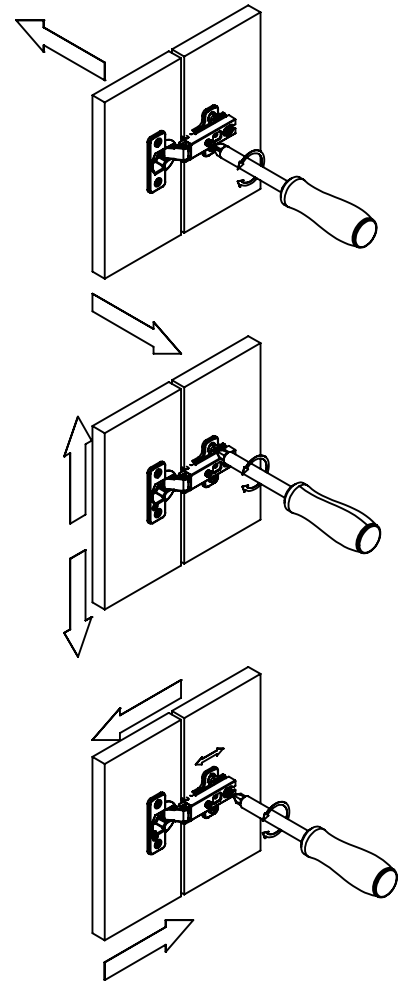
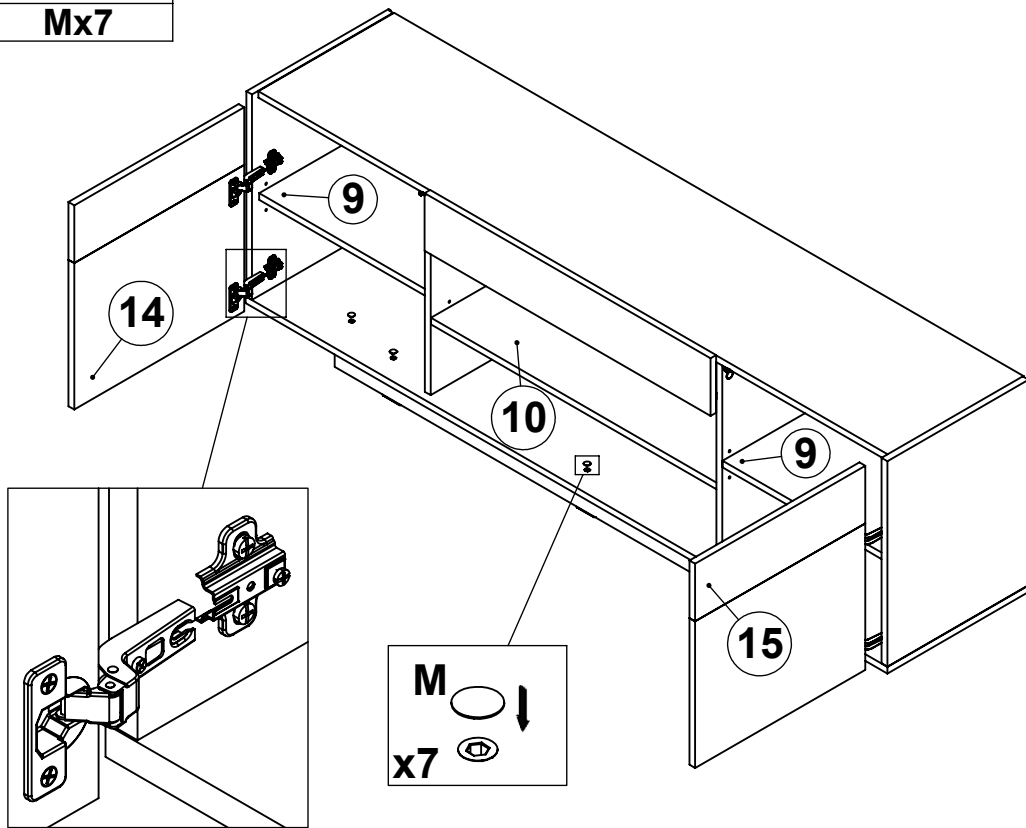
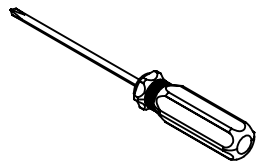


VARIANT - 1 AND 2

STEP - 11

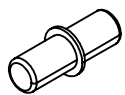


Mx7

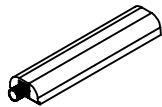


VARIANT - 1

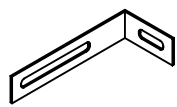
STEP - 12



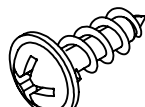
Fx12



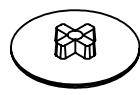
H3x2



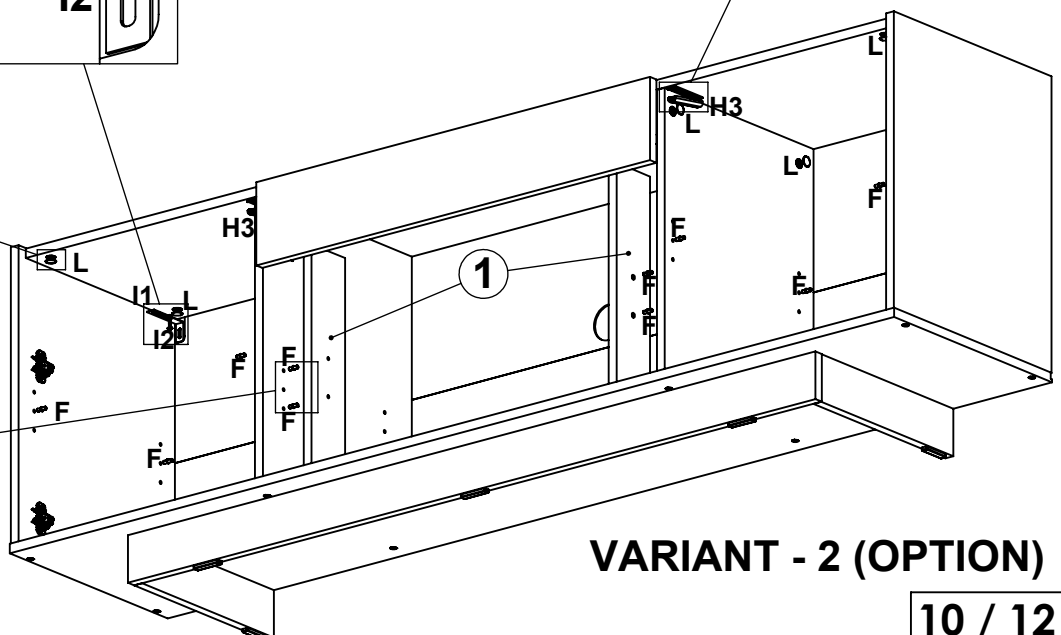
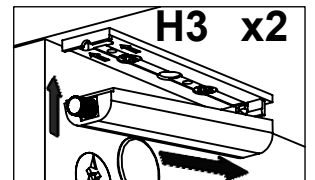
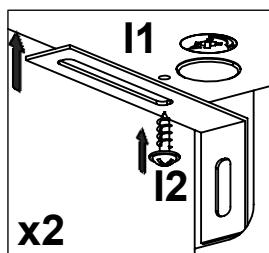
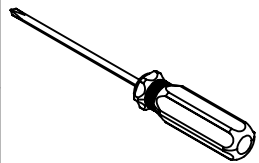
I1x2



I2x2

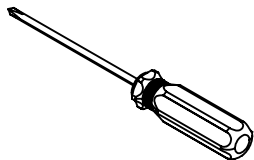


Lx8

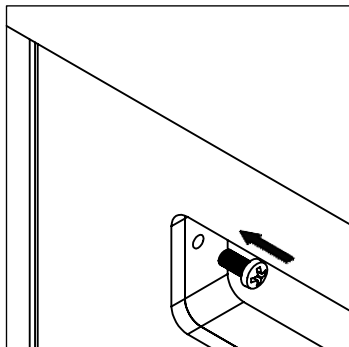


VARIANT - 2 (OPTION)

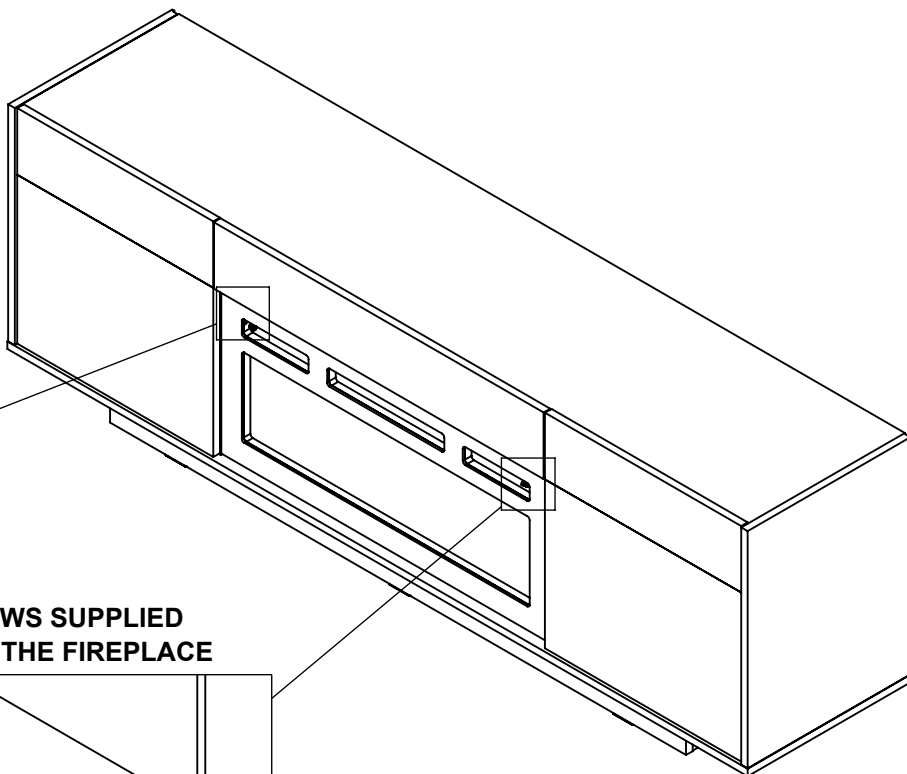
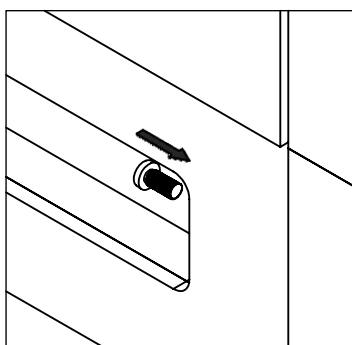
STEP - 15



SCREWS SUPPLIED WITH THE FIREPLACE

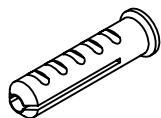


SCREWS SUPPLIED WITH THE FIREPLACE



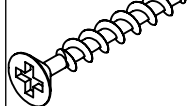
VARIANT - 2 (OPTION)

STEP - 16

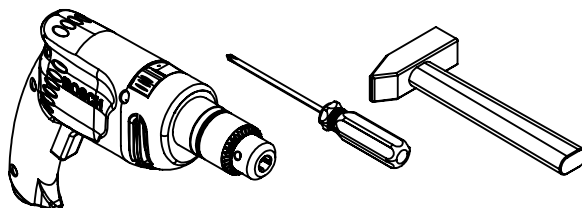


13x2

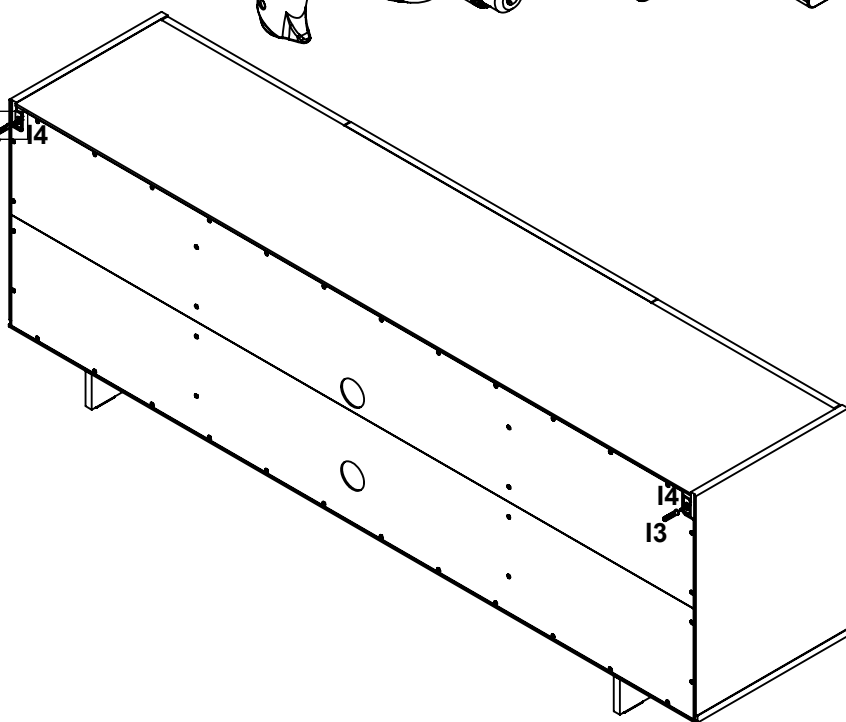
5x45



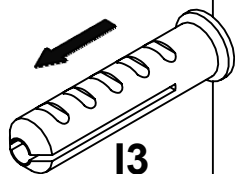
14x2



13 14



x2



13

14

14
13

VARIANT - 1 AND 2 12 / 12