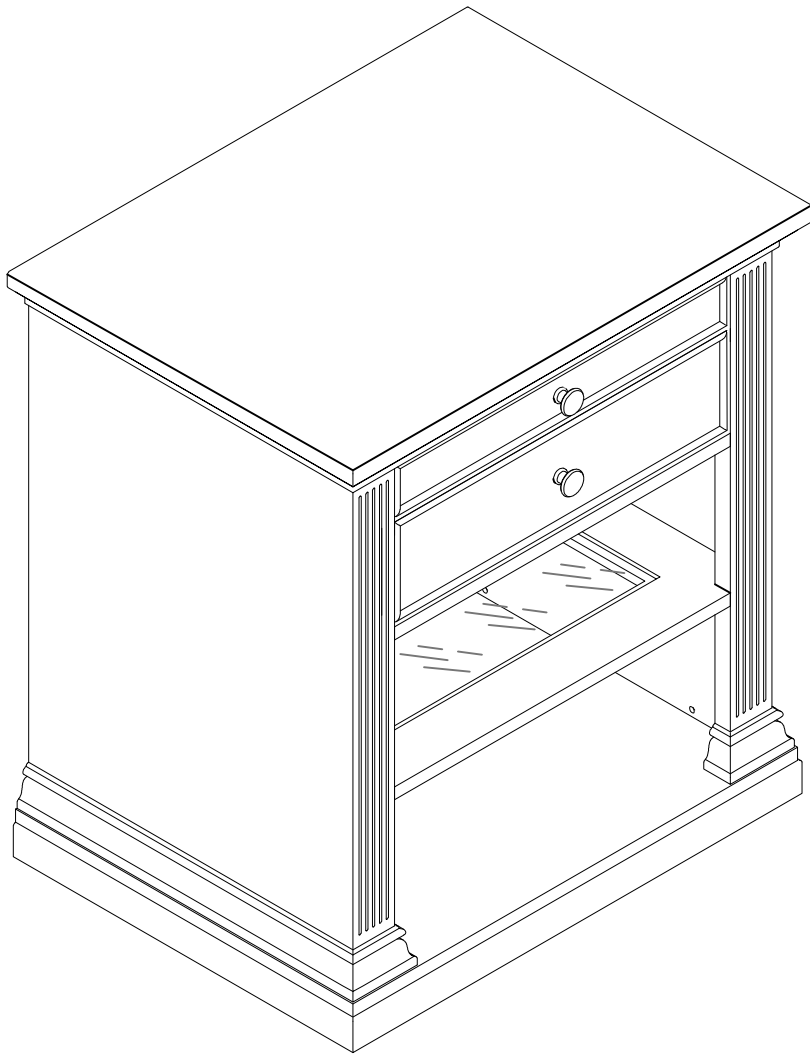


Owner Manual

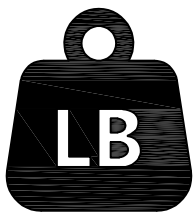


NOTE:

This brochure contains IMPORTANT safety info. Please read and keep for future reference.

MAINTAINANCE AND WARNING

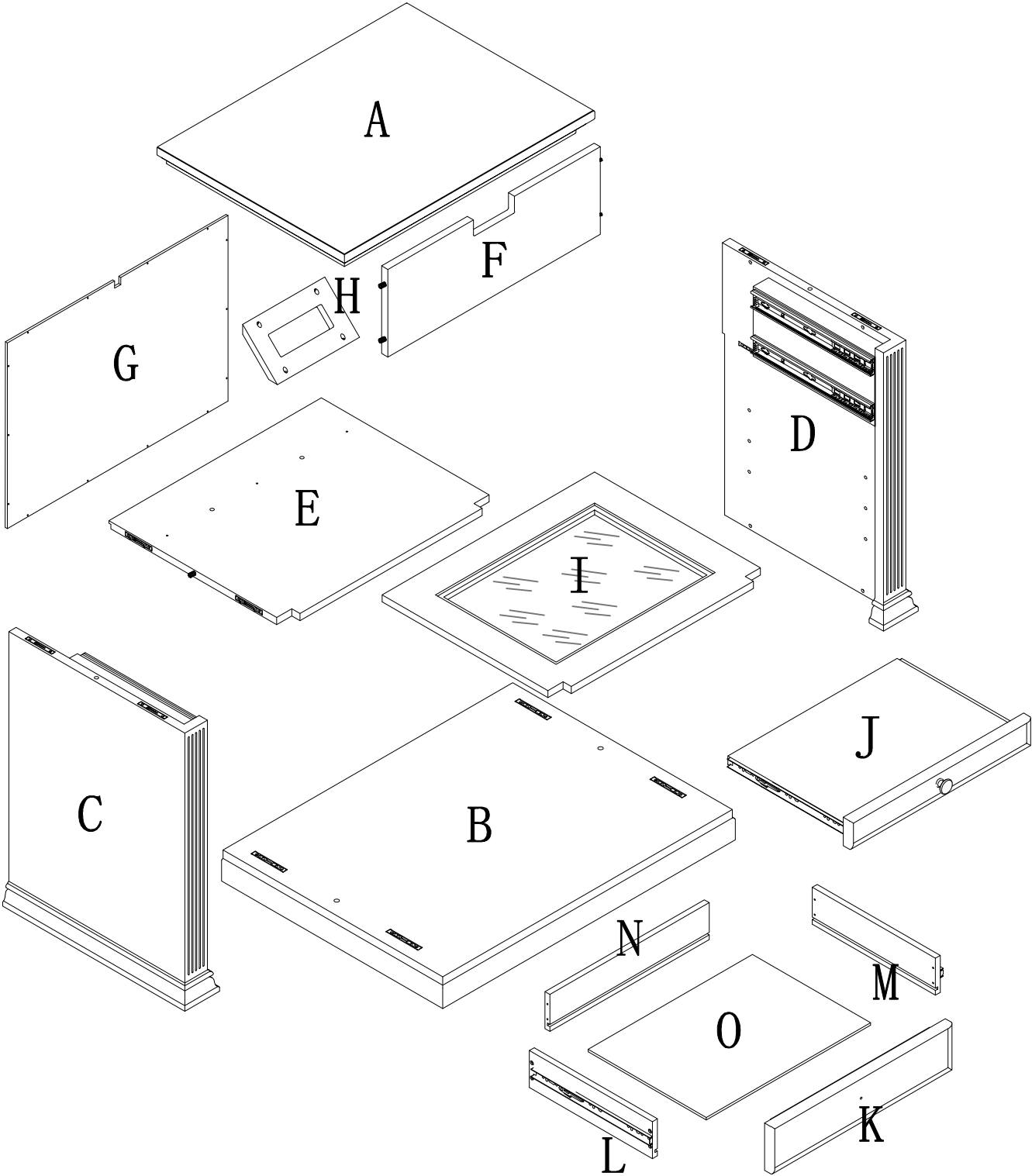
- 1.Keep furniture away from heat sources.
- 2.Do not clean furniture with harsh cleaner or polishes.Do not use detergents,solvents,abrasives,spray packs or leather cleaner. Use non-color mild soa with warm water to clean spills(Mix 1:10 soap to water).
- 3.Do not place furniture under direct sunlight,material will possibly fade over time.
- 4.Do not use on site dry cleaning machine.Children should not climb or jump on the furniture.
- 5.Do not write on furniture that is not protectedby a padded barrier.
- 6.Not for commercial use,only for residential use.



Weight Limitation

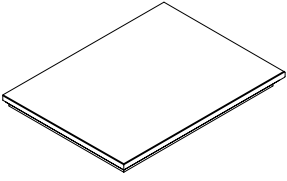
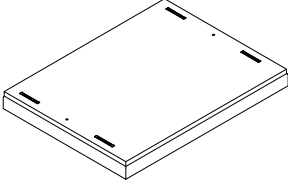
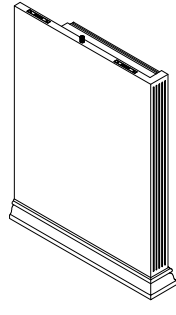
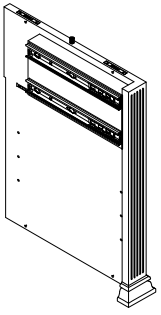
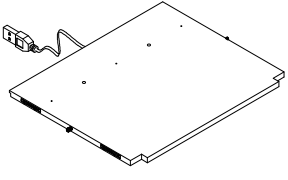
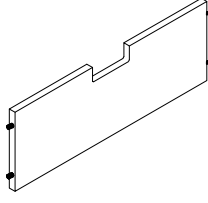
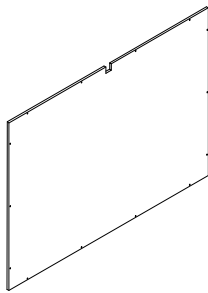
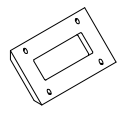
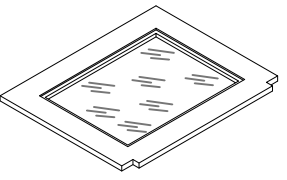
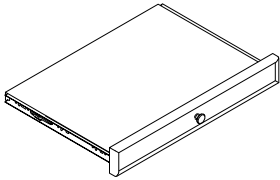
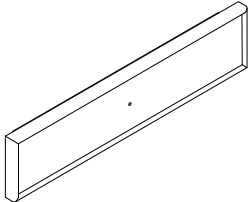
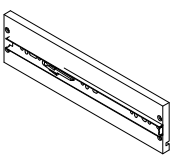
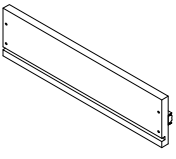
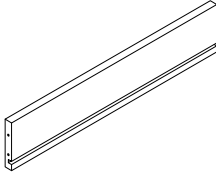
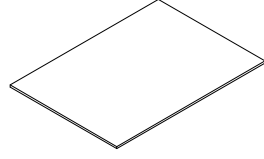
80 LBS

EXPLOSIVE VIEW

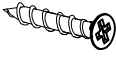
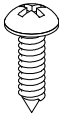
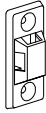
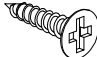

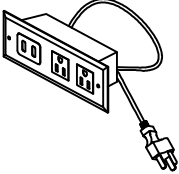


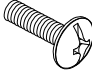

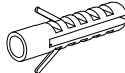



OVERVIEW


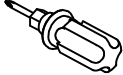
PARTS LIST

A	x1	B	x1	C	x1	D	x1
							
E	x1	F	x1	G	x1	H	x1
							
I	x1	J	x1	K	x1	L	x1
							
M	x1	N	x1	O	x1		
							

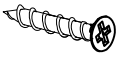
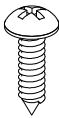
HARDWARE LIST

#1	x15	#2	x14	#3	x4	#4	x4	#5	x2	#6	x1
											
ø8#*1-1/4"		ø3*14mm				ø3*16mm*6#		ø3*12mm			
#7	x4	#8	x1	#9	x1	#10	x4	#11	x4	#12	x2
											
						ø3.5*35mm*7#					

TOOL LIST

#13	x1	#14	x1
			
M4			

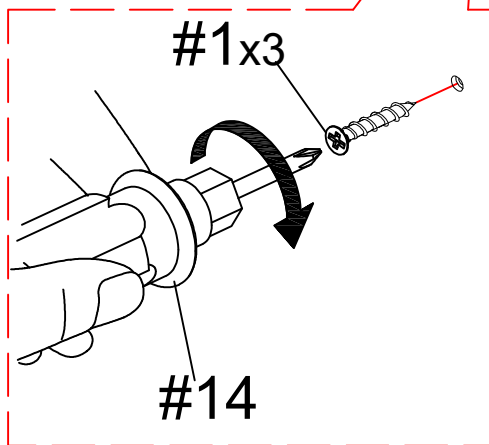
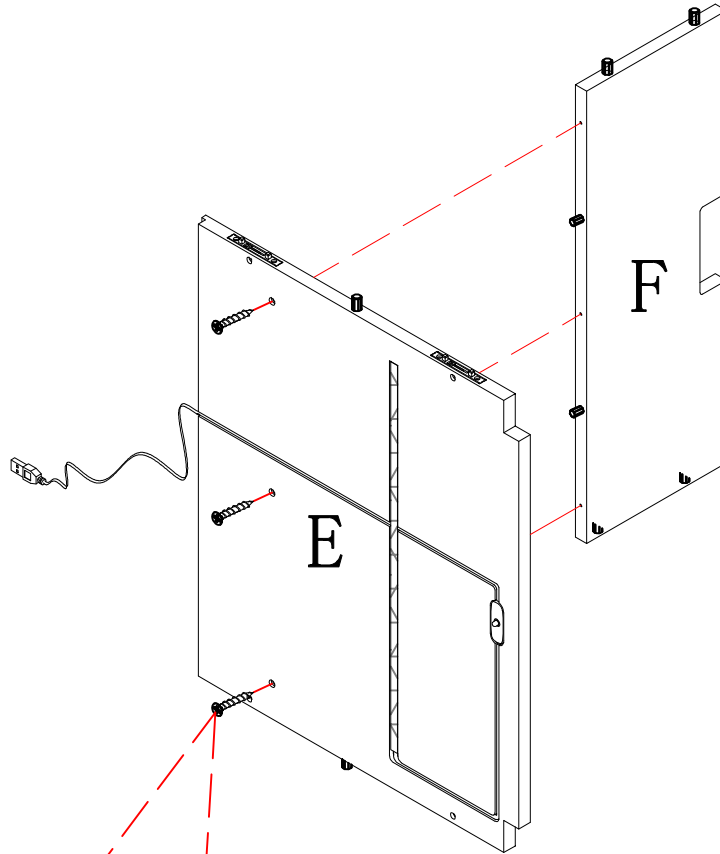
HARDWARE SPARE LIST

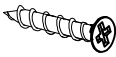
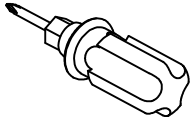
#1	x1	#2	x1
			
ø8#*1-1/4"		ø3*14mm	

ASSEMBLY INSTRUCTIONS

STEP-1

1. connect part (F) to part (E) with screw #1, tight screw with screwdriver #14.

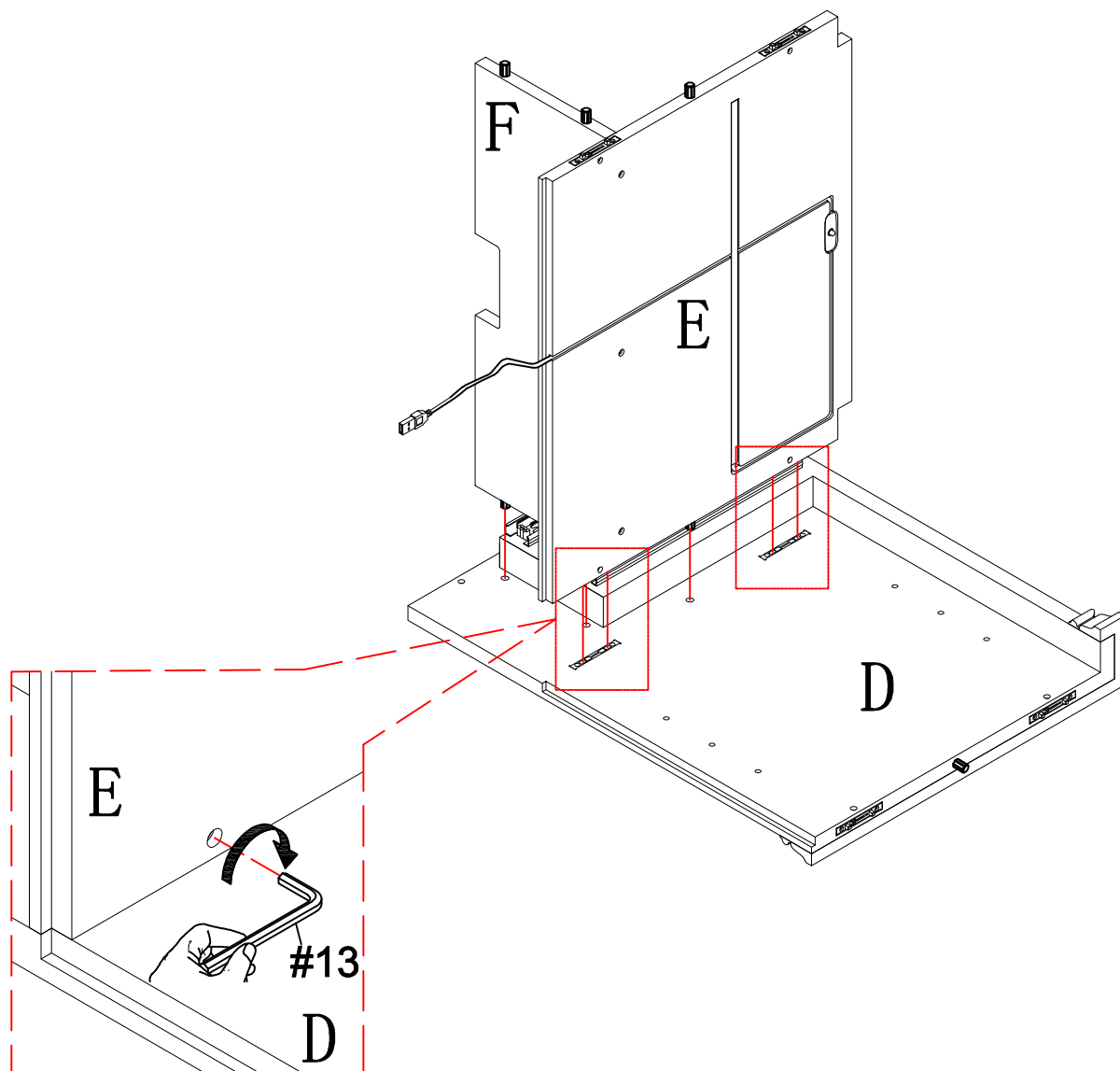



#1	x3	#14	x1
			
φ8#*1-1/4"			

ASSEMBLY INSTRUCTIONS

STEP-2

1. insert part (E/F) to part (D) , make sure all holes aligned and tight it with allen wrench #13.



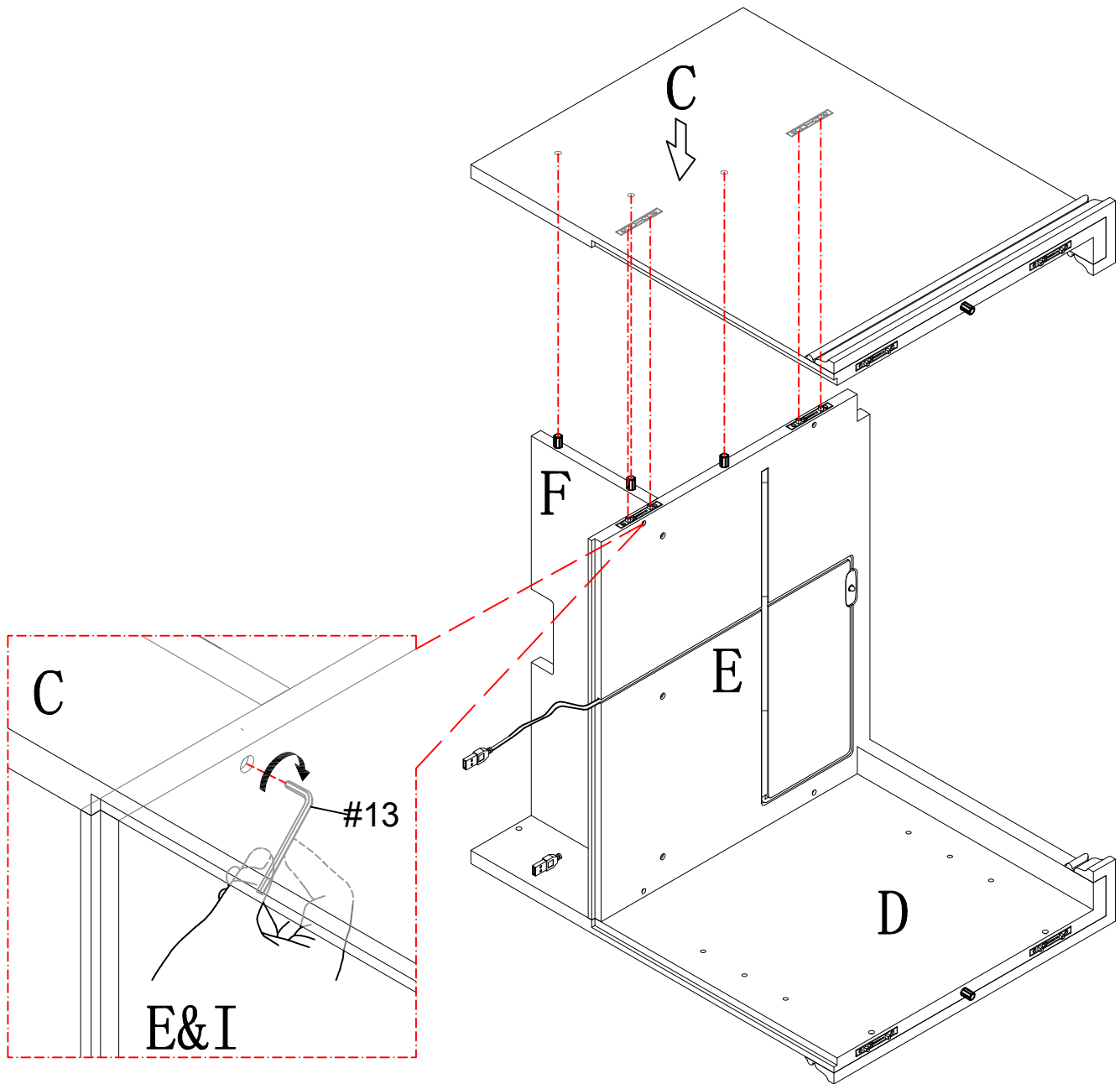
#13	x1
	
M4	

07/22

ASSEMBLY INSTRUCTIONS

STEP-3

1. insert part (C) to part (E/F) , make sure all holes aligned and tight it with allen wrench #13.



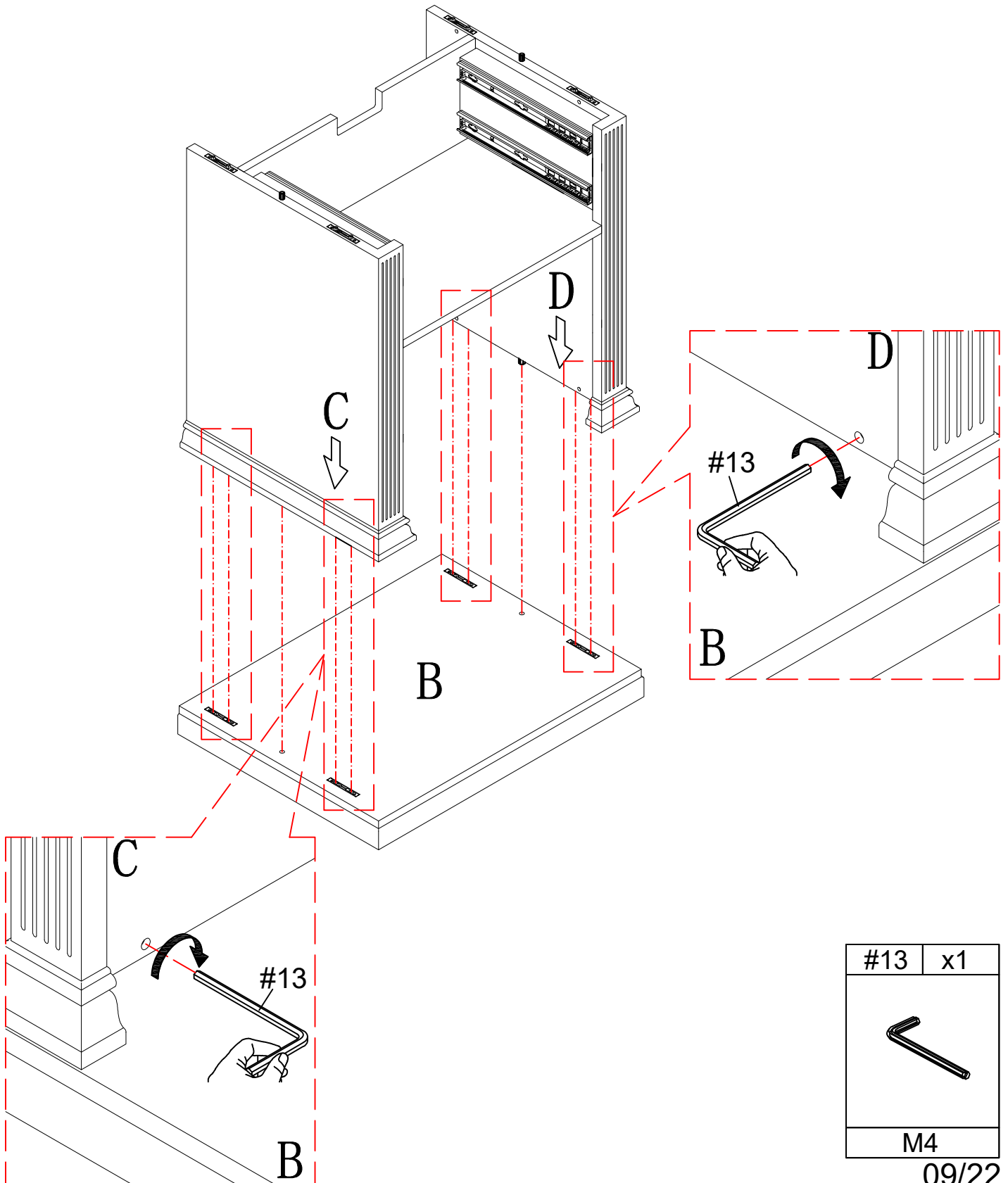
#13	x1
M4	

08/22

ASSEMBLY INSTRUCTIONS

STEP-4

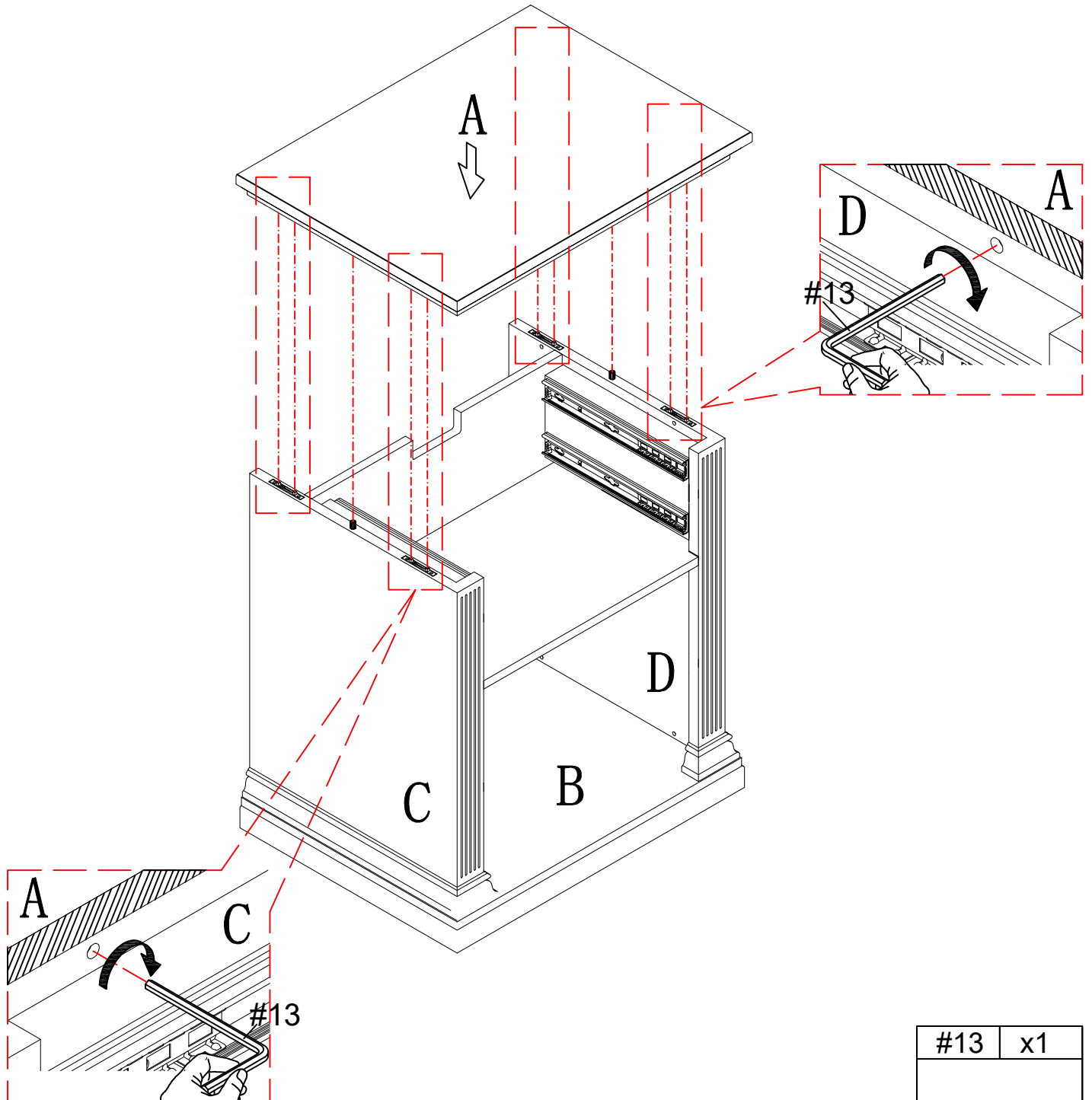
1. insert the unit pre-assembled at step 3 to part (B) , make sure all holes aligned and tight it with allen wrench #13.




ASSEMBLY INSTRUCTIONS

STEP-5

1. insert part (A) to the unit pre-assembled at step 4, make sure all holes aligned and tight it with allen wrench #13.

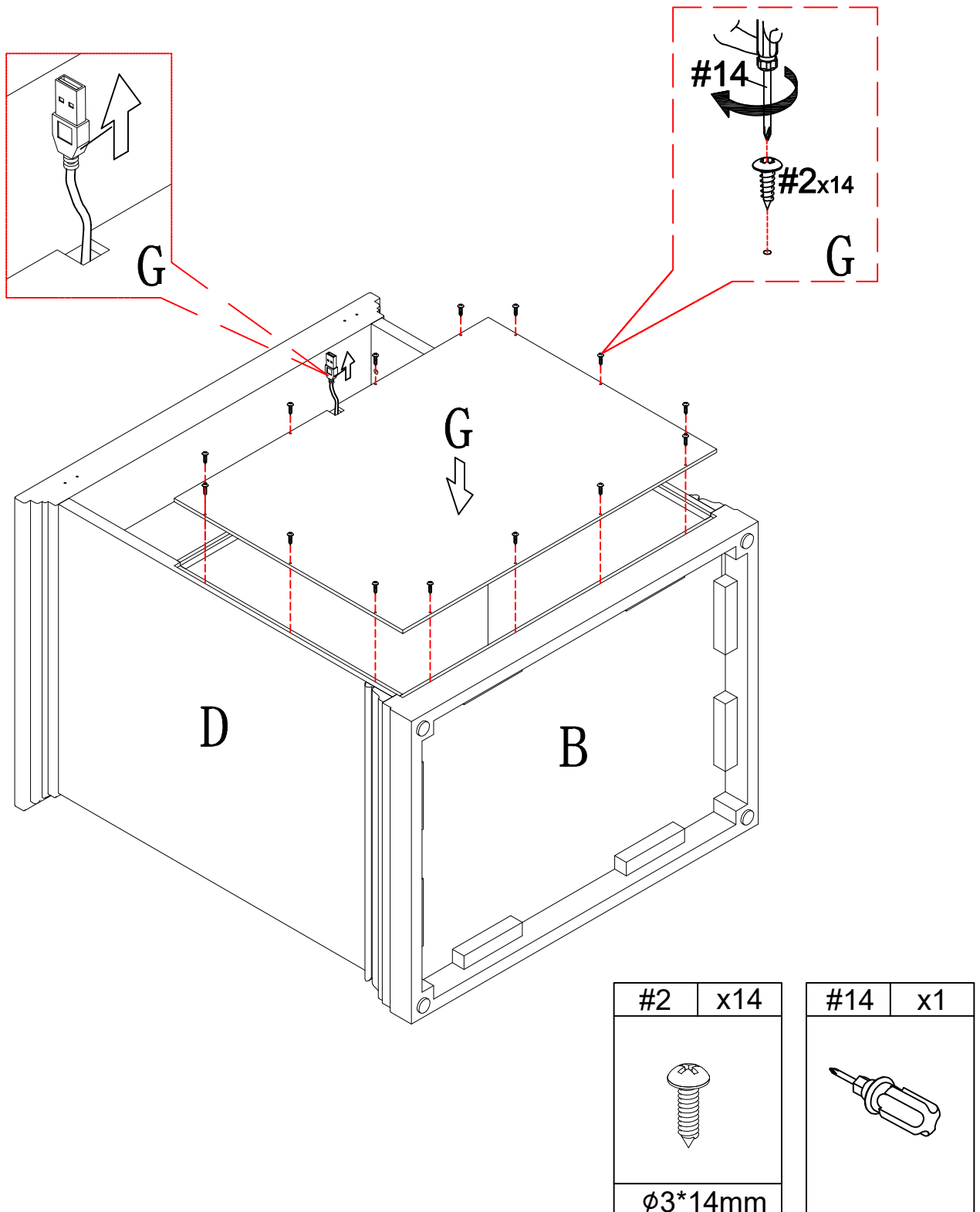


#13	x1
	
M4	

ASSEMBLY INSTRUCTIONS

STEP-6

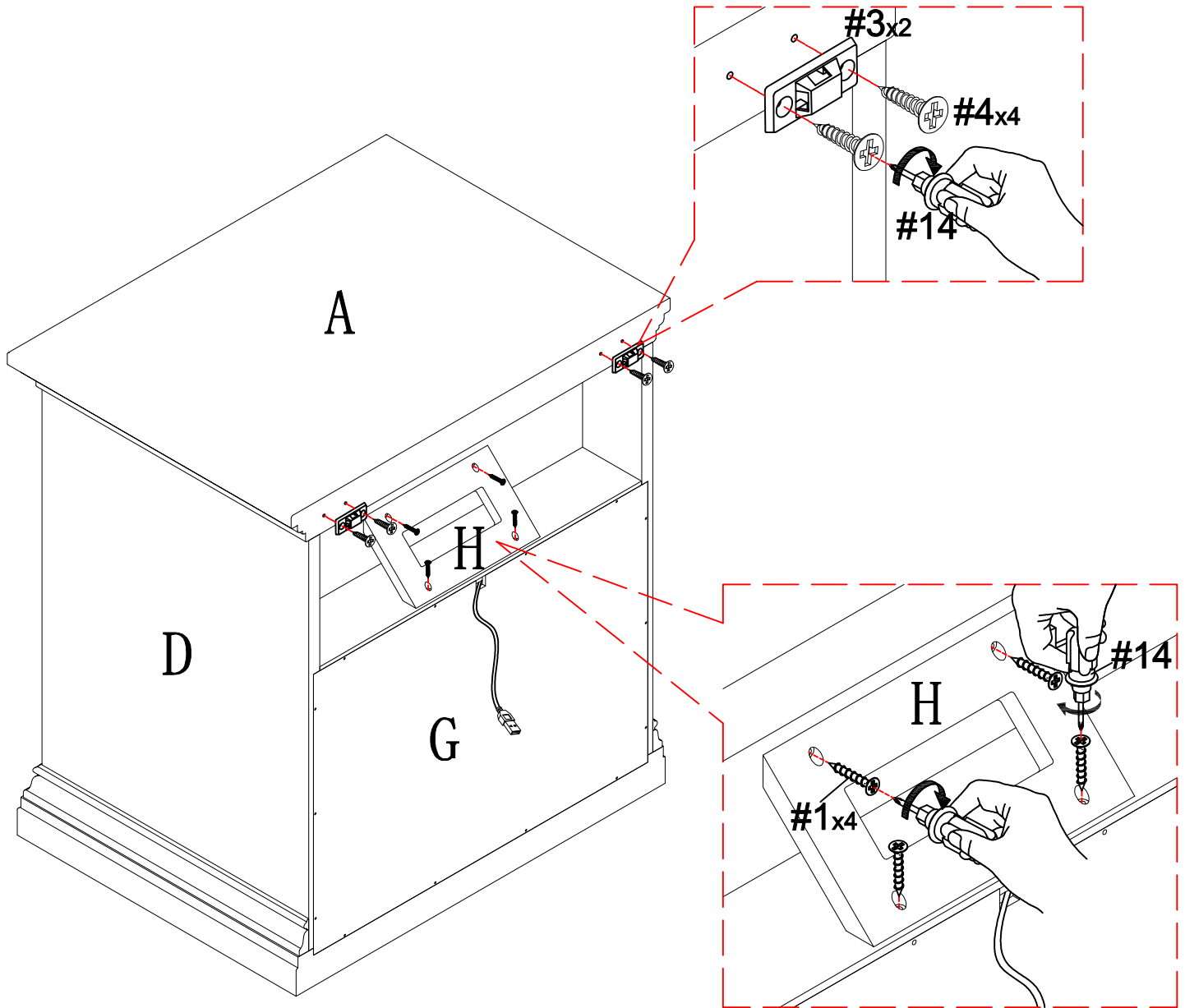
1. connect part(G) to the unit pre-assembled at step 5 with screw#2,tight screw with screwdriver #14. make sure the usb plug cross the back panel(G).

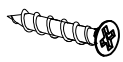


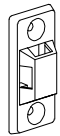
ASSEMBLY INSTRUCTIONS

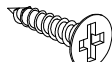
STEP-7

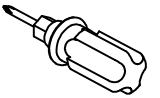
1. connect part(H) to the unit pre-assembled at step 6 with screw#1,tight screw with screwdriver #14.
2. connect part #3 to part(A) with screw #4, tight screw with screwdriver #14.



#1	x4
	
ø8#*1-1/4"	

#3	x2
	

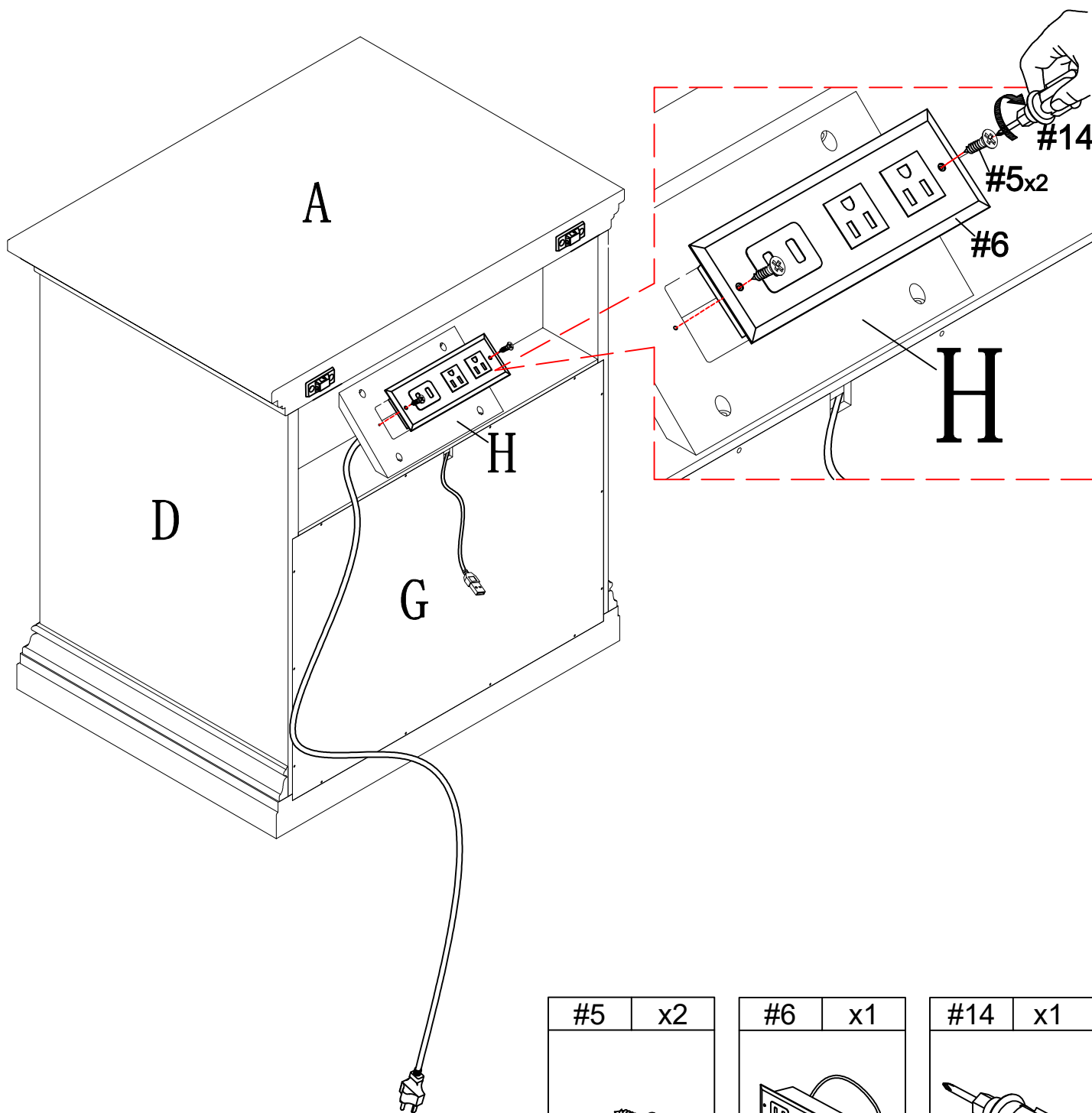
#4	x4
	
ø3*16mm*6#	


#14	x1
	

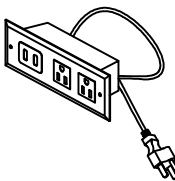
ASSEMBLY INSTRUCTIONS

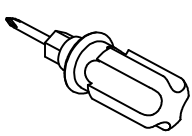
STEP-8

1. connect part #6 to part (H) with screw #5, tight screw with screwdriver #14.



#5	x2
	
ø3*12mm	

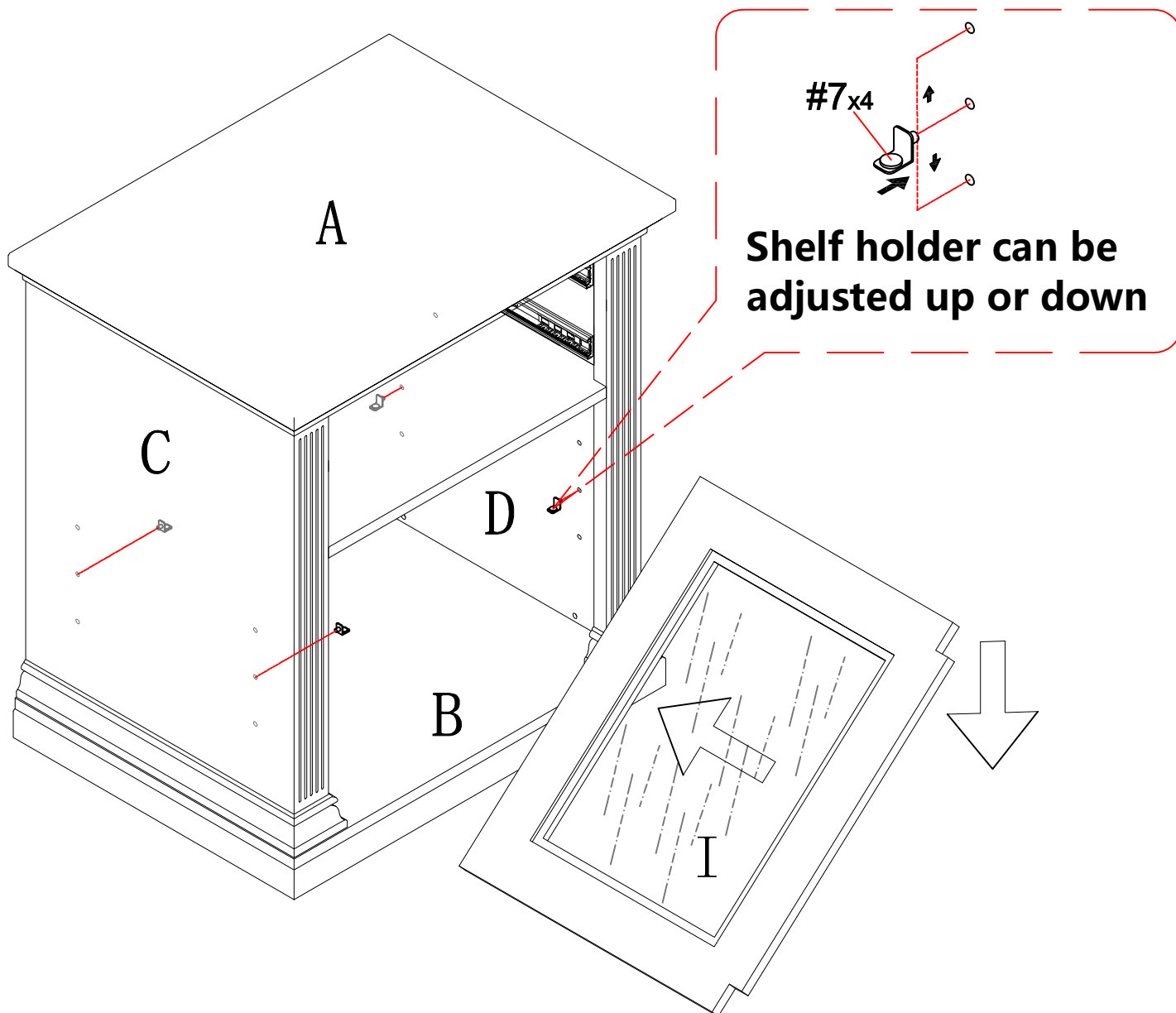
#6	x1
	

#14	x1
	

ASSEMBLY INSTRUCTIONS

STEP-9

1. insert part #7 to the hole of part (C/D),make sure they are at the same level ,then attach part (I) to it.

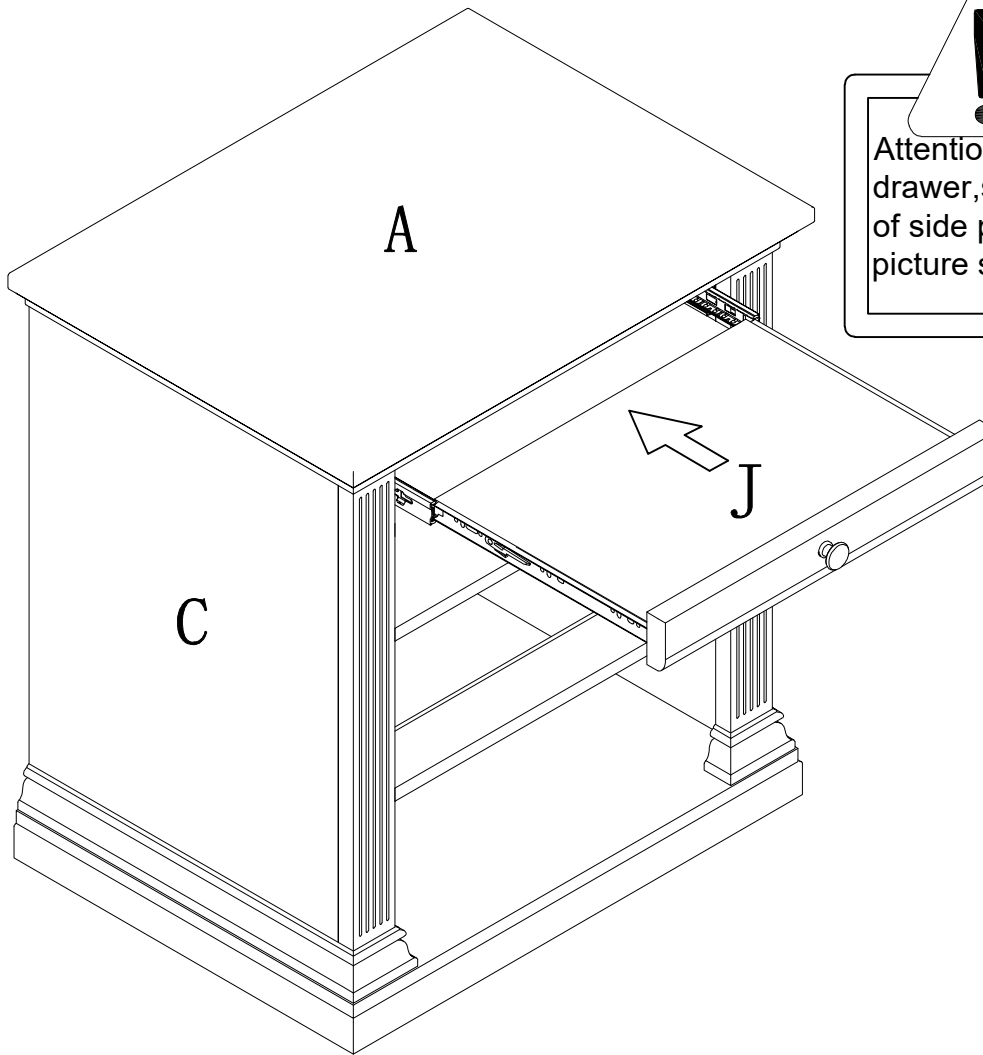


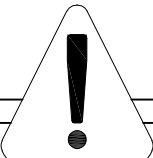
#7	x4

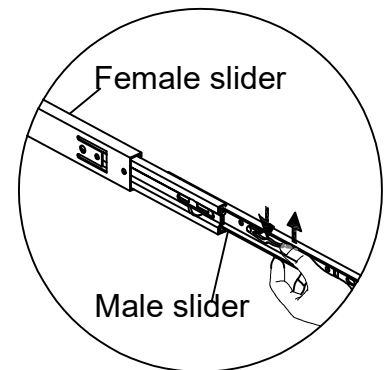
ASSEMBLY INSTRUCTIONS

STEP-10

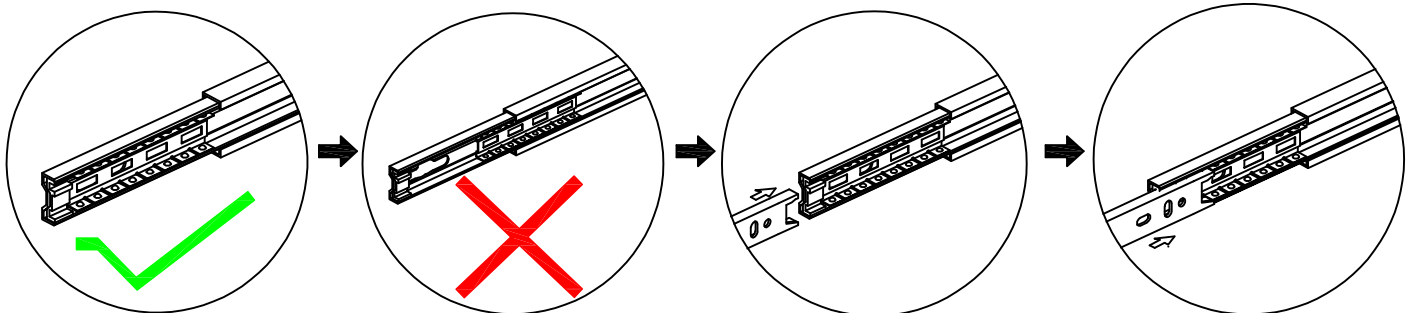
1. insert top drawer (J) to the body.




Attention: When installing the drawer, slide the steel ball slide rail of side panel to the most front as picture show.



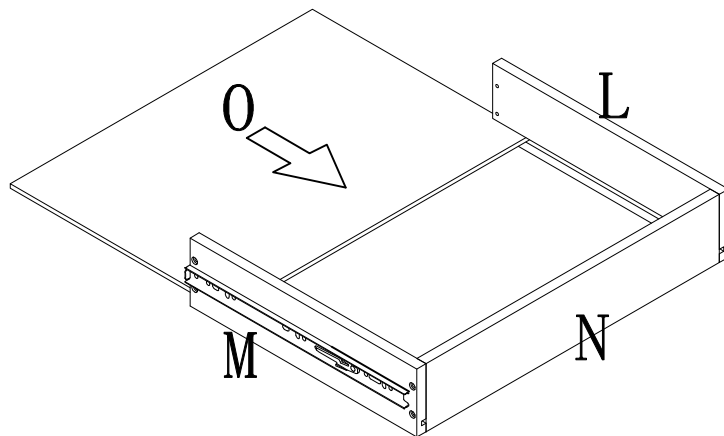
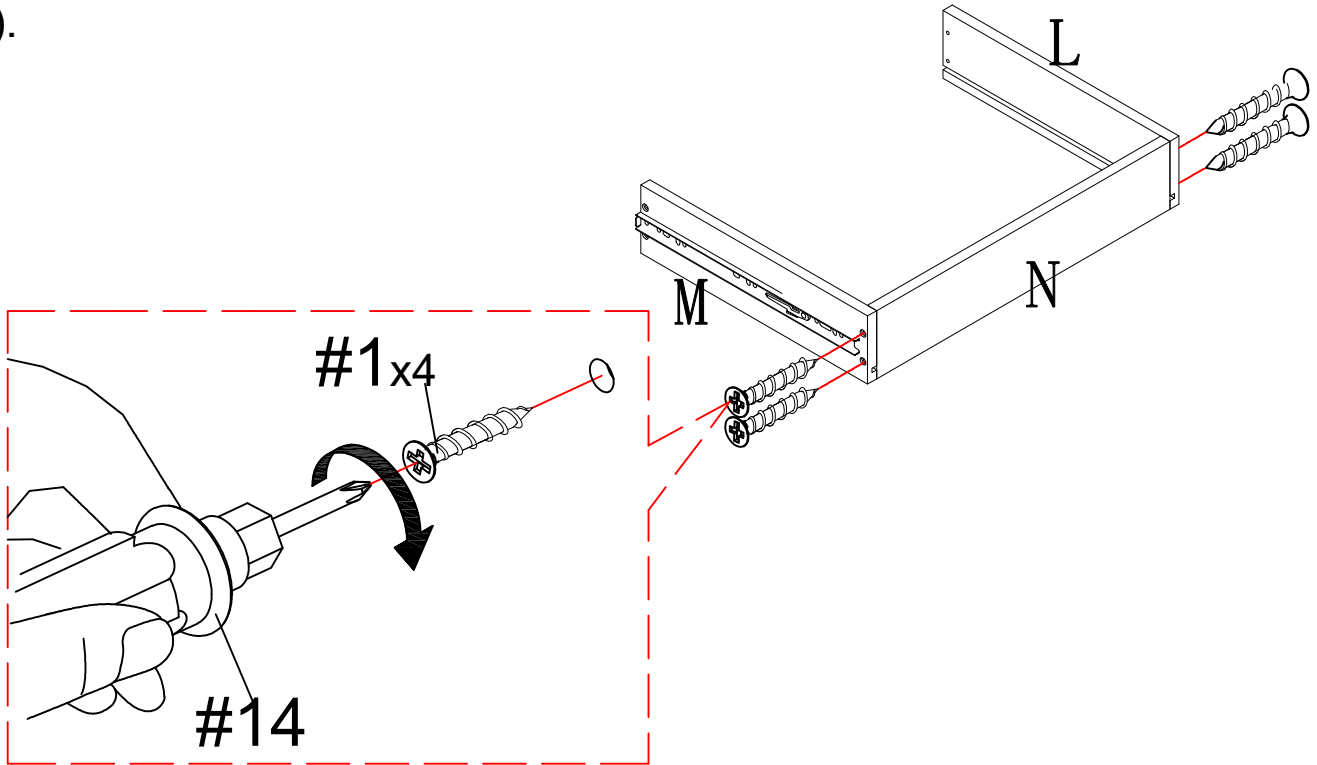
Schematic diagram of slide rail disassembly

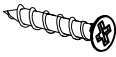
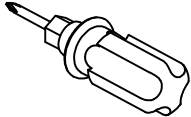


ASSEMBLY INSTRUCTIONS

STEP-11

1. connect part (L/M) to part(N) with screw #1, tight screw with screwdriver #14.
2. slide part (O) to part (L/M), make sure it also in the groove of part (N).

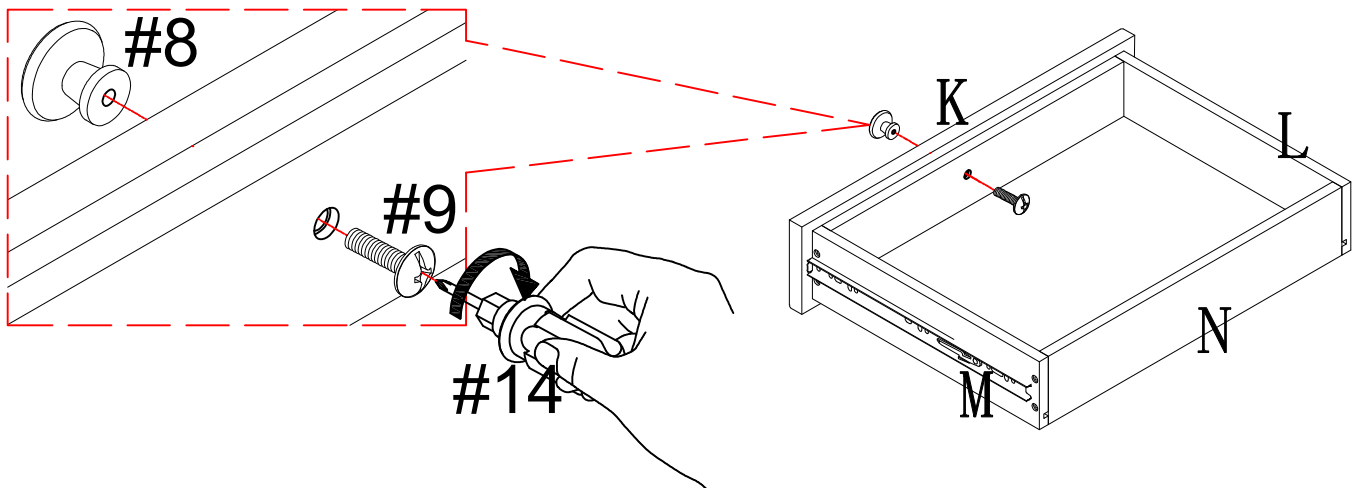
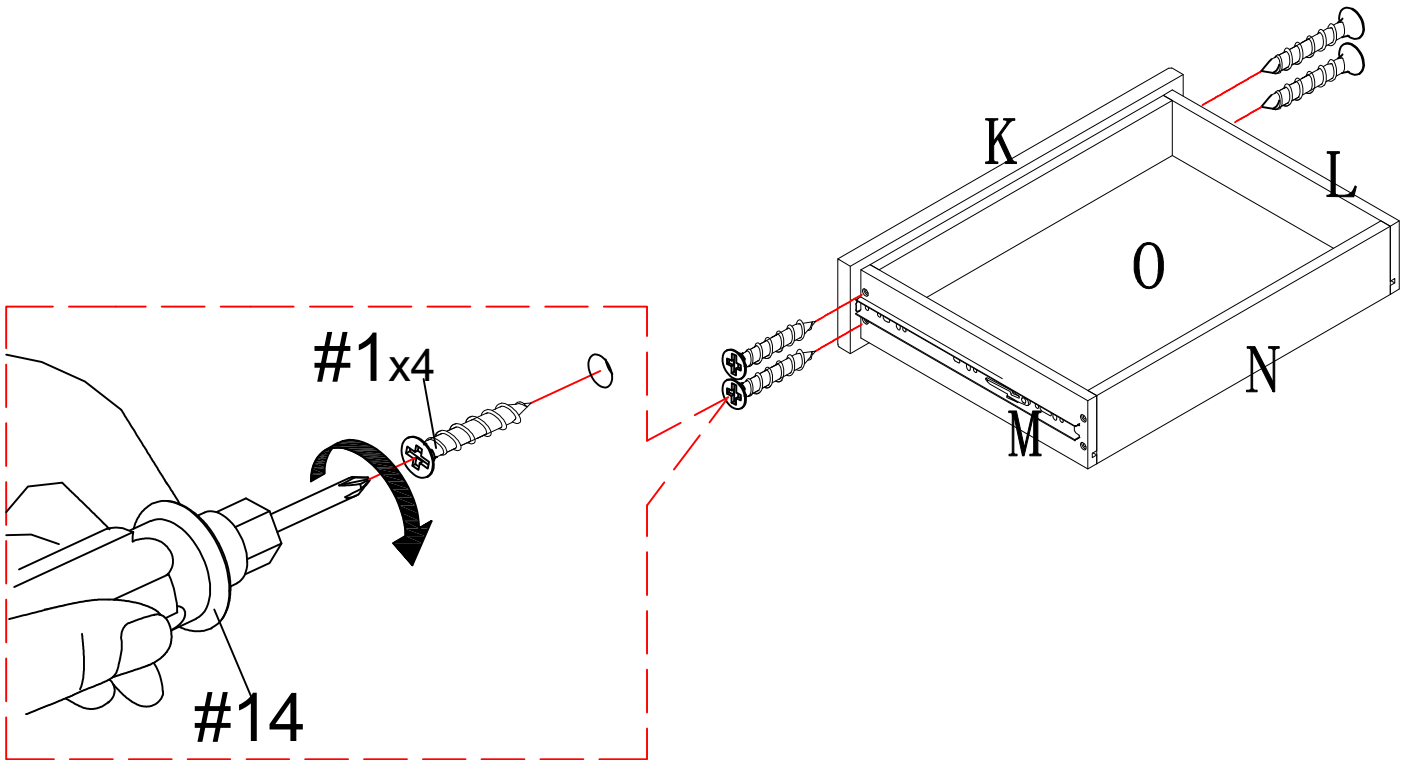


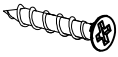
#1	x4	#14	x1
			
φ8#*1-1/4"			


ASSEMBLY INSTRUCTIONS

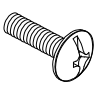
STEP-12

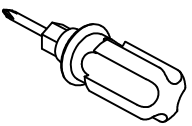
1. connect part (L/M) to part(K) with screw #1, tight screw with screwdriver #14.
2. connect part #8 to part (K) with part #9, tight it with screwdriver #14.



#1	x4
	
ø8#*1-1/4"	

#8	x1
	

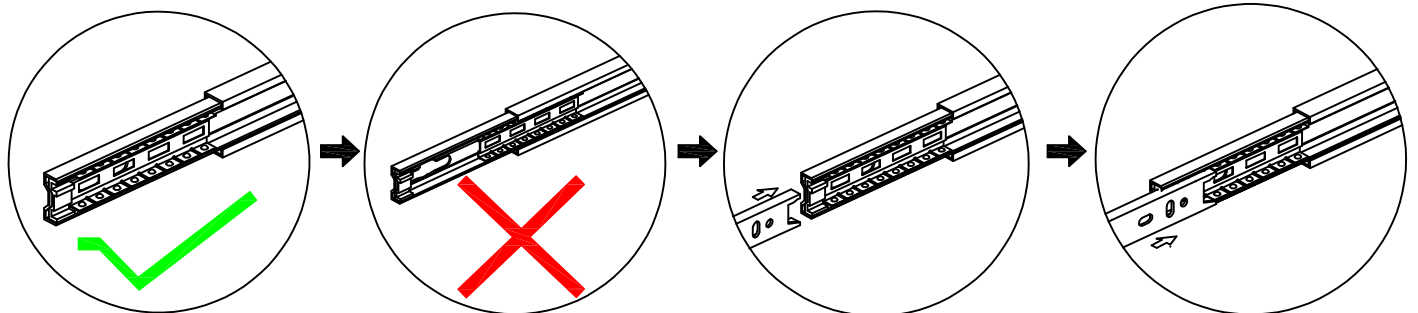
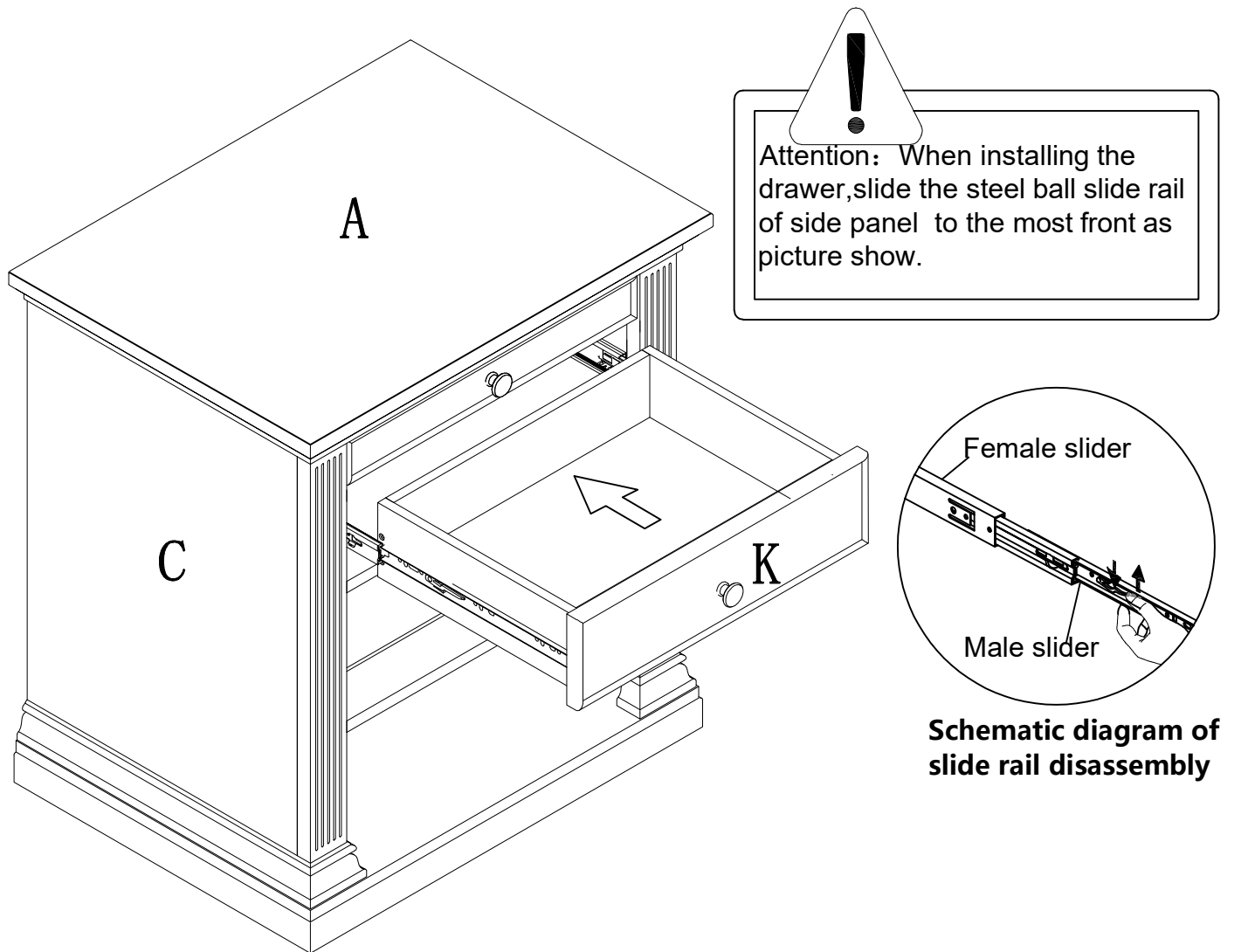
#9	x1
	
ø32/5"*1"	

#14	x1
	

ASSEMBLY INSTRUCTIONS

STEP-13

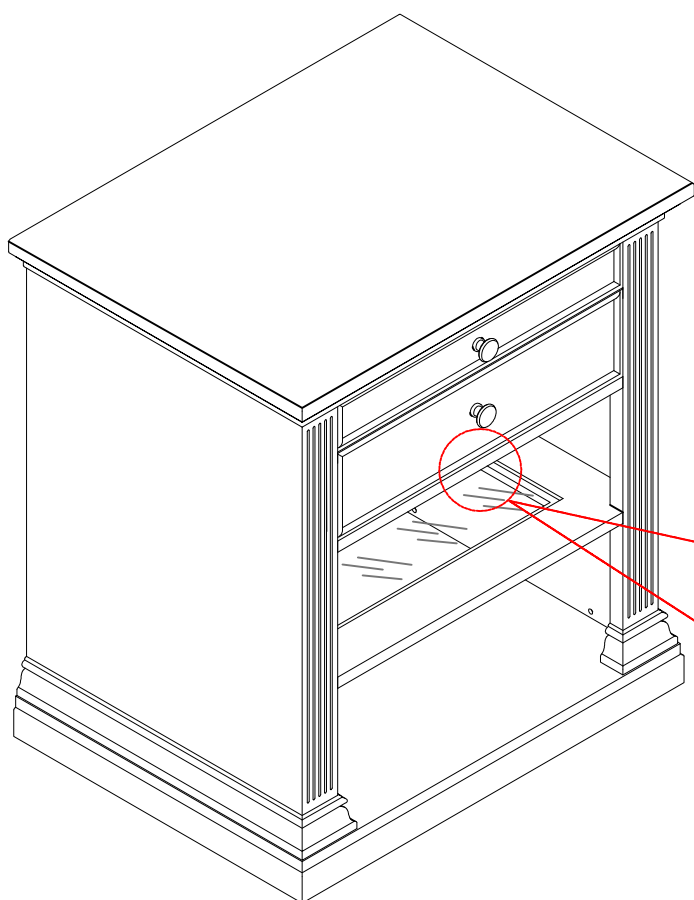
1. insert big drawer to the body.



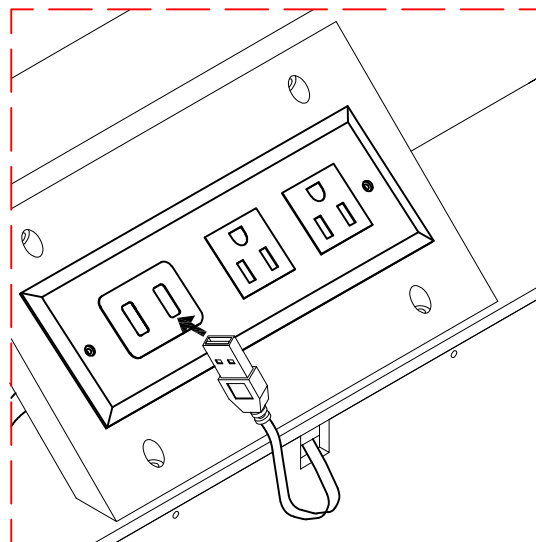
ASSEMBLY INSTRUCTIONS

STEP-14

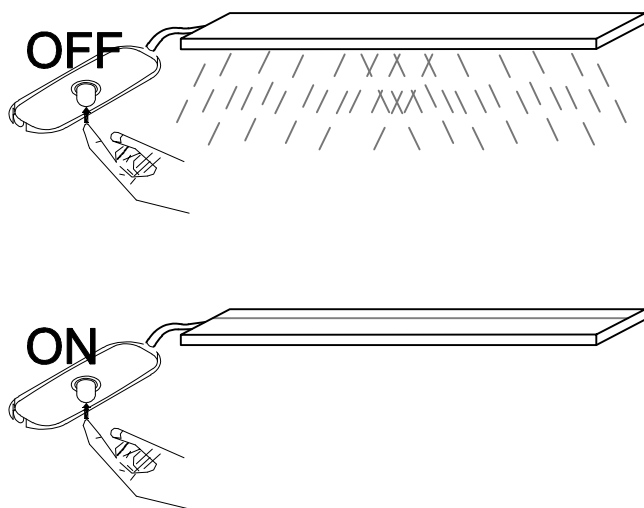
1. insert the light usb to the outlet, you can turn on/off by push the botton.



1:



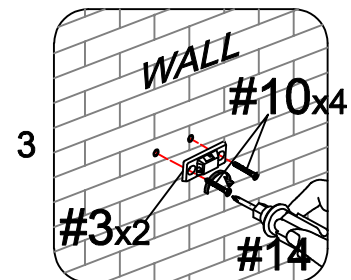
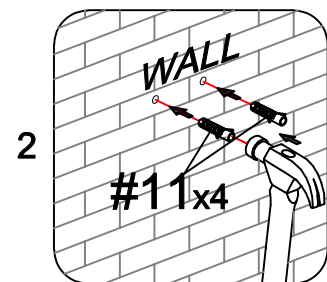
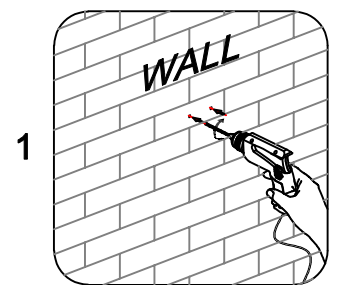
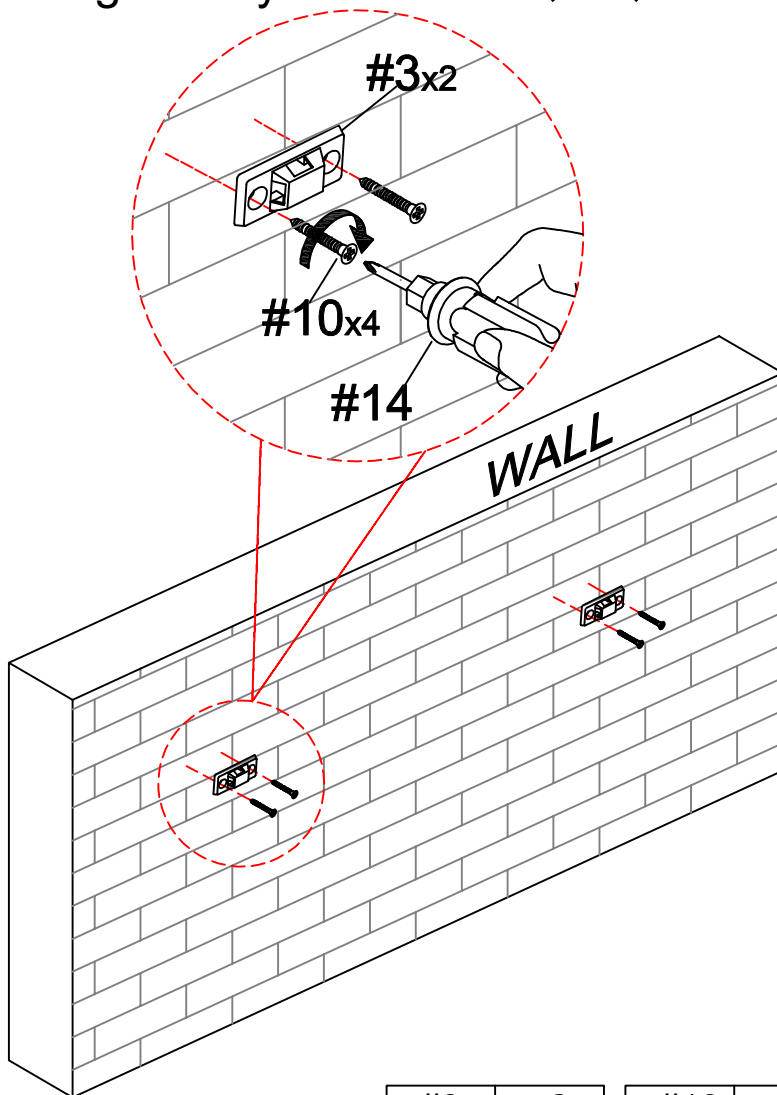
2:

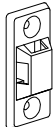


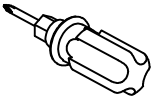


ASSEMBLY INSTRUCTIONS

STEP-15

1. Install the anti-collapse device.
2. Mark the position on the wall, that corresponds to the location of part (#3) on the top panel (A); Drill and insert the expandable screw (#11) by hammer.
3. Assemble the part (#3) to the wall. Align the hole in the part (#3) with the expandable screw (#11), use screw (#10) to attach it and tighten by screwdriver (#14).

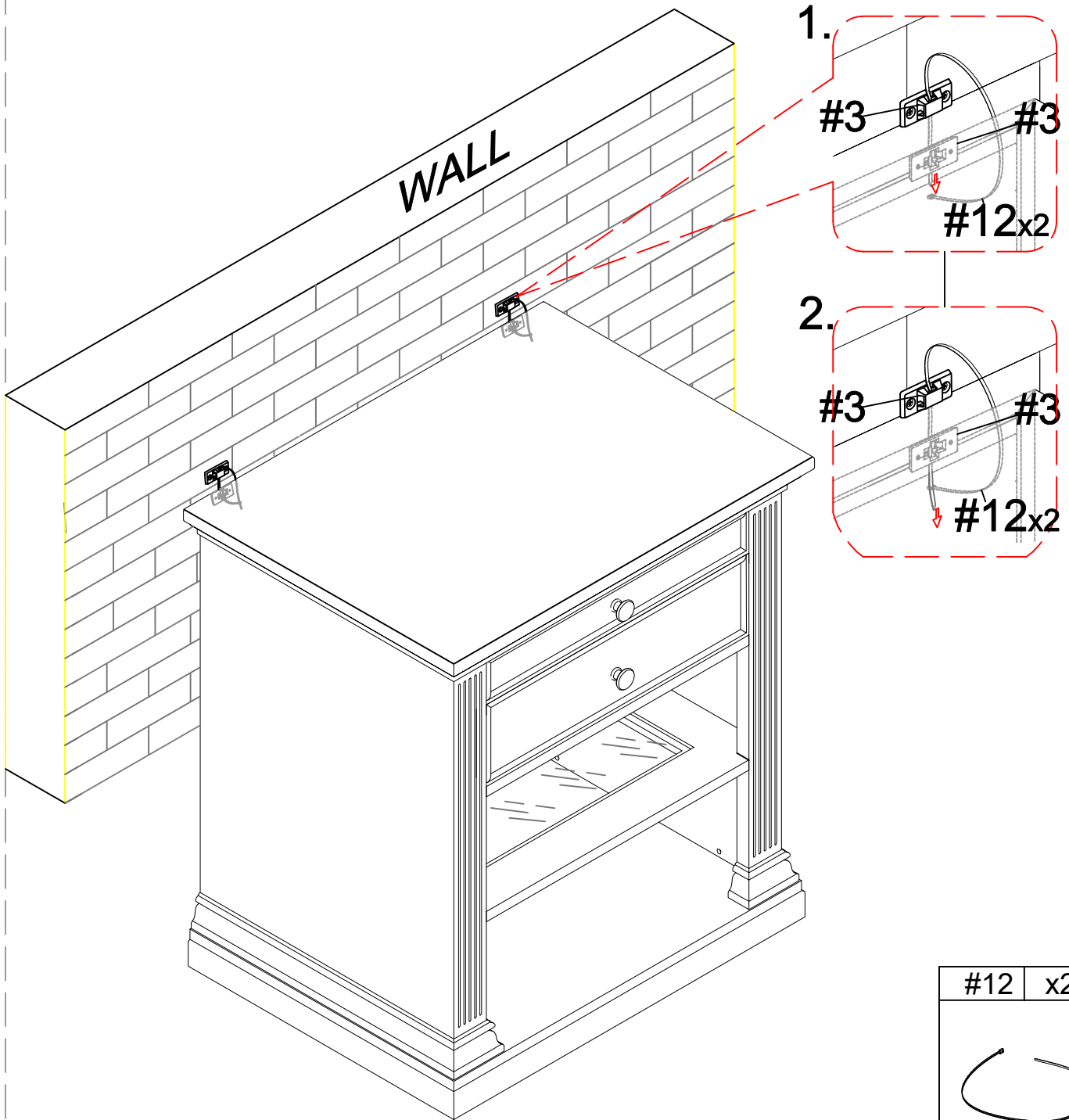


#3	x2	#10	x4	#11	x4	#14	x1
							
		φ3.5*35mm*7#					

ASSEMBLY INSTRUCTIONS

STEP-16

1. Let the plastic belt (#12) pass through the both part (#3) and pull tightly.



#12	x2

WARRANTY

1. We strive to offer high-quality products, and we also try our best to satisfy each and every customer that orders from us with product or service as needed.
2. We provide 30 days warranty starting from the time you receive the item. Each customer must provide a record of their order such as the order number, or item receipt for any items that are out of the warranty period you may also still receive.
3. Replacement parts by purchasing them with our company if they are available.