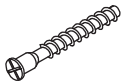
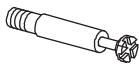





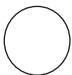

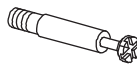


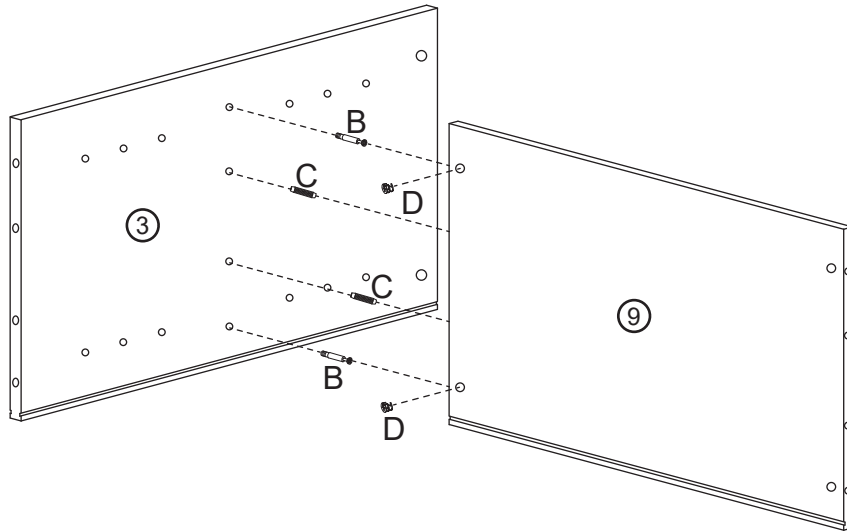


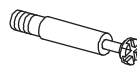


A×4PCS	B×47PCS	C×32PCS	D×47PCS	E×16PCS	F×16PCS
 Ø5×40mm	 M6 x 35mm	 Ø8×30mm	 Ø15×12mm		
G×16PCS	H×12PCS	I×1PC			
 Ø3.5×14mm		 M4mm			

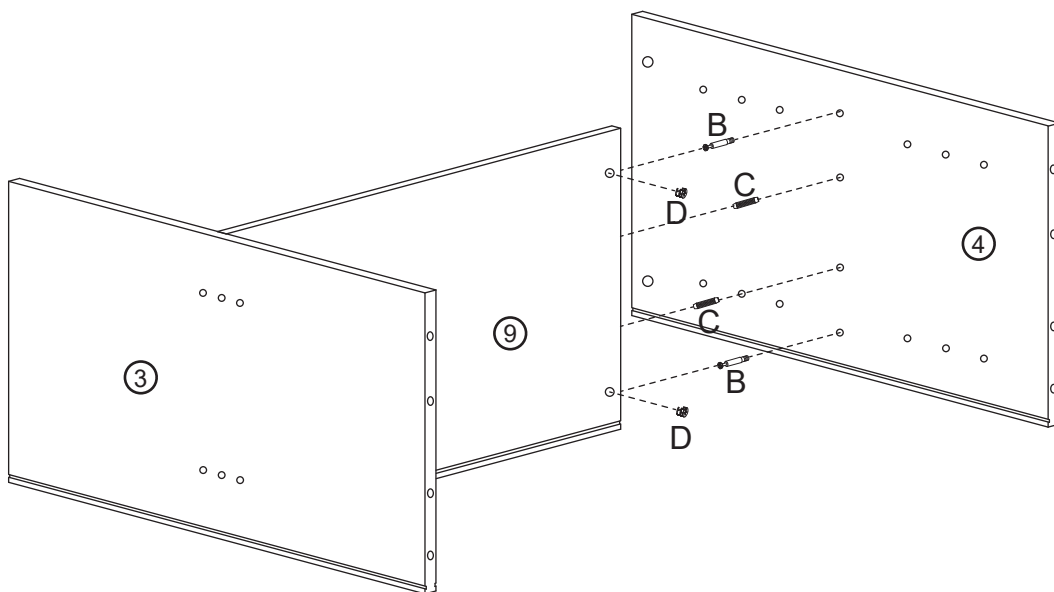
1.

B×2PCS	C×2PCS	D×2PCS
		
M6 x 35mm	Ø8 ×30mm	Ø15×12mm

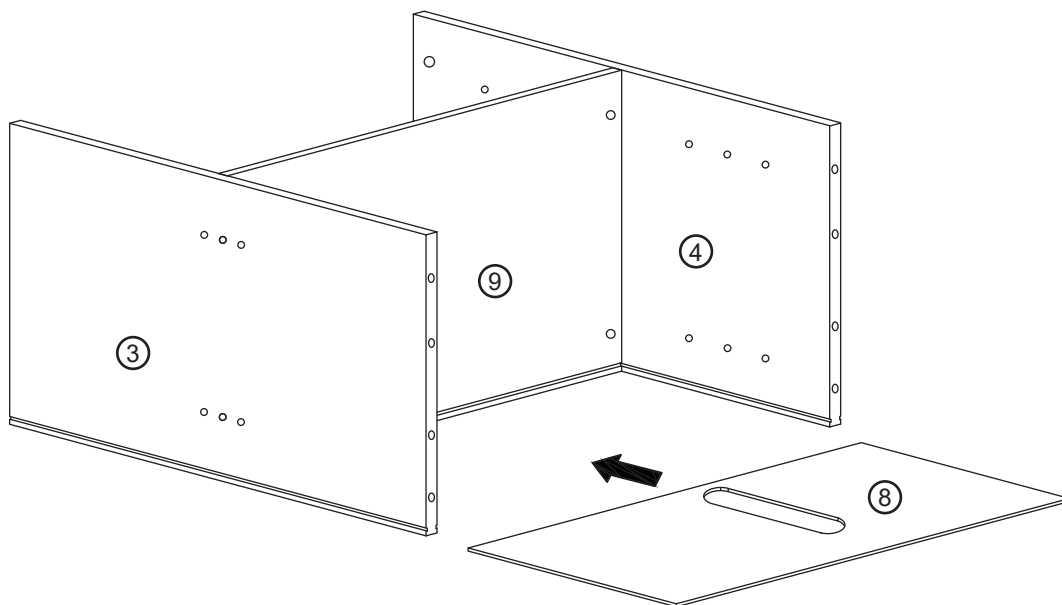


2.

B×2PCS	C×2PCS	D×2PCS
		
M6 x 35mm	Ø8×30mm	Ø15×12mm

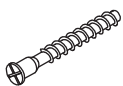


3.



A×4PCS

C×4PCS

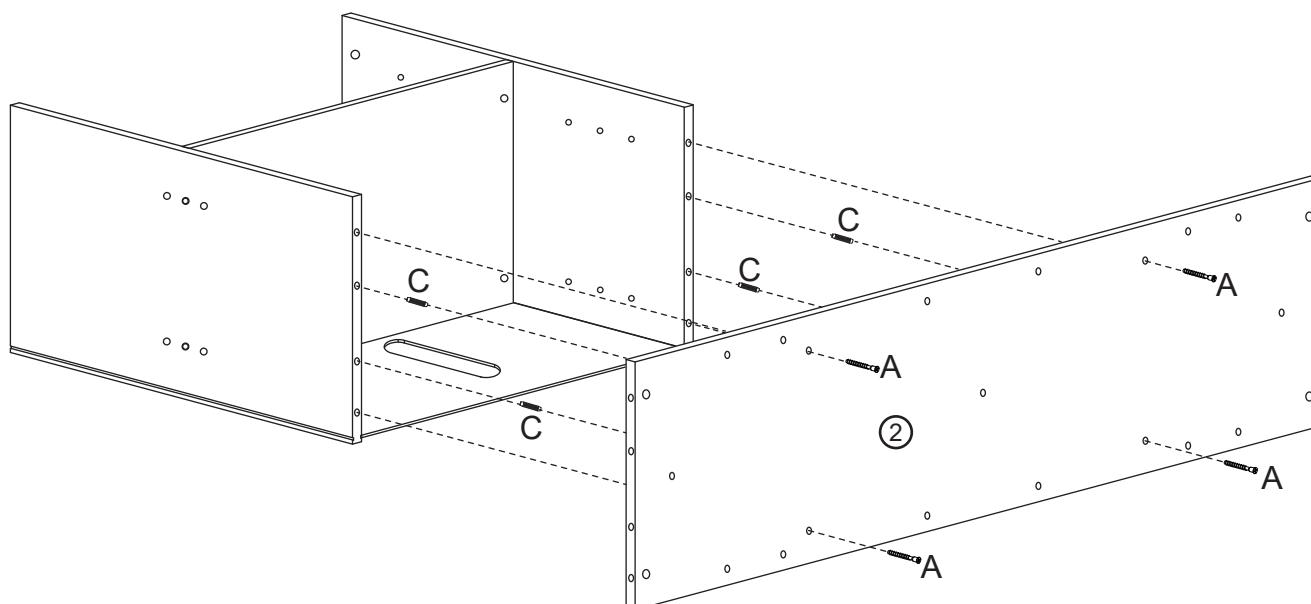


Ø5×40mm

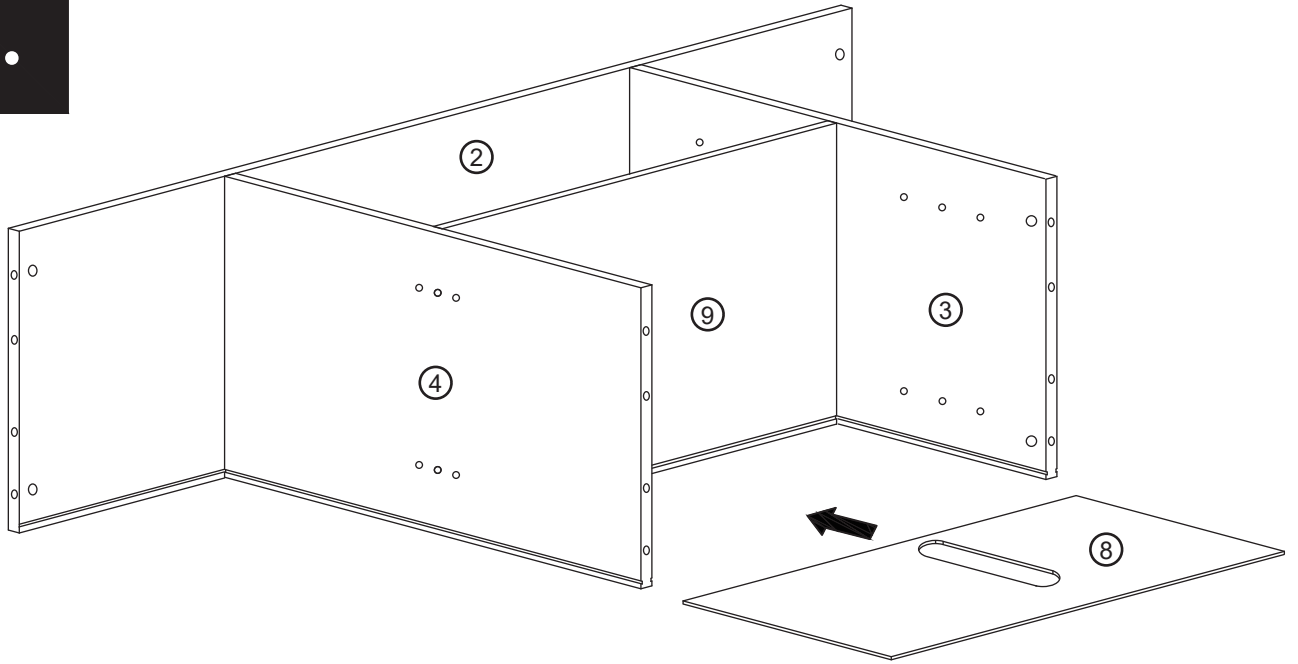


Ø8×30mm

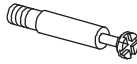


4.

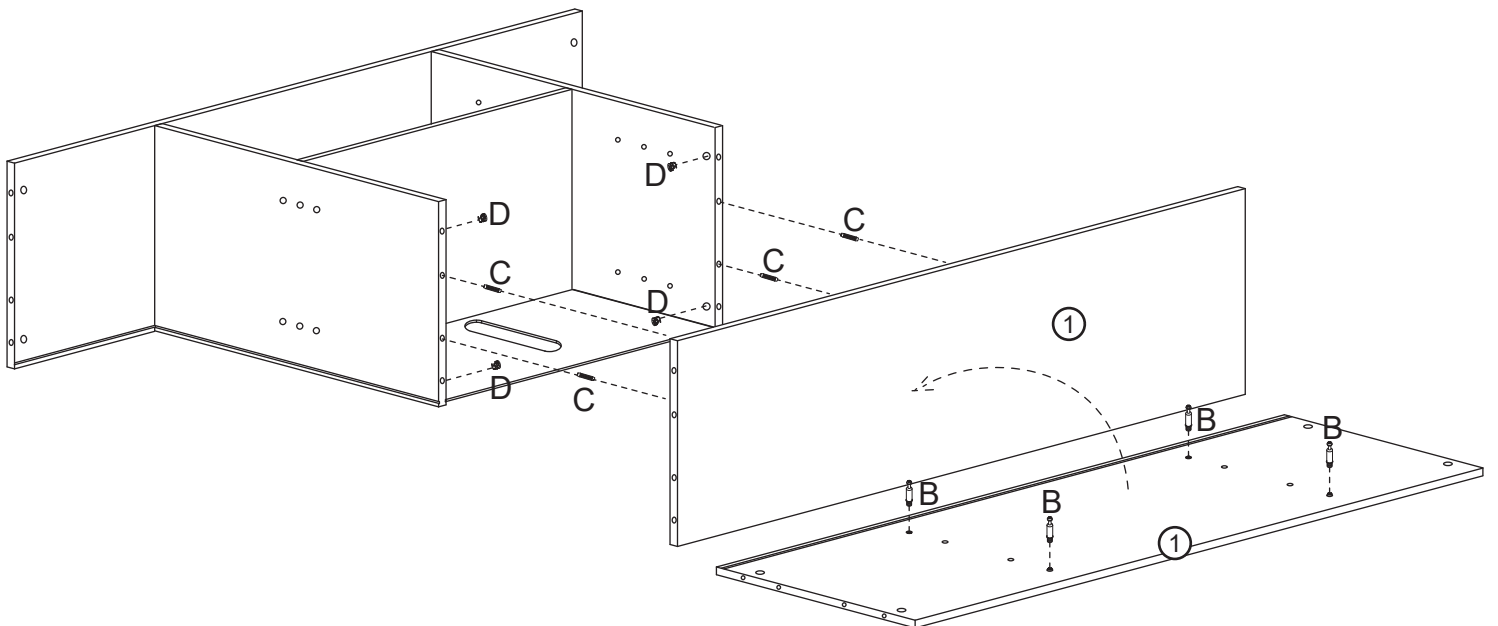


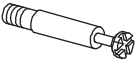


5.



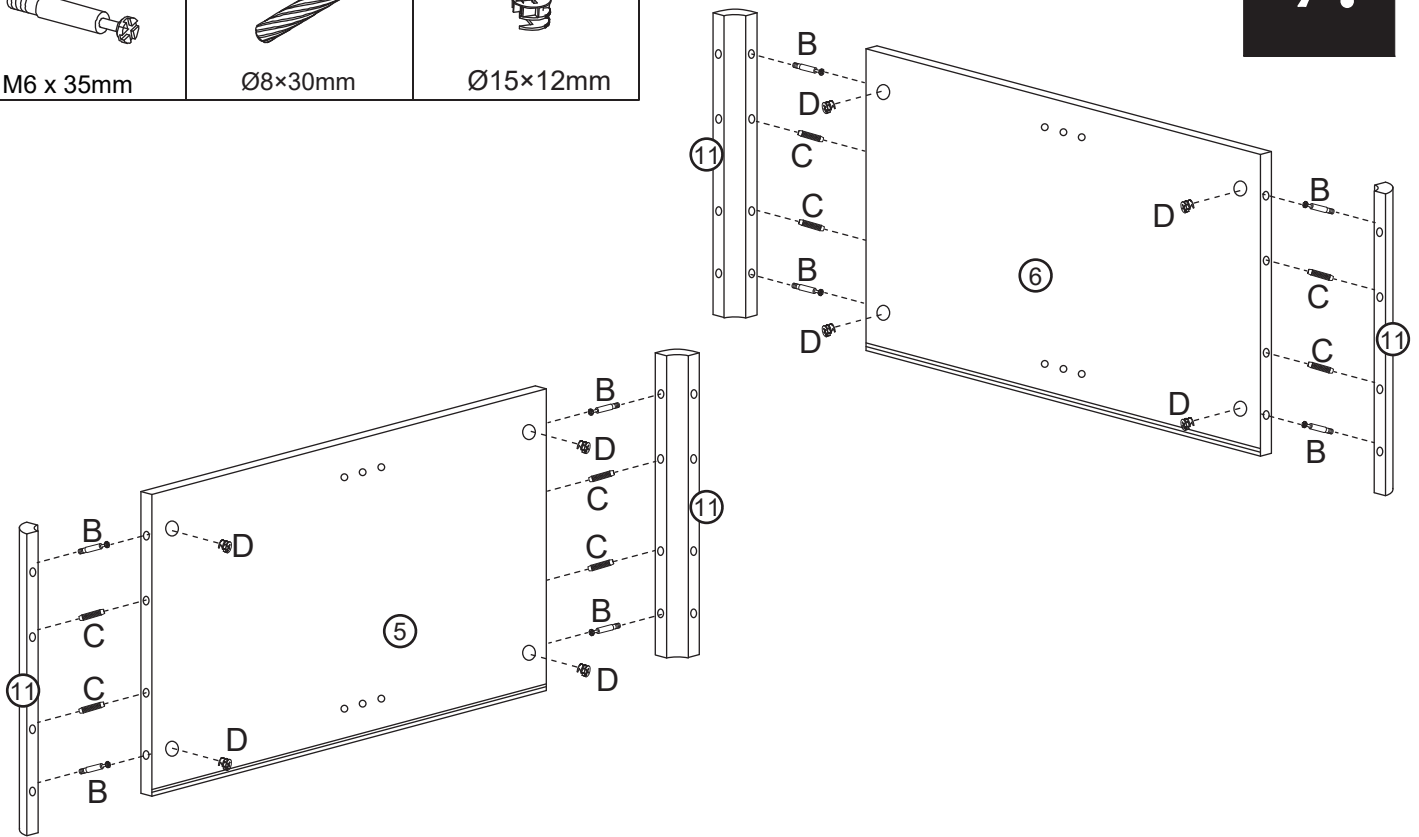
6.

B×4PCS	C×4PCS	D×4PCS
		
M6 x 35mm	Ø8×30mm	Ø15×12mm

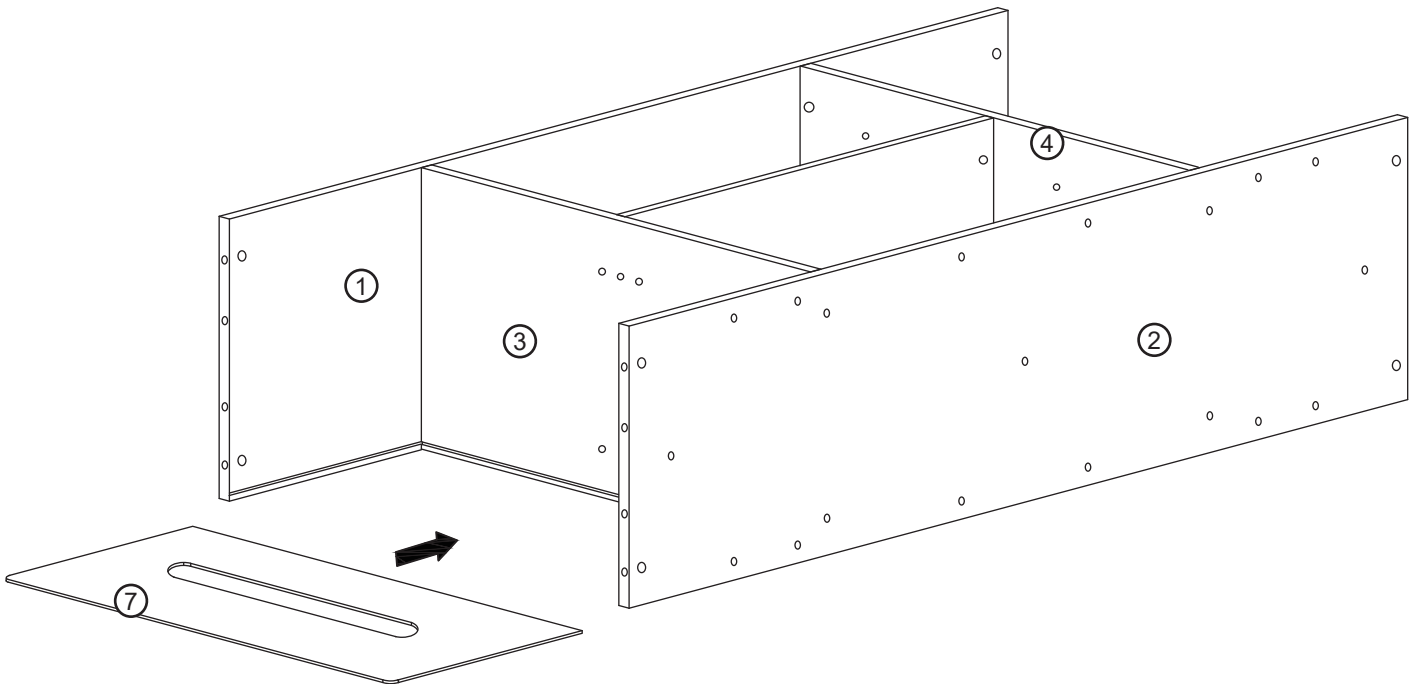


B×8PCS	C×8PCS	D×8PCS
		
M6 x 35mm	Ø8×30mm	Ø15×12mm

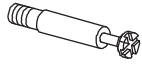


# 7.

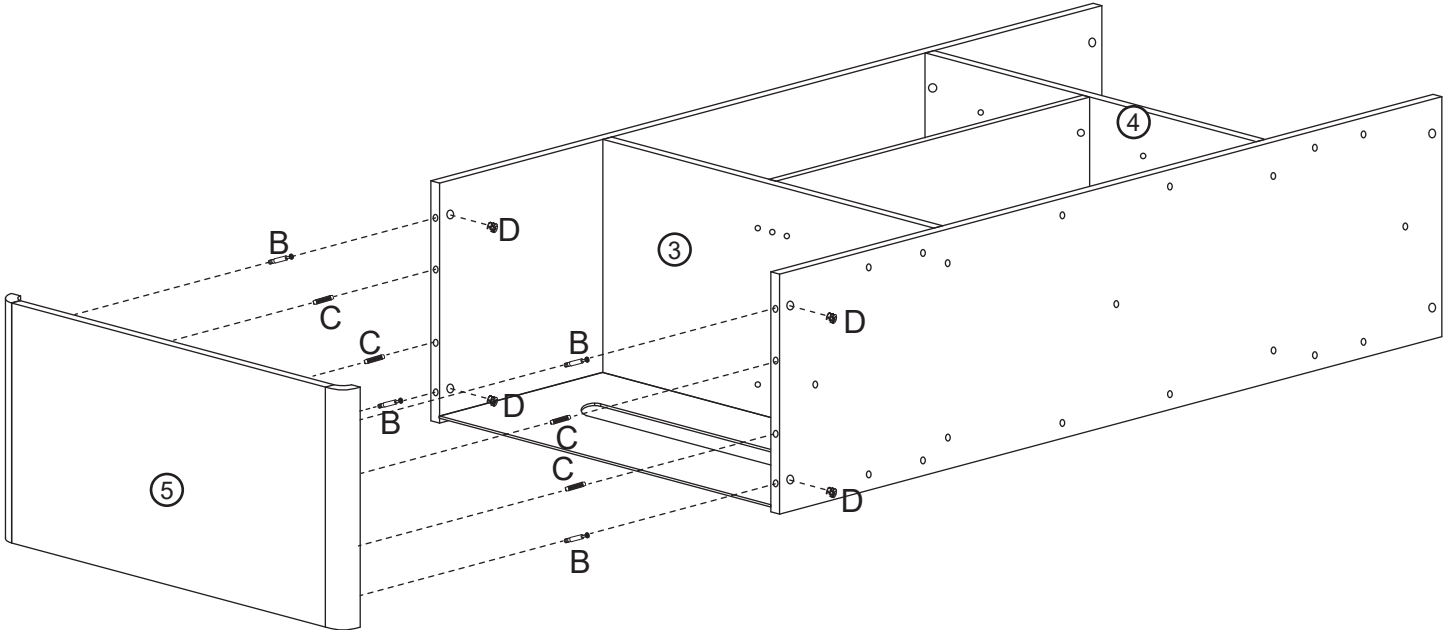


# 8.

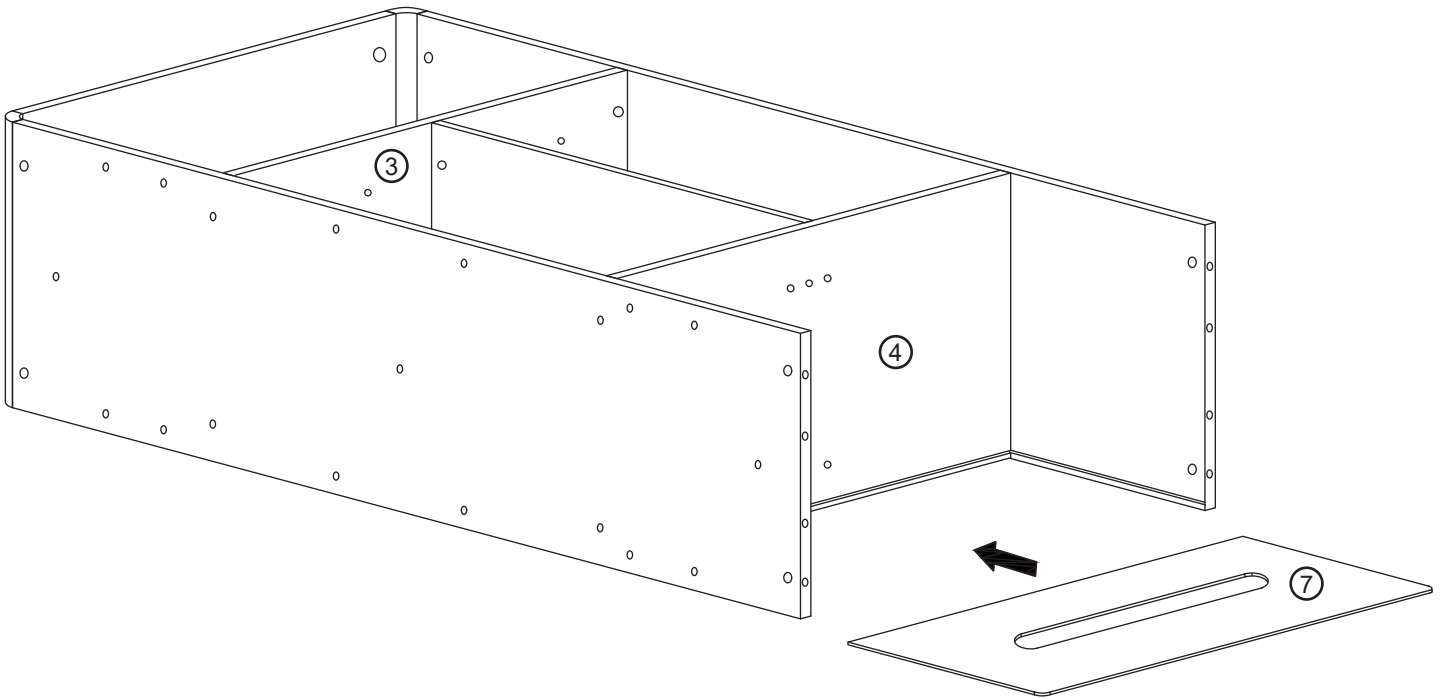


# 9.

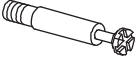


B×4PCS	C×4PCS	D×4PCS
		
M6 x 35mm	Ø8×30mm	Ø15×12mm

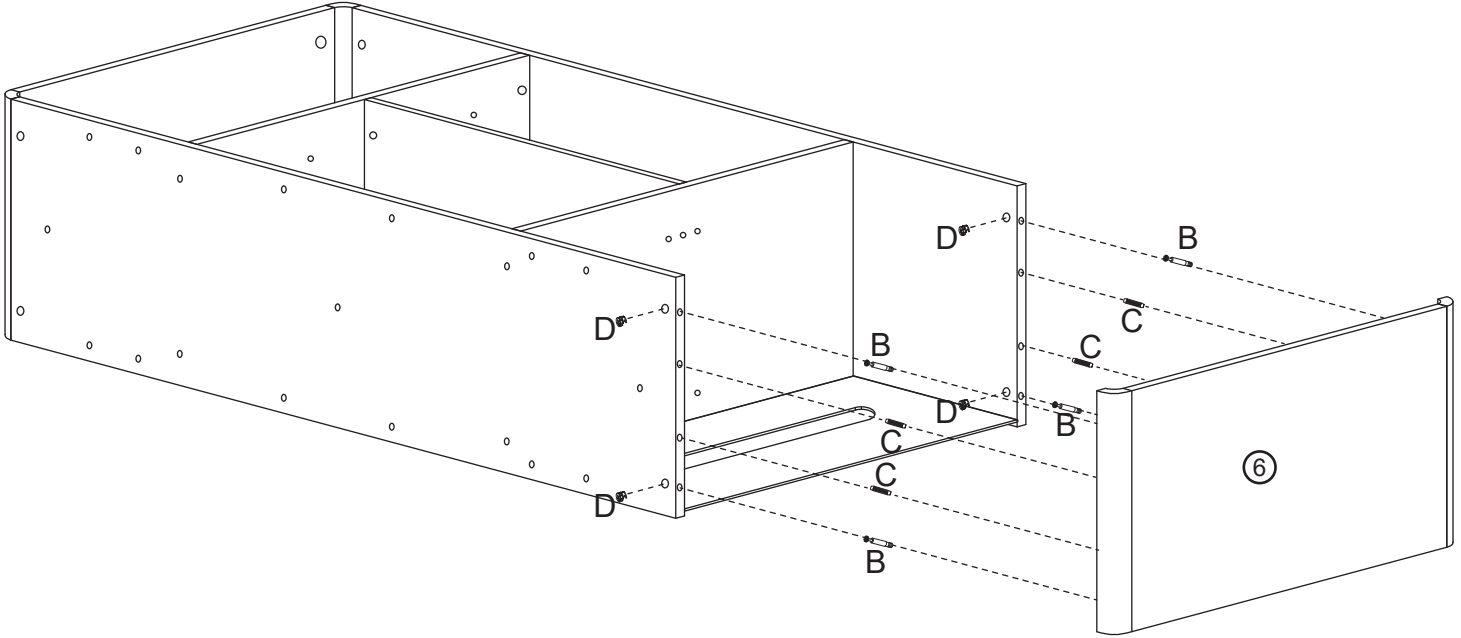


# 10.

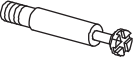



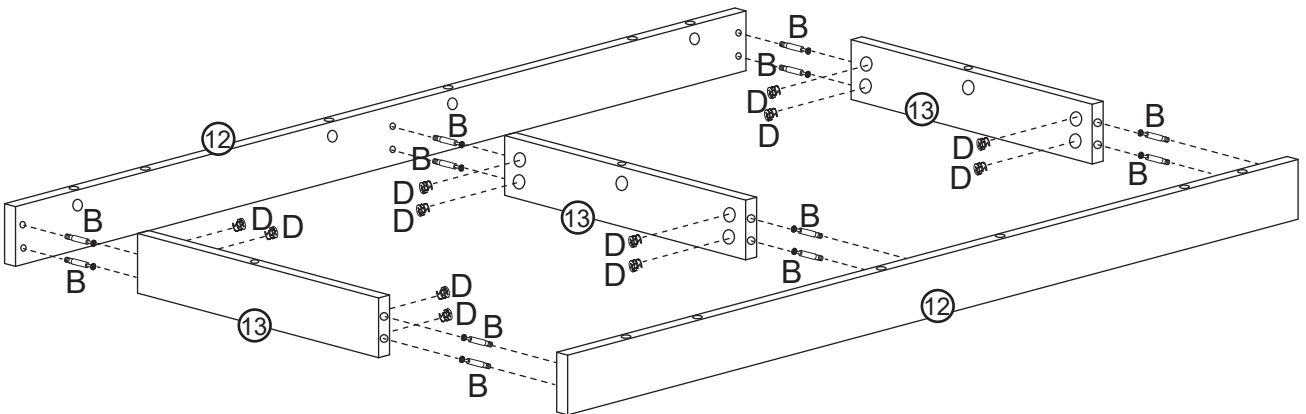
# 11.

B×4PCS	C×4PCS	D×4PCS
		
M6 x 35mm	Ø8×30mm	Ø15×12mm

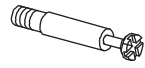




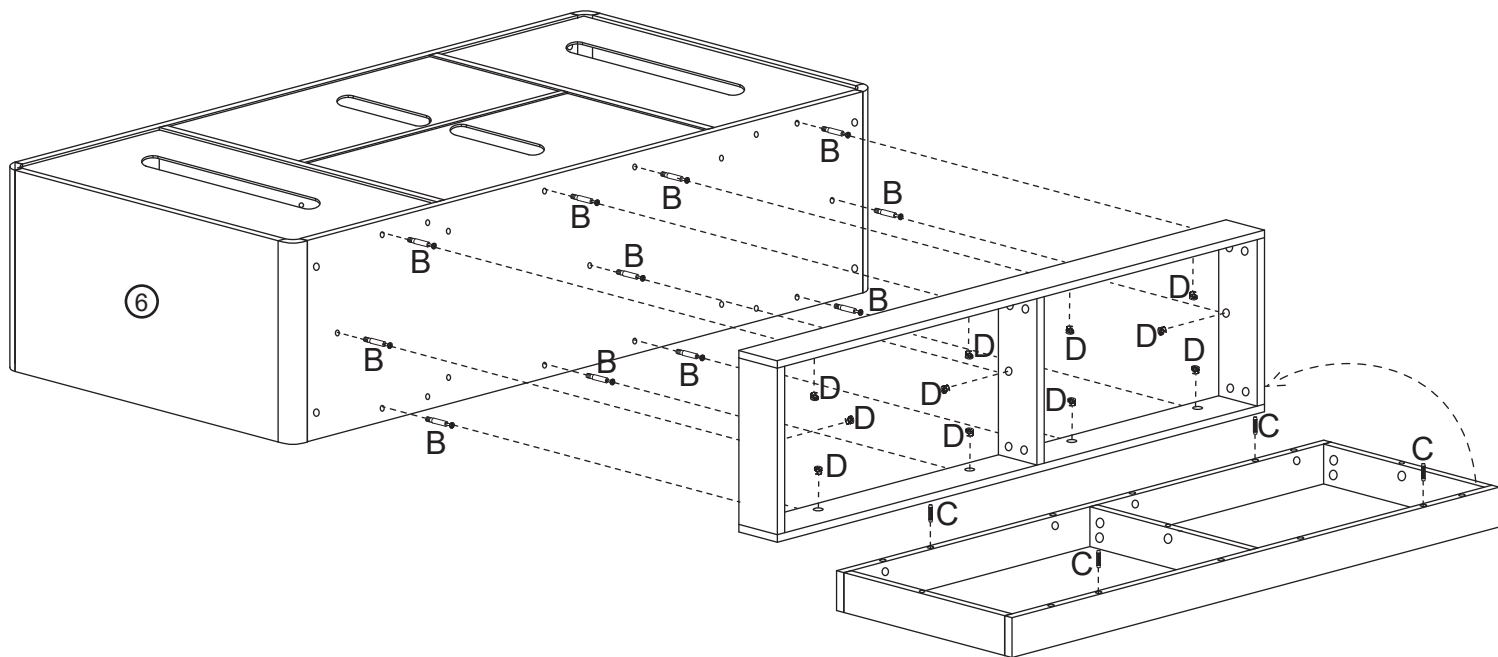
# 12.

B×12PCS	D×12PCS
	
M6 x 35mm	Ø15×12mm


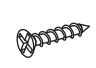


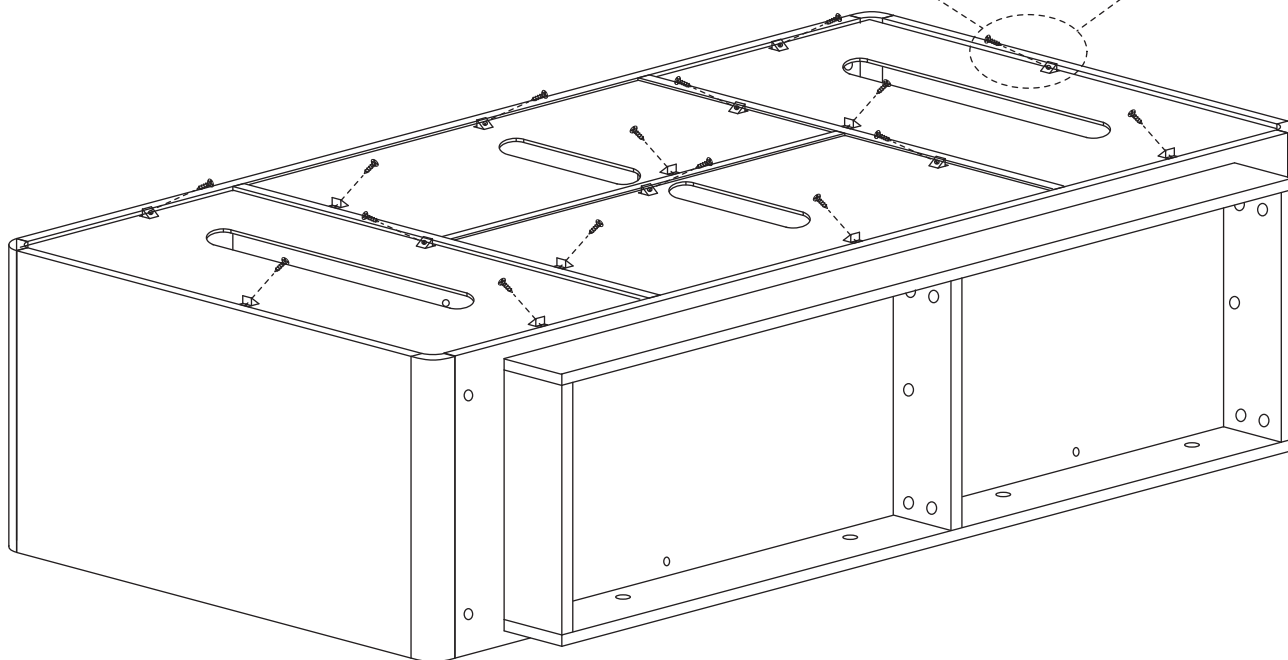
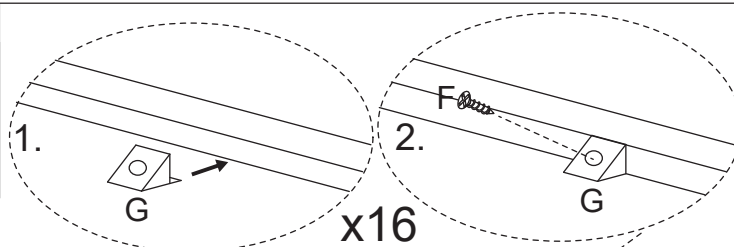
# 13.

B×11PCS	C×4PCS	D×11PCS
		
M6 x 35mm	Ø8×30mm	Ø15×12mm



# 14.

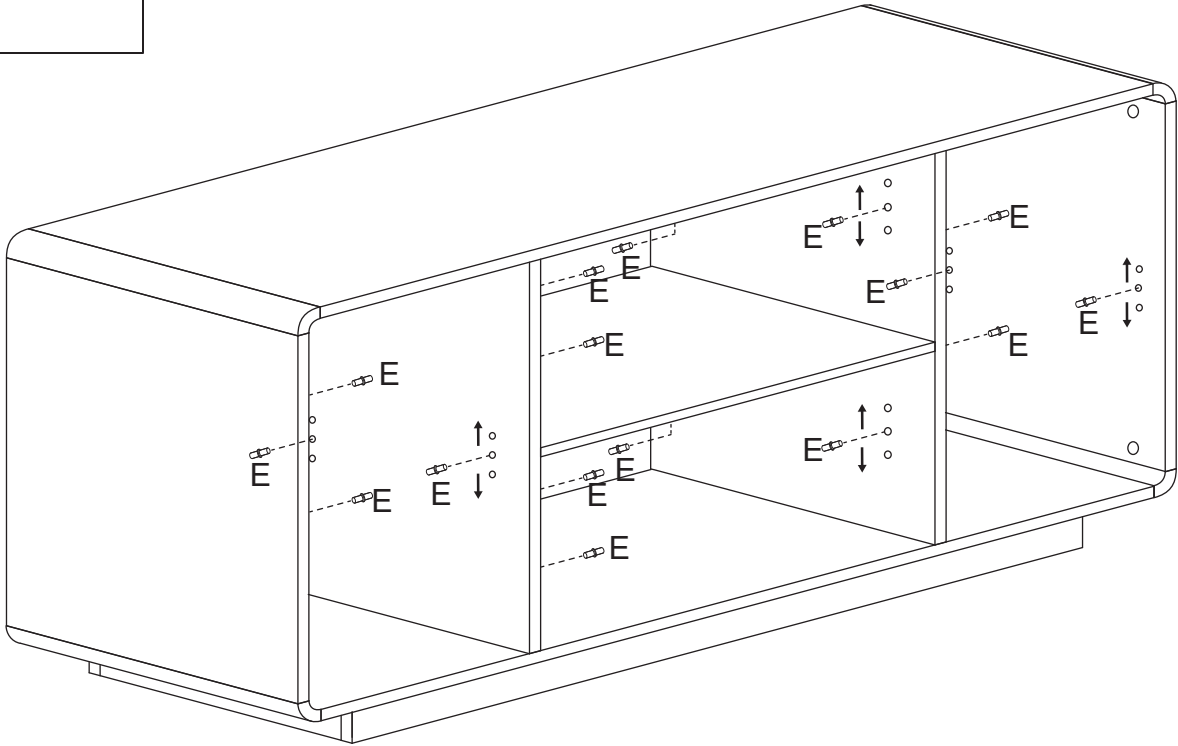
F×16PCS	G×16PCS
	
	Ø3.5×14mm



E×16PCS



15.



H×12PCS



16.

