



CHARCOAL BBQ GRILL

SAFETY WARNING

Notice:

- Never place more than 2.8kg charcoal on the firebox when in use.
- Never place more than 5kg on the front shelf. Do not lean on the front shelf.

Warning:

1. Only use this grill on a hard, level, non-combustible, stable surface capable of supporting the weight of the grill. Never use on wooden or other surfaces that could burn.
2. For outdoor use only. Do not operate grill indoors or in an enclosed area.
3. We recommend the use of a Charcoal Chimney Starter to avoid the dangers associated with charcoal lighting fluid. If you choose to use charcoal lighting fluid, only use lighting fluid approved for lighting charcoal. Carefully read manufacturer's warnings and instructions on the charcoal lighting fluid safety away from grill.
4. Do not use gasoline, kerosene or alcohol for lighting charcoal. Use of any of these or similar products could cause an explosion possibly leading to severe bodily injury.
5. Never add charcoal lighting fluid to hot or even warm coals as flashback may occur causing severe burns.
6. Please grill in an area where children and pets cannot come into contact with unit. Close supervision is necessary when grill is in use.
7. Do not leave grill unattended when in use.
8. Do not store or use grill near gasoline or other flammable liquids, gases or where flammable vapors may be present.
9. Use with caution when adjusting charcoal grate and cooking grate height. Handle may be hot when in use.

10. To avoid burns:

DO NOT attempt to move the grill.

Brace grill so the unit does not accidentally move.

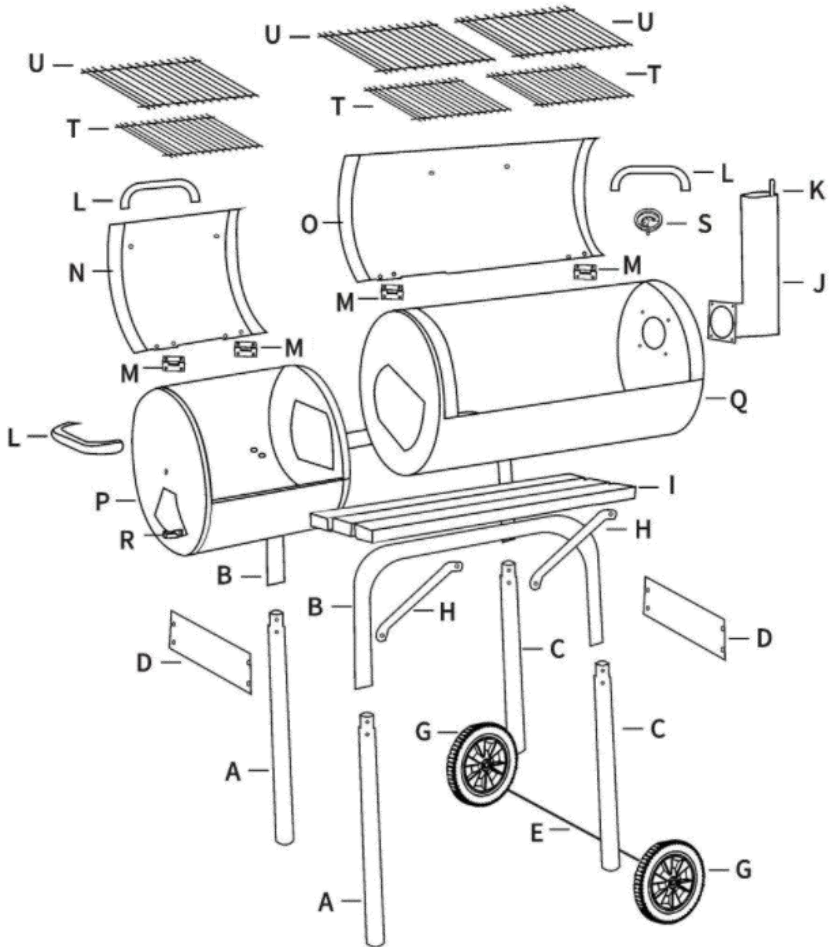
Wear protective gloves or oven mitts.

DO NOT touch any hot grill surfaces.

DO NOT wear loose clothing or allow hair to come in contact with grill.

11. Do not exceed a temperature of 350°C. Do not allow charcoal and/or wood to rest on the walls of grill. Doing so will greatly reduce the life of the metal and finish of your grill.
12. Never leave coals and ashes in grill unattended. Before grill can be left unattended, remaining coals and ashes must be removed from grill. Use caution to protect yourself and property. Carefully place remaining coals and ashes in non-combustible metal container and saturate completely with water. Allow coals and water to remain in metal container 24 hours prior to disposing.
13. After each use, clean the grill thoroughly and apply a light coating of vegetable oil to the interior to prevent rusting.
14. Store the grill out of reach of children and in a dry location when not in use.
15. Remove all stickers and labels before first use.
16. Properly dispose all packaging material.
17. Recommend: the barbecue shall be heated up and the fuel kept red hot for at least 30 min prior to the first cooking on the barbecue.
18. The offset firebox only should be used for smoking not for barbecue.

PART LIST



COMPONENTS



A: Long Leg (x2)



B: Leg (x2)



C: Short Leg (x2)



D: Right Leg Brace
(x2)



E: Axle (x1)



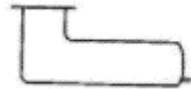
G: Wheel (x2)



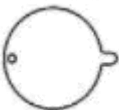
H: Front Table Support
(x2)



I: Front Shelf (x1)



J: Chimney (x1)



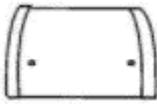
K: Chimney Damper (x1)



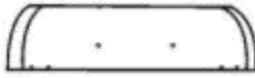
L: Push Handle (x3)



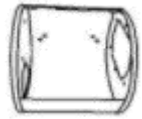
M: Hinge (x4)



N: Small Cover (x1)



O: Big Cover (x1)



P: Small Fire Box
(x1)



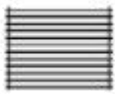
Q: Big Fire Box (x1)



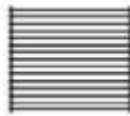
R: Firebox Air Shutter
(x1)



S: Thermometer
(x1)



T: Charcoal Grate
(x3)



U: Cooking Grill (x3)



①: Screw (x21)
M6 x 14



②: Screw (x16)
M4 x 10



③: Nut (x27)
M6



④: Nut (x16)
M4



⑤: Nut (x2)
M8



⑥: Screw (x14)
M6 x 40mm



⑦: Smokestack
Spring (x1)



⑧: Nut (x1)
M5

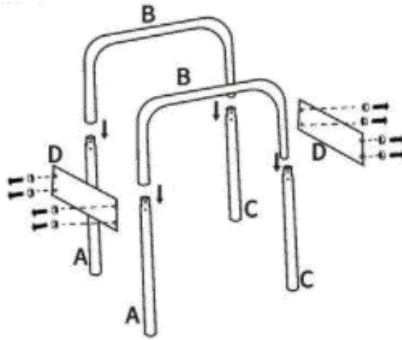


⑨: (x2)

INSTALLATION

Step 1

Attach legs (B) to short legs (C). Then attach ring leg braces (D) to the assembled part with nuts (③) and screws (⑥).



- ⑥ M6x40 screw:8PCS
- ③ M6 Nut:8PCS

Step 2

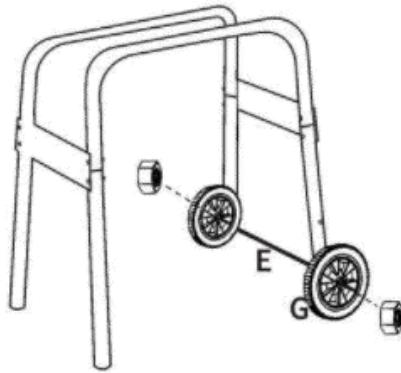
Attach ⑨ to the bottom of the legs.



- ⑨ 2PCS Foot plug

Step 3

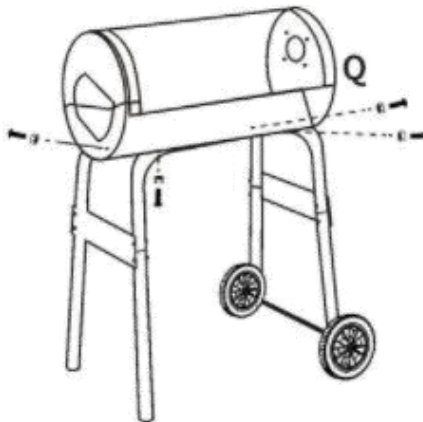
Attach two wheels (G) to the assembled part of step 2 with axle (E) and nuts (⑤).



⑤ M8 Nut:2PCS

Step 4

Attach the big fire box (Q) to the top of the grill with screws (⑥) and nuts (③) as shown.

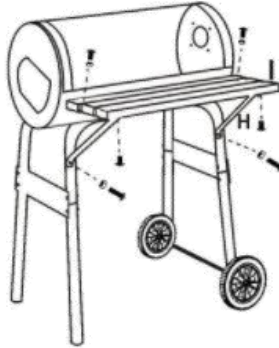


⑥ M6x40 screw:4PCS

③ M6 Nut:4PCS

Step 5:

Attach the front shelf (I) and front table supports (H) to the corresponding position with screws (⑥ and ①) and nuts (③).



- ⑥ M6x40 screw:2PCS
- ① M6x14 screw:4PCS
- ③ M6 Nut:4PCS

Step 6:

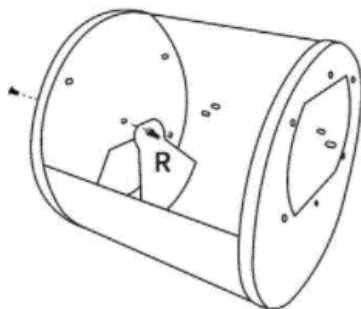
Attach chimney damper (K) to the chimney (J). Then attach chimney (J) to big fire box (Q) with screws (①), nuts (③), smokestack springs (⑦) and nuts (⑧).



- ① M6x14 screw:4PCS
- ⑦ Spring 1PCS
- ③ M6 Nut:4PCS
- ⑧ M5 Nut:1PCS

Step 7:

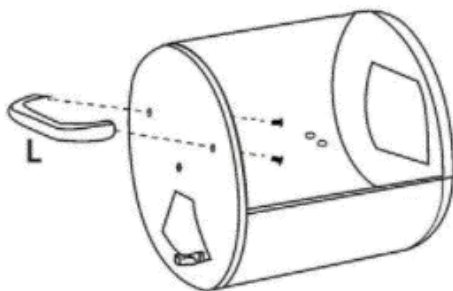
Attach the firebox air shutter (R) to small fire box (P) with a screw (①) and a nut (③).



- ① M6x14 screw:1PCS
- ③ M6 Nut:1PCS

Step 8:

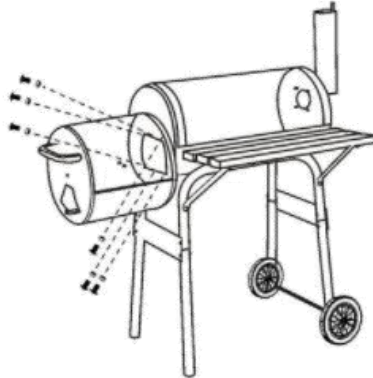
Attach the push handle (L) to the small fire box (P) with screws (①).



- ① M6x14 screw:2PCS

Step 9:

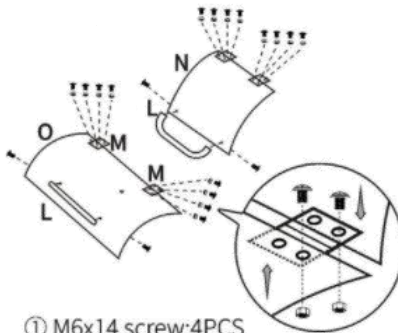
Attach the assembled part of step 8 to the assembled part of step 6 with screws (①) and nuts (③) as shown.



- ① M6x14 screw:6PCS
- ③ M6 Nut:6PCS

Step 10:

Attach the hinges (M) and push handle (L) to the big cover (O) with screws (① and ②) and nuts (④). Attach hinges (M) and push handle (L) to small cover (N) with screws (① and ②) and nuts (④).



- ① M6x14 screw:4PCS
- ② M4x10 screw:16PCS
- ④ M4 Nut:16PCS

Step 11:

Attach charcoal grates (T) and cooking grills (U) to the corresponding positions of the grill as shown in the picture.



Step 12:

Assembly completed.



STORAGE & CARE

- Put on protective gloves -- wait until the charcoal and ash have completely burned and cooled down -- and pour the ash into a metal container. Use water to douse the fire and keep metal containers away from flammable objects. Dampen the floor under and around the oven to extinguish the fire completely.
- To avoid rust: clean the oven after each use, cover the oven and store in a dry place.
- Store products out of reach of children. Products should be kept away from where inflammable objects, liquids, gases and explosive are stored and used.

MAINTENANCE

- Maintenance shall be carried out by professionals.
- When replacing parts, original parts should be used.
- **Warning:** The use of non-original parts or private replacement of parts will void the warranty, and will cause safety risks!