








# MAINTENANCE AND WARNINGS



## Before You Start

### ***Please follow the steps below:***

-  Un box the package and check if all parts and accessories are complete.
-  Place the parts of the sofa on a flat surface.
-  Ensure the sofa is placed on a stable, flat surface to prevent it from tilting.
-  Avoid placing sharp or heavy objects directly on the sofa to prevent tears or deformation.
-  Follow the assembly instructions provided to attach the cushions, backrest, and armrests securely.
-  Clean the installation area in advance and ensure the ground is level and there is enough space to avoid damaging the furniture or making installation difficult.
-  Lay a protective mat on the ground to prevent scratching the floor during installation.

### ***After-Sales Service***

- If you encounter any issues or need technical support during use, please contact our after-sales team. We offer long-term maintenance and warranty services.



## Precautions

- ⚠ This sofa is for indoor use only. Do not expose it to outdoor elements or high-humidity environments.
- ⚠ Keep the sofa away from high heat or open flames to prevent fire hazards.
- ⚠ Do not allow children or pets to play on the sofa unsupervised to avoid accidents.



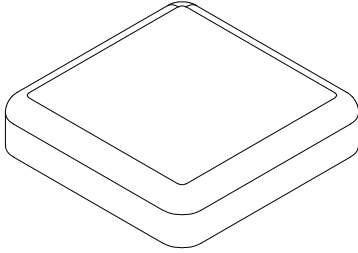
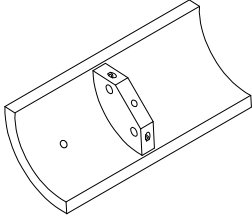
## Safety Warnings

- ⚠ If you notice any loose or damaged parts, stop using the sofa immediately and contact customer service.
- ⚠ Do not attempt to disassemble or replace any components yourself, as this may affect the stability and safety of the product.

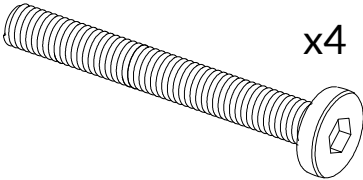
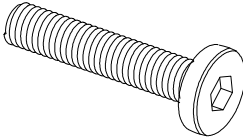
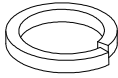
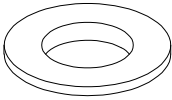

### ***Daily Maintenance***

- Regularly clean the surface of the sofa with a soft cloth to prevent dust accumulation.
- For fabric sofas, it is recommended to vacuum weekly and clean the fabrics as needed.
- For leather sofas, use a leather cleaner regularly to clean and maintain the material. Avoid direct sunlight to prevent leather aging.
- In case of spills, immediately blot the area with a clean, dry cloth.

## Parts List

<p><b>A</b></p>  <p>x1</p> <p>Seat cushion</p>	<p><b>B</b></p>  <p>x4</p> <p>Legs</p>
---	--

## Hardware List

<p><b>1</b></p>  <p>x4</p> <p>D5\16"x3.35"</p>	<p><b>2</b></p>  <p>x8</p> <p>D5\16"x2"</p>	<p><b>3</b></p>  <p>x12</p>
<p><b>4</b></p>  <p>x12</p>	 <p>x1</p>	

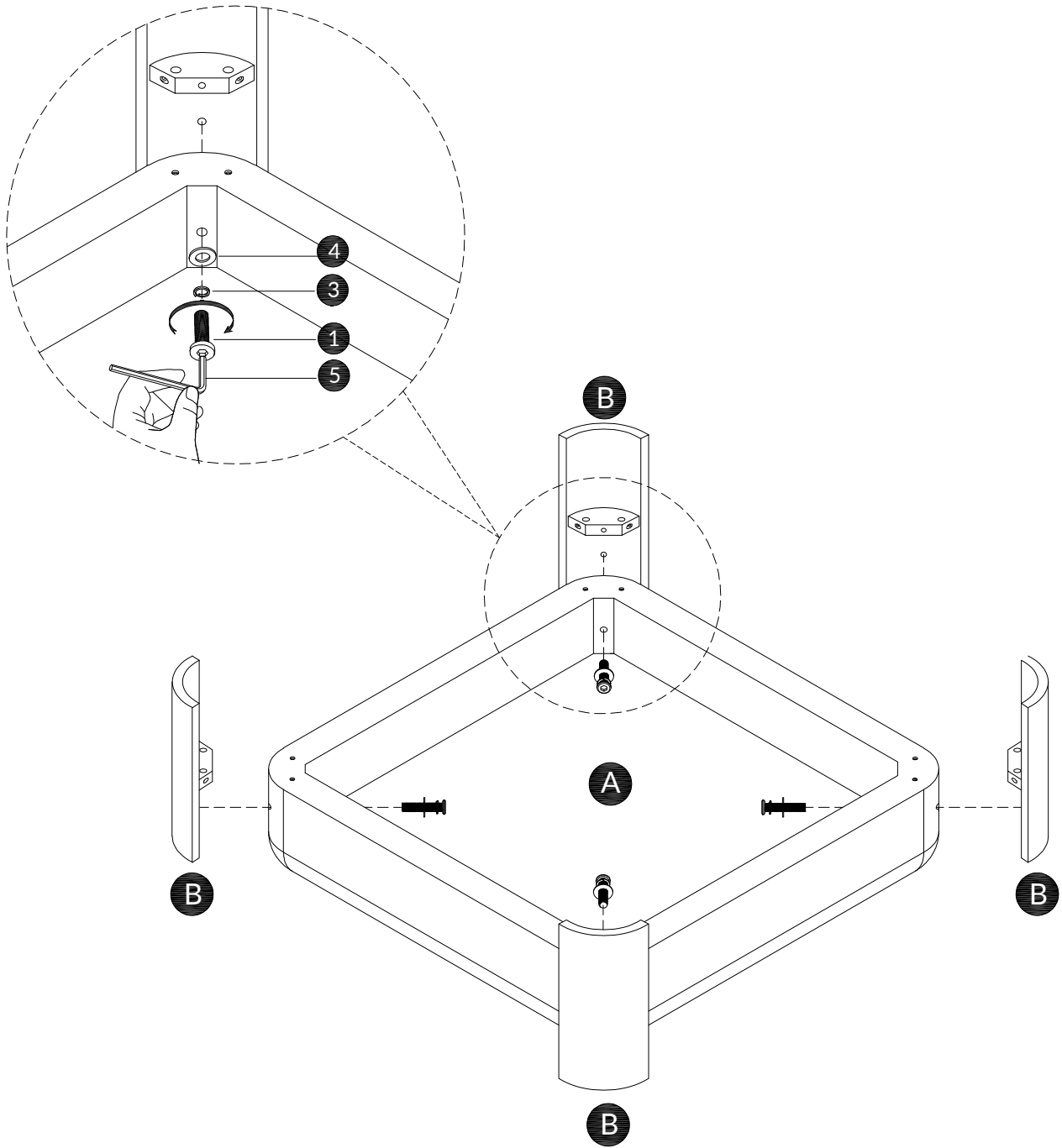


Installation:  
15minutes.



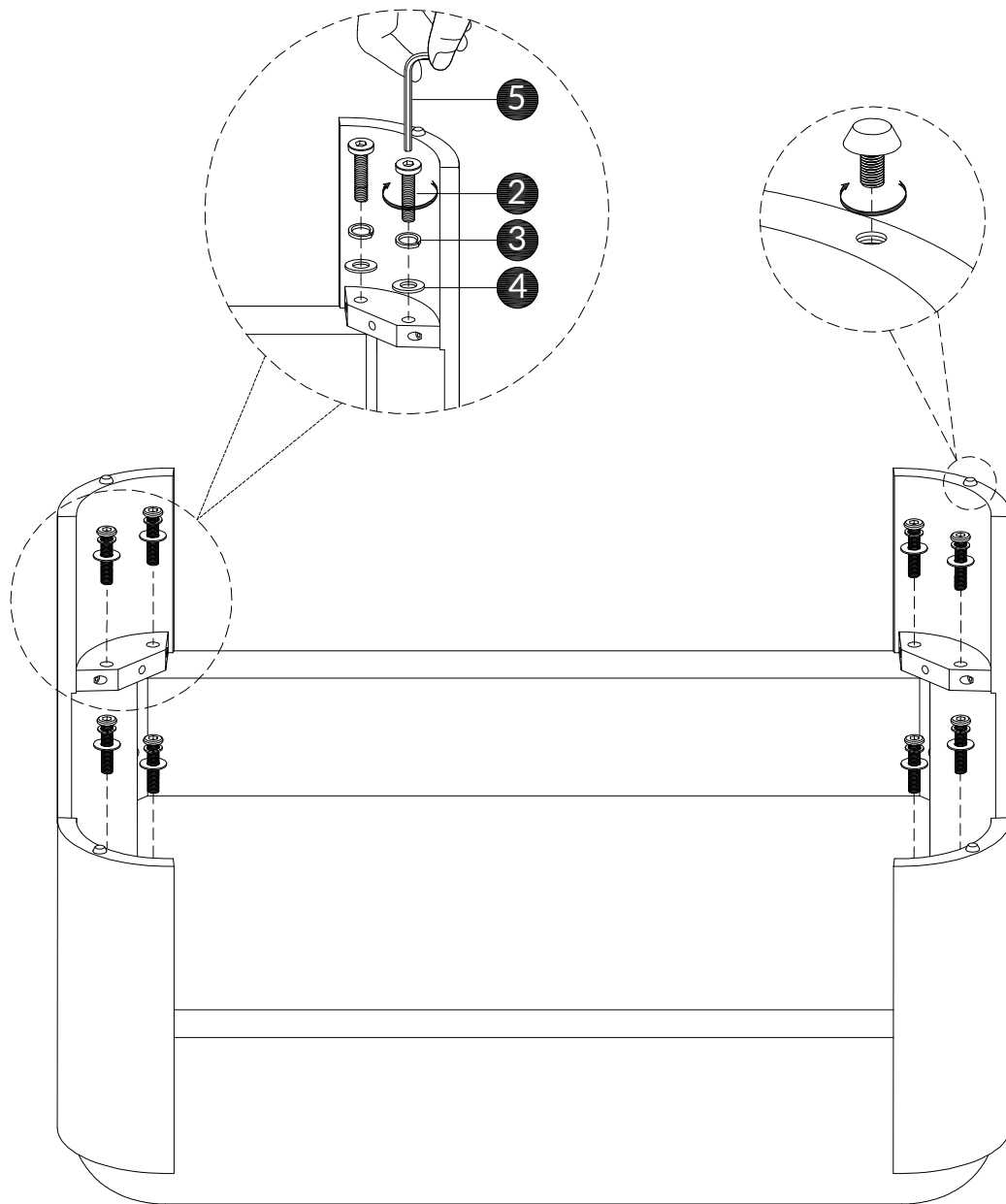
Two Person

# Step 1



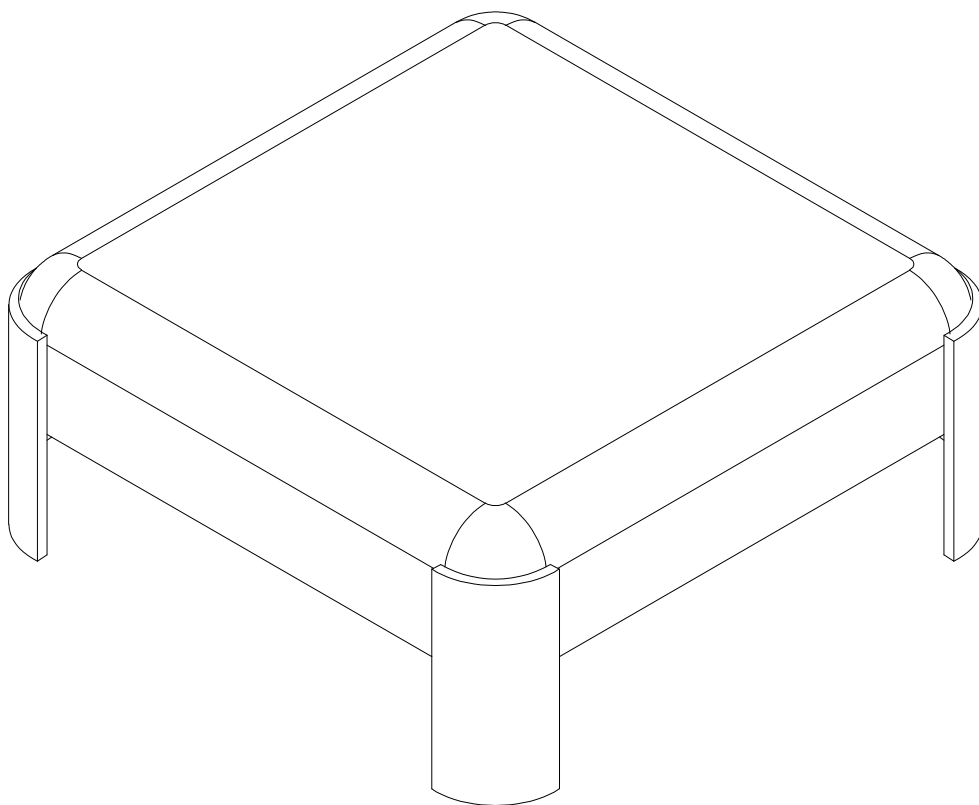
4	x4	3	x4	1	x4	5	x1
				D5\16"xL3.35"			

## Step 2

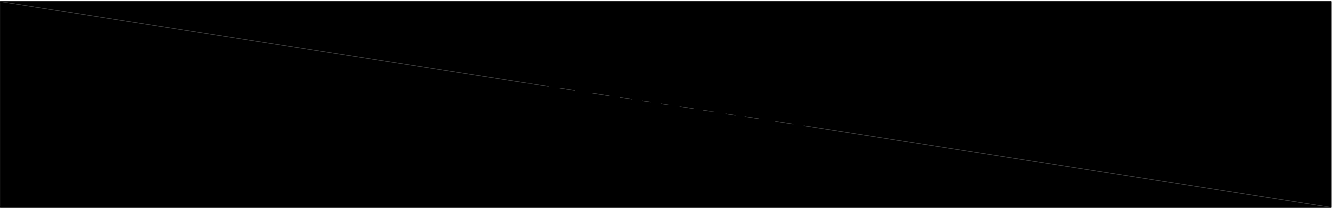


4	x8	3	x8	2	x8	5	x1
				D5\16"xL2"			

**Step 6**



Assembly completed.

- 
- We strive to offer quality products, and we also try our best to satisfy every customer who orders from us with products or services as needed.
  - We provide 30 days warranty starting from the time you receive the item. Each customer must provide a record of their orders such as the order number, or item receipt for any items that are out of the warranty period you may also still receive.
  - Replacement parts by purchasing them from our company if they are available.
  - For return, please check the return policy with the retailer or market place you bought from