



X6

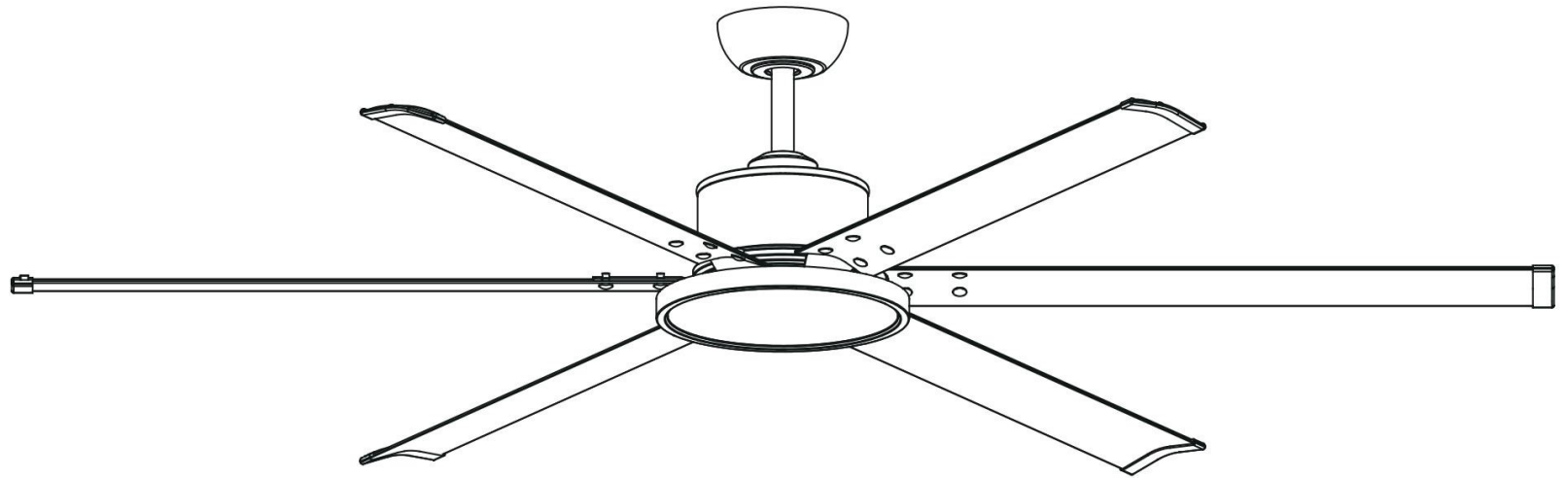
Technical specifications

Ceiling Fan Light

Input: AC 120V 60Hz

Size&Power:

72 inch/84W (60+24W)



WARNING



✓ ON/OFF switch



✗ Dimmable switch

Disconnect power prior to installation, inspection, or removal
Do not touch when light is on or when it is hot
If there is any problem with the fixture, turn power off and do not attempt to repair unless you are a qualified technician
Do not expose to water or rain

Packing List



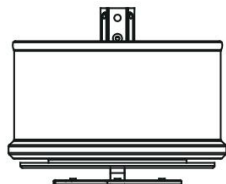
Hanger Bracket



Coupling Cover



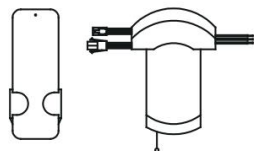
Canopy



Fan Motor Assembly



Coupling Cover



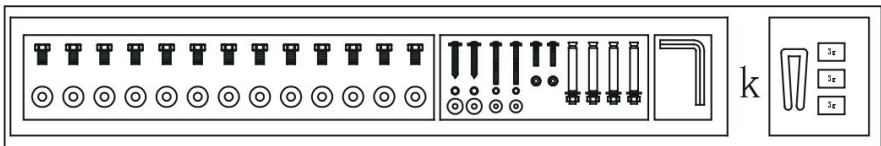
Remote Control



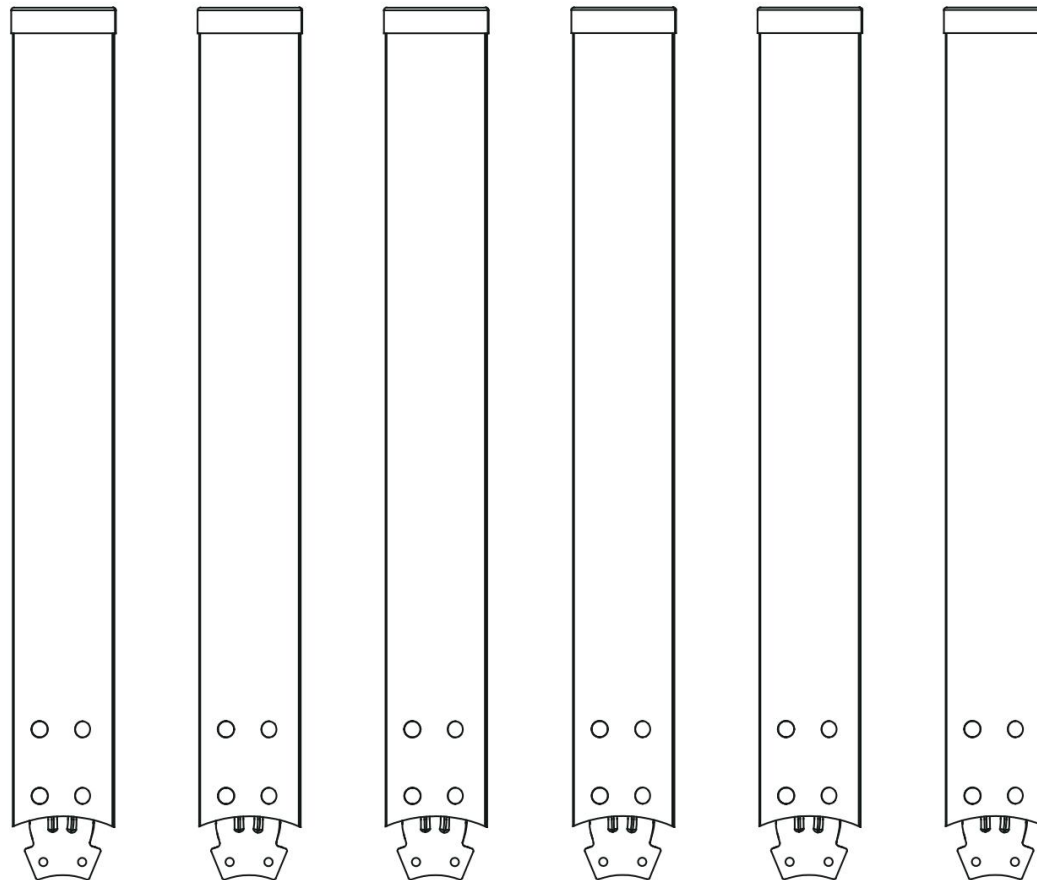
Downrod



Lamp



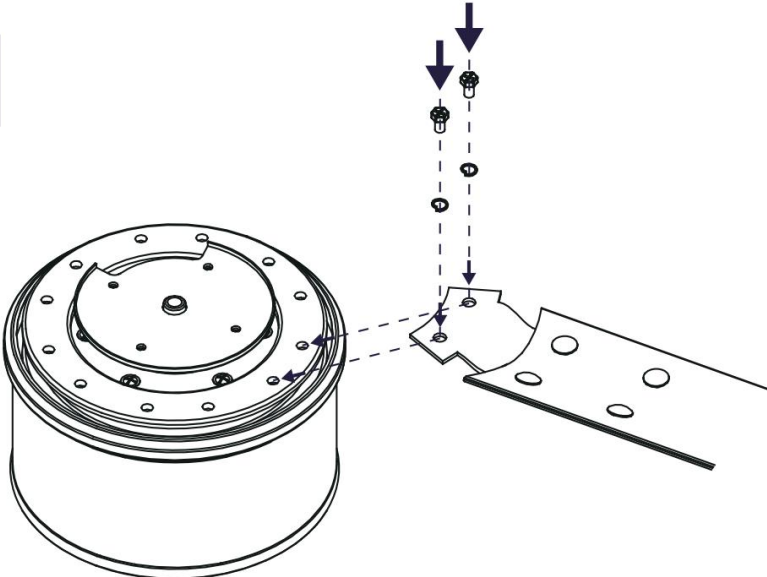
Screw Pack



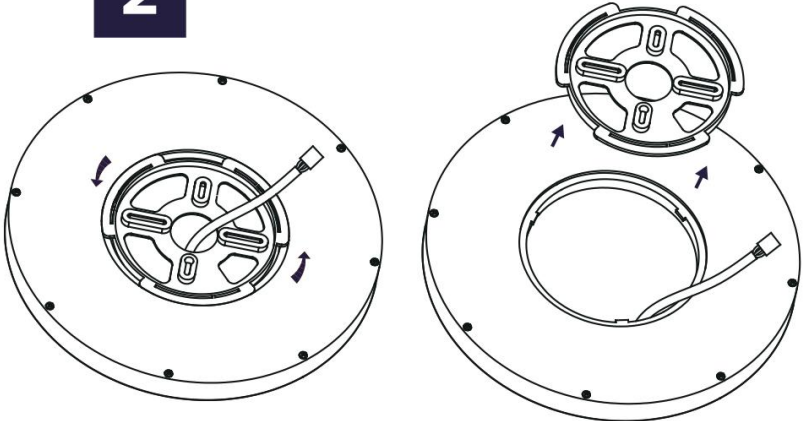
Blade

Installation Guide

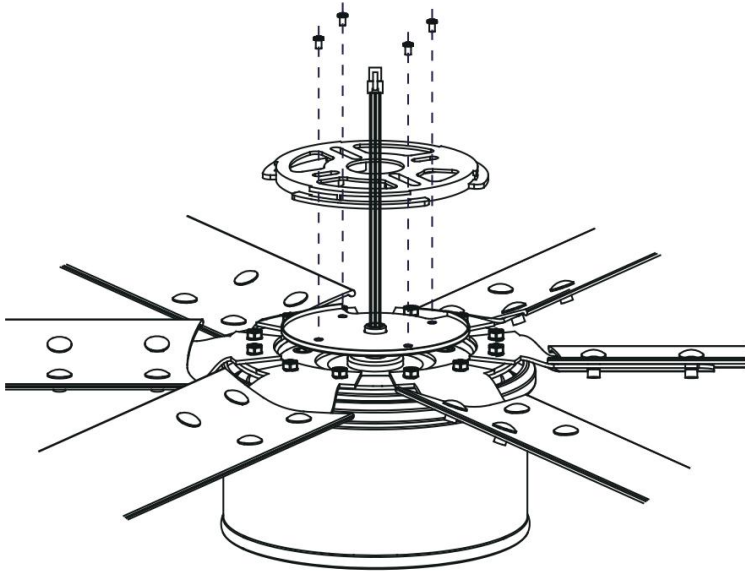
1



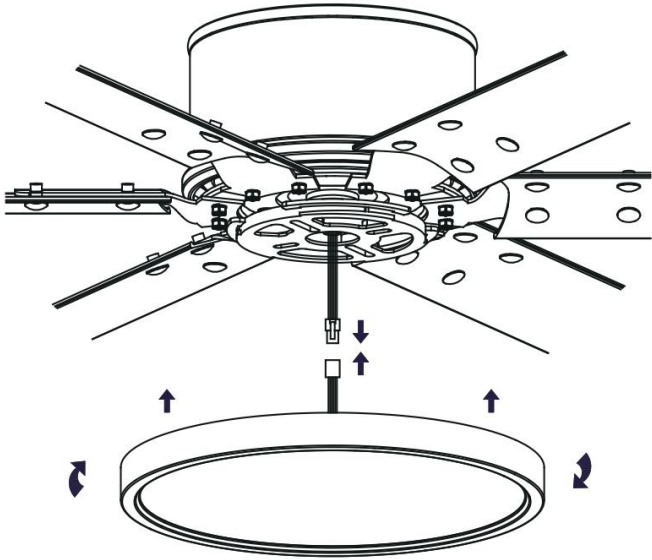
2



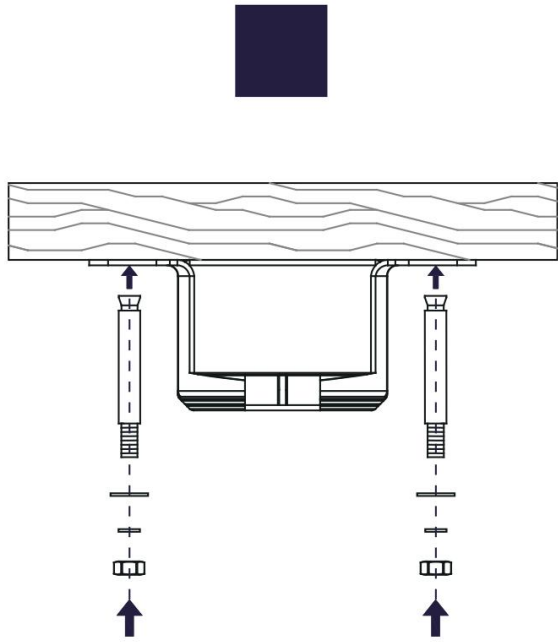
3



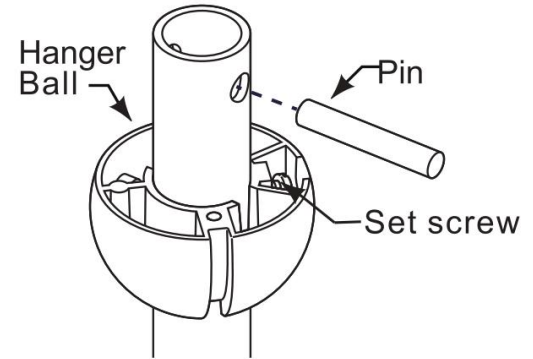
4



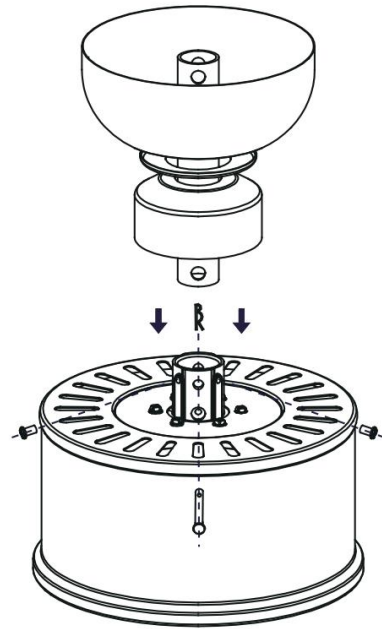
5



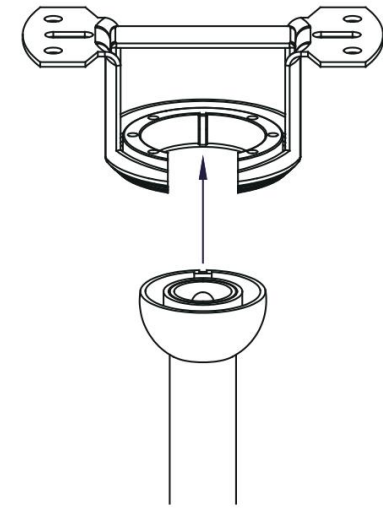
6



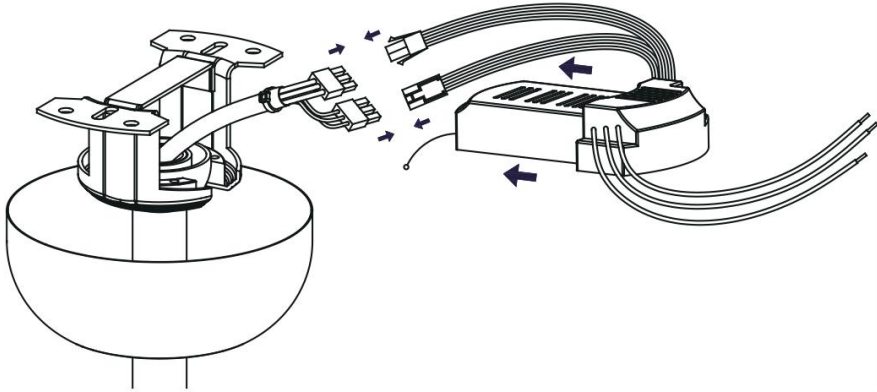
7



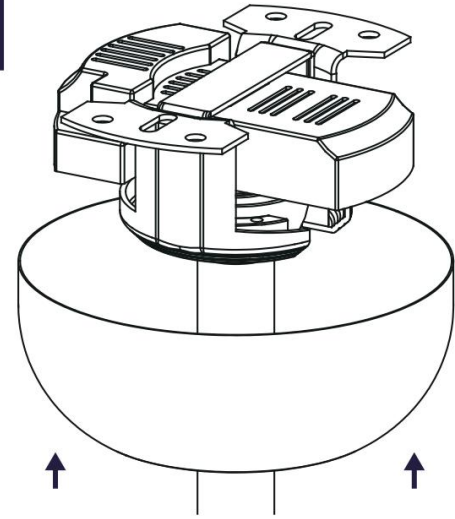
8



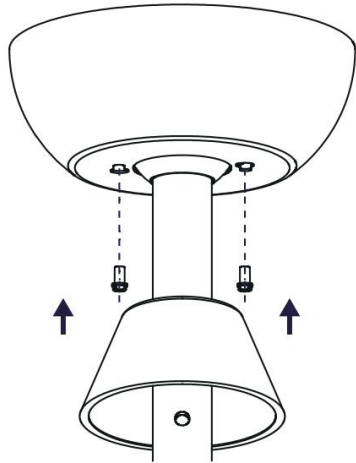
9



10



11

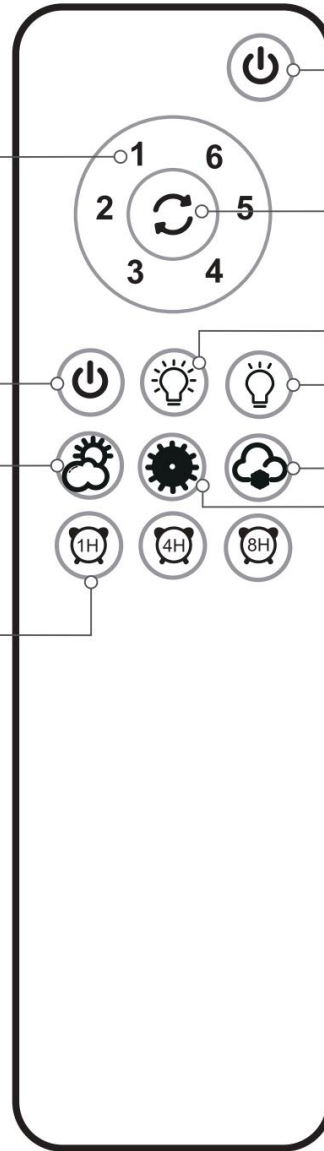


Wind speed
(1 to 6 , slowest to fastest)

Light ON/OFF

Warm White

Timer of Fan
(1/4/8 hour)



FAN ON/OFF

Fan forward/reverse
Switching

Brightness +

Brightness -

Cool White

Neutral White/Re-pair Button After
powered on, long press this button
for 5 seconds to re-pair the remote
control with the ceiling fan light



Battery required:
2pcs AAA battery(Not included)