









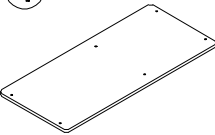
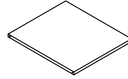
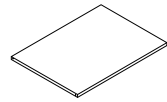











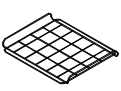


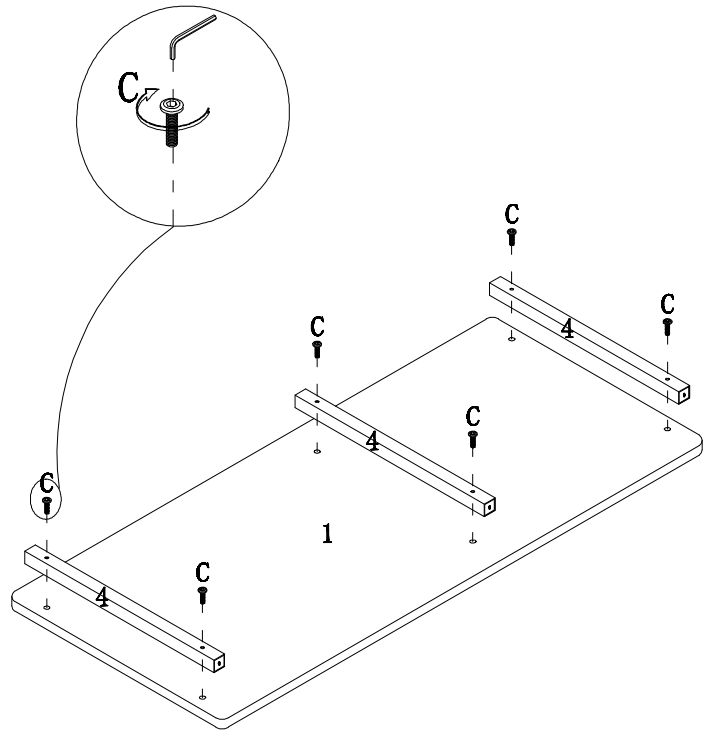
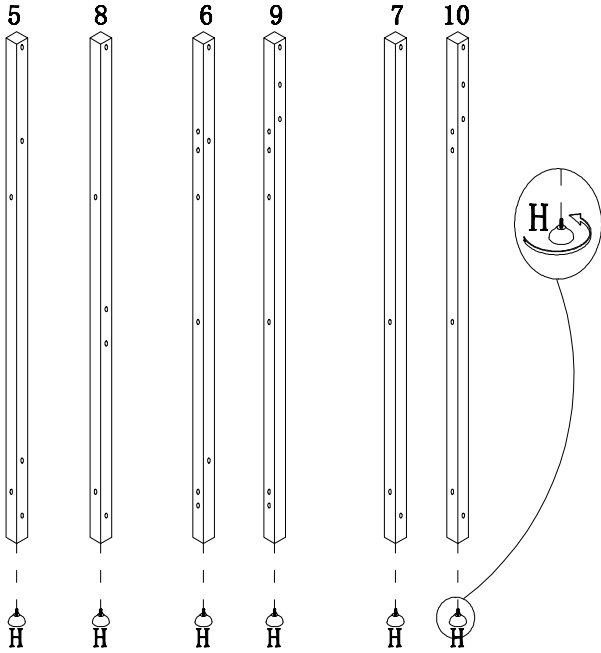
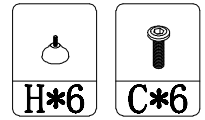
## Hardware List

<b>A</b>  10PCS (M6*35)	<b>B</b>  8PCS (M6*30)	<b>C</b>  6PCS (M6*28)	<b>D</b>  5PCS (M6*12)	<b>E</b>  16PCS (M5*50)	<b>F</b>  2PCS
<b>G</b>  9PCS	<b>H</b>  6PCS	<b>I</b>  5PCS	 1PC		

## Panel List

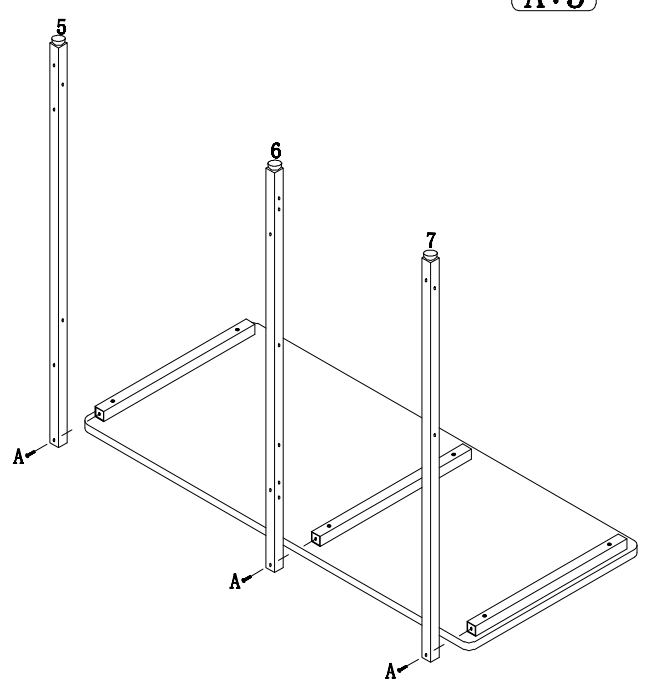
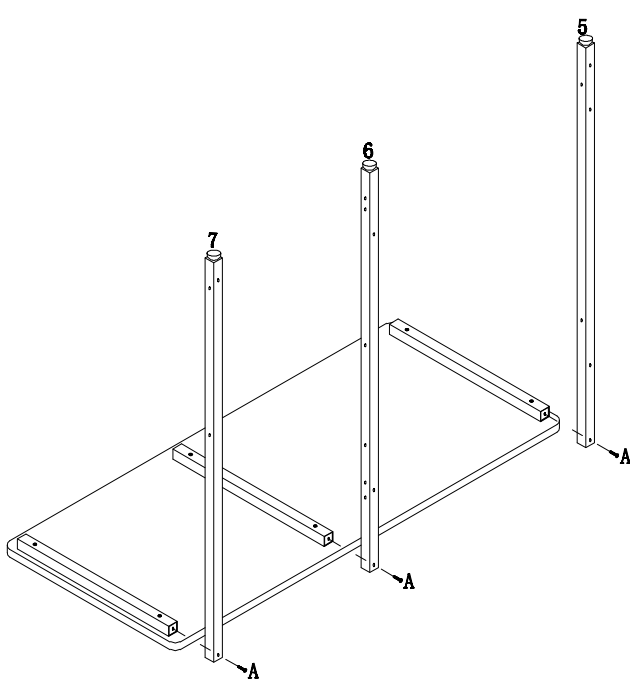
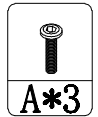
<b>1</b>  1PC	<b>2</b>  2PCS	<b>3</b>  2PCS	<b>4</b>  3PCS	<b>5</b>  1PC
<b>6</b>  1PC	<b>7</b>  1PC	<b>8</b>  1PC	<b>9</b>  1PC	<b>10</b>  1PC
<b>11</b>  3PCS	<b>12</b>  2PCS	<b>13</b>  2PCS	<b>14</b>  2PCS	<b>15</b>  1PC

# step 1

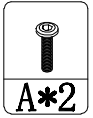
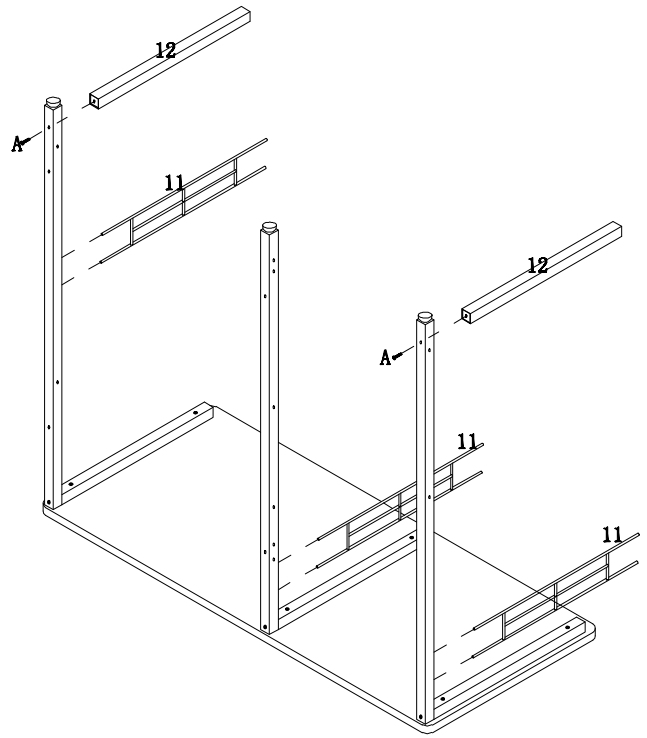
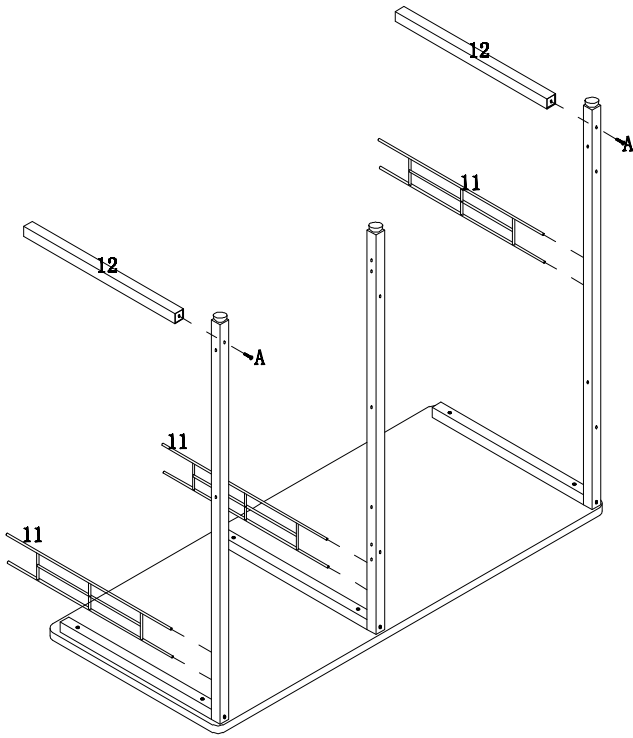


# step 2

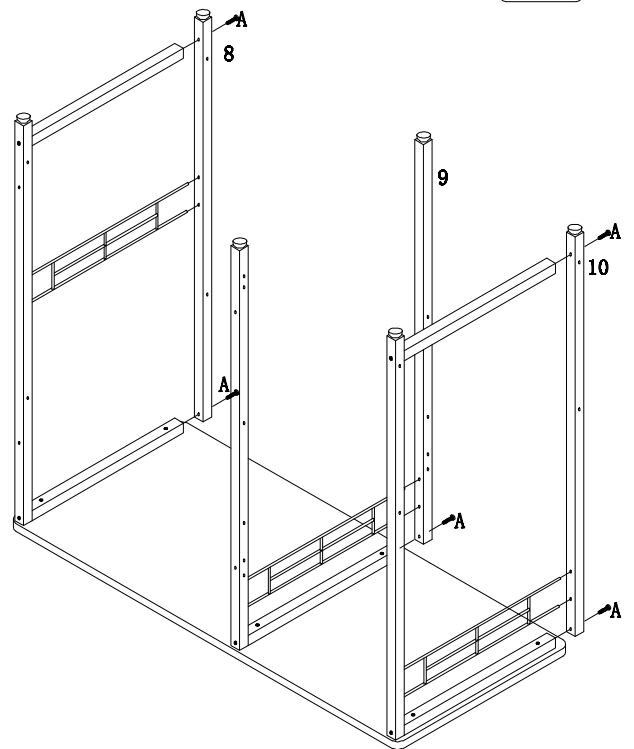
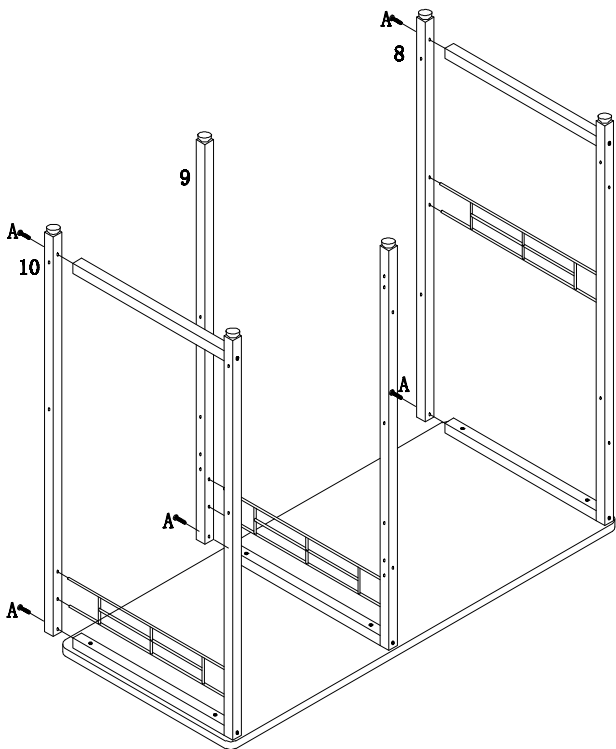
There are 2 installation methods, you can choose left or right



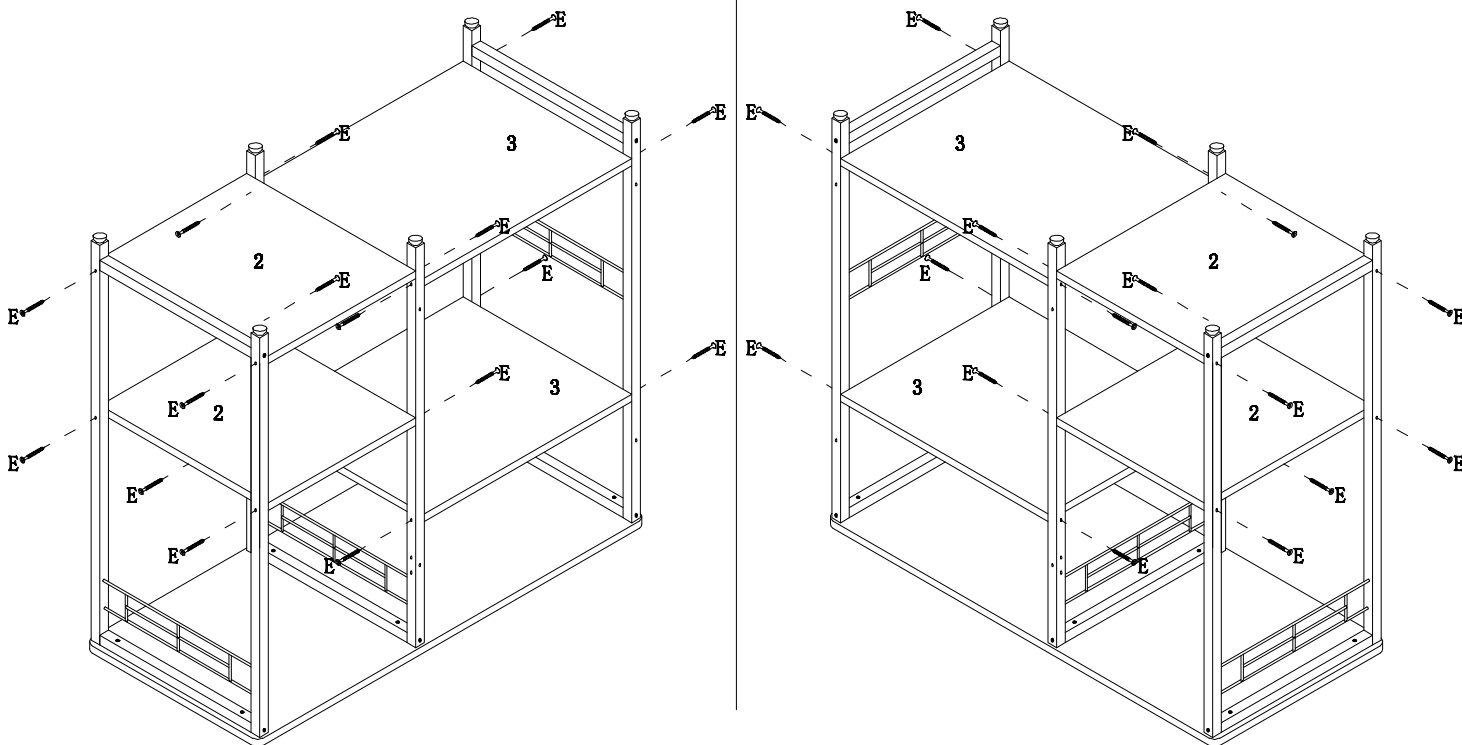
step 3



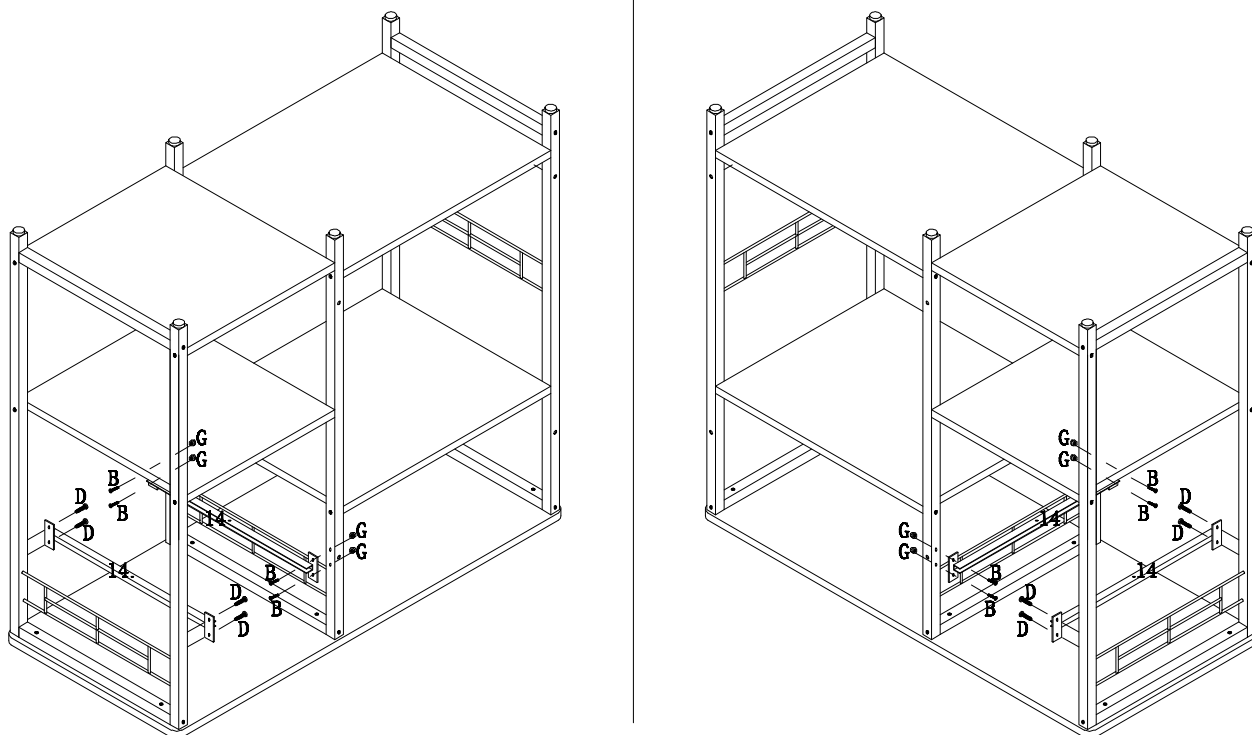
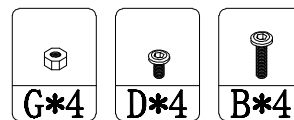
step 4



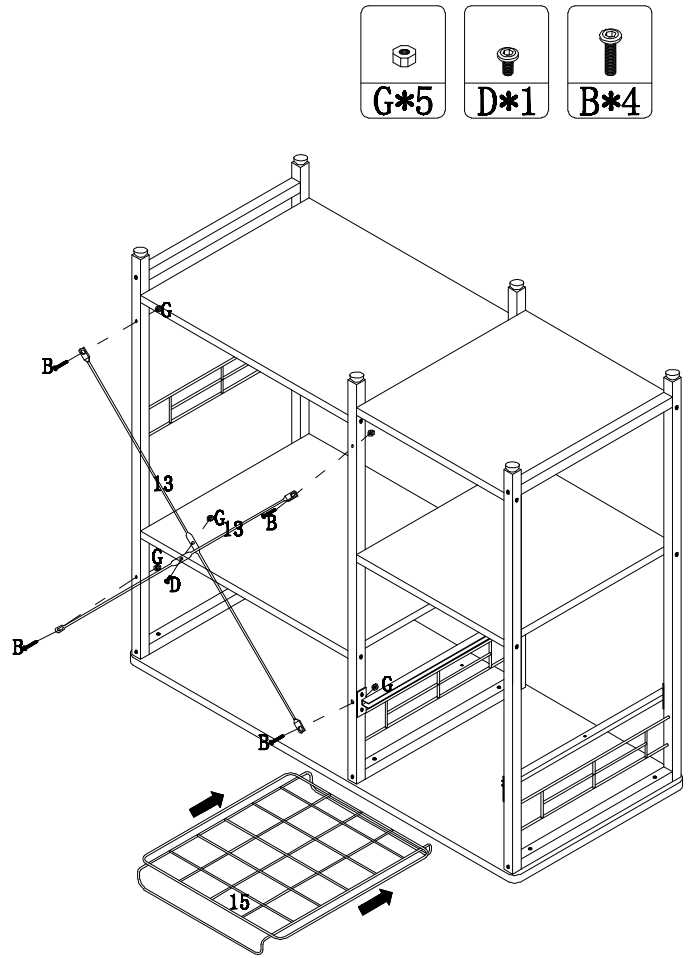
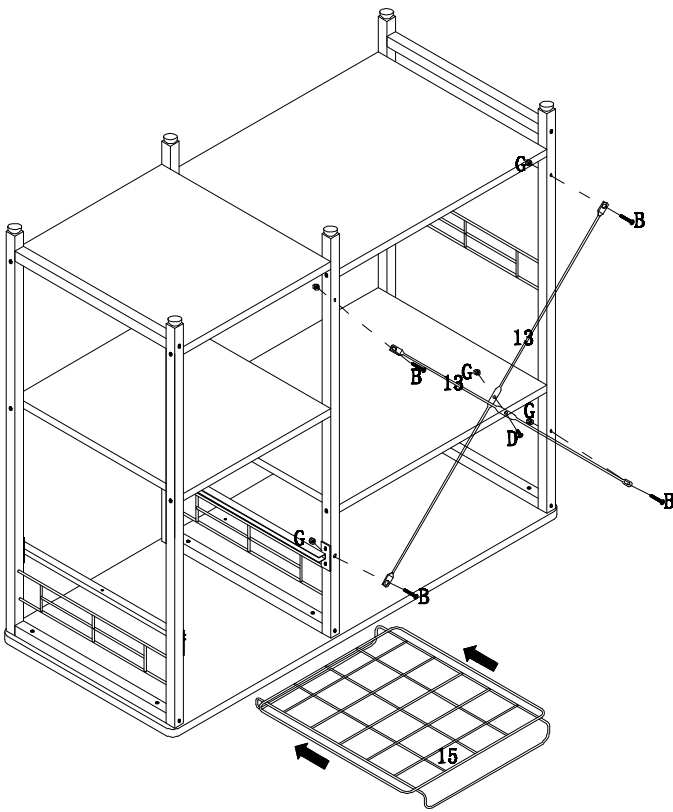
step 5



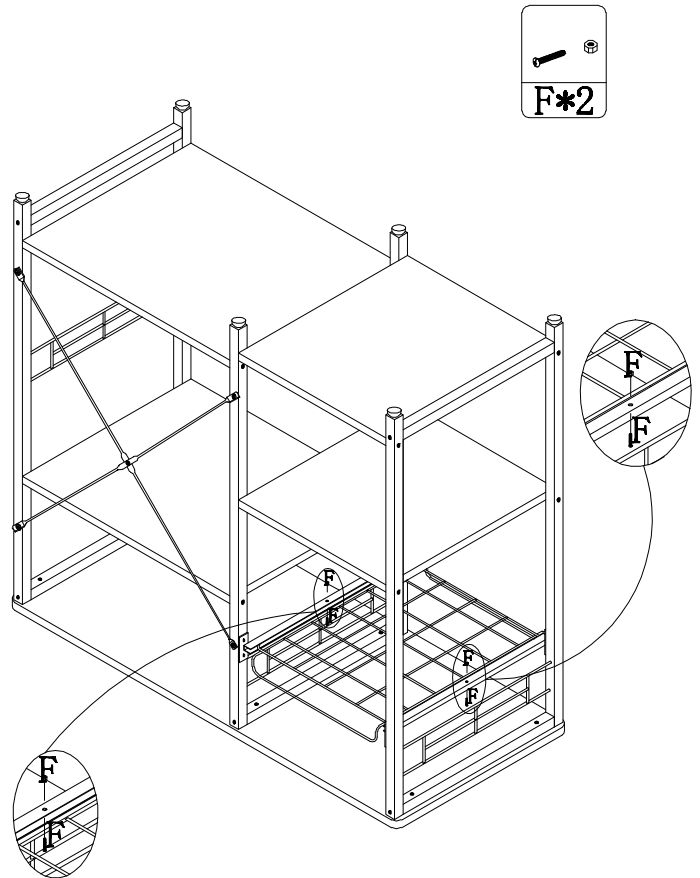
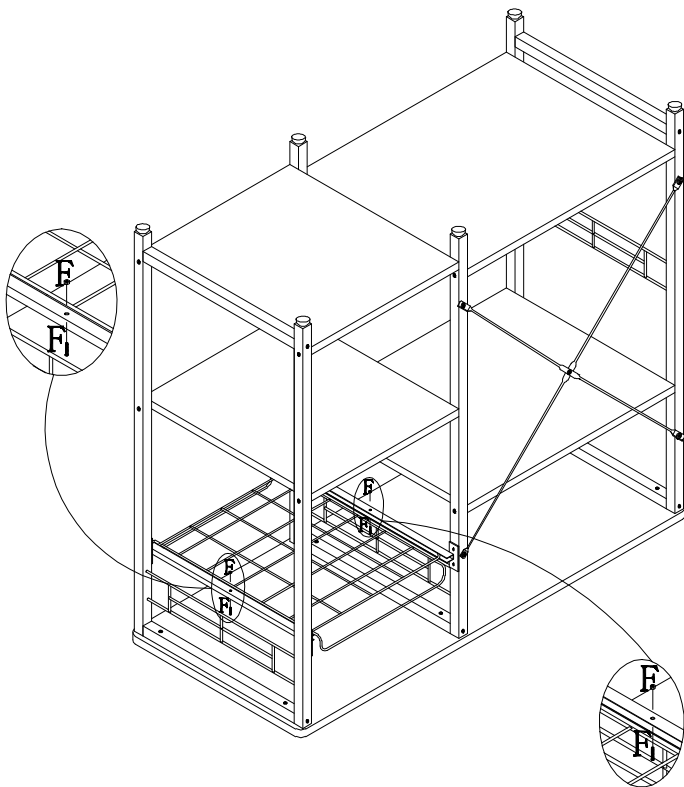
step 6



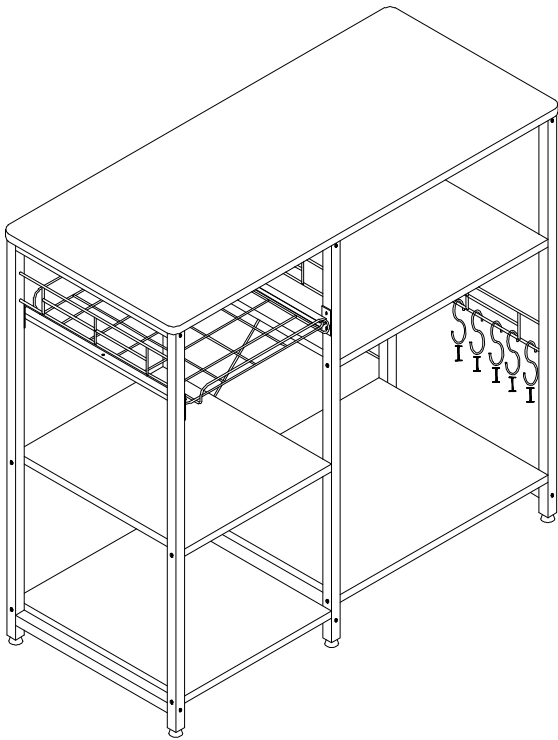
step 7



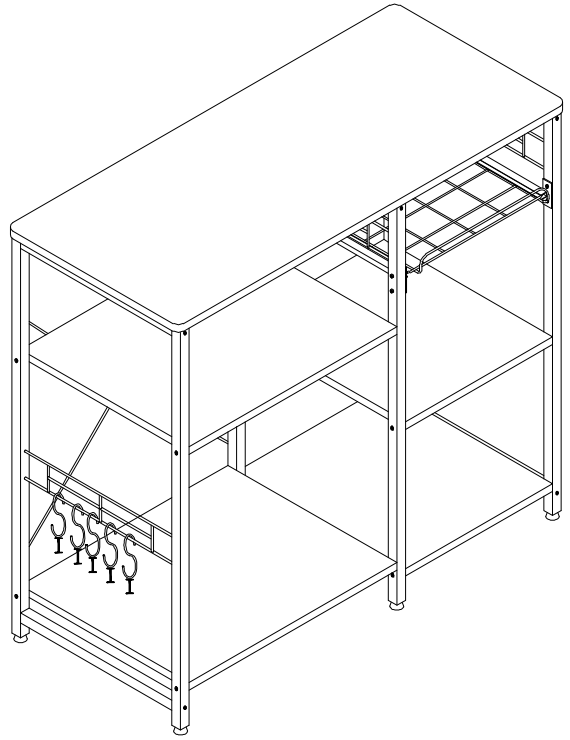
step 8



step 9

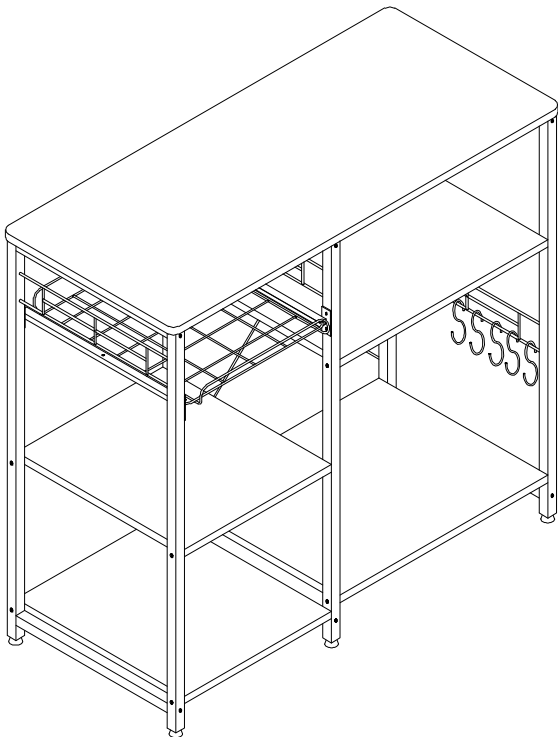


S  
I\*5



step 10

Style 1



Style 2

