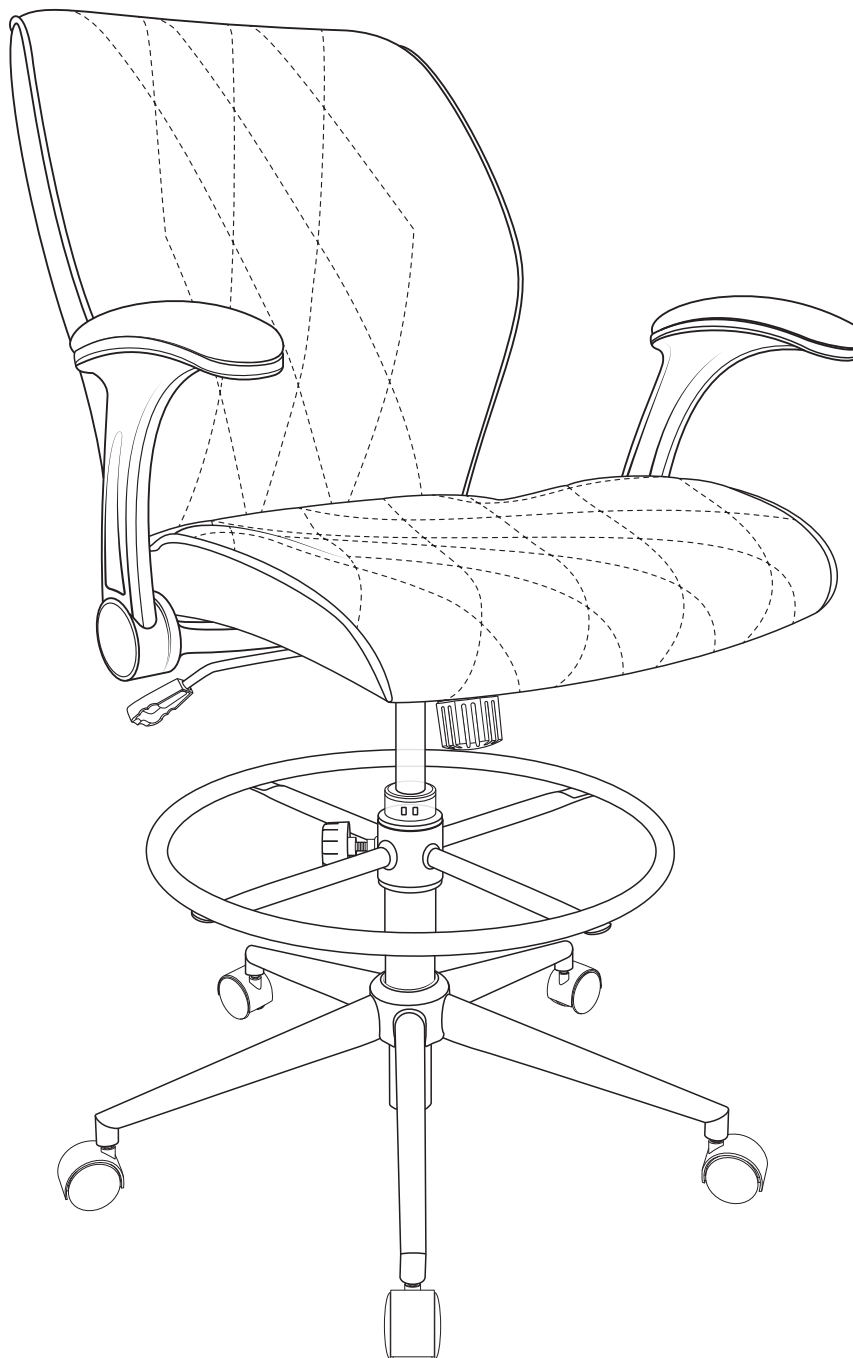




**USER MANUAL**  
**CHLOE DRAFTING CHAIR**  
BL-5019D Series



Dear Customer,

Thank you for choosing Chairman! We hope that you are completely satisfied with your purchase.

If you have any problem with our products or services, please do not hesitate to contact us via email: **help@blingfurniture.com** or phone: **+86 (0) 571 82655127**. We will be sure to provide you with a quick resolution.

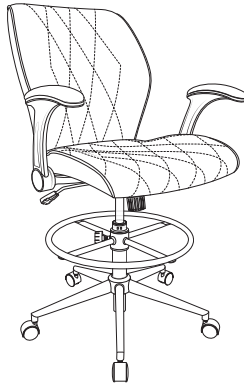
Your thoughts and feedbacks are very welcomed and highly appreciated, any type of reviews from you could make our product better.

We wish our products will always be your first choice.

- **Chairman**

Please follow us on social media:     **@chairmandirect**

You can receive a discount on your next order by using the coupon code found on our facebook page!



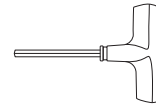
Please read the following instructions carefully and use the product accordingly. Contact our customer service department in case there are any missing or damaged parts.

Email: [help@blingfurniture.com](mailto:help@blingfurniture.com)  
Phone: +86 (0) 571 82655 127  
Hours of operation:  
Monday - Friday: 8:00am - 4:00pm PST  
Saturday - Sunday: Closed

**We appreciate your business!**

## ASSEMBLY REQUIREMENT

Two Adults Assembly Recommended  
Assembly Time: 25 Minutes (Approx.)  
Tools Required: Allen Key (provided)



## ASSEMBLY PREPARATION

1. Remove all packaging and components from the carton.
2. Refer to components list and ensure they are complete before you start assembling.
3. Place all components on a clean, flat and soft surface (e.g. carpet or rug) to prevent parts from getting scratched.
4. Some models may come with fabric covering the screw holes in the seat bottom. In this case, locate the holes by running your hand over the general area to locate the screw positions and poke through the fabric with the Allen Key or a screw.
5. As you remove your chair from the box, you may find the upholstery has slight wrinkles, this is due to the tight packing. These wrinkles will disappear after a few days.

## SAFETY PRECAUTION

1. KEEP ALL FITTINGS OUT OF REACH OF CHILDREN DURING ASSEMBLY PROCESS AND AFTER ASSEMBLY IS COMPLETE. SMALL PARTS MAY BE FATAL IF SWALLOWED OR INHALED.
2. DISPOSE ANY PLASTIC PACKAGING MATERIAL PROPERLY TO AVOID ANY RISK OF SUFFOCATION FOR CHILDREN AND ANIMALS.
3. UNAUTHORIZED CHANGES AND MODIFICATIONS MAY AFFECT PRODUCT SAFETY.

## TIPS FOR ASSEMBLY

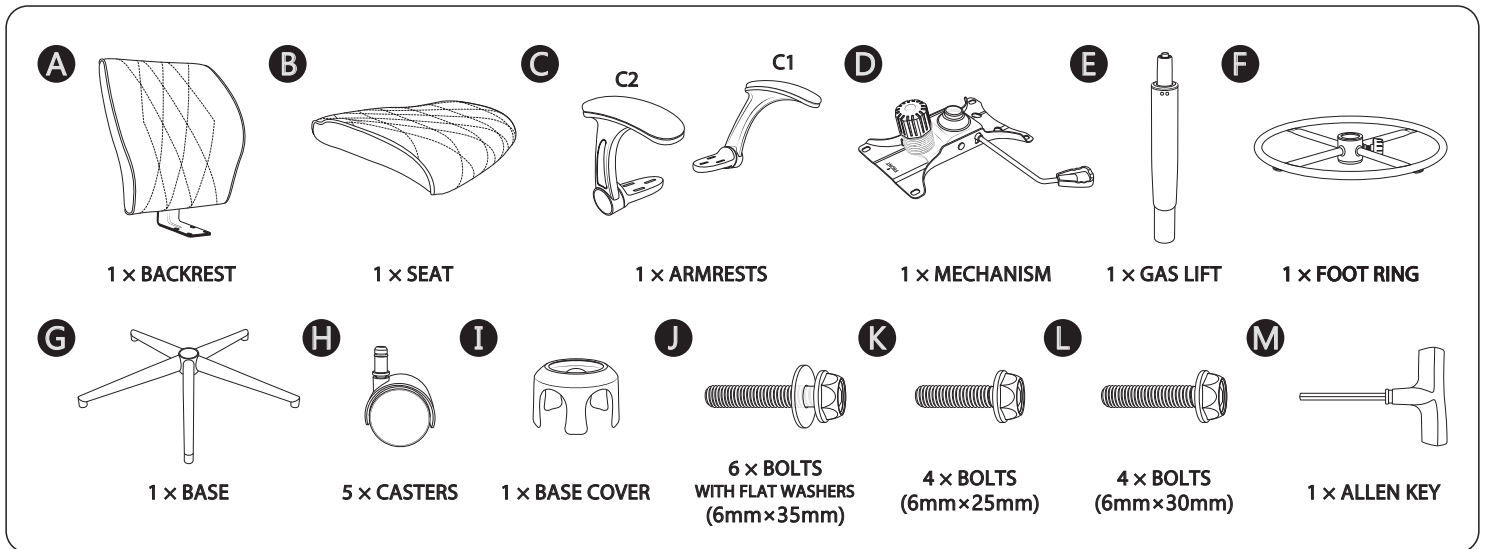
1. Make sure you have enough space for assembly.
2. Assemble the product on a surface that does not scratch or damage the exterior and finish of the furniture.
3. Please ensure all parts are in good condition and right quantities before starting assembly. Incorrect assembly or use of damaged components may cause risk of injury. Please contact customer service for missing parts.
4. During assembly, do not over-tighten any fitting as this may cause damage, correctly position the screws into the holes and then gradually tighten them.
5. Do not use power tools to assemble this product.
6. Always place the product on a flat surface.
7. Please do not throw away any of the packaging or instructions until you have checked that all the components are present and the product is fully assembled. Please ensure that the packaging is disposed of in a safe and environmentally friendly way.

## CARE AND USE

- Recommended for indoor use only.
- Use a slightly damp cloth to clean the product. Do not use bleach or any abrasive cleaning material.
- Please check firmness of all the fittings periodically and re-tighten as necessary. Save the tools that have been provided. Do not use this product if any of the parts are damaged or broken.
- Routine maintenance: If squeaking occurs, identify the source of the sound and apply lubricant between the metal parts to alleviate the issue.
- Keep this product away from sharp objects.
- The wheels of this drafting chair are suitable for nearly all types of floors (wood, ceramic tile, PVC, linoleum, carpet, etc.).

# COMPONENT LIST

Please check and ensure that the following parts are in the package.



# CHAIR ASSEMBLY

Please read the following instructions carefully.

**1** Put the Base (G) upside down on a carpeted or padded surface. Insert 1 Caster (H) into the Base (G) as shown. Repeat the same steps for the remaining 4 Casters (H).

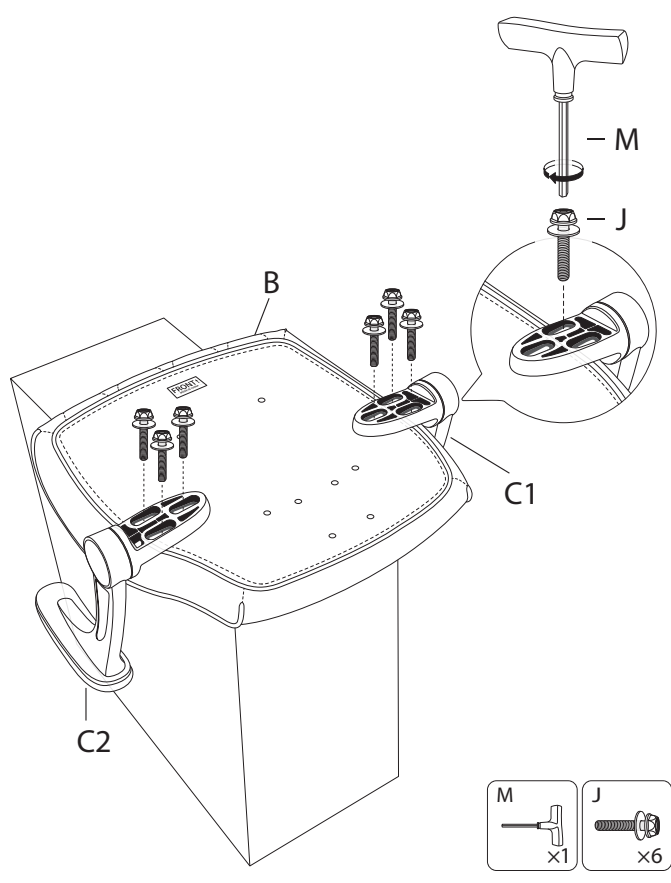
**2** Carefully turn over the assembled base from step 1. Insert the Base Cover (I) and Gas Lift (E) into the Base (G) as shown.

DO NOT PRESS THE BUTTON ON THE TOP OF GAS LIFT (E) during assembly.

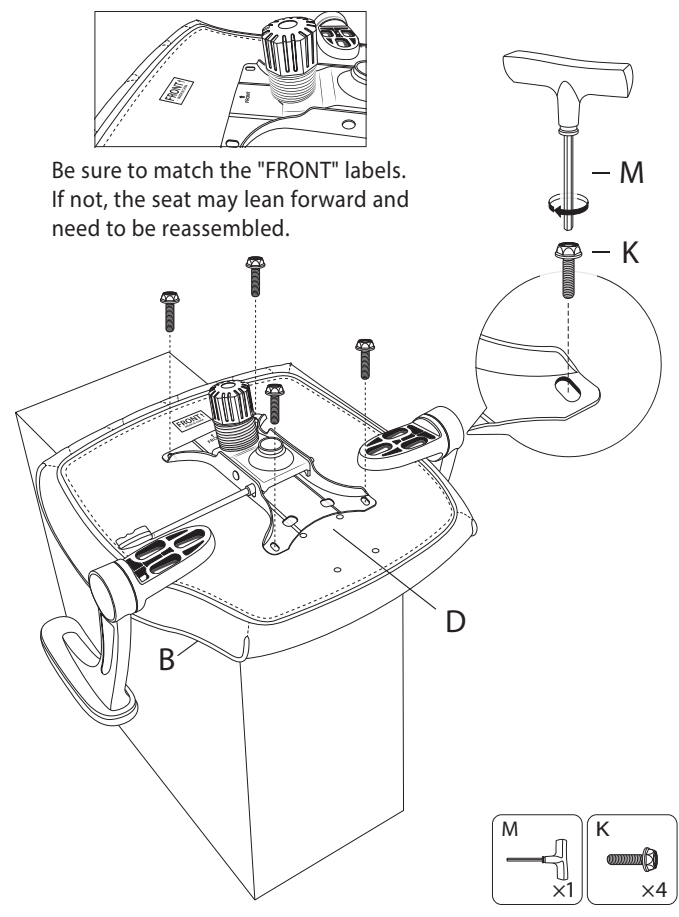
**3** Insert the Foot Ring (F) into the assembled Gas Lift (E) at your desired height, but also at least one Inch from the top of the outer circle of Gas Lift (E) as shown. Please follow the shown directions of the arrow to tighten the knob by hand on the Foot Ring (F) until the Foot Ring (F) is fixed. **Note: the correct orientation of the foot ring as shown. The welds should be underneath and the smooth side of the ring facing upwards.**

This side up	✓
	✗

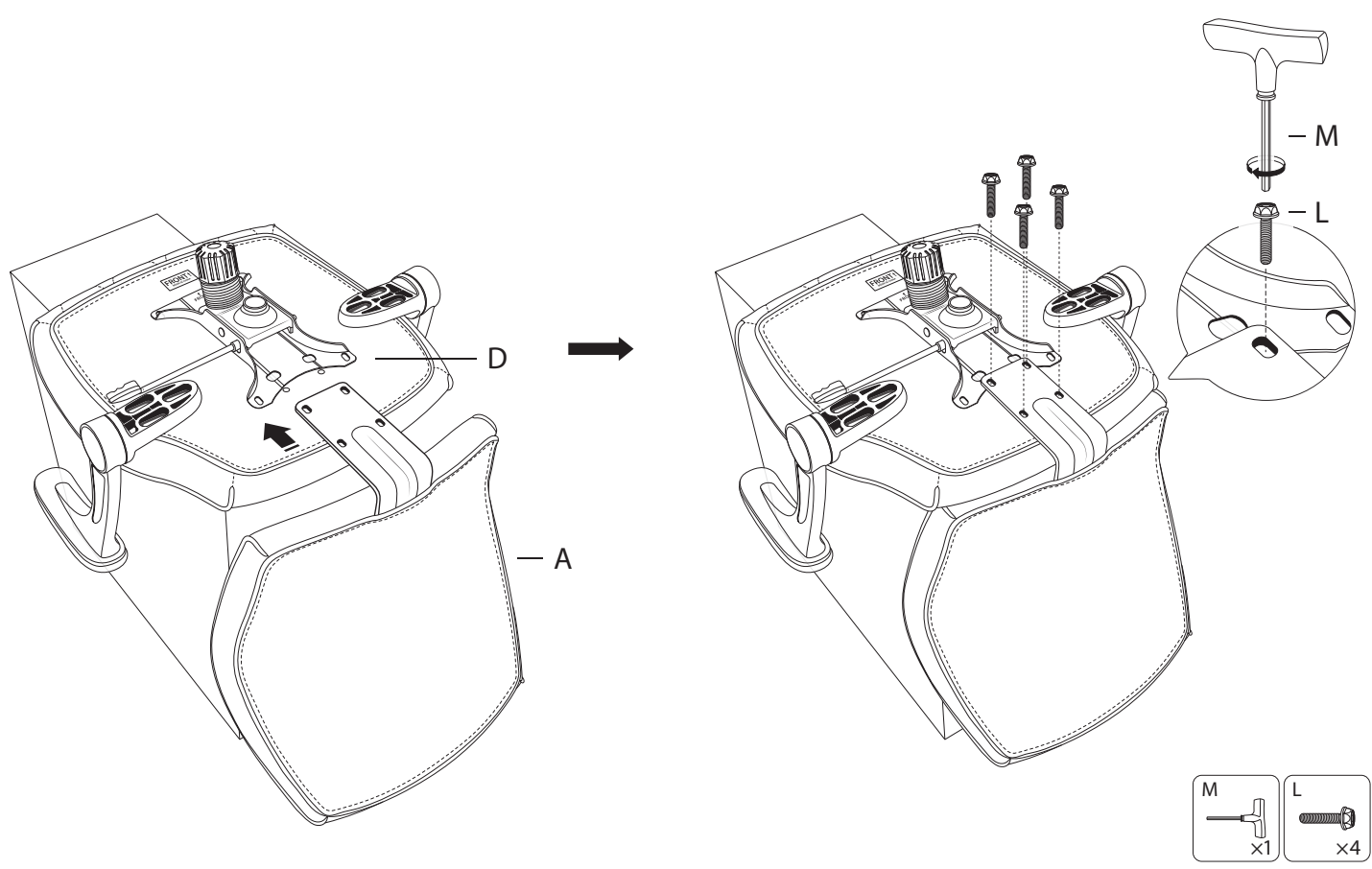
**4** Attach Left Armrest (C1) and Right Armrest (C2) to the Seat (B) using 6 Bolts with Flat Washers (J). Tighten Bolts (J) by using Allen Key (M) as shown.



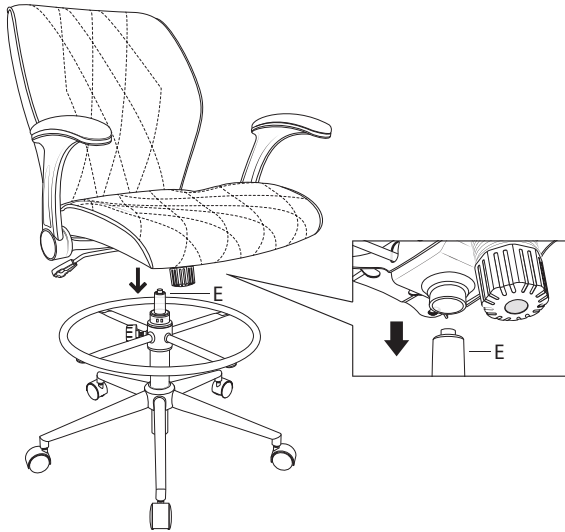
**5** Attach Control Mechanism (D) to the Seat (B) using 4 Bolts (K). Tighten Bolts (K) by using Allen Key (M) as shown.



**6** Attach Control Mechanism (D) to the Backrest (A) using 4 Bolts (L).  
 \*Note: Hand tighten all 4 Bolts (L) in back support plate first. Once all 4 Bolts (L) are inserted, tighten securely using Allen Key (M) as shown.



**7** Insert assembled top unit from Step 6 into the Gas Lift (E) and push down firmly.



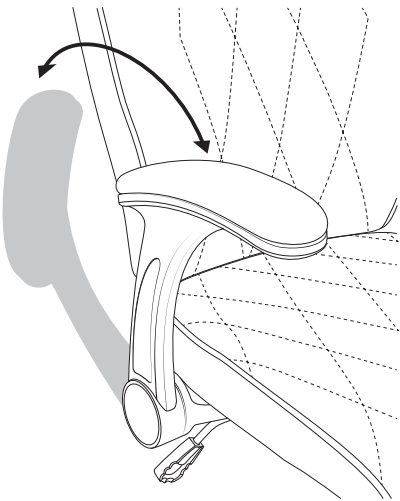
**8** Assembly is complete. Your drafting chair is ready to be used now! 🎉



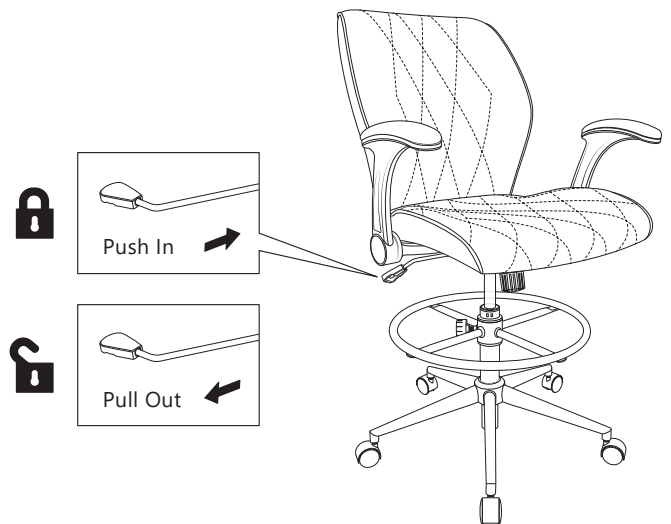
## FUNCTION

Please review following information.

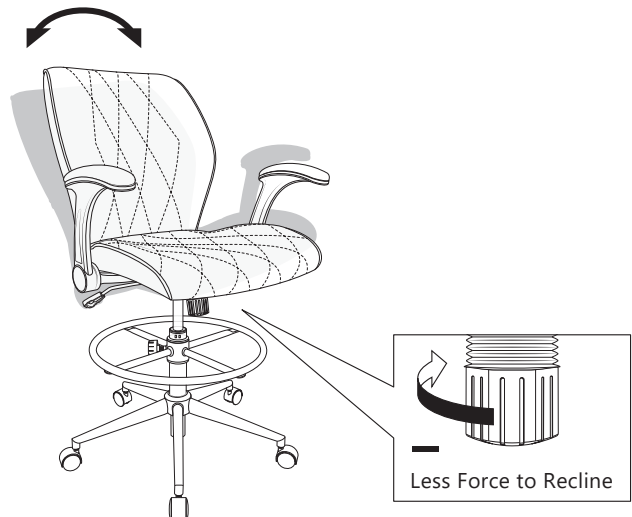
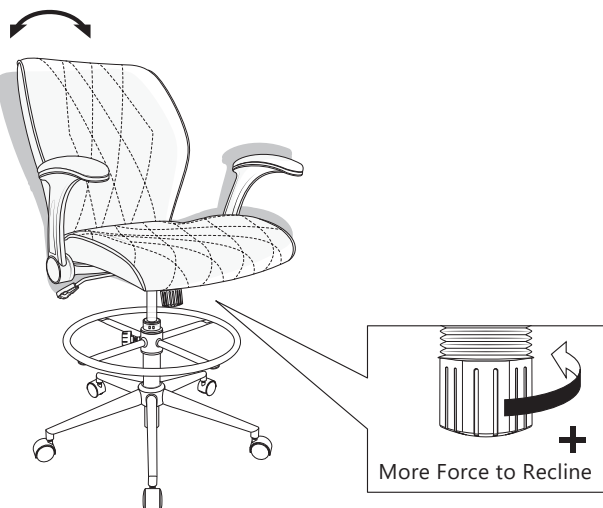
### \* Armrest Adjustment



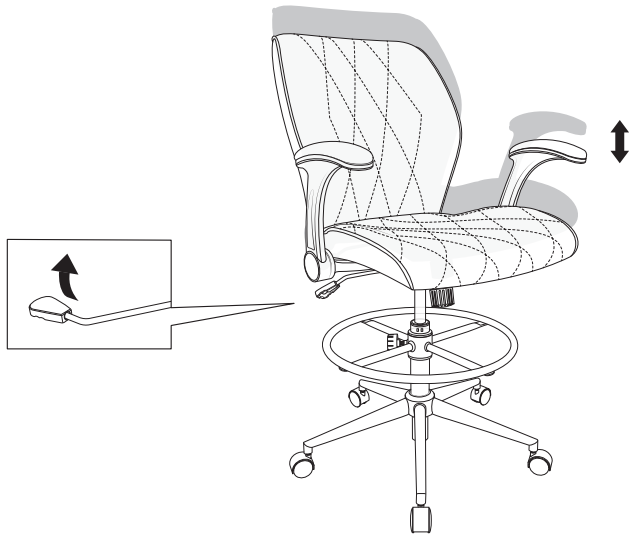
### \* Tilt Adjustment



\* **Back Tilt Tension Adjustment:** The round knob under the seat is to adjust the tilt tension of the backrest. Adjust the resistance required to recline the chair.



### \* Chair Height Adjustment



To raise the seat, remove your weight from the chair, then pull up the control handle.

To lower the seat, stay seated and pull up the handle until you're at the preferred height.

## WARNING

IMPORTANT SAFETY INFORMATION.

Pictures are for demonstration only. Features and appearance may differ from your chair model.



DO NOT SIT CLOSE TO THE FRONT



THE CHAIR IS NOT FOR TWO USERS



DO NOT SIT ON THE ARMREST



DO NOT CLIMB THE CHAIR



SIT ALL THE WAY TO THE BACK

## CAUTION

- RECOMMENDED FOR INDOOR USE ONLY.
- CHAIR INTENDED FOR SEATING ONLY ONE PERSON AT A TIME.
- TO ENSURE PROPER ASSEMBLY, PLEASE FOLLOW ALL STEPS AND USE ALL PARTS.
- DO NOT USE CHAIR UNLESS ALL BOLTS ARE FULLY TIGHTENED.
- CHECK THE TIGHTNESS OF ALL BOLTS AT LEAST EVERY SIX MONTHS (OR MORE FREQUENTLY AS NEEDED).
- IF ANY PARTS ARE MISSING, DAMAGED OR WORN, STOP USING THIS PRODUCT UNTIL REPAIRS ARE MADE (WITH FACTORY AUTHORIZED PARTS).
- TO AVOID DAMAGE, DO NOT OVERLOAD THE ARMRESTS.
- ONLY PROFESSIONAL TECHNICIANS ARE ALLOWED DISASSEMBLE OR REPLACE THE GAS LIFT.
- PLEASE PLACE THE CHAIR ON LEVEL GROUND AND KEEP THE BASE IN FULL CONTACT WITH THE GROUND. TO AVOID TIPPING OR FALLING, DO NOT SIT NEAR THE EDGE OF THE CHAIR.
- PLEASE USE THE CHAIR PROPERLY. INCORRECT USE, SUCH AS STEPPING ON THE CHAIR, SITTING ON THE ARMRESTS OR USING THE CHAIR AS A LADDER OR CLIMBING TOOL MAY RESULT IN SERIOUS INJURY AND IS NOT ADVISED. CHILDREN MUST BE UNDER ADULT SUPERVISION TO USE THIS PRODUCT.
- WE ARE NOT RESPONSIBLE FOR DAMAGE TO THE CHAIR IF THESE ASSEMBLY INSTRUCTIONS ARE NOT CAREFULLY FOLLOWED.
- FAILURE TO FOLLOW THESE WARNINGS CAN RESULT IN SERIOUS INJURY TO YOURSELF OR OTHERS.
- MAN-MADE DAMAGE IS NOT COVERED BY THE WARRANTY.

chairman

✉ Customer Support:  
[help@blingfurniture.com](mailto:help@blingfurniture.com)

