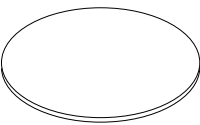
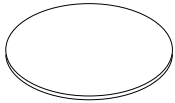
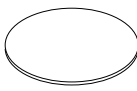
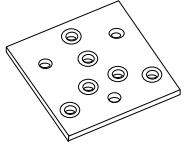


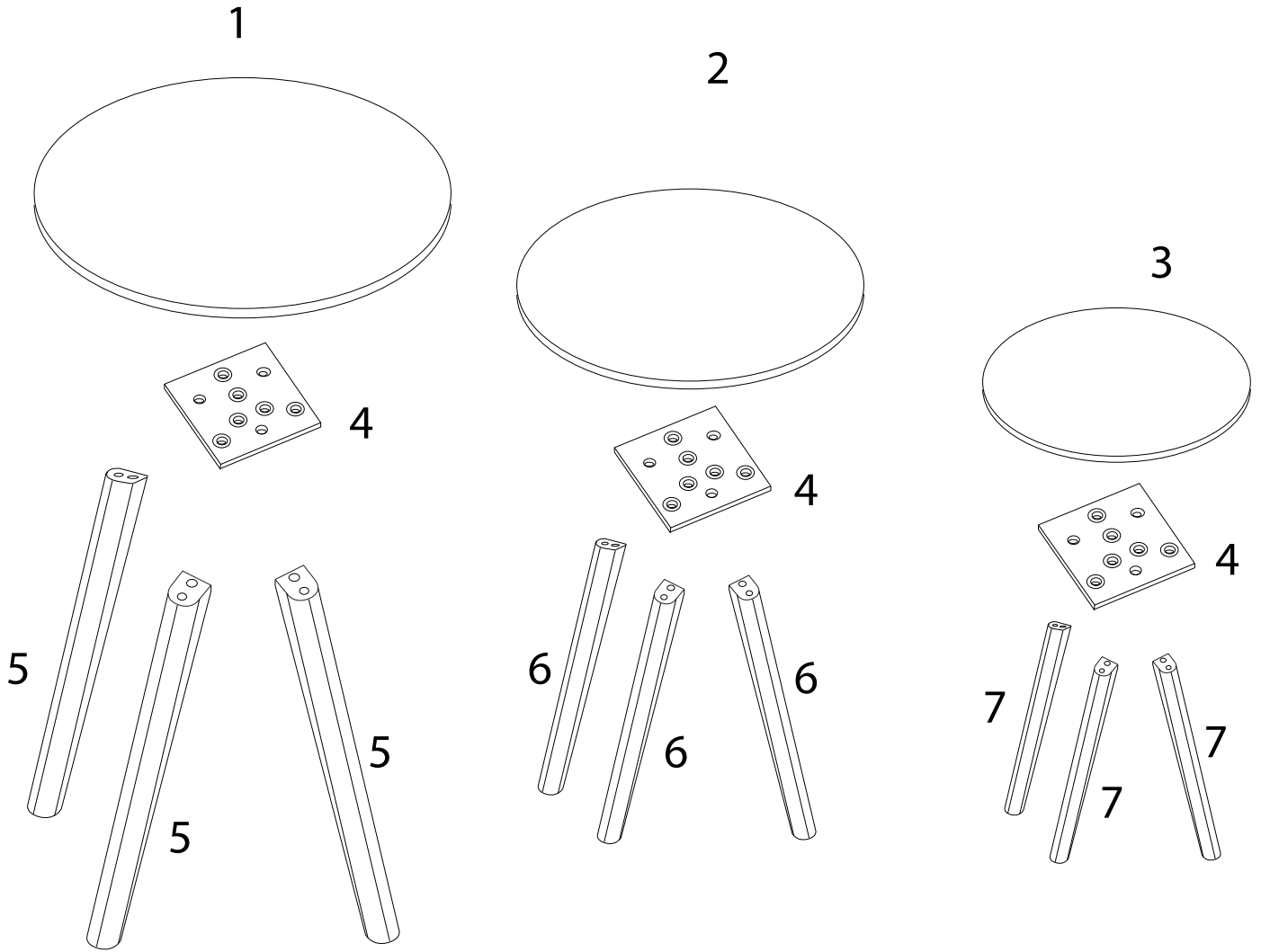




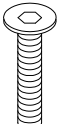


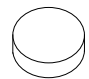


Diagram illustrating assembly steps and safety warnings:

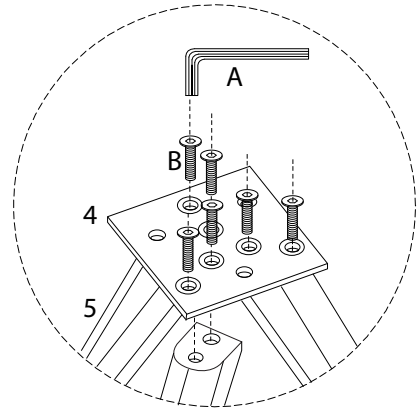
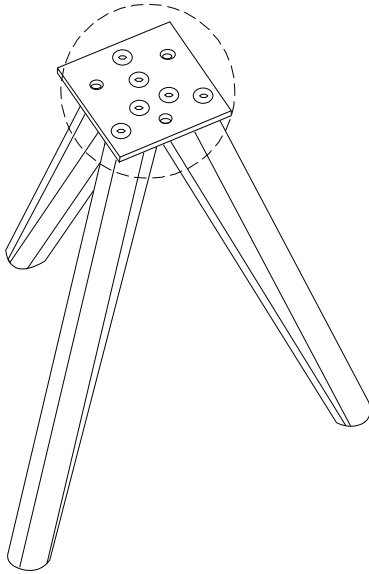
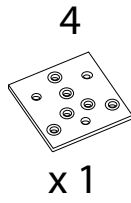
- Step 1:** Shows an L-shaped corner bracket being attached to a leg. A power drill is shown with a diagonal line through it, indicating that a power drill should not be used for this step. A warning triangle with an exclamation mark is positioned to the right.
- Step 2:** Shows a rectangular block being attached to the bottom of a leg. A power drill is shown with a diagonal line through it, indicating that a power drill should not be used for this step. A warning triangle with an exclamation mark is positioned to the right.
- Time:** A clock icon is shown with the number **40'** below it, indicating a 40-minute assembly time.
- Person:** A person icon is shown with the number **1** below it, indicating that one person is required for assembly.

1	2	3	4	5	6
					
x 1	x 1	x 1	x 3	x 3	x 3

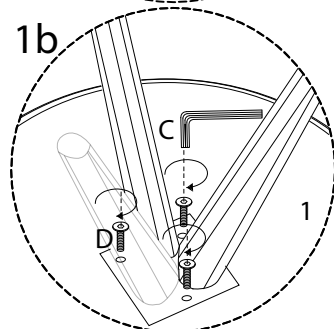
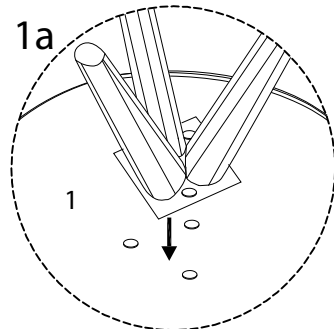
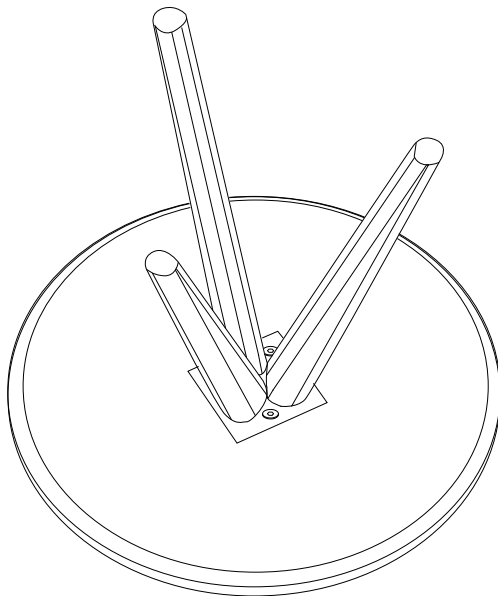
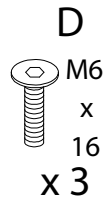
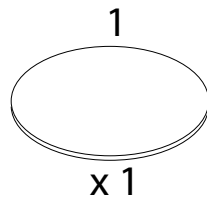


7	A	B	C	D	E
	 M4	 M6 x 25	 M5	 M6 x 16	
x 3	x 1	x 18	x 1	x 9	x 9

1



2

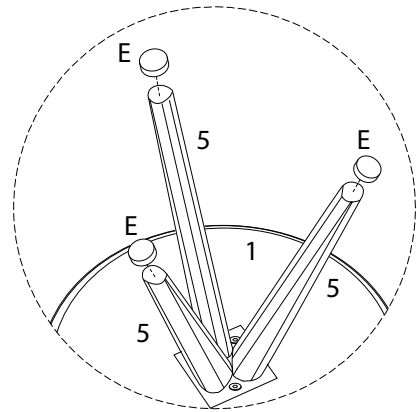
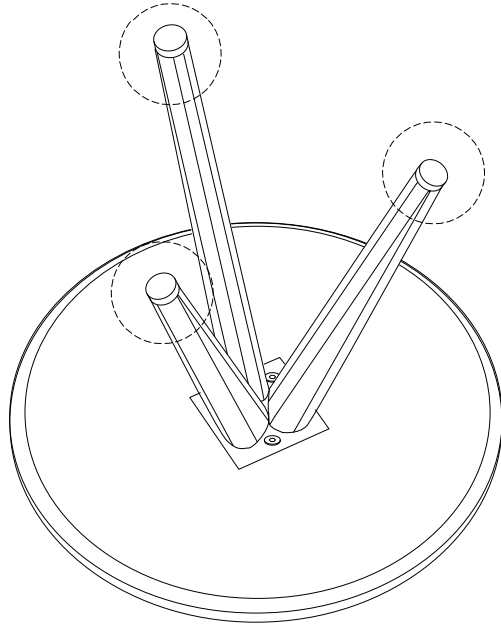


3

E



x 3



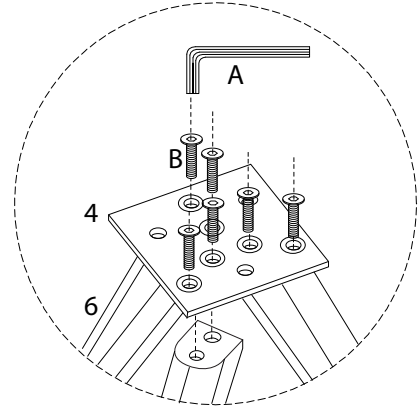
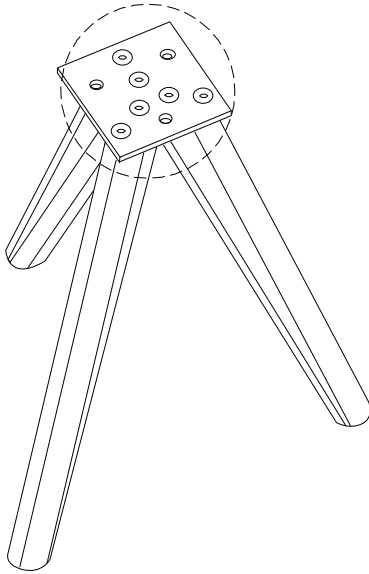
4

6  
x 3

4  
x 1

B  
M6  
x 25  
x 5

A  
M4  
x 1

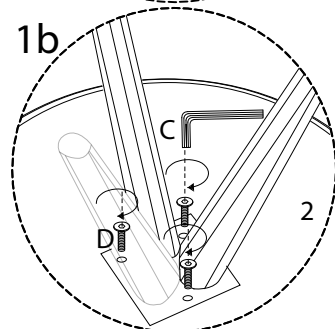
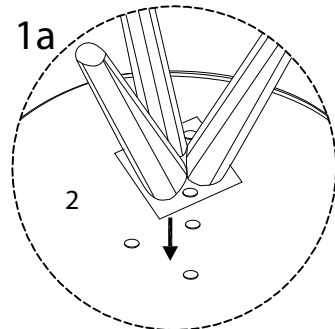
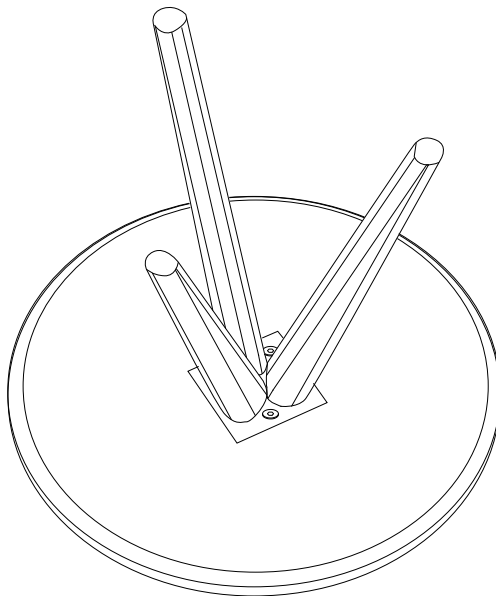


5

2  
x 1

D  
M6  
x 16  
x 3

C  
M5  
x 1

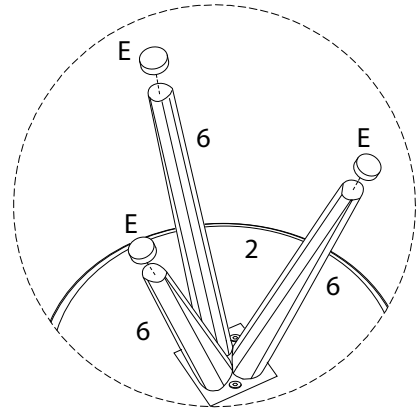
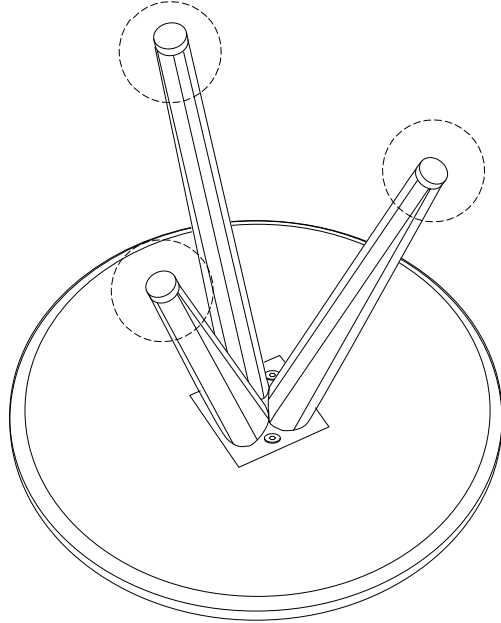


6

E



x 3



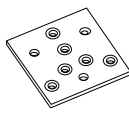
7

7



x 3

4



x 1

B

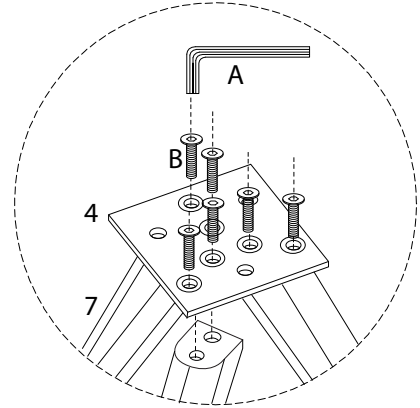
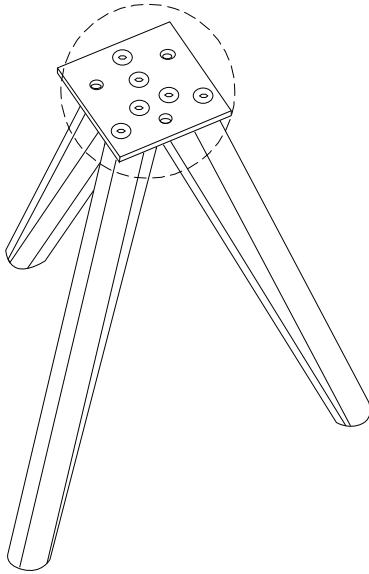


x 5

A

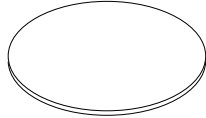


x 1



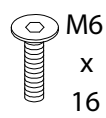
8

3



x 1

D

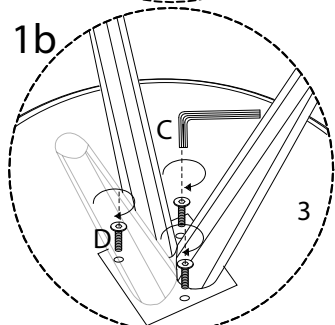
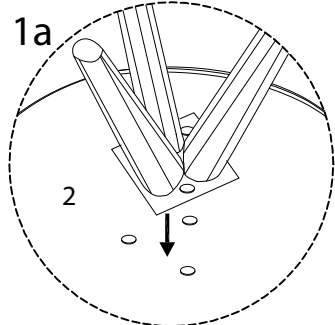
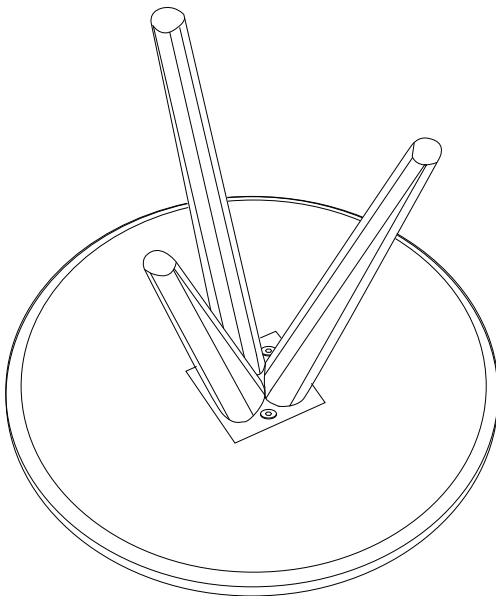


x 3

C



x 1



9

E



x 3

