

Care & Maintenance



- Furniture may scratch floors. We recommend using furniture pads to protect your floors.



- Do not put hot items directly on furniture surface.



- Do not clean furniture with harsh cleansers or polish.



- Do not place furniture under direct sunlight.



- Do not place furniture near heating or cooling vents.



- Do not write on furniture without a padded barrier to protect the surface.



- Do not place furniture outside . For indoor use only.



- Not for commercial use. For residential use only.



- Stains may be removed with mild soap solution and damp cloth.



- Children should not climb or jump on the furniture.

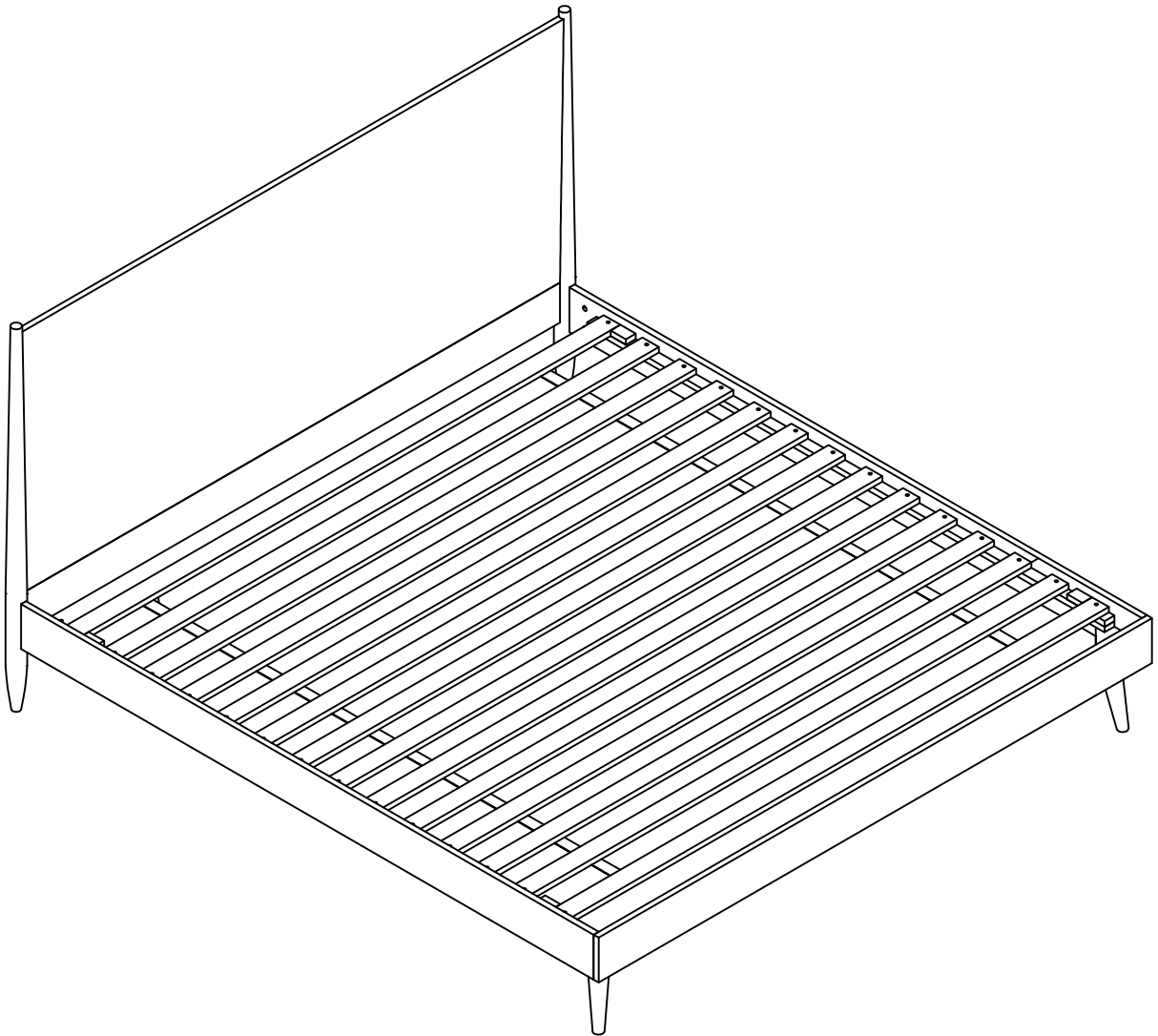


- Dust and pick-up spills using a clean, non-colored, lint-free cloth.

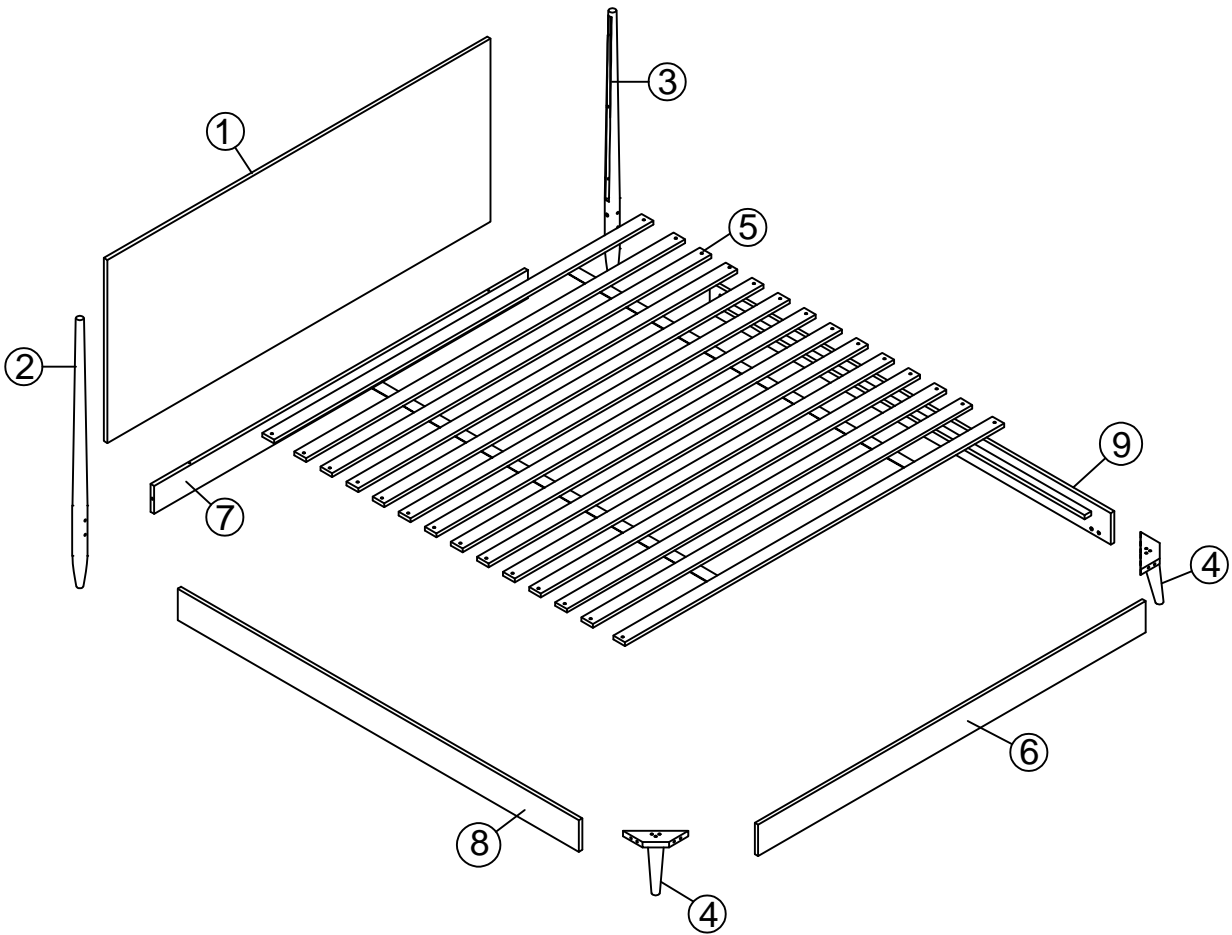
ASSEMBLY INSTRUCTIONS

INSTRUCTIONS DE MONTAGE

TWIN BED / TWIN XL BED
SKU CODE: 67062.00-T / 67062.00- TXL



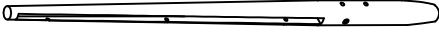
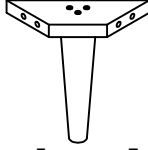
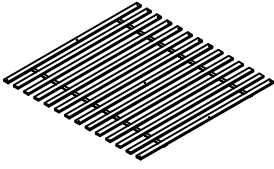
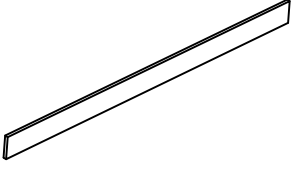
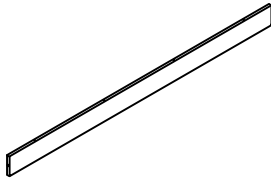
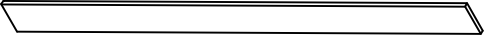



Detail View



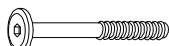
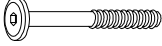
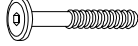






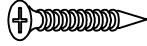

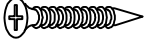




Part List

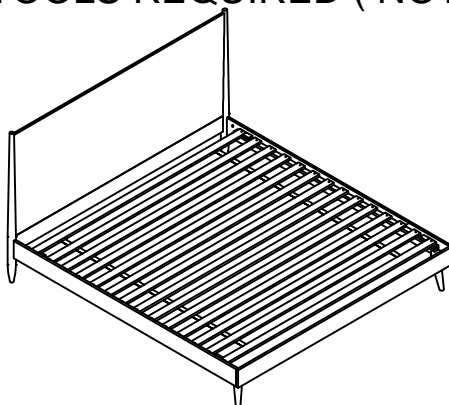
67062.00-T-H / 67062.00- TXL-H

<p>① x 1 PC</p>  <p>Frame Headboard</p>	<p>② x 1 PC</p>  <p>Left Headboard Leg</p>
<p>③ x 1 PC</p>  <p>Right Headboard Leg</p>	<p>④ x 2 PCS</p>  <p>Footboard Legs</p>
<p>⑤ x 1 PC</p>  <p>Slat</p>	
<p>67062.00-T-P / 67062.00- TXL-P + Hardware inside</p>	
<p>⑥ x 1 PC</p>  <p>Panel Footboard</p>	<p>⑦ x 1 PC</p>  <p>Support Headboard</p>
<p>⑧ x 1 PC</p>  <p>Left SideRail</p>	<p>⑨ x 3 PCS</p>  <p>Right SideRail</p>

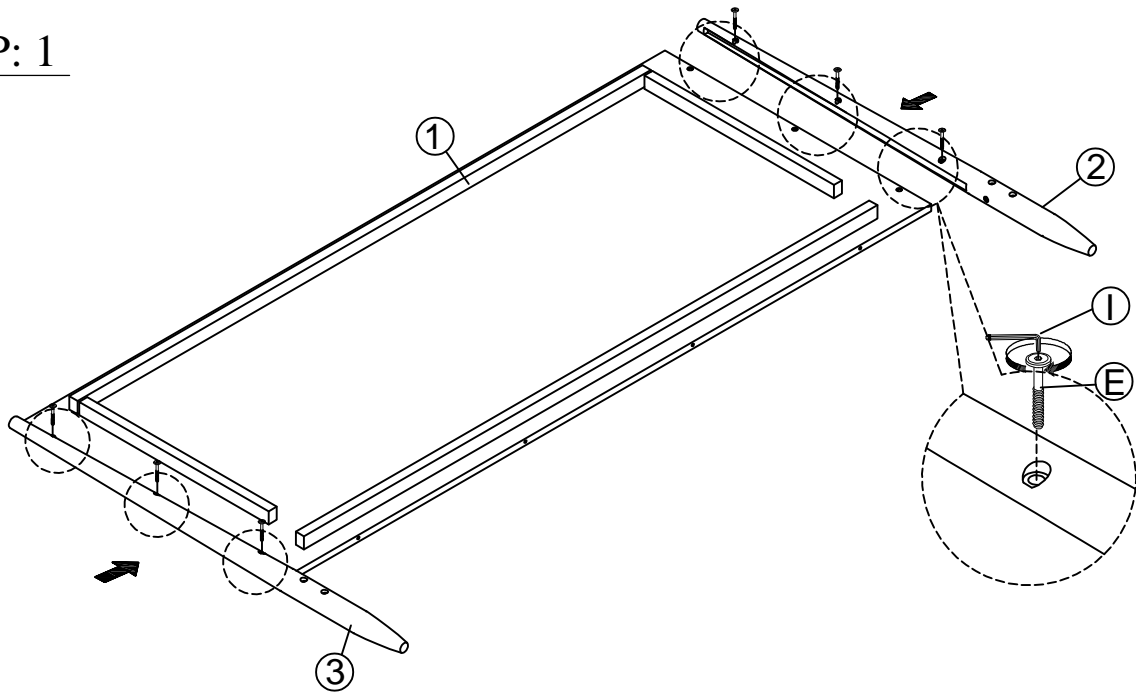
Hardware List

(A) x 4PCS  Ø1/4"x100mm	(B) x 4PCS  Ø1/4"x75mm	(C) x 2PCS  Ø5/16"x60mm
Bolts	Bolts	Bolts
(D) x 8PCS  Ø1/4"x50mm	(E) x 6PCS  Ø1/4"x30mm	(F) x 4PCS  Ø5/16"x15mm
Bolts	Bolts	Bolts
(G) x 24PCS  Ø5/16"x13mm	(H) x 22PCS  Ø5/16"x19mm	(I) x 1PC  100*30*4mm
Spring Washer	Flat Washer	Allen key
(K) x 4PCS  Ø10x30mm	(L) x 4PCS  1/4"*15 (9.5mm)	(M) x 10PCS  Ø4x15mm
Wood dowel	Horizontal-Hole bolts	Wood screws
(N) x 2PCS  Ø5/16"	(O) x 28PCS  Ø4x30mm	(P) x 1PCS 
Curved washers	Wood screws	Left - L - Hooks
(Q) x 1PCS 		
Right - L - Hooks		

ASSEMBLY TOOLS REQUIRED (NOT INCLUDED)

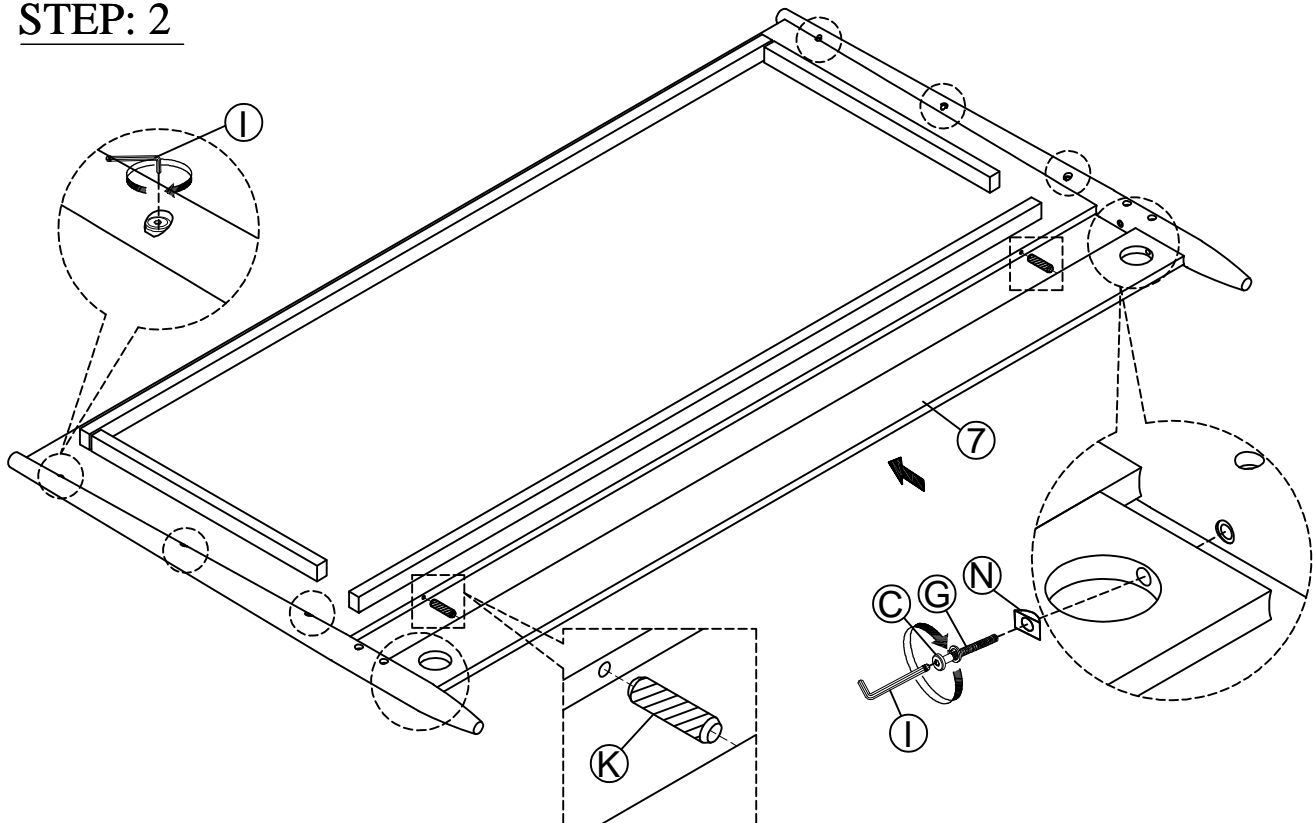


STEP: 1



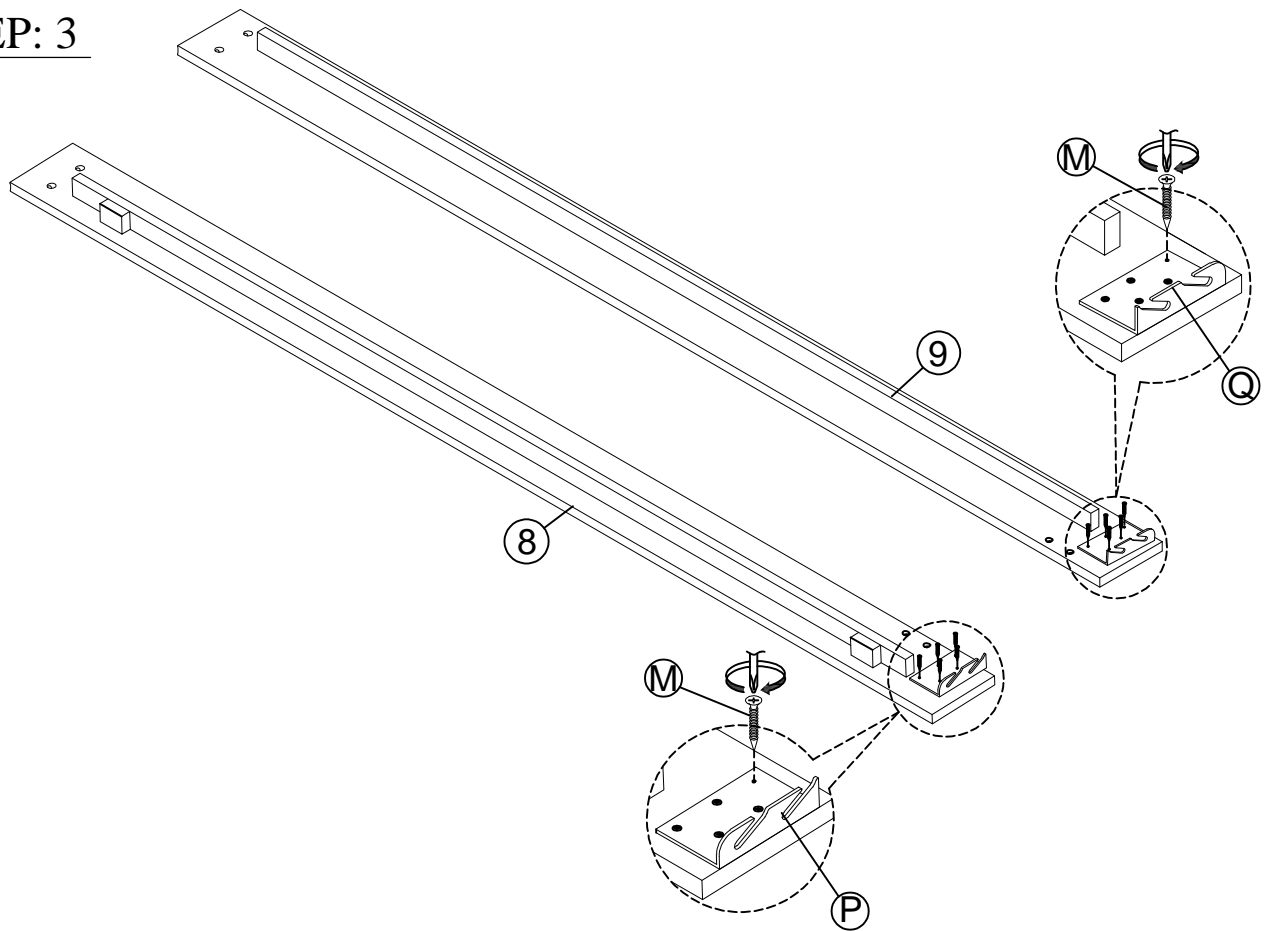
Assemble the frame headboard (1) to the left headboard leg (2), and right headboard leg (3), using Bolts (E), Allen Key (I). Please do not tighten the bolts at this step.

STEP: 2



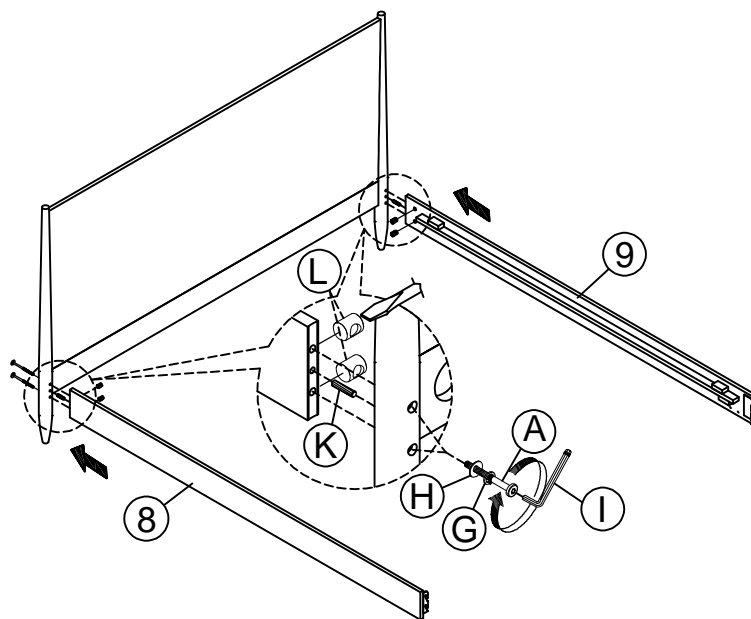
Assemble the support headboard (7) to the left headboard leg (2), and right headboard leg (3), using the wooden dowel (K), bolt (C), Spring Washer (G), Curved washers (N), Allen Key (I). Align and tighten all bolts at this step.

STEP: 3



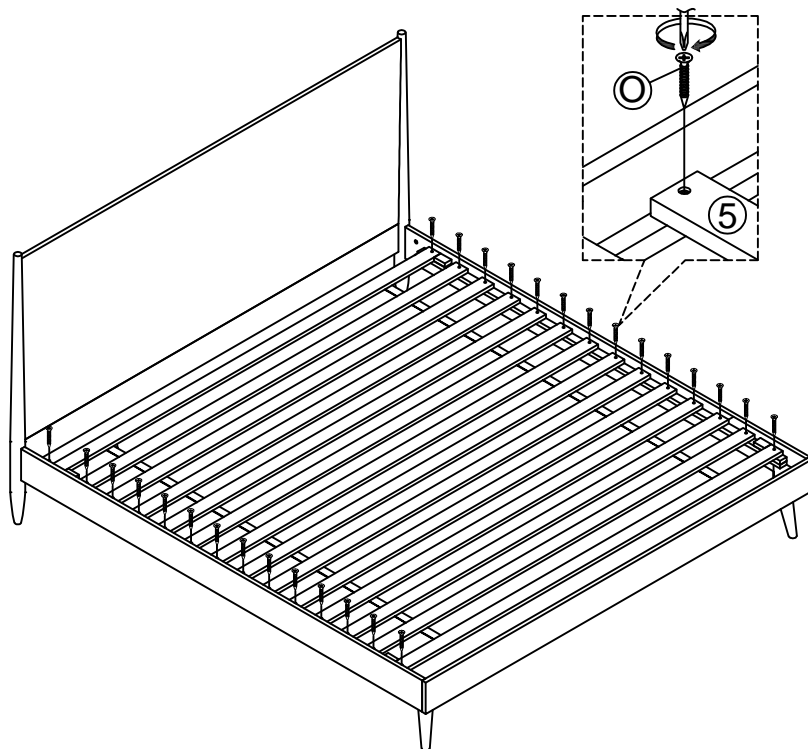
Assemble the Left - L - Hooks (P), onto the left siderail (8), with the Wood screws (M). Be careful not to tighten too hard. Repeat the same procedure for the Right - L - Hooks (Q) and the right siderail (9)

STEP: 4



Assemble the left siderail (8), and the right siderail (9) to the headboard (1), in step (2), using the wooden dowel (K), bolt (A), Spring Washer (G), flat washer (H), and horizontal-h bolts (L), Allen Key (I). Tighten the bolts in this step.

STEP: 7



Assemble the slat (5) onto the left siderail (8) and the right siderail (9), using Wood screws (O).
Be careful not to tighten too much.

FINAL

