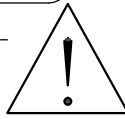
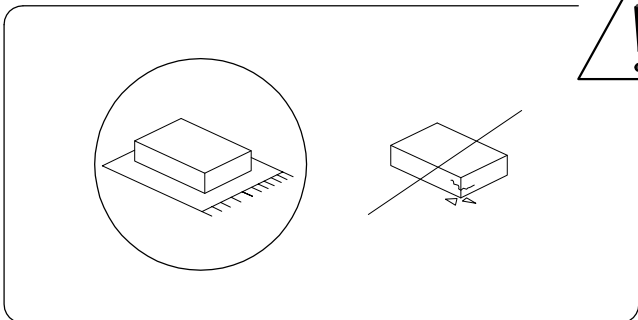
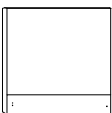

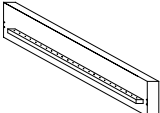
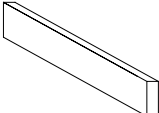

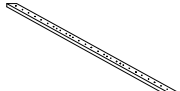

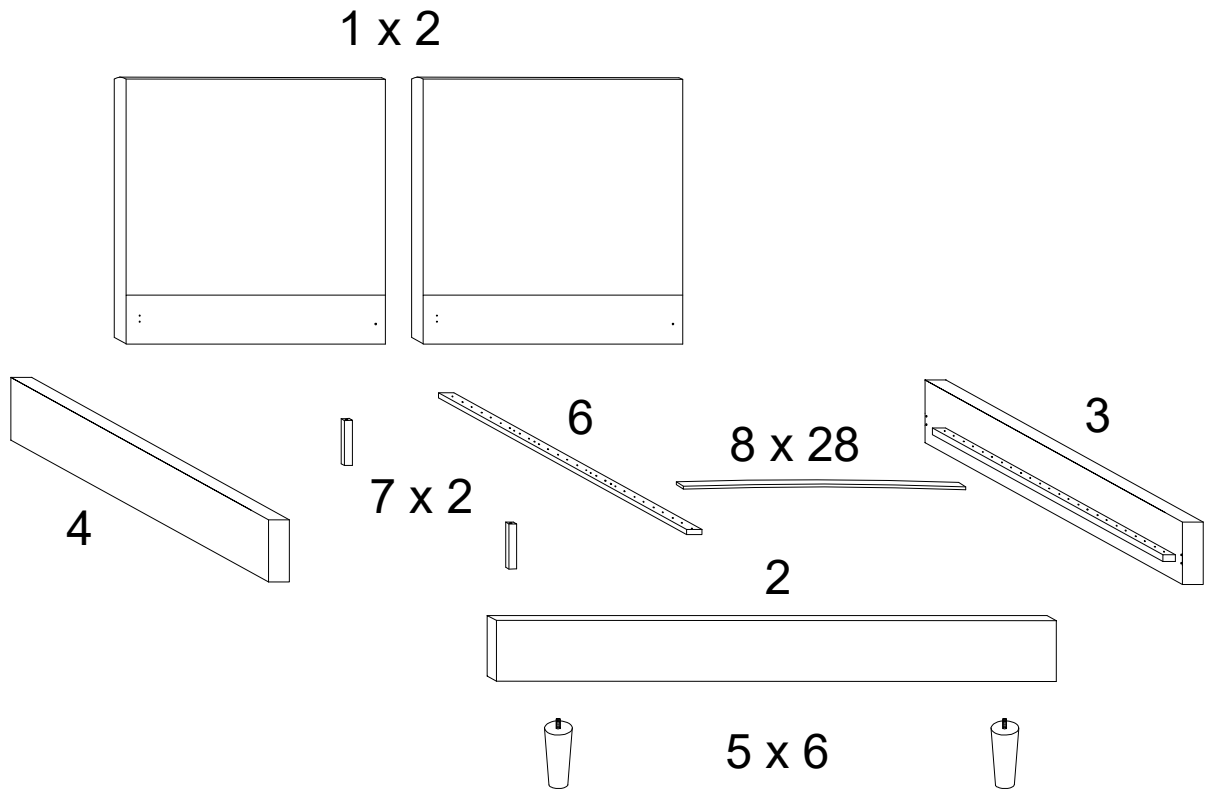



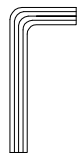
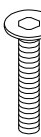


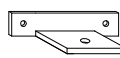
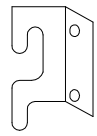
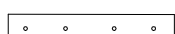
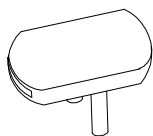
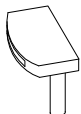
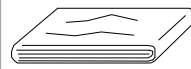
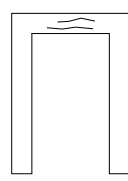
30'



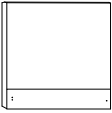
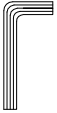
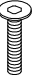
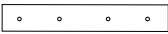
2

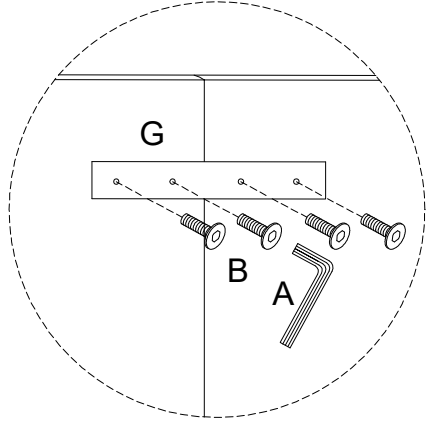
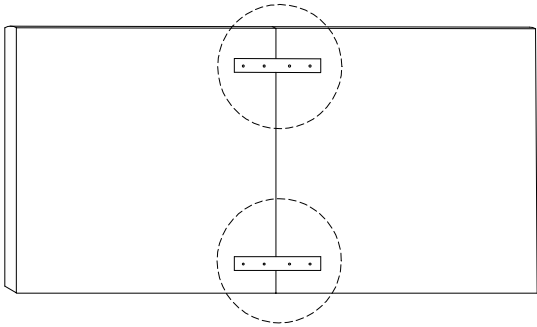
1	2	3	4	5	6	7
						
x 2	x 1	x 1	x 1	x 6	x 1	x 2




8	A	B	C	D	E
		 M8 x 25	 M8 x 45	 M6 x 20	
x 28	x 1	x 28	x 2	x 2	x 2
F	G	H	I	J	K
					
x 4	x 2	x 14	x 28	x 1	x 1

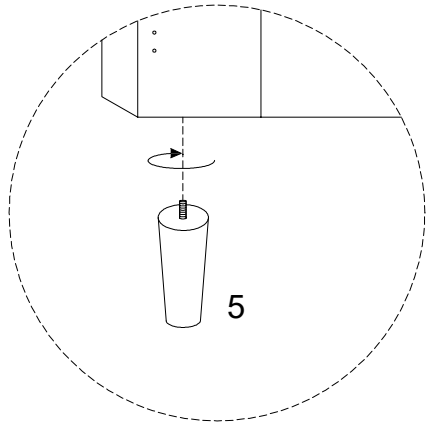
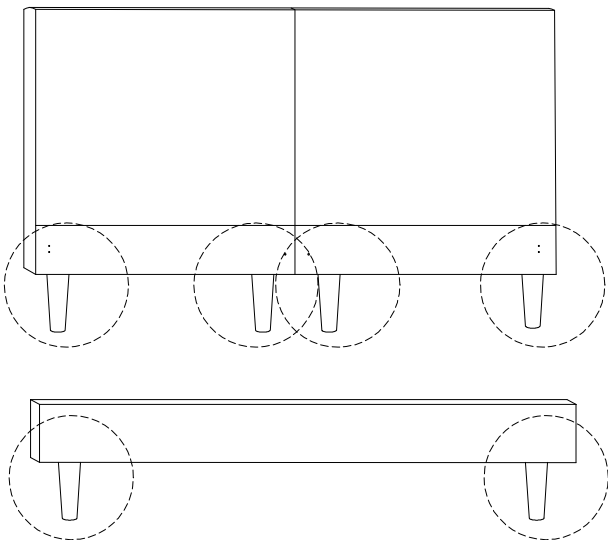
1

<b>1</b>  x 2	<b>A</b>  x 1	<b>B</b>  M8 x 25 x 8	<b>G</b>  x 2
------------------------------------------------------------------------------------------------------	------------------------------------------------------------------------------------------------------	------------------------------------------------------------------------------------------------------------------------	--------------------------------------------------------------------------------------------------------

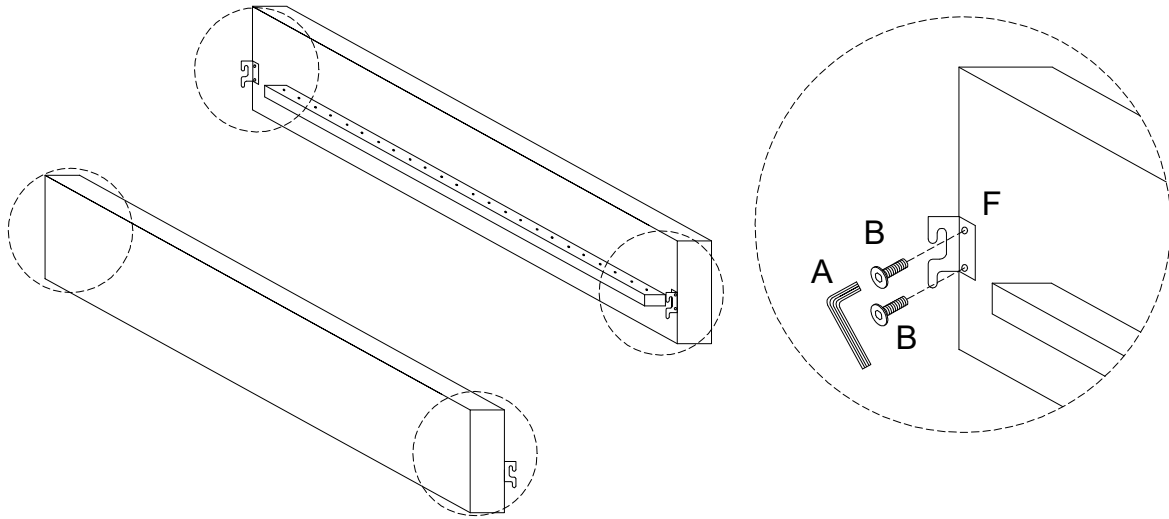
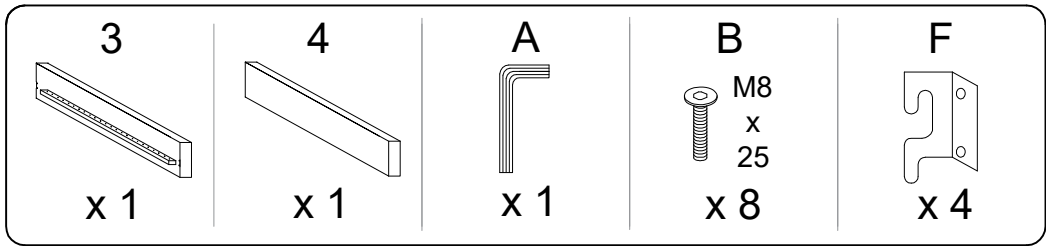


2

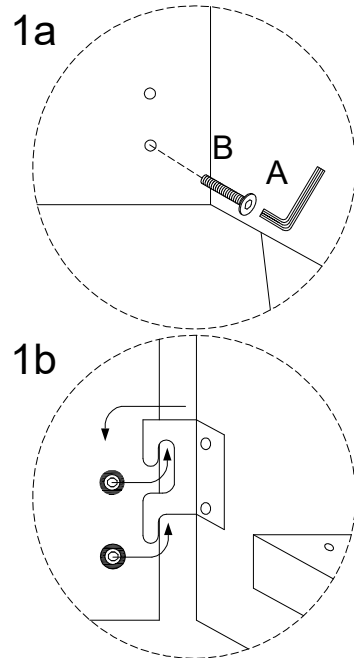
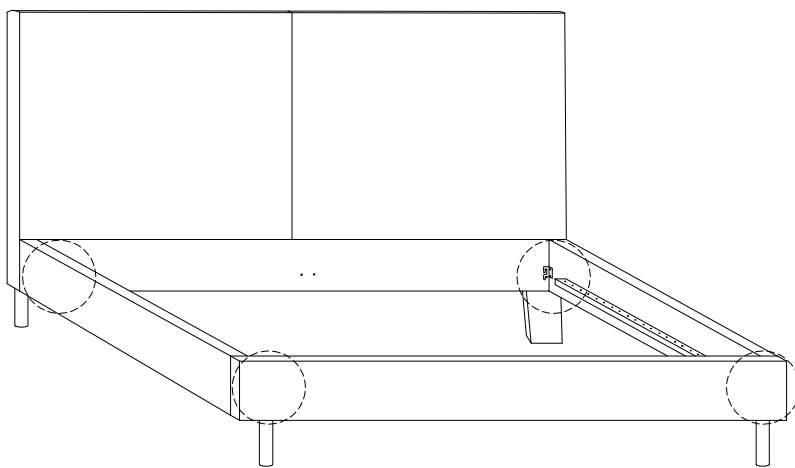
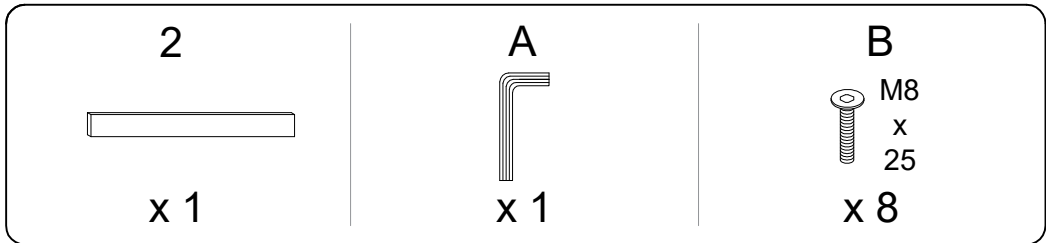
<b>5</b>  x 6
--------------------------------------------------------------------------------------------------------



3

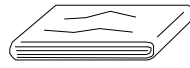


4

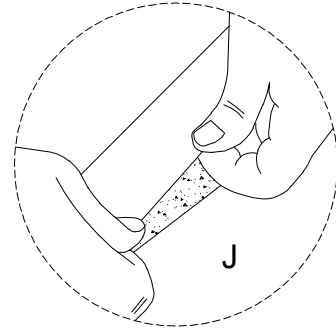
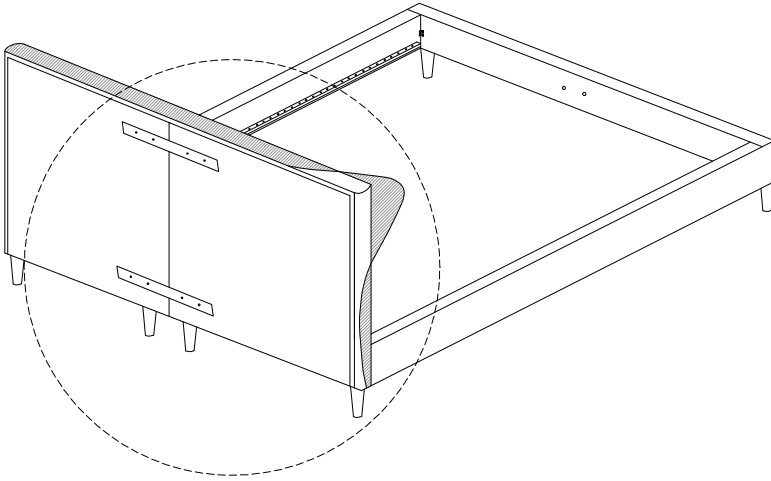


5

J

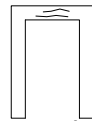


x 1

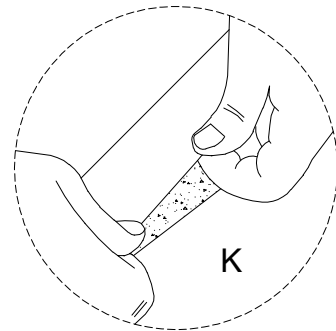
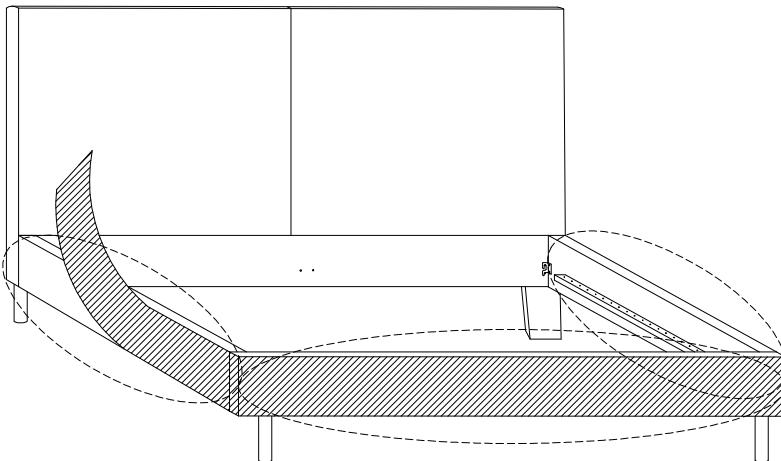


6




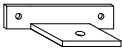
K

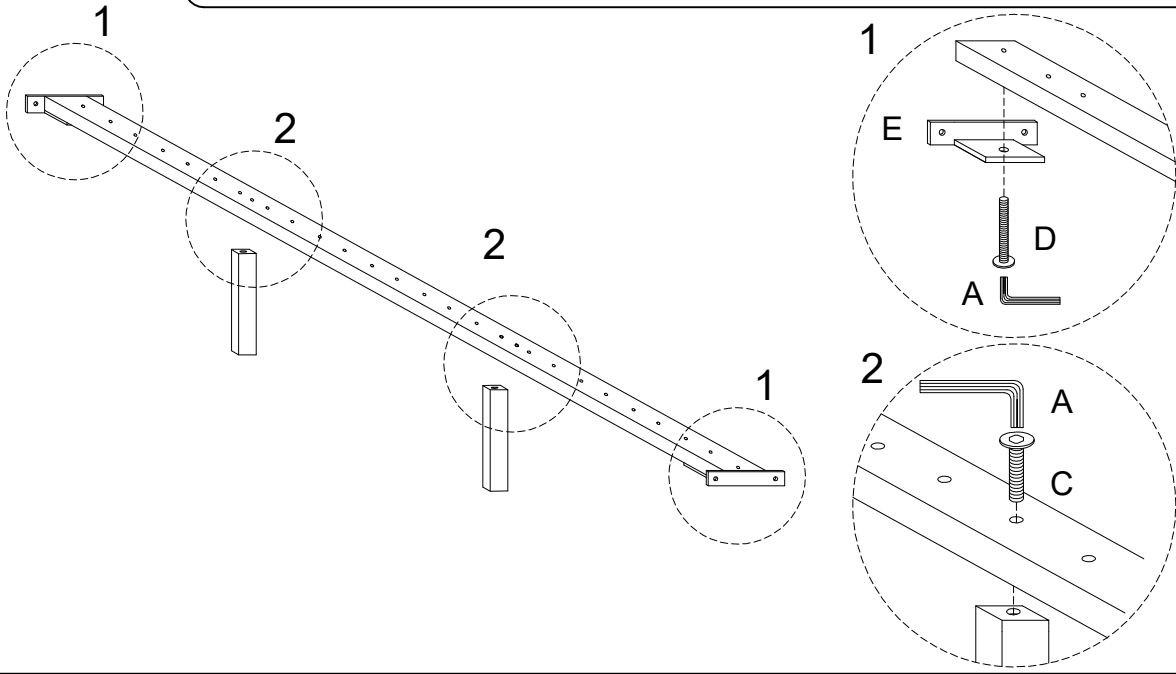


x 1




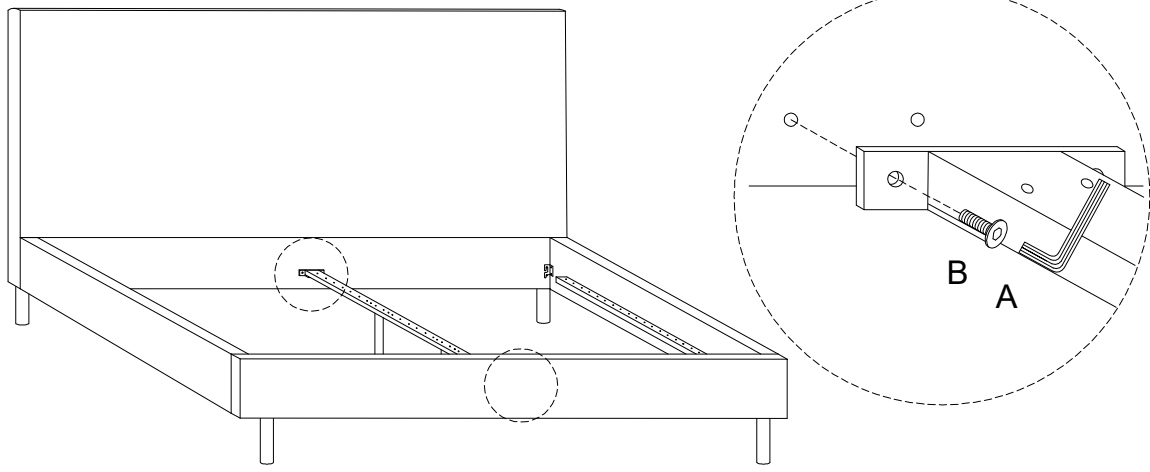
7

<b>6</b>  x 1	<b>7</b>  x 2	<b>A</b>  x 1	<b>C</b> M8 x 45 x 2	<b>D</b> M6 x 20 x 2	<b>E</b>  x 2
------------------------------------------------------------------------------------------------------	------------------------------------------------------------------------------------------------------	------------------------------------------------------------------------------------------------------	-------------------------------	-------------------------------	--------------------------------------------------------------------------------------------------------

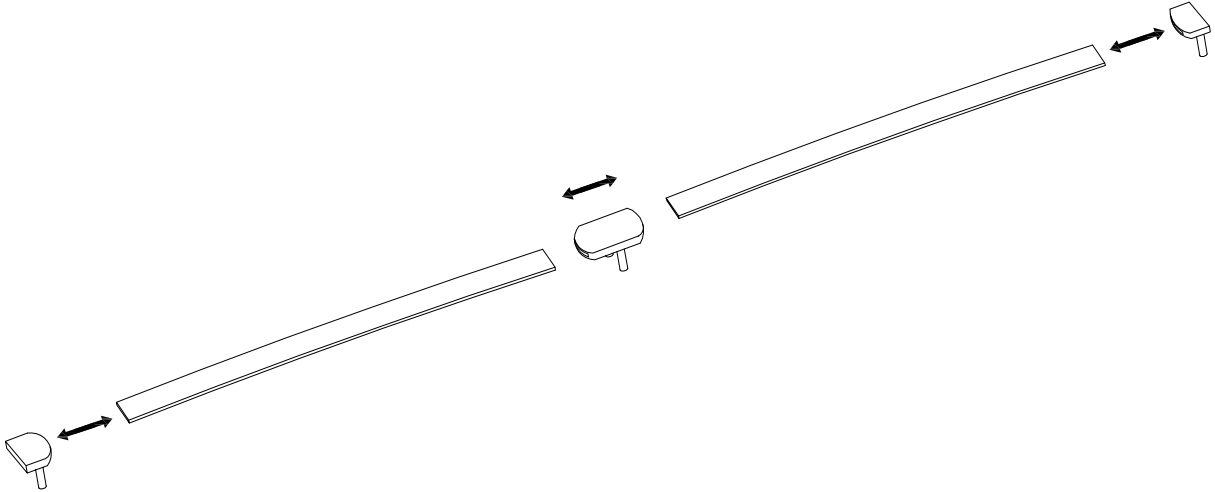
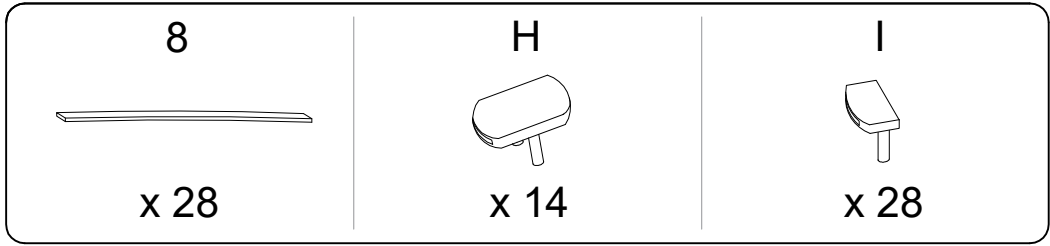


8

<b>A</b>  x 1	<b>B</b> M8 x 25 x 4
--------------------------------------------------------------------------------------------------------	-------------------------------



9



10

